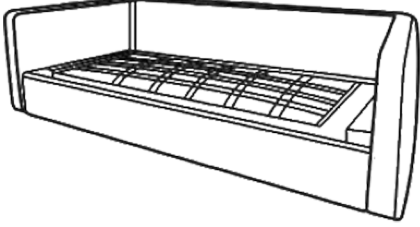





ASSEMBLY INSTRUCTION FOR ACME FURNITURE

MODEL#LV03615

Thank you for purchasing the quality product. Be sure to check all packing material carefully for small parts which may have come loose inside the carton during shipment. Separate, Identify and count all parts and metal hardware. Compare with all parts listed to be sure all parts are present. If any part(s) are missing or damaged, please contact your local furniture dealer. For efficient and speedy service, please indicate the model number and code letter of part(s) needed.

COMPONENT PARTS		
DESCRIPTION	PART NAME	Q'TY(PCS)
① Seat		1 PC
② Backrest		1 PC

HARDWARE REQUIRED

A: Leg x4 
B: 4mm Hexwrench x1 

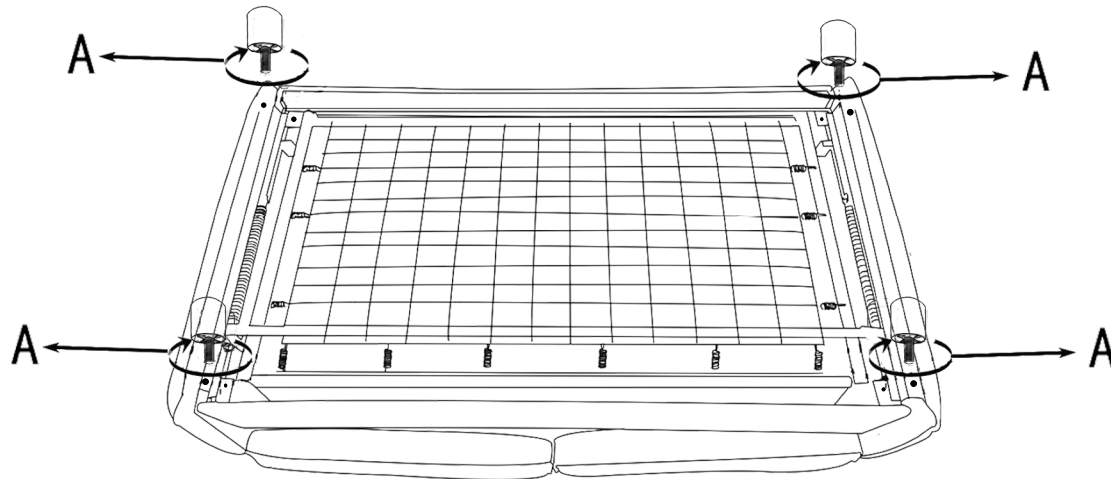
Attention

***Some number parts listed on the instruction sheet may not be in parts bag as they may be assembled. Carefully check parts and packing materials prior to ordering replacements. ***

HOW TO ASSEMBLE:

STEP 1 Assemble the legs

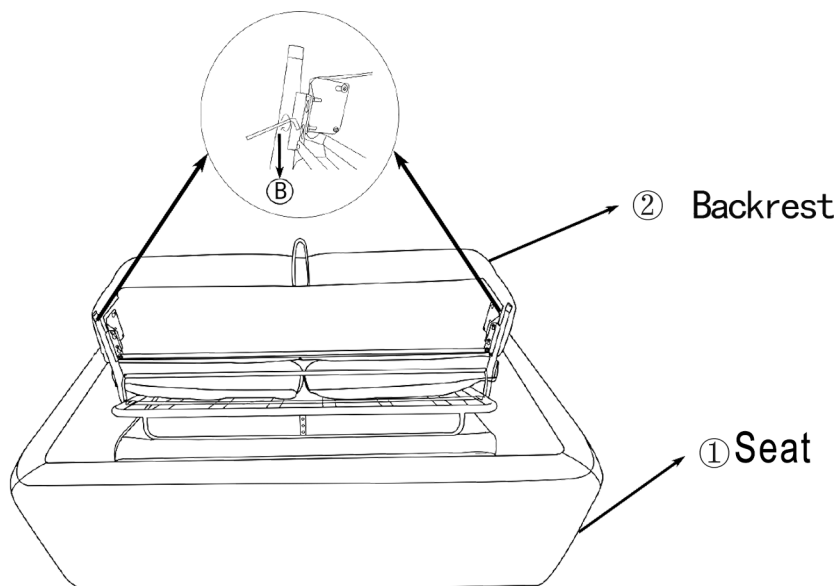
Open the carton from bottom, take out the legs from the mechanism, assemble as below instruction:



Note: Install the feet in the outer holes (bottom of armrests).
Do NOT install in the inner holes (bottom of metal frame).

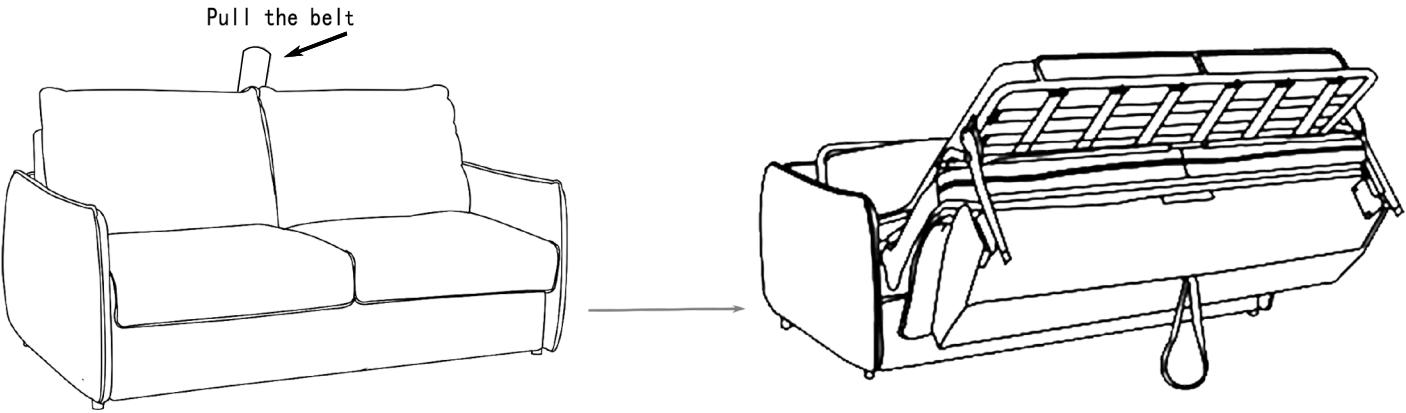
STEP 2 Assemble the backrest

Tighten the screws as below instruction:



HOW TO OPEN /CLOSE

Open the sofa bed



Close the sofa bed

