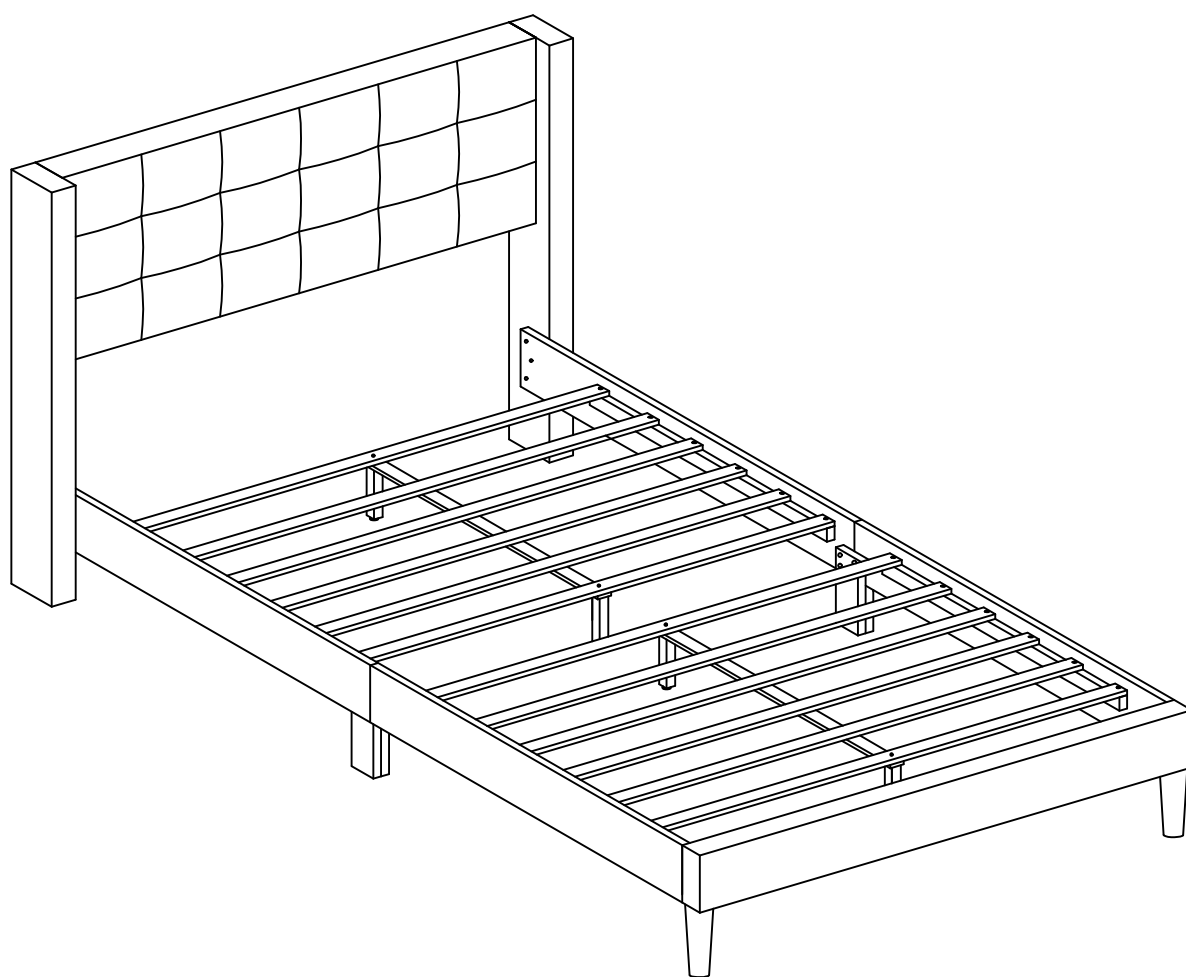
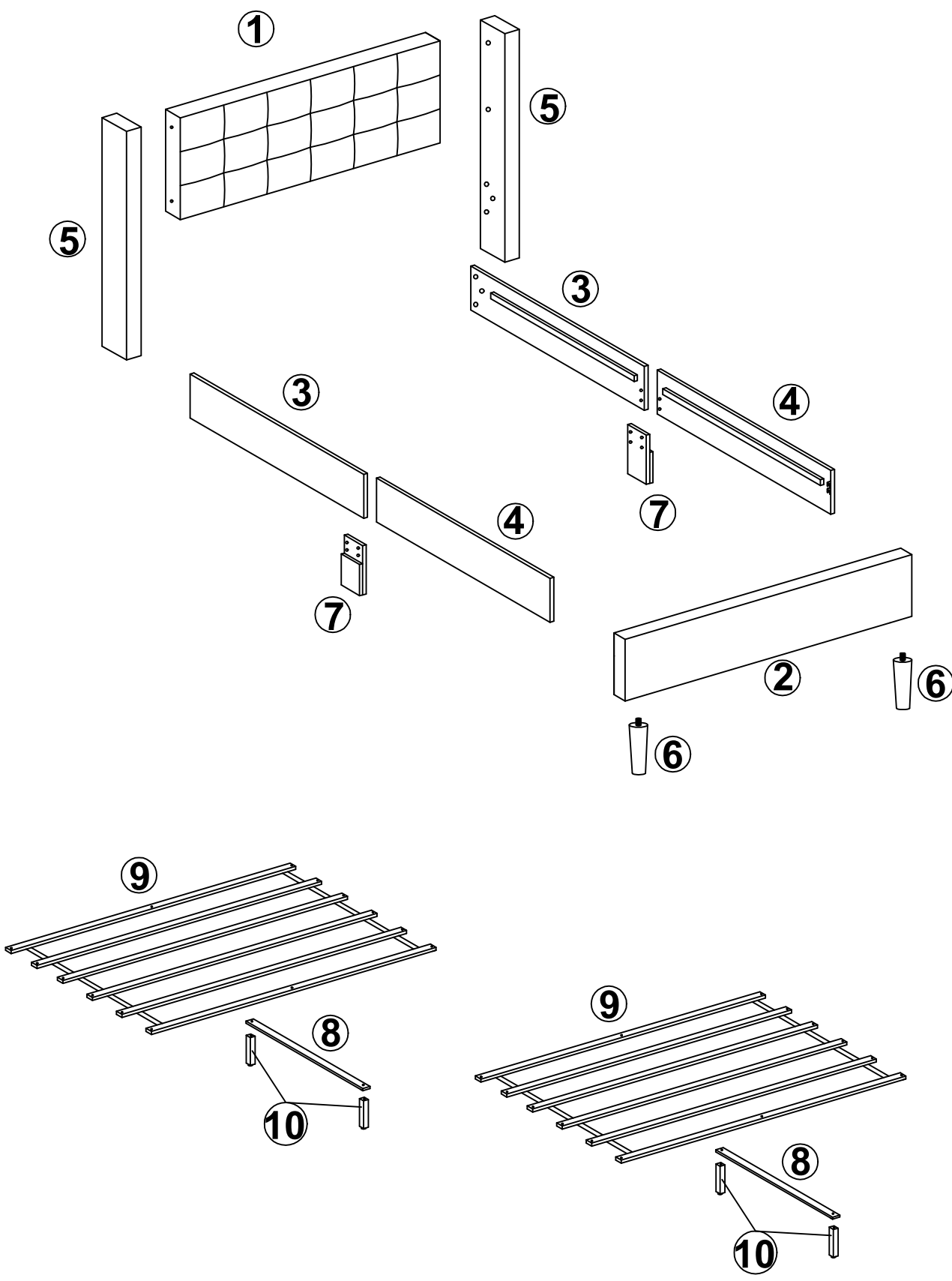


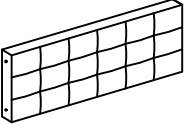
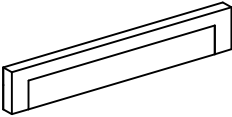
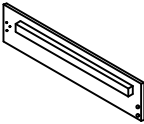
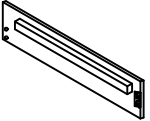


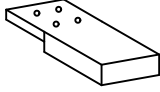
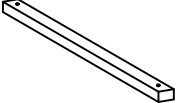
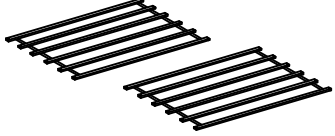

ASSEMBLY INSTRUCTIONS



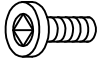
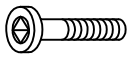
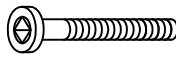
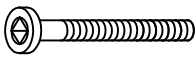
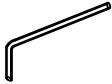
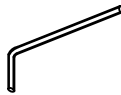


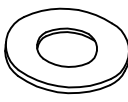
Detail View



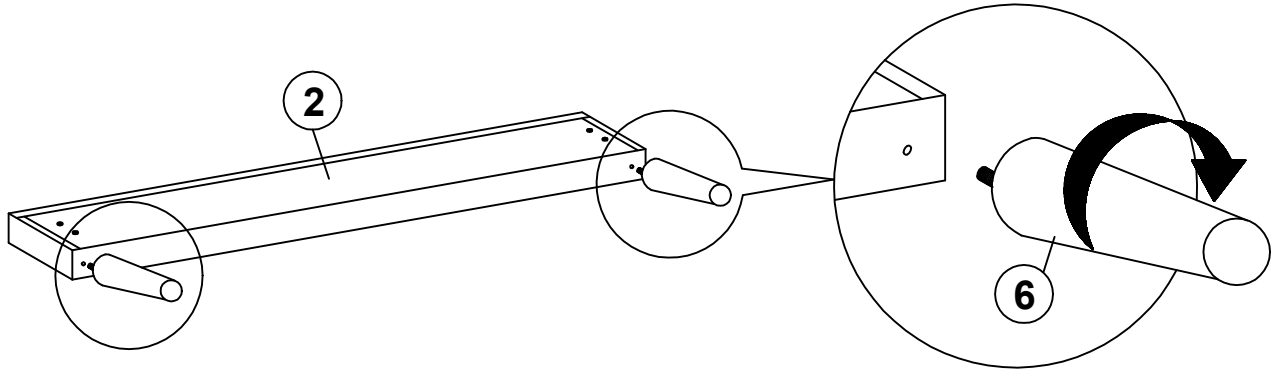
Part List & Hardware List

1 	2 	3 
Headboard - 1pc	Footboard - 1pc	Side Rail (L/R) - 2pcs
4 	5 	6 
Side Rail (L/R) - 2pcs	Side Wing (L/R) - 2pcs	Footboard Leg - 2pcs
7 	8 	9 
Side Rail Support Leg - 2pcs	Center Rail - 2pcs	Slat 6 roll - 2pcs
10 		
Support Leg - 4pcs		

Hardware List

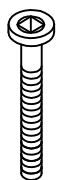


A  Ø1/4"*20mm Hex-Head bolt (4pcs)	B  Ø1/8"*30mm Hex-Head bolt (8pcs)	C  Ø1/8"*50mm Hex-Head bolt (10pcs)
D  Ø1/8"*60mm Hex-Head bolt (4pcs)	E  65mm Allen key (1pc)	F  70mm Allen key (1pc)
G  #4*32mm Screw (24pcs)	H  M6 Spring Washer (10pcs)	I  M6 Flat Washer (18pcs)

Step 1:

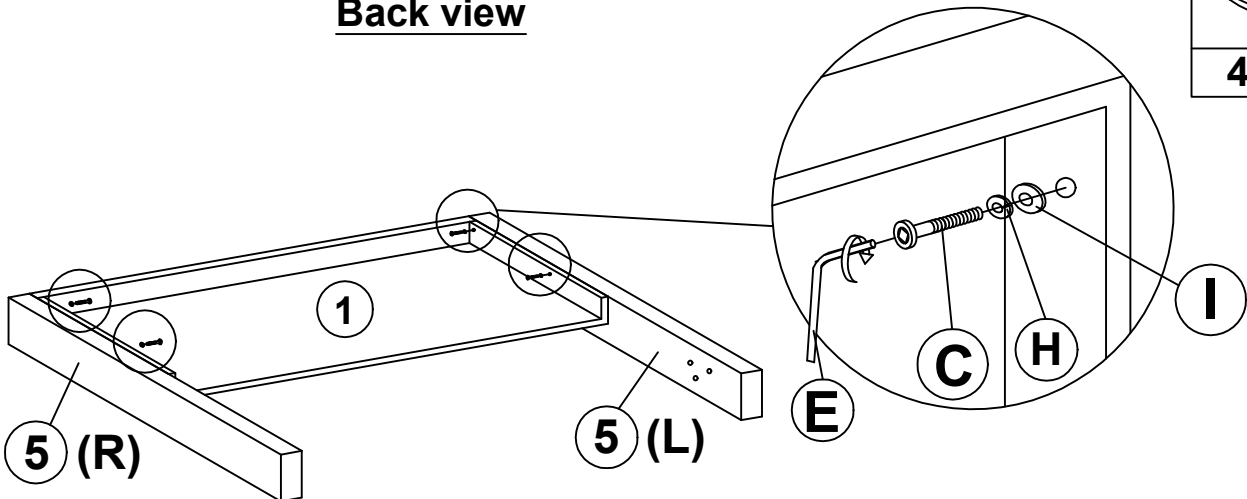


Back view

Step 2:

C		H	
4pcs		4pcs	
		I	
		4pcs	

Back view

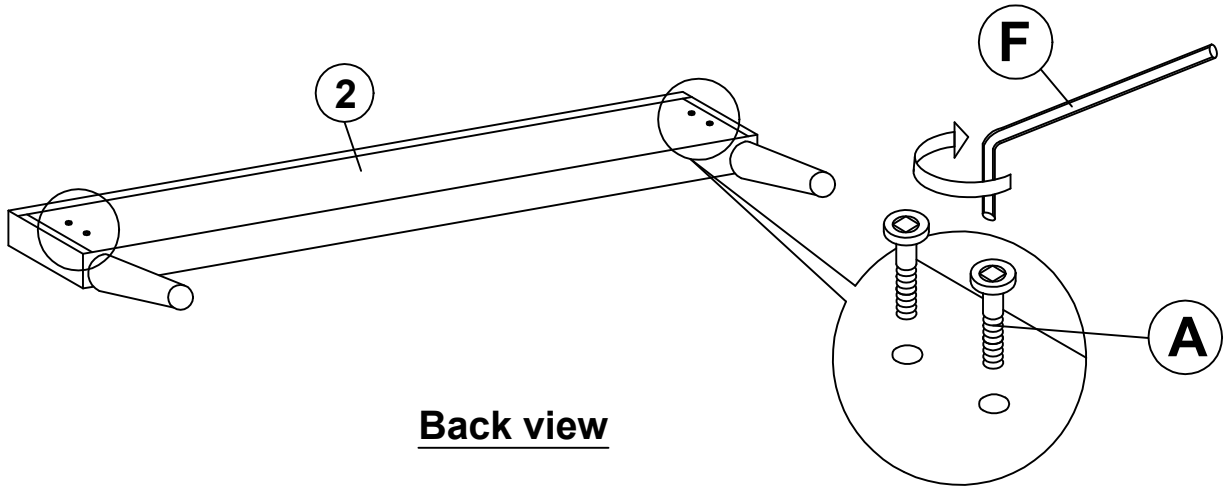


Step 3:

A

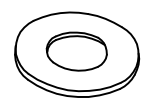


4pcs



Step 4:

I

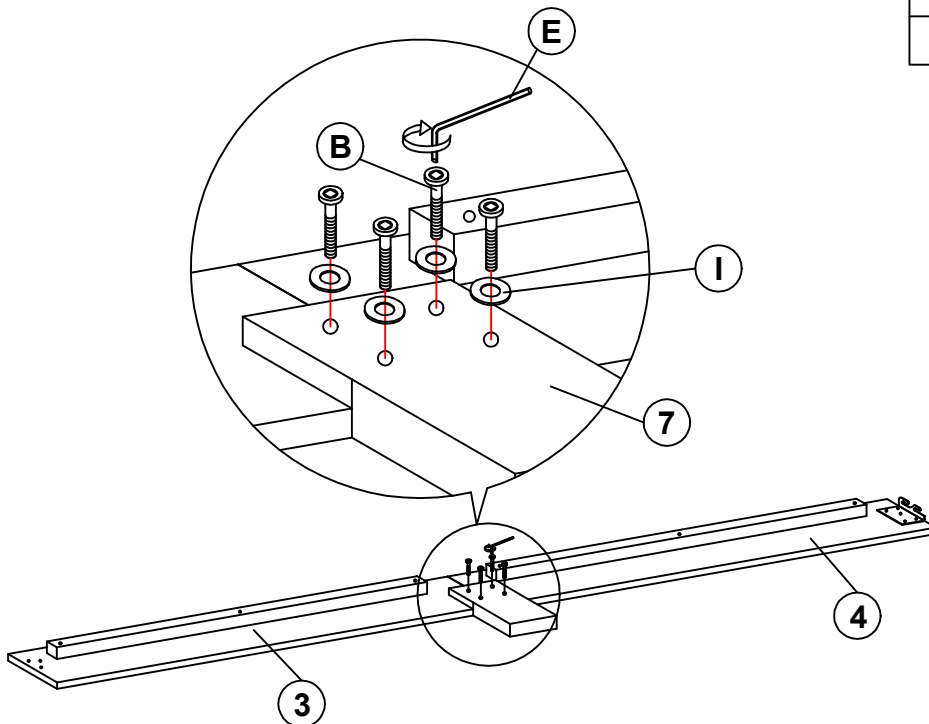


8pcs

B


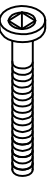
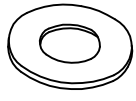


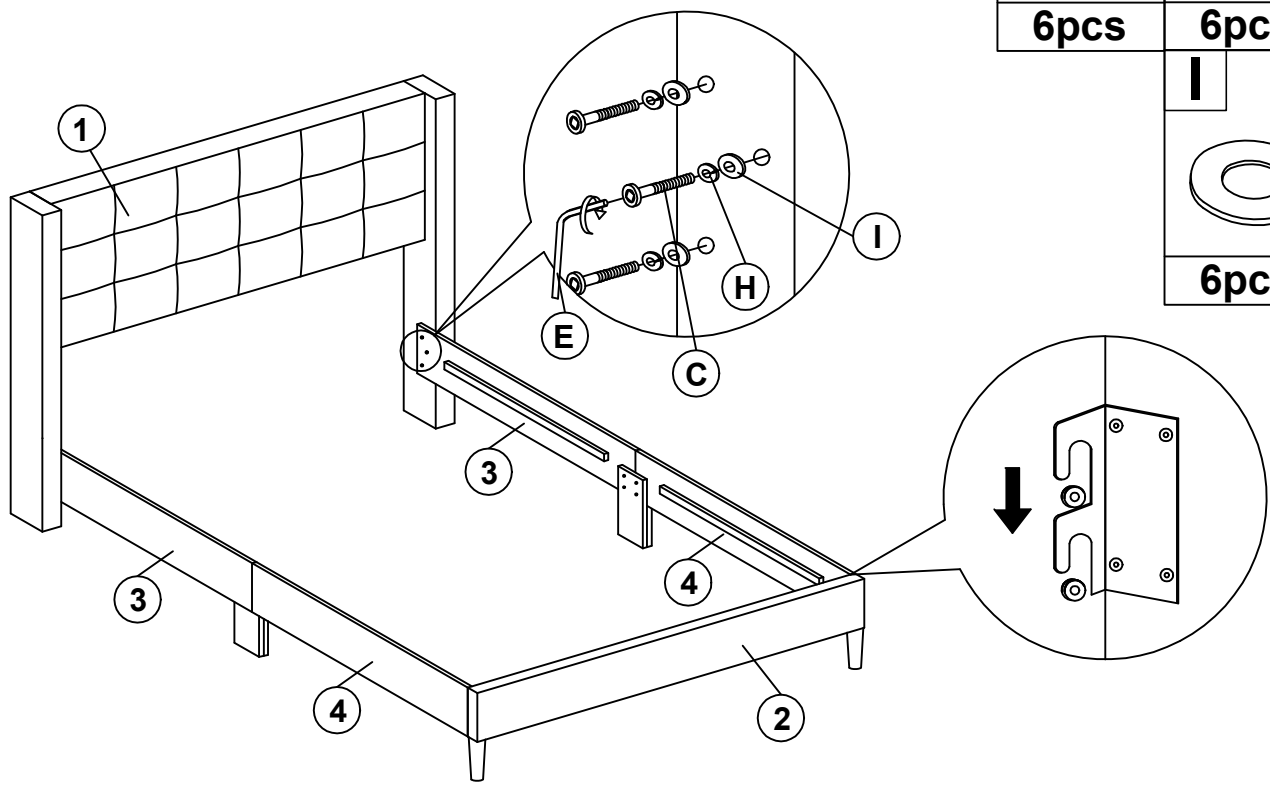
8pcs



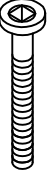
x2

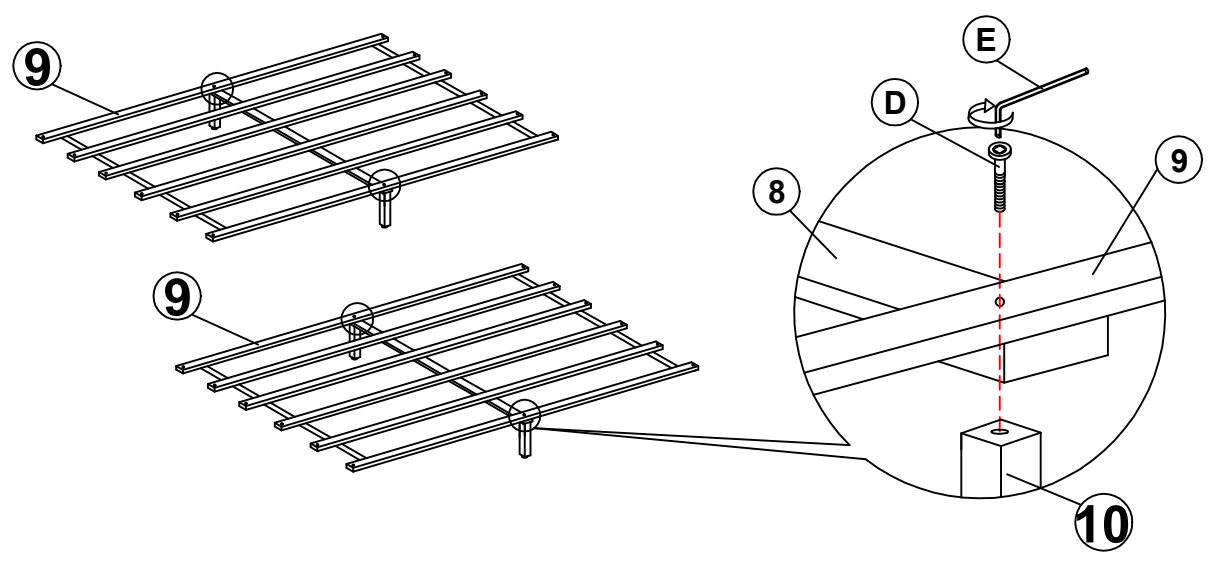
Step 5:

H	C
	
6pcs	6pcs
	I
	
	6pcs



Step 6:

D

4pcs

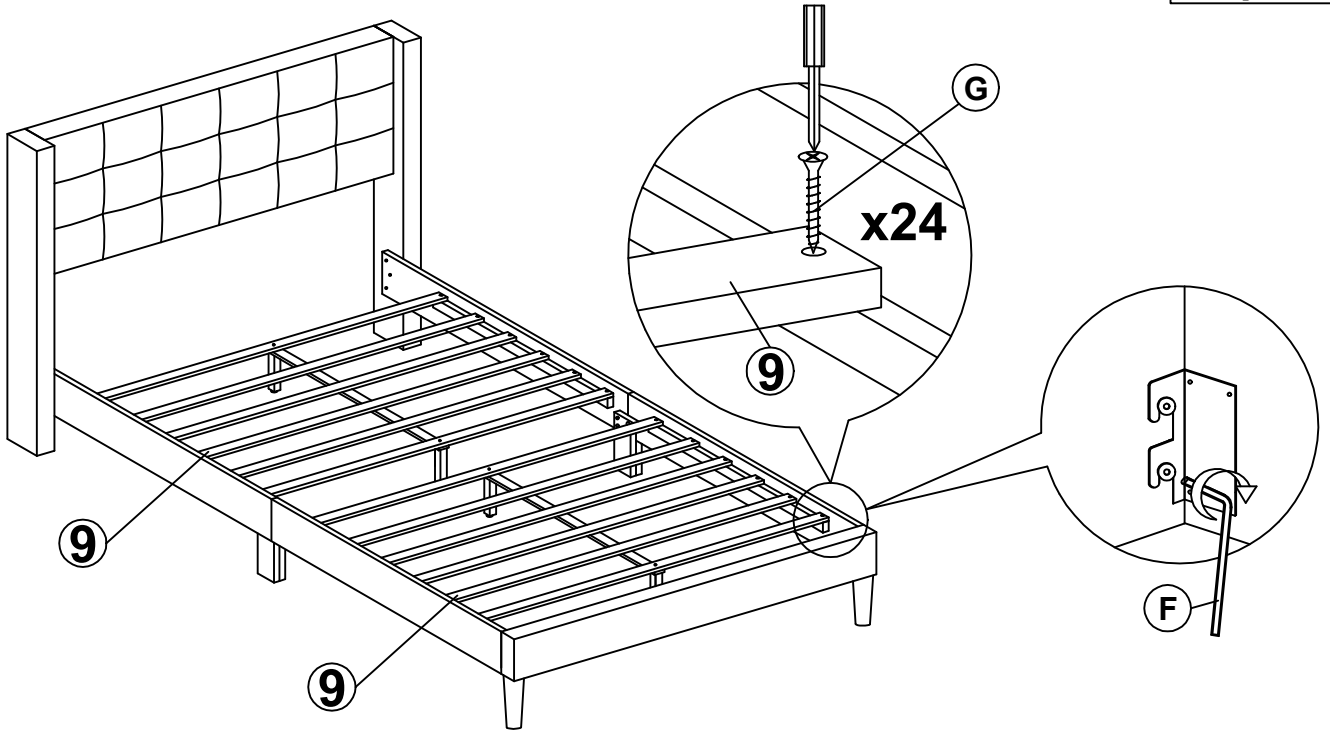


Step 7:

G



24pcs



Step 8:

