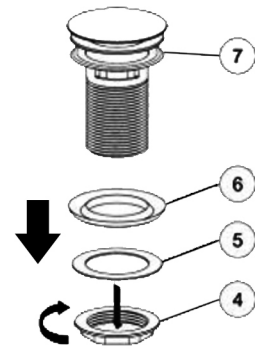
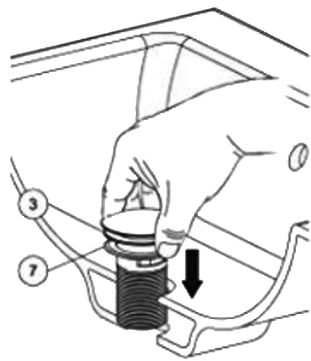


Clockwise rotate and take off tailpiece as picture show

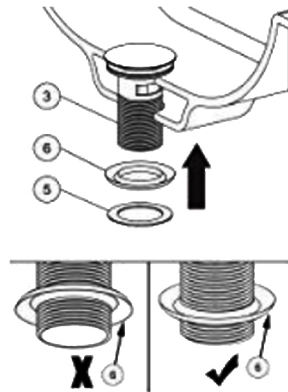


Clockwise rotate and take off nut and gaskets as picture show

Note: Please make sure the gaskets ⑥ and ⑦ are in the right position to avoid leakage

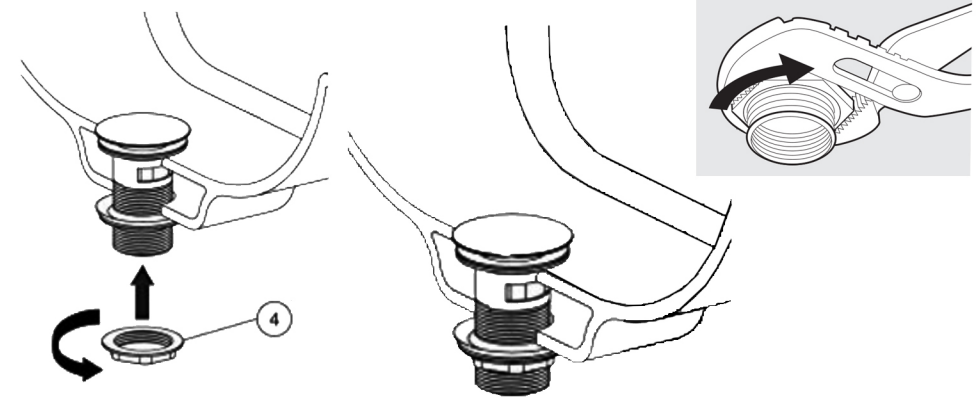


Put the pop up part into sink hole



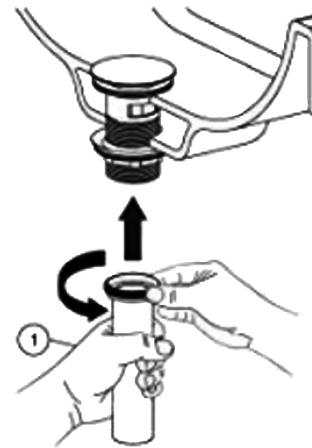
Put the gaskets ⑥ and ⑤ onto the thread of the pop up part as the arrows show

Note: Make sure gasket ⑥ shape is as shown in image

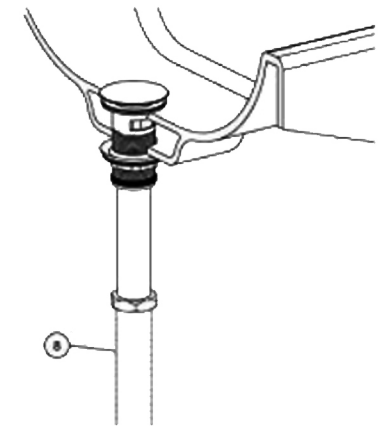


Counterclockwise rotation to install nut

Use a wrench to tighten nut



Counterclockwise rotation to install tailpiece



Installation finished

Have a question? DON'T RETURN, WE CAN HELP!  
Just send an email to [shamanda2@hotmail.com](mailto:shamanda2@hotmail.com)

Installation Support  
Missing Parts  
Damaged Product

[shamanda2@hotmail.com](mailto:shamanda2@hotmail.com)

