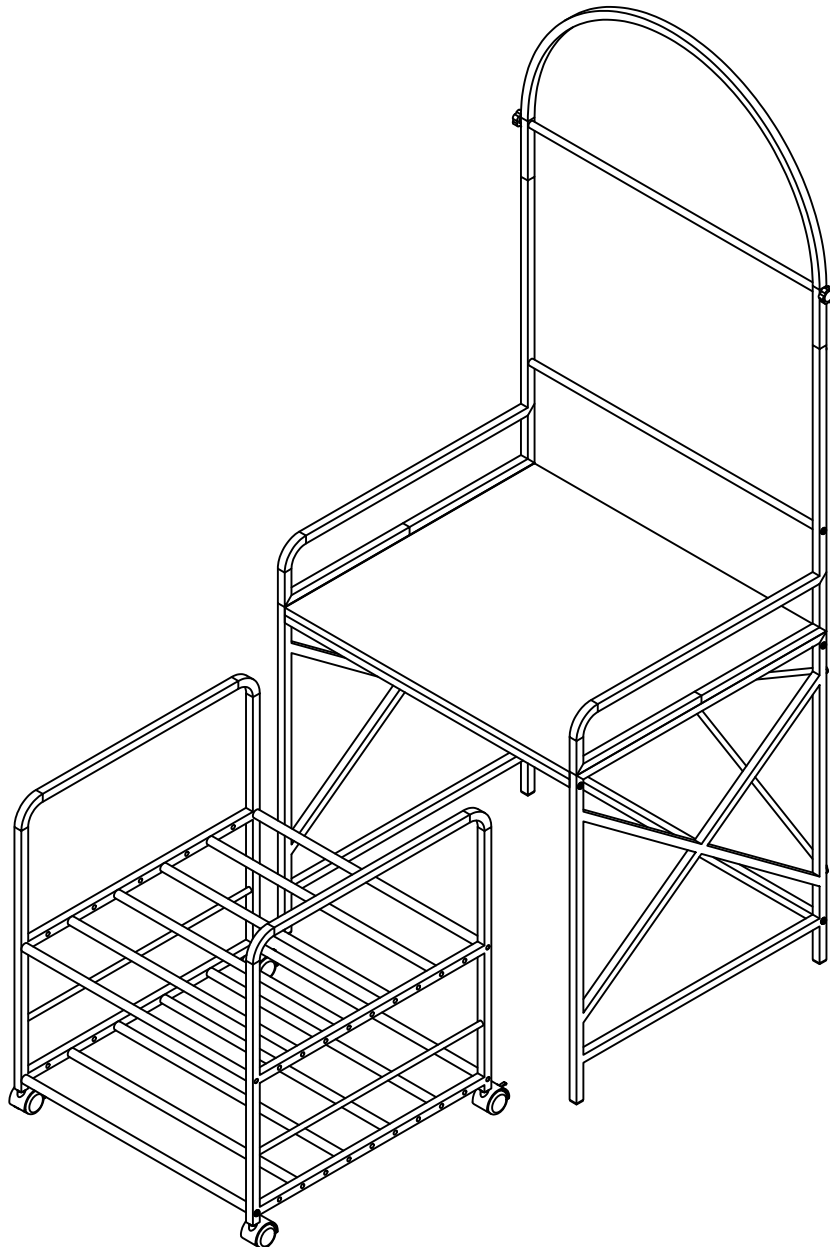


ASSEMBLY INSTRUCTION



BEFORE YOU START: IMPORTANT SAFETY & ASSEMBLY INSTRUCTIONS

NEED HELP? CONTACT US FIRST! If you encounter any issues during assembly—such as damaged packaging, missing components, or broken parts—**please contact our seller support team on the e-commerce platform immediately.** *Please refer to the parts list to identify the specific part numbers when contacting us.*

Note: Reaching out to us directly allows for a faster resolution than rushing to return the product.

⚠ WARNING: SAFETY NOTICE

- **CHOKING HAZARD:** This unit contains small parts suitable only for adult assembly. Keep all parts away from children under 3 years of age.
- **ADULT ASSEMBLY REQUIRED:** All parts should be permanently affixed as intended. Unused parts should be discarded properly.

ASSEMBLY TIPS & BEST PRACTICES

- **Two People Required:** For ease and safety, we recommend asking a friend to assist with assembly.
- **Protect Your Floor:** Assemble the unit on a carpeted floor or the empty carton box to avoid scratches.
- **Use Proper Tools:** Ensure you have the correct tools before starting.
- **Follow Instructions:** Carefully review the parts list and follow the steps in order. **DO NOT SKIP ANY STEPS.**

CARE & MAINTENANCE

- Keep these instructions for future reference.
- Periodically check to ensure that all connectors (bolts, screws, etc.) remain tight.

DISCLAIMER We disclaim any liability for damages or injuries that may occur due to failure to properly follow assembly instructions, properly assemble the product, or properly use the product.

ASSEMBLY INSTRUCTIONS

GENERAL GUIDE FOR STEEL-WOOD FURNITURE

IMPORTANT

Read before starting

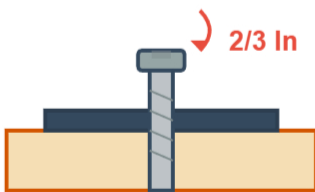


DO NOT FULLY TIGHTEN SCREWS IMMEDIATELY!

For **each component** step: Insert all screws to **2/3rds depth (approx. 70%)** first. Only tighten fully after all screws for the current part are aligned.

1

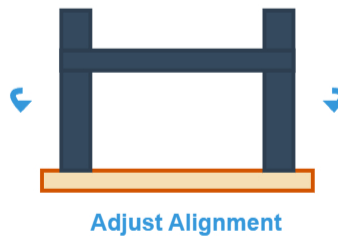
INSERT TO 2/3 DEPTH



Screw in most of the way, but do not tighten.

2

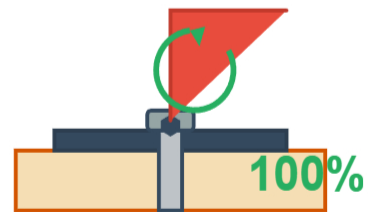
ALIGN CURRENT PART



Ensure the part is aligned and all holes match.

3

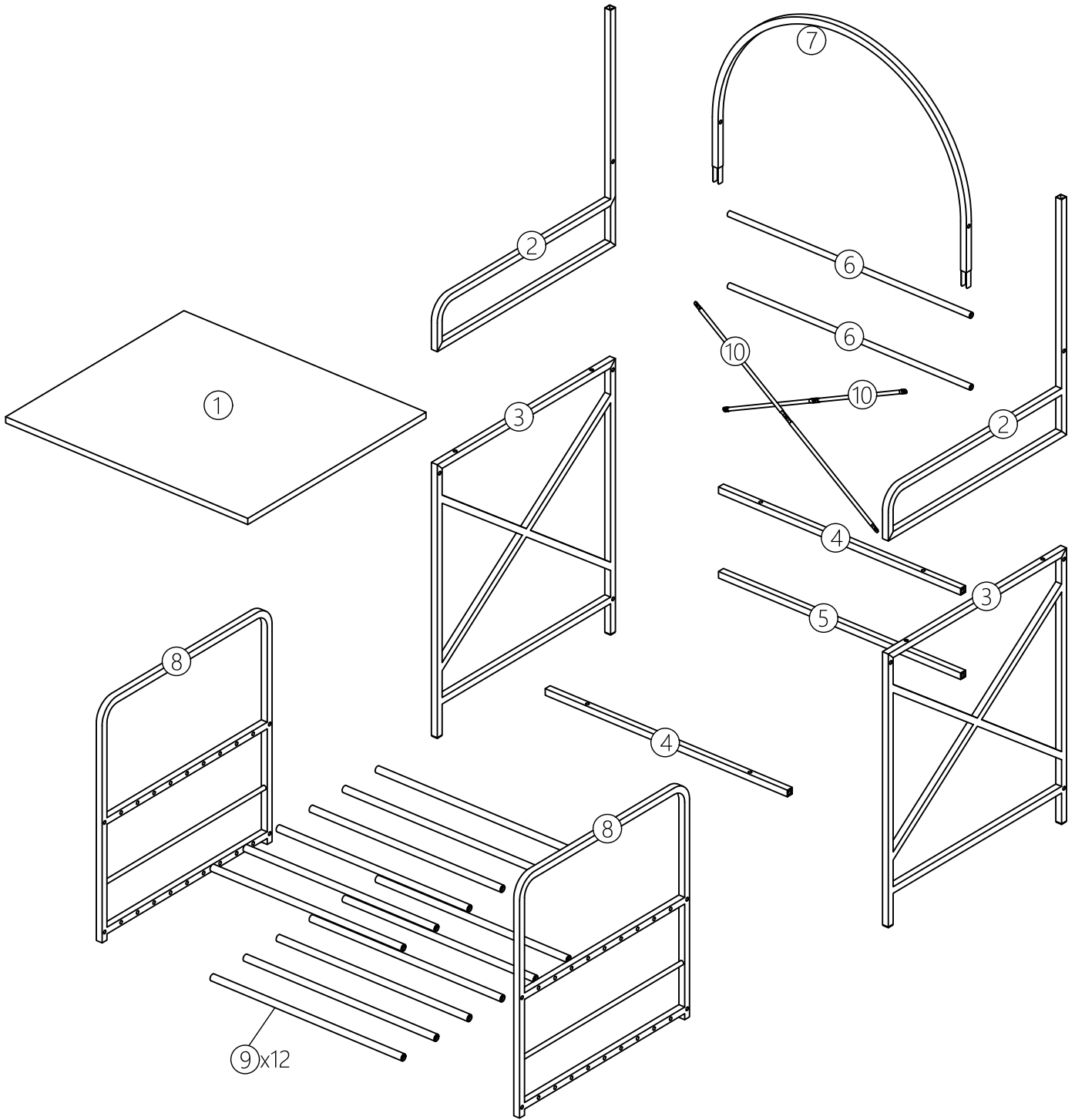
TIGHTEN & PROCEED




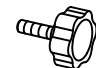
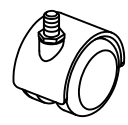
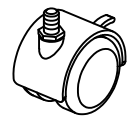








Once aligned, fully tighten screws for this part.

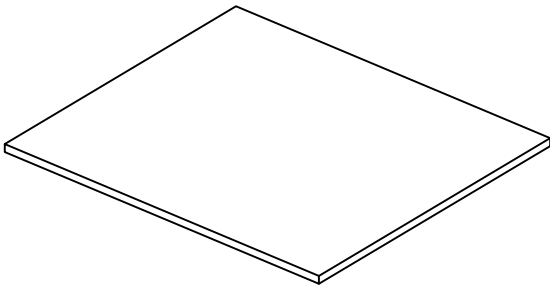
Why is this important?

Metal frames may have slight tolerances. If you fully tighten one screw immediately, the other holes on the same component may not align properly. By leaving screws loose initially (inserted to 2/3 depth), you allow the part to "settle" into the correct position. Once all screws for the current component are inserted, tighten them fully before moving to the next assembly step.

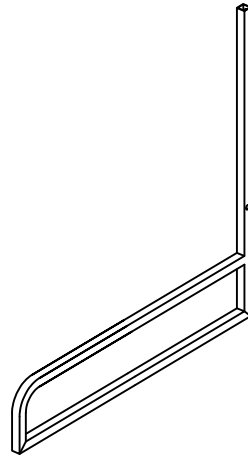


A	x 6	B	x 34+1	C	x 8	D	x 2	E	x 2	F	x 2
 M6x35		 M6x25		 M6x10		 M6x25					
G	x 1	H	x 1	I	x 1	J	x 2				
		  M6x18		 M4		 M4x30					

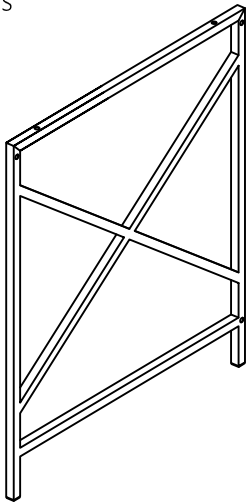
① x1pc



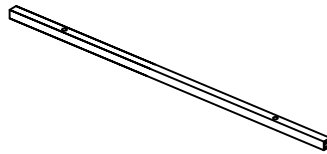
② x2pcs



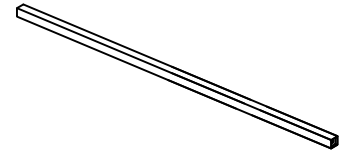
③ x2pcs



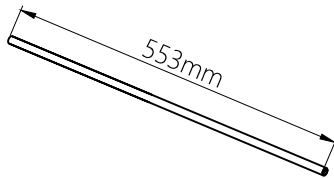
④ x2pcs



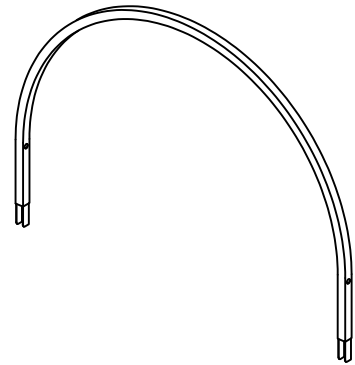
⑤ x1pc



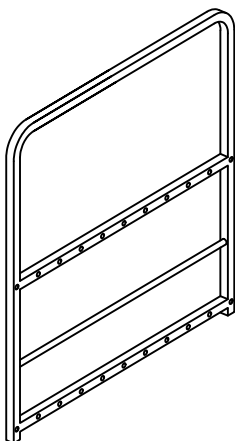
⑥ x2pcs



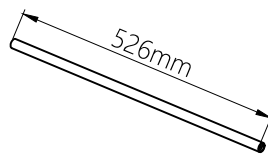
⑦ x1pc



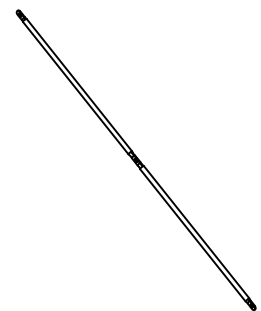
⑧ x2pcs



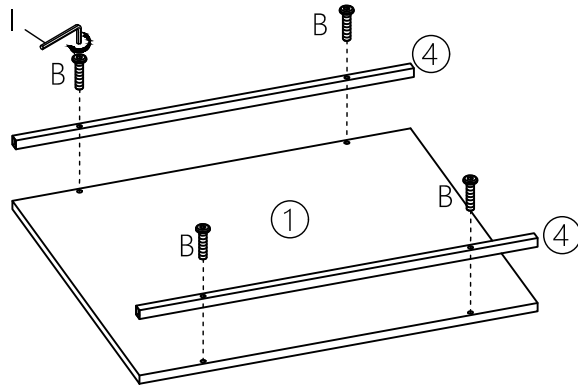
⑨ x12pcs





⑩ x2pcs

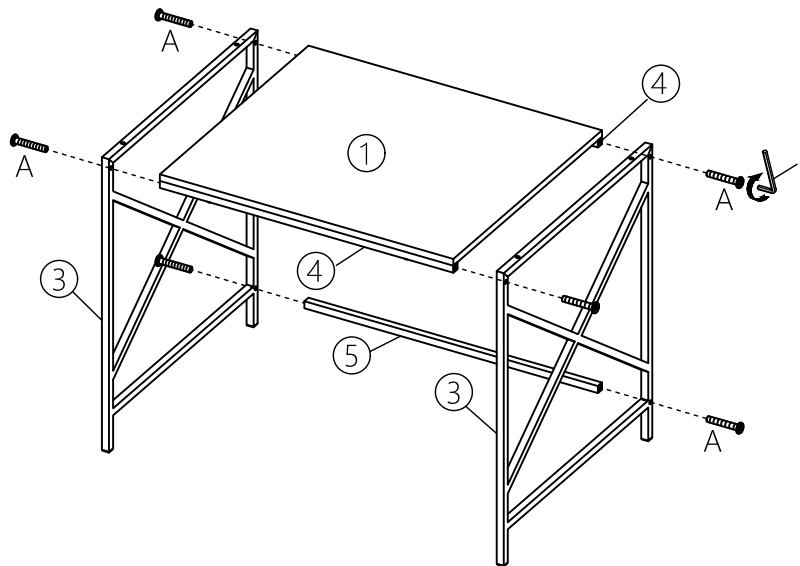


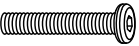

1



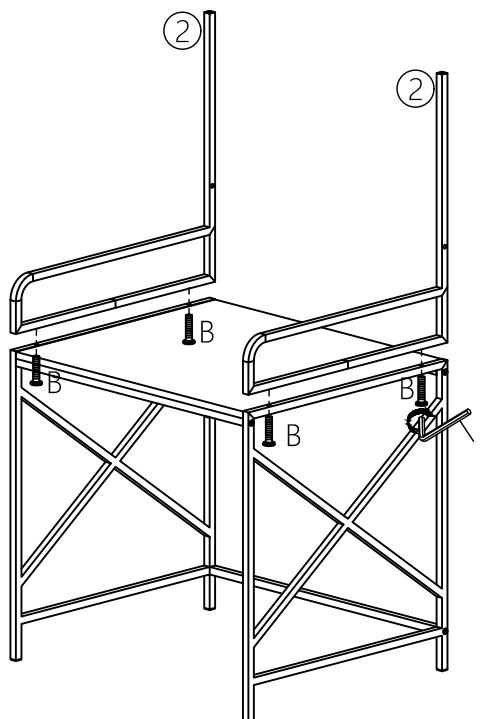
B	x 4	I	x 1
			
M6x25		M4	



2



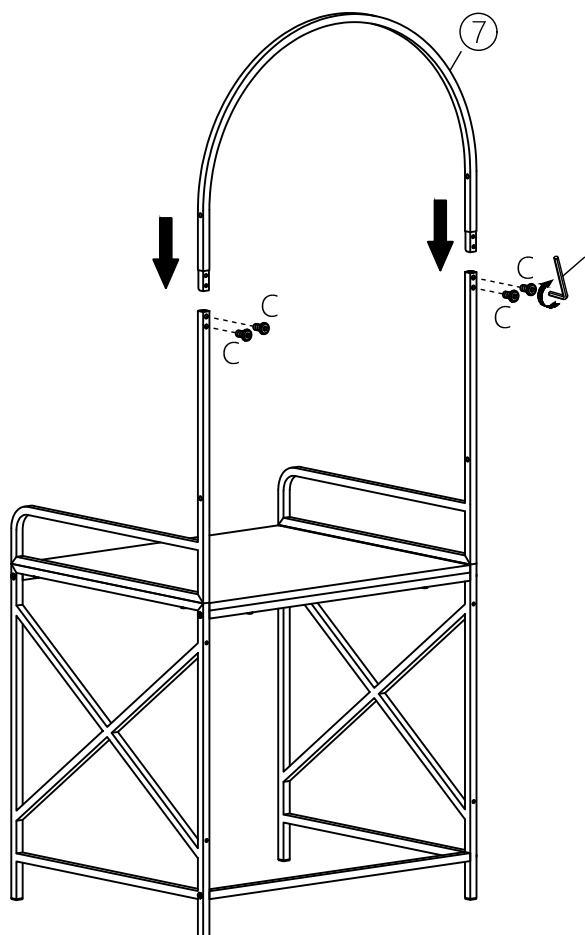
A	x 6	I	x 1
			
M6x35		M4	



3



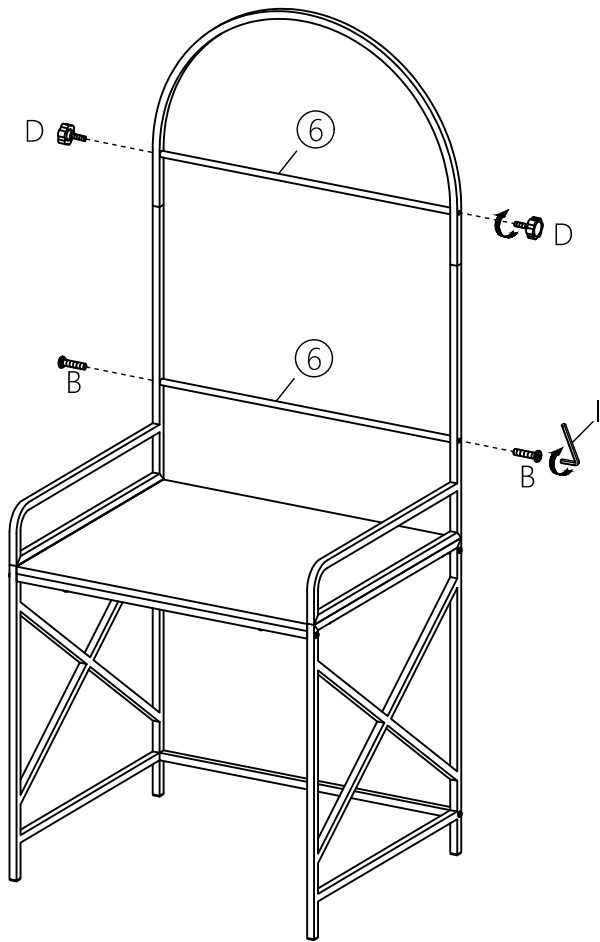
B	x 4	I	x 1
			
M6x25		M4	

4



C	x 4	I	x 1
			
M6x10		M4	

5



B x 2



M6x25

I x 1

D x 2

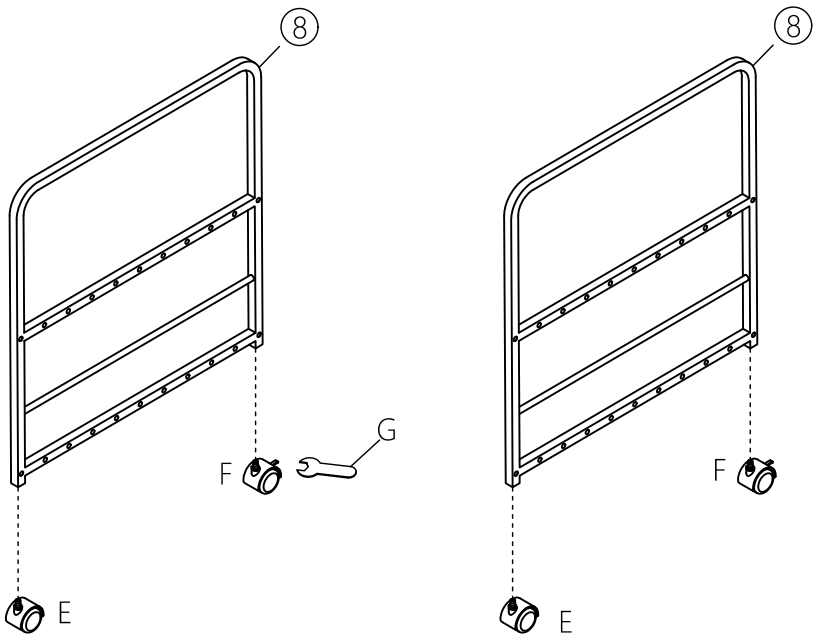


M4



M6x25

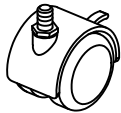
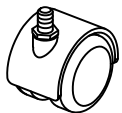
6



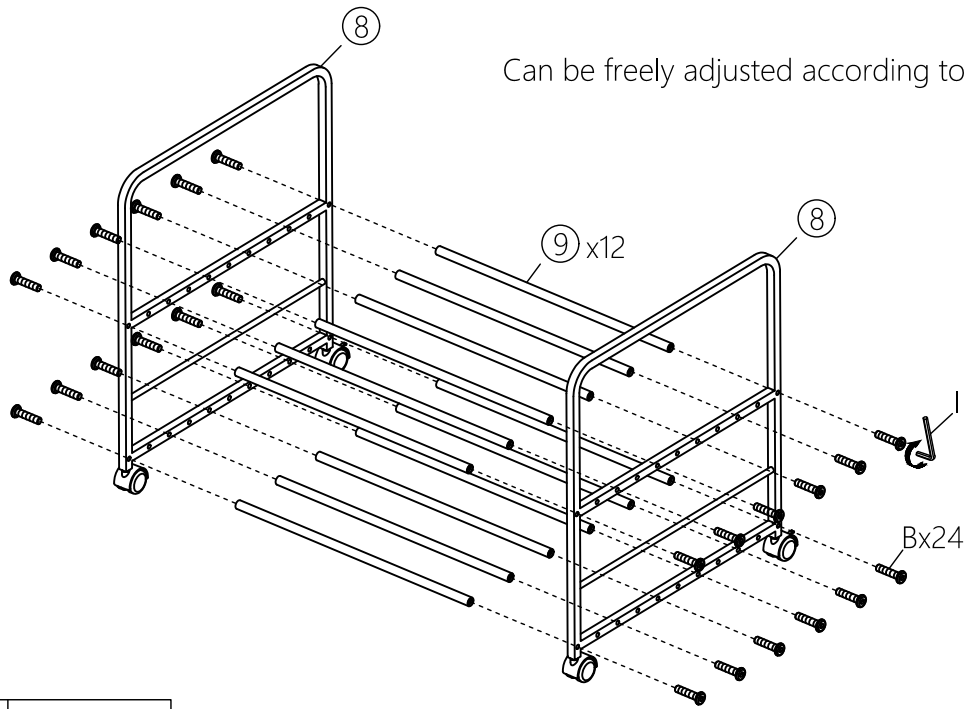
E x 2



F x 2

G x 1

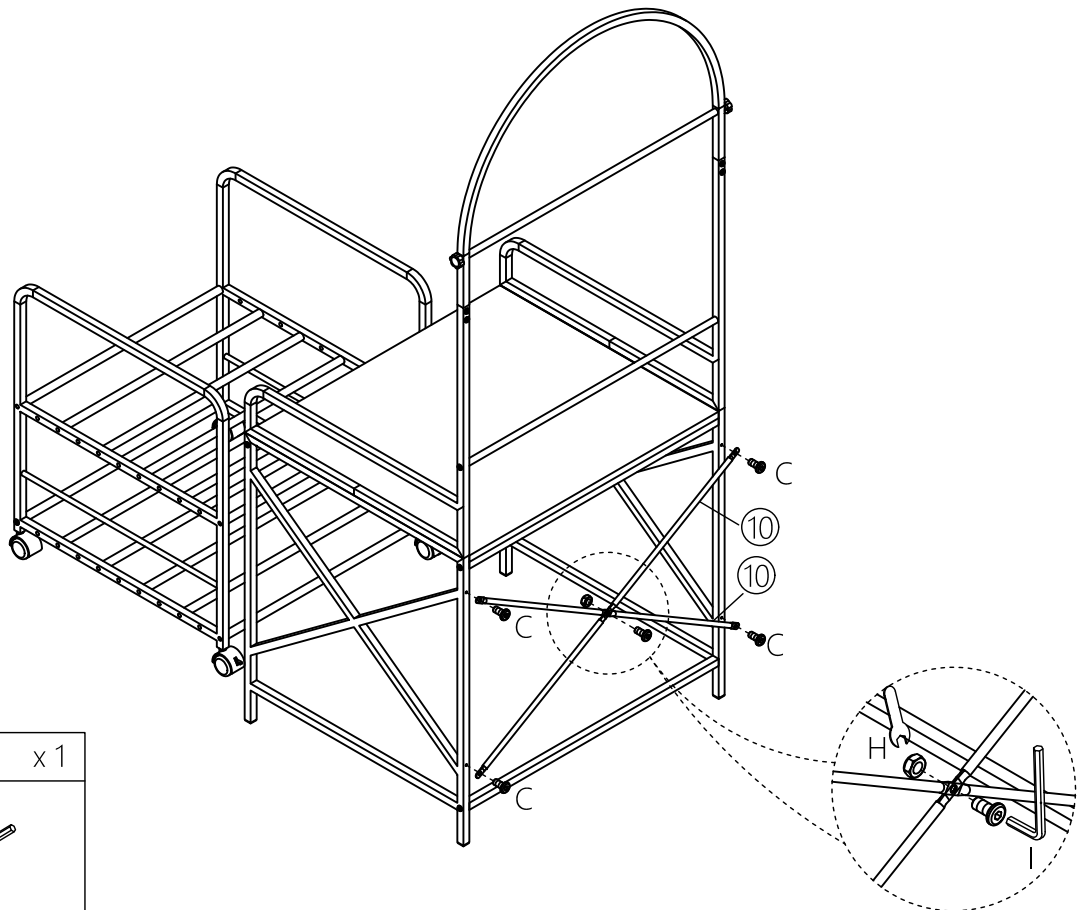


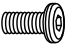
7







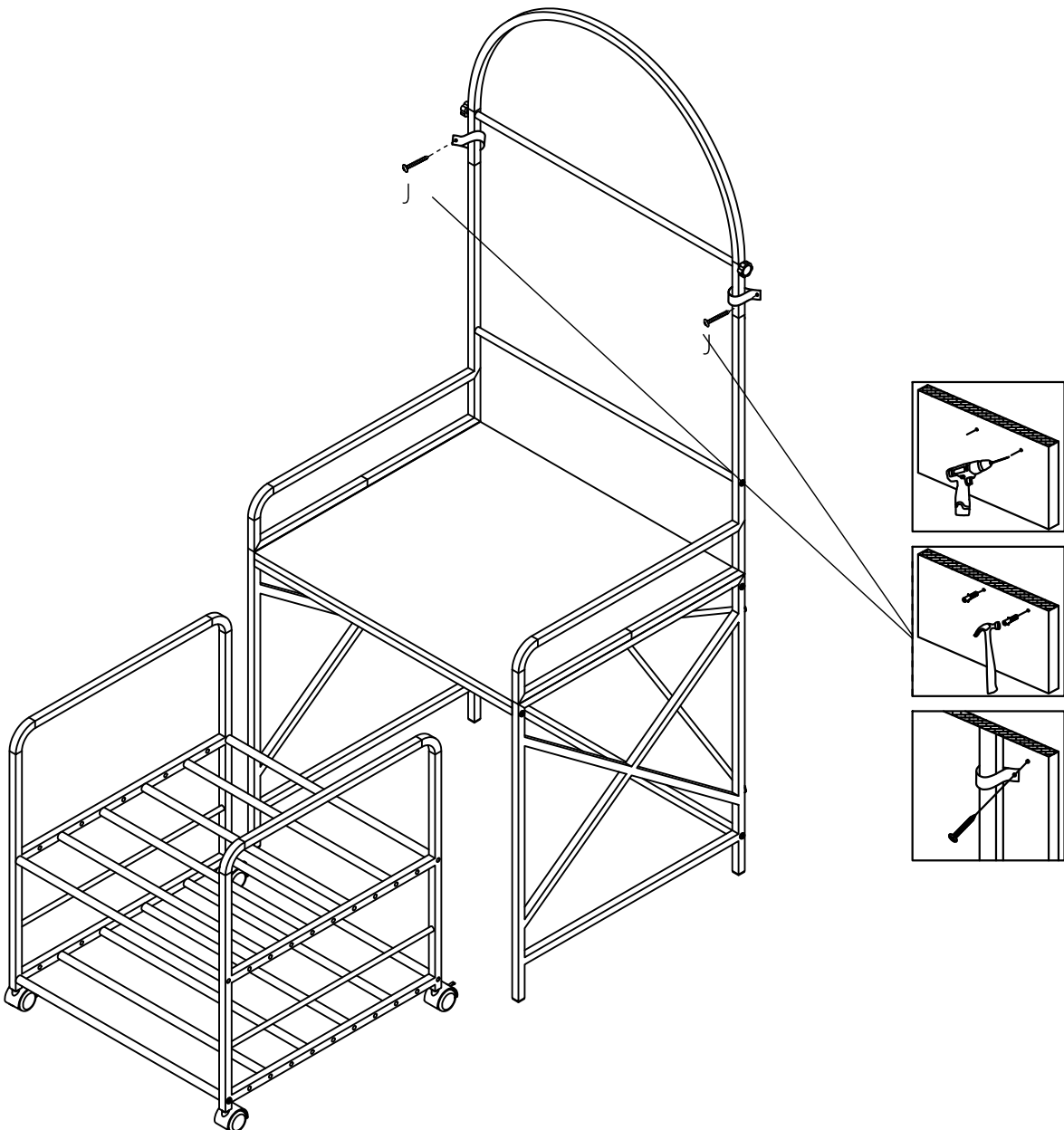
B	x 24	I	x 1
			
M6x25		M4	

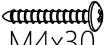
8



C	x 4
	
M6x10	

H	x 1	I	x 1
			
	M6x18	M4	



J	x 2
 M4x30	
