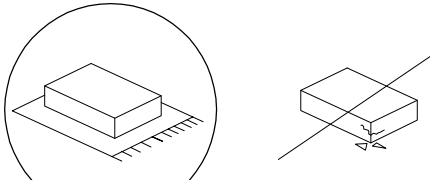
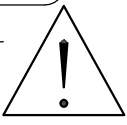
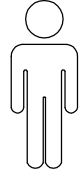
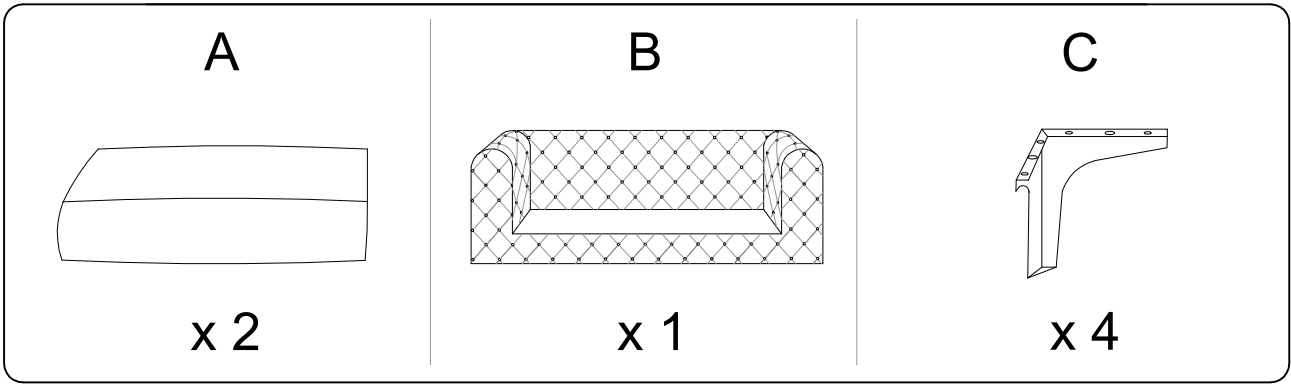
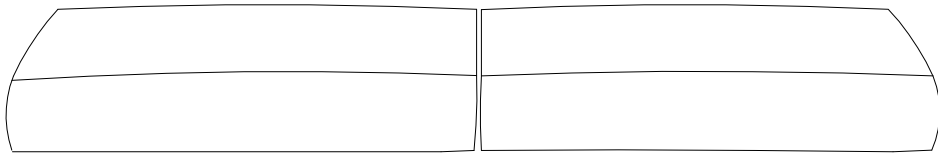
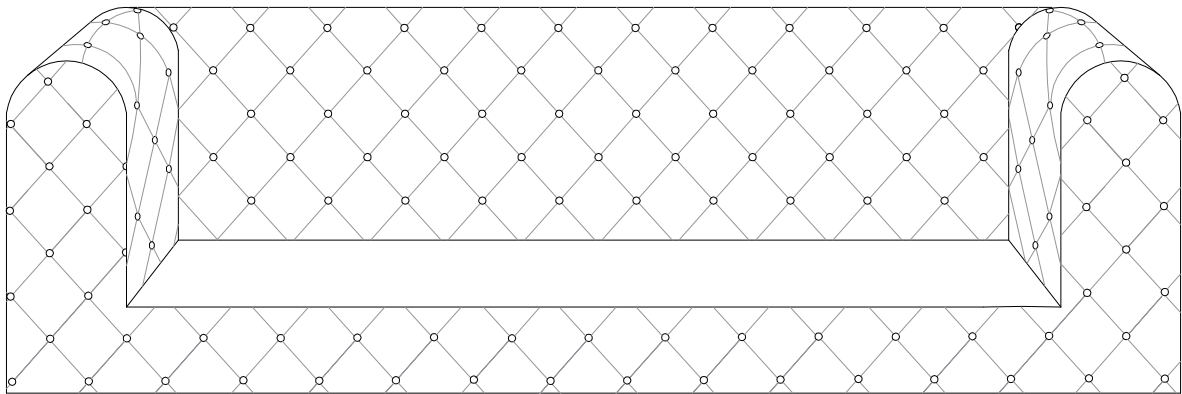

		15'
		
		1



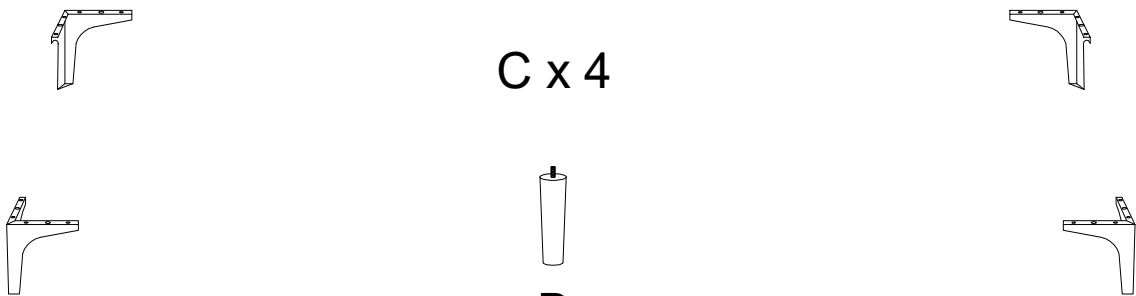
A x 2



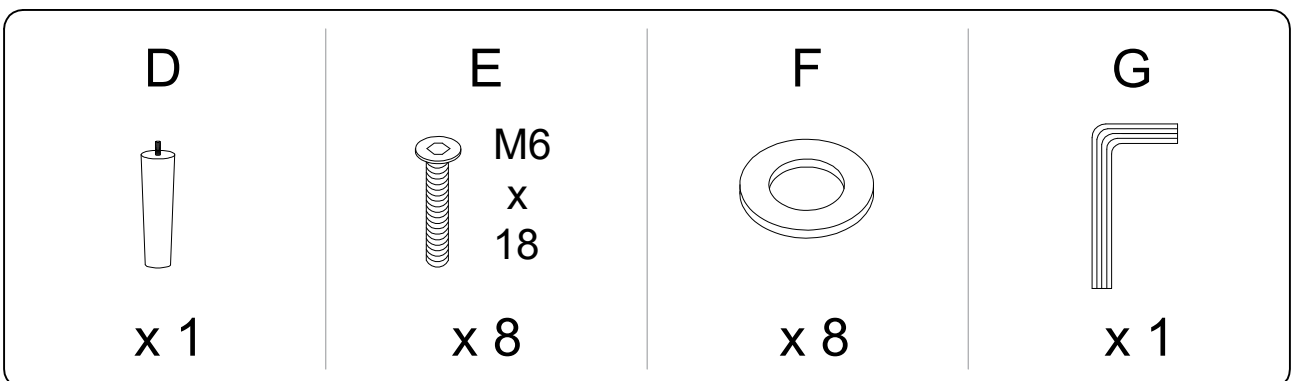
B



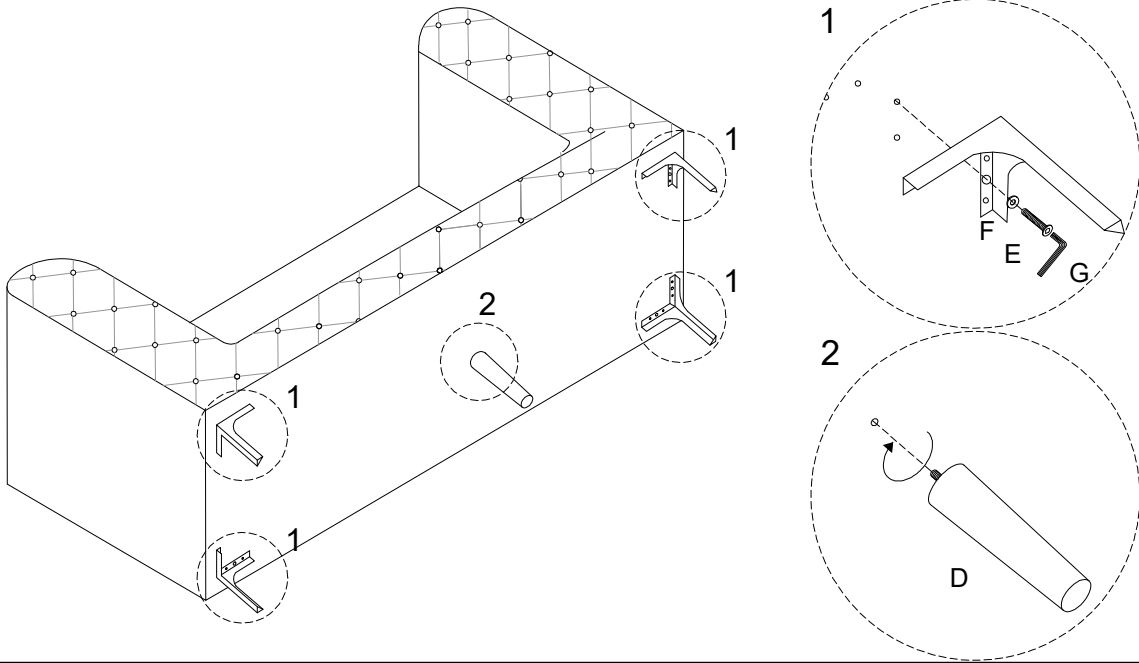
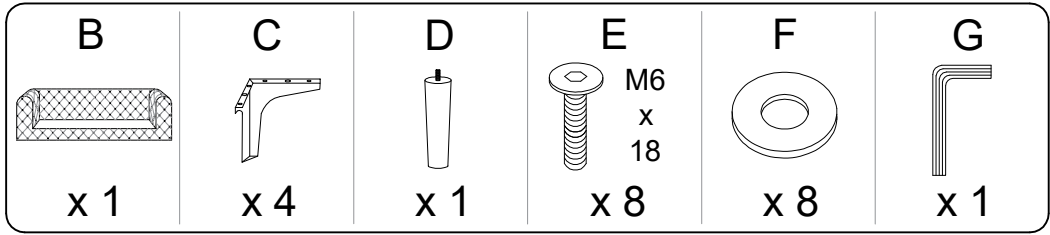
C x 4



D



1



2

