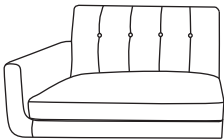


USE AND MAINTENANCE

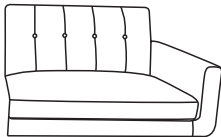
- Use on level surfaces only
- Because this product needs assembly, it is prone to working itself loose from time to time depending on the use. Please take the time to check that all connections are still tight and working properly for safety.
- Only clean using a damp cloth and mild detergent, do not use bleach or abrasive cleaners.

Mid Century Style Futon Sofa Bed

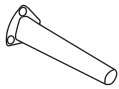
PART LIST



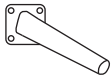
1 - Left Sofa Base x1



2 - Right Sofa Base x1



3 - Side Leg x4



4 - Middle Leg x1

HARDWARE



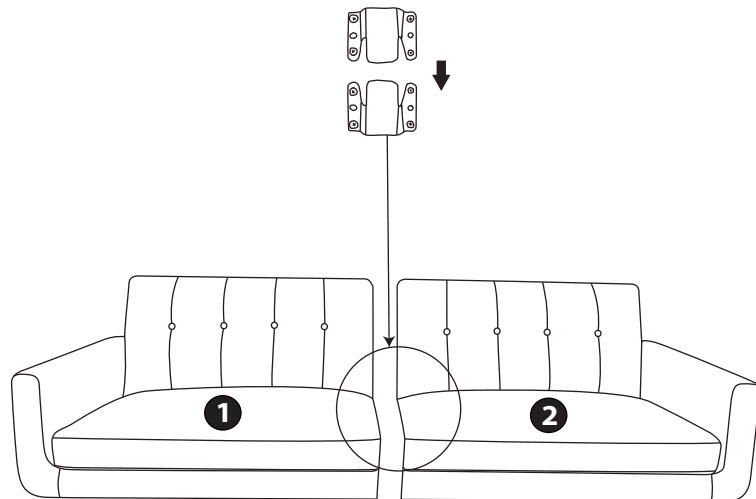
A - Allen Wrench x1



B - Bolt x16+2

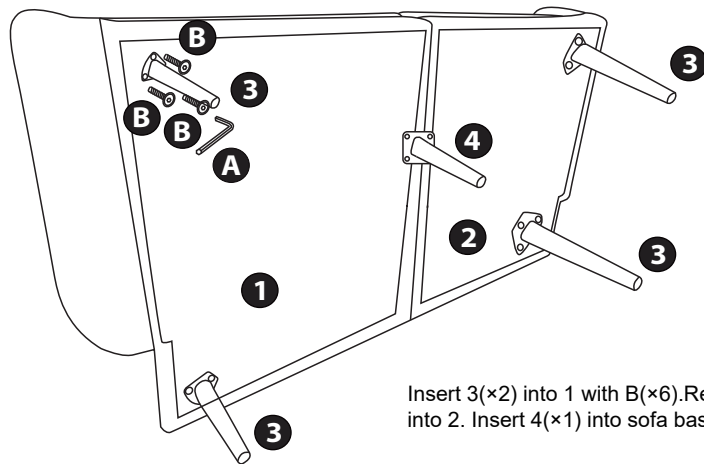
Assembly Instructions

①

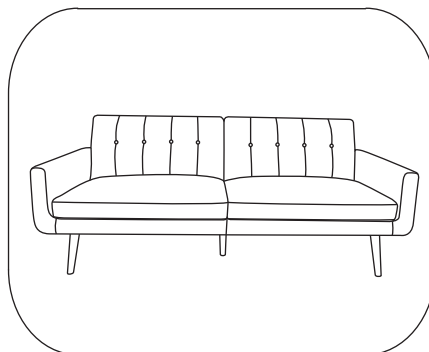


Install 1 into 2 with the buckles.

②



Insert 3(x2) into 1 with B(x6). Repeat for 3(x2) into 2. Insert 4(x1) into sofa base with B(x4).



Congratulations! Setup of your new Mid Century Style Futon Sofa Bed is Complete! Keep these instructions for future reference.