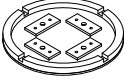
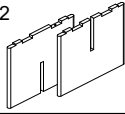


ASSEMBLY INSTRUCTIONS FOR COFFEE TABLE

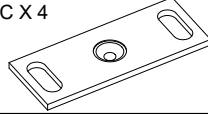
A X 1



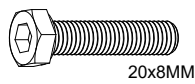
B X 2



C X 4



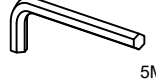
D X 12



E X 8

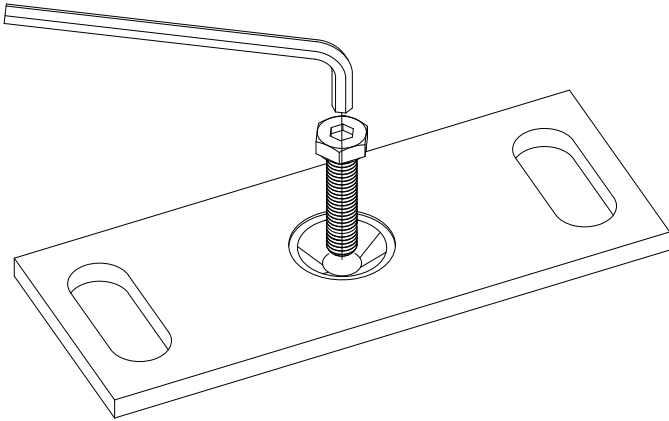


F X 1

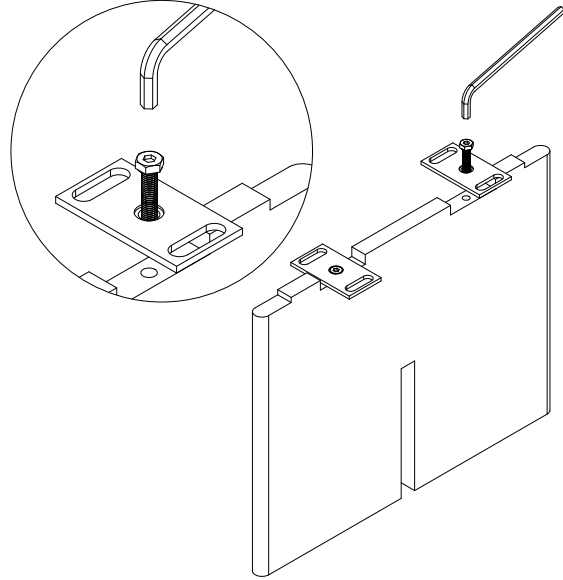


5MM

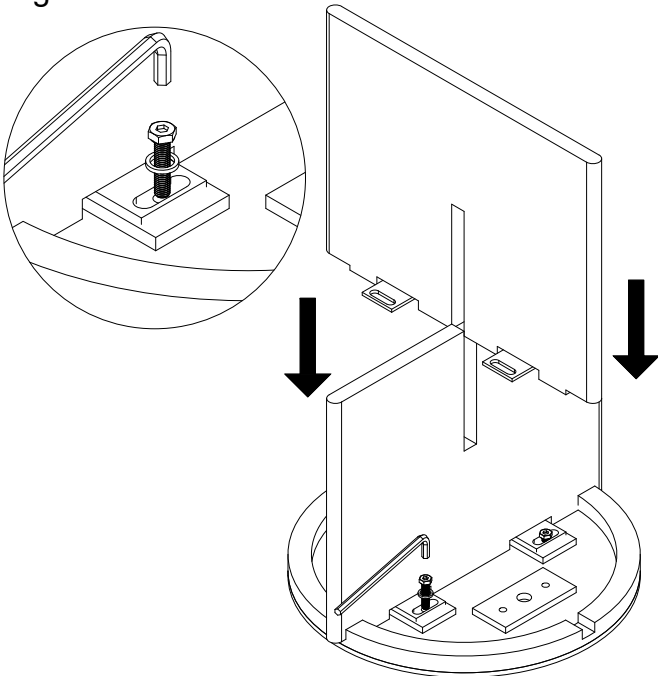
Step 1 -



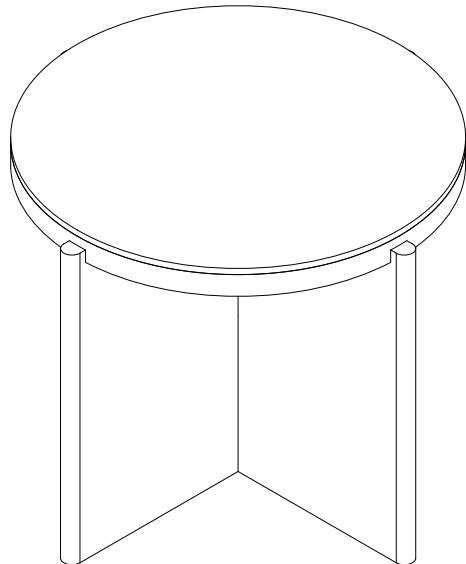
Step 2 - Fasten all 4 iron plate to legs.



Step 3 - Now fasten the legs with the top and tighten all the bolts.



Step 4 - Your product is now ready for use. If it is shaking please tighten the bolts.



Care Instructions

Wipe with a soft, dry cloth. To protect finish, avoid the use of chemicals and household cleaners. Any liquid spilled onto the table should be cleaned up immediately with a damp cloth. Avoid keeping the product in direct sunlight.