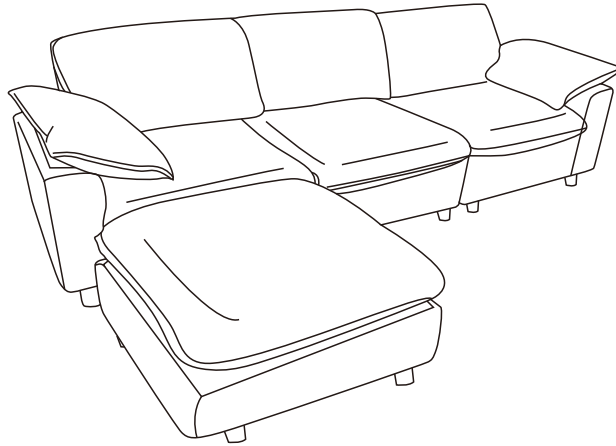
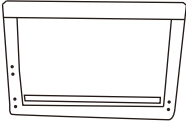
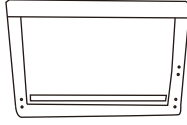
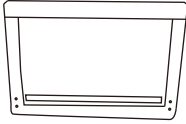
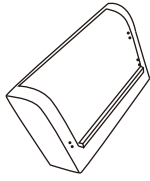
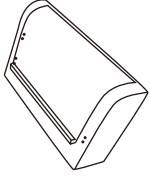
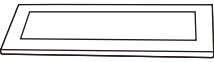


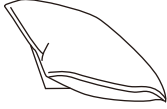







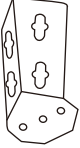


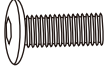







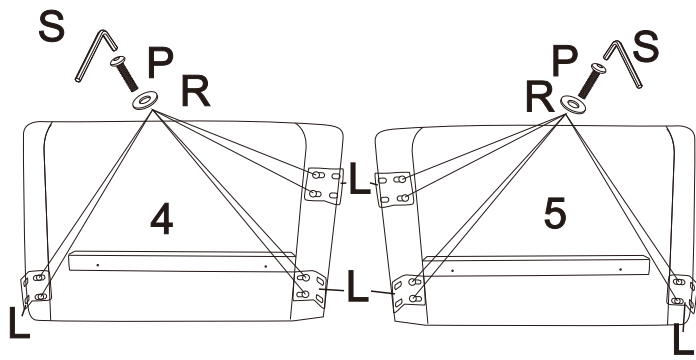
ASSEMBLY INSTRUCTION



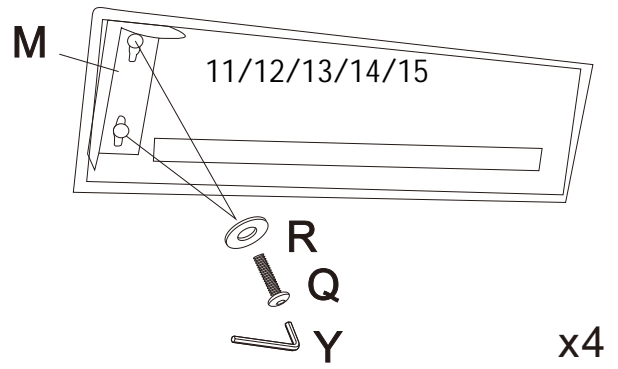
ASSEMBLY

1 x1 	2 x1 	3 x1 	4 x1 	5 x1 			
6 x4 	7 x4 	8 x3 	9 x1 	10 x1 			
11 x1 	12 x1 	13 x4 	14 x3 	15 x2 	L x6 	M x12 	
N x2 	O x2 	P x32 M8 	Q x44 M6 	R x76 	S x1 M8 	Y x1 M6 	T x16 

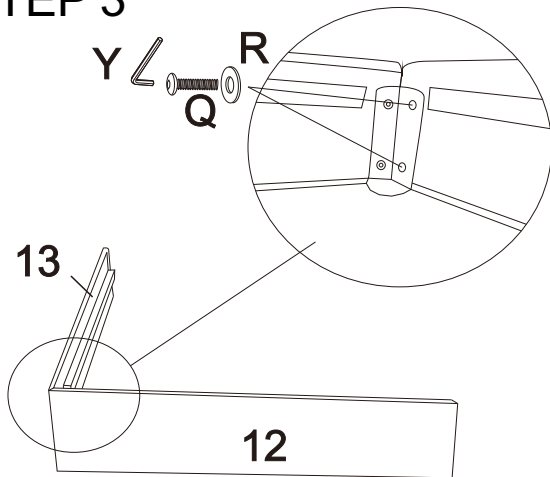
STEP 1



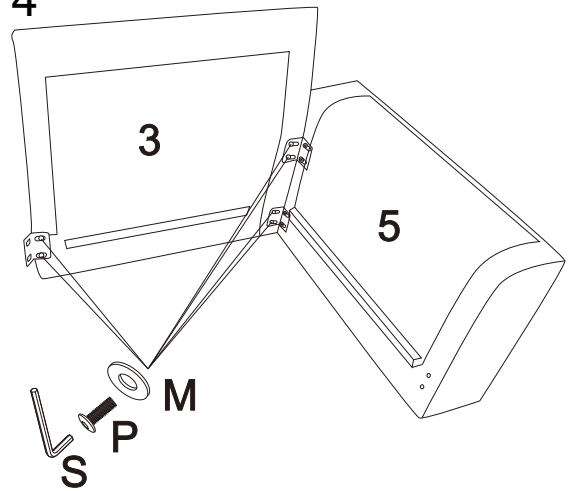
STEP 2



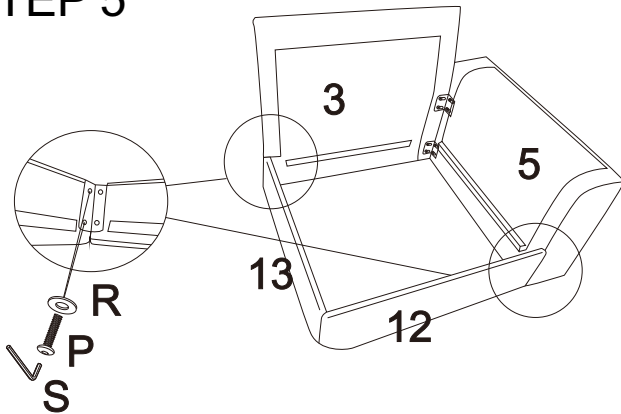
STEP 3



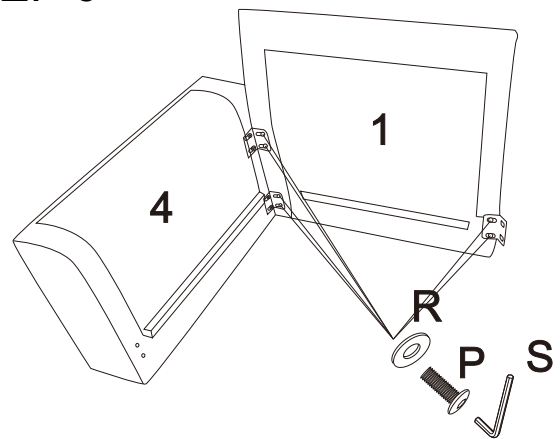
STEP 4



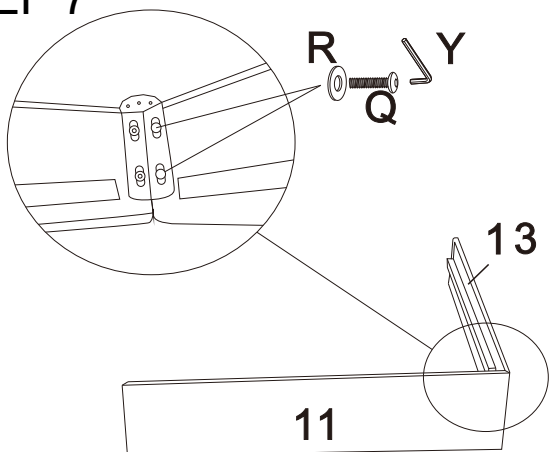
STEP 5



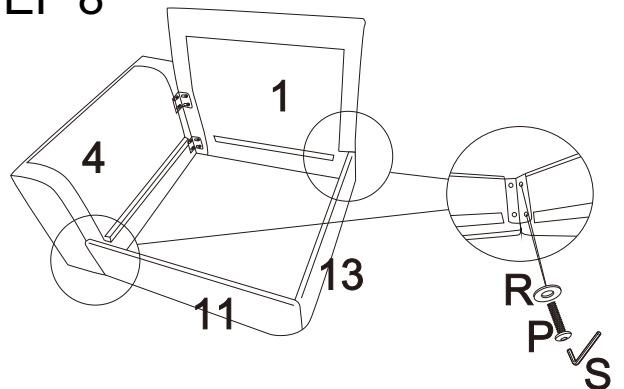
STEP 6



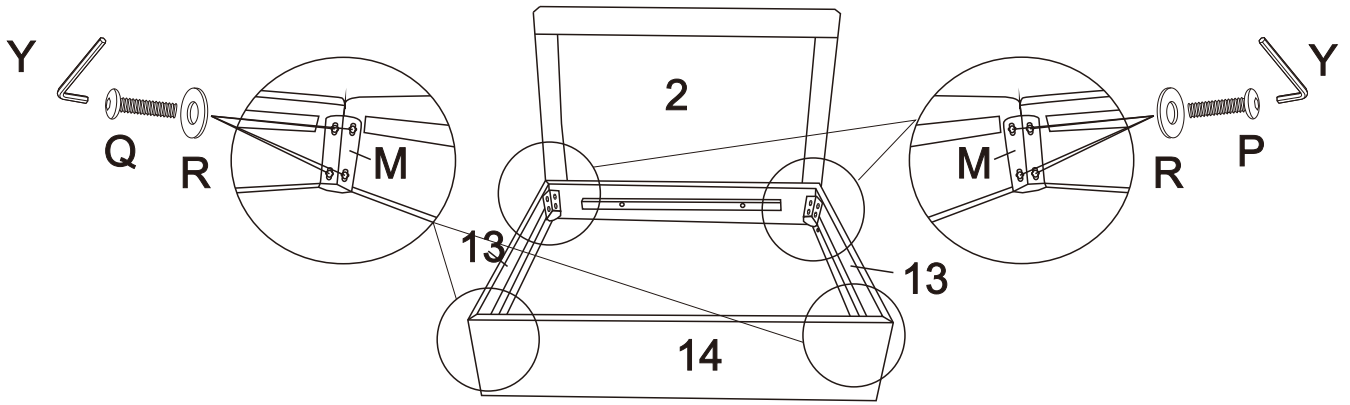
STEP 7



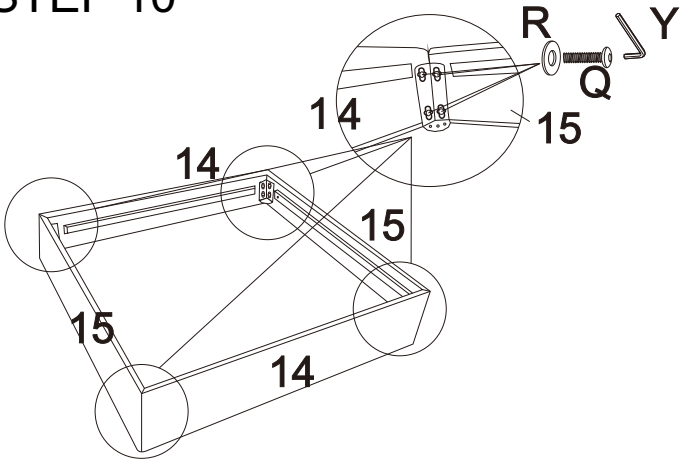
STEP 8



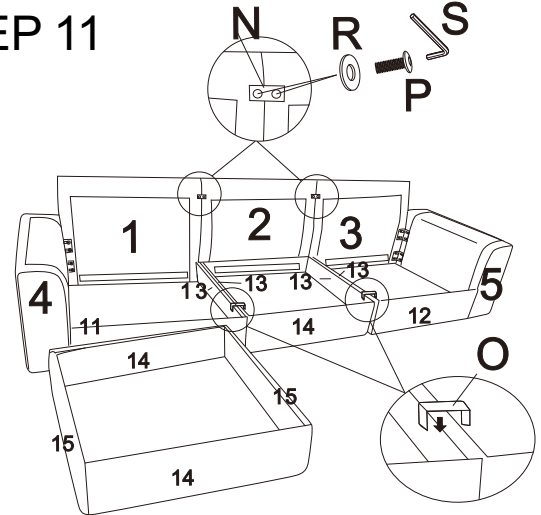
STEP 9



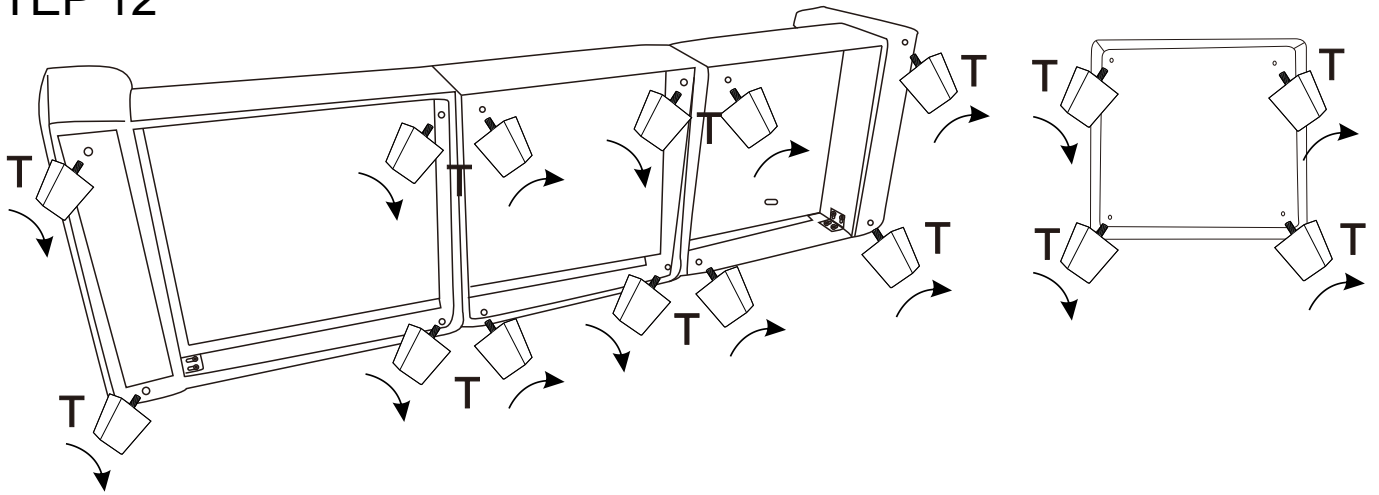
STEP 10



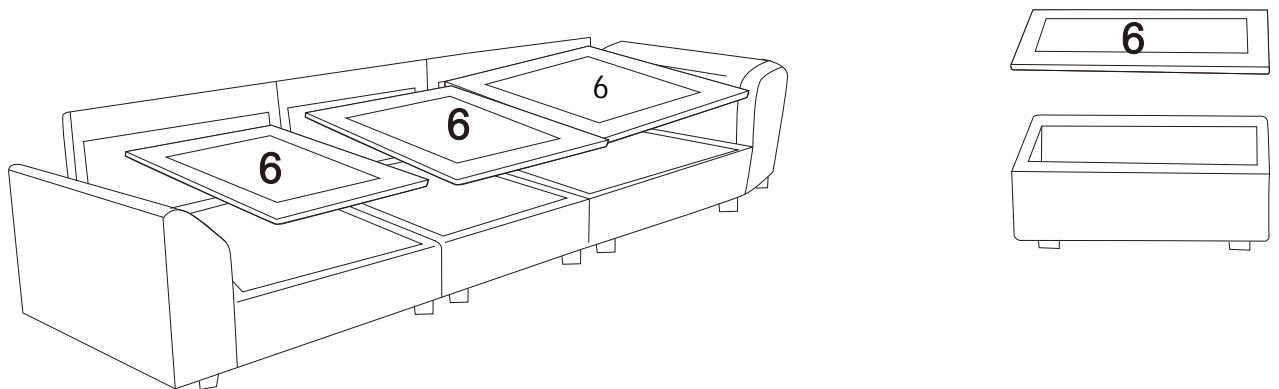
STEP 11



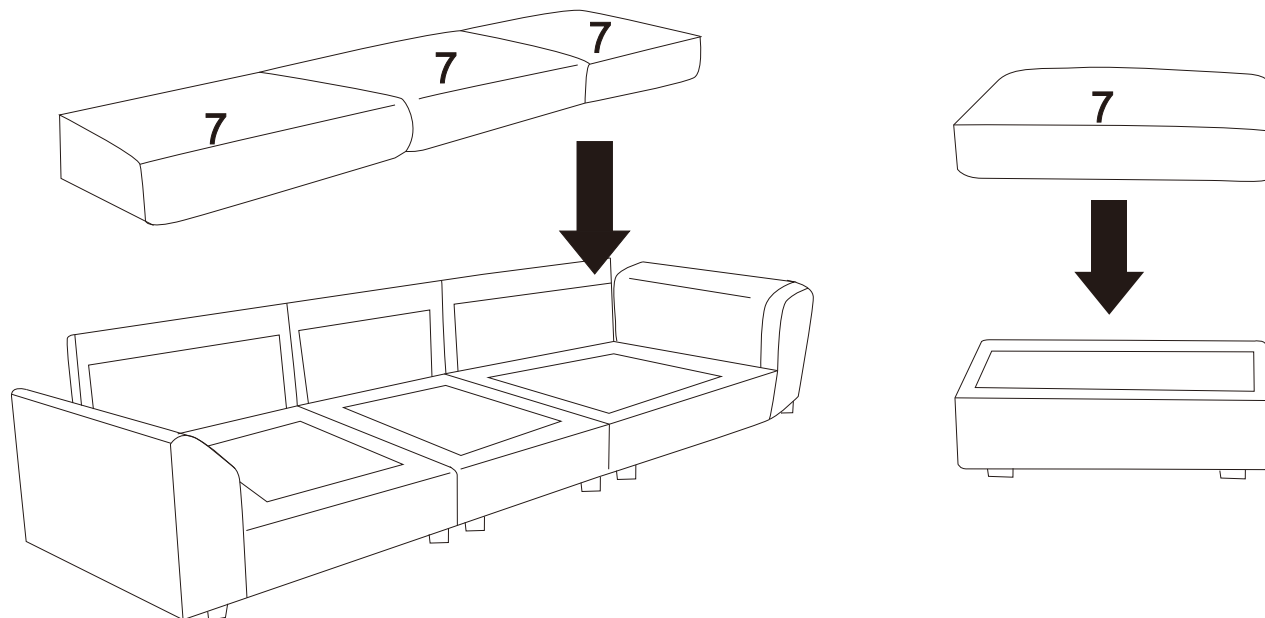
STEP 12



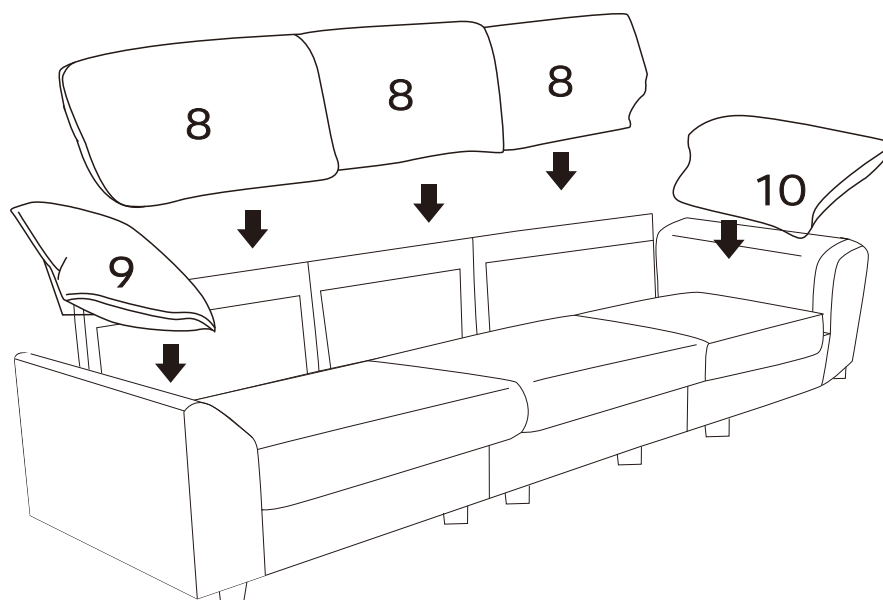
STEP 13



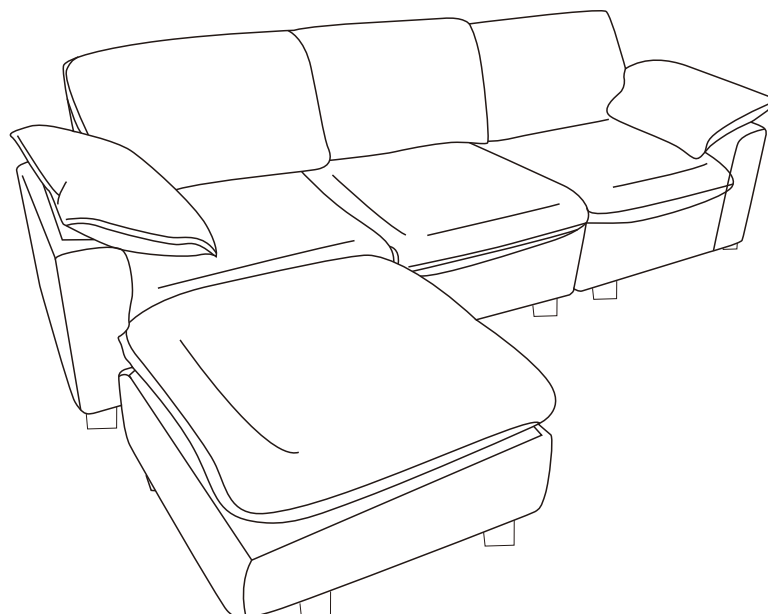
STEP 14

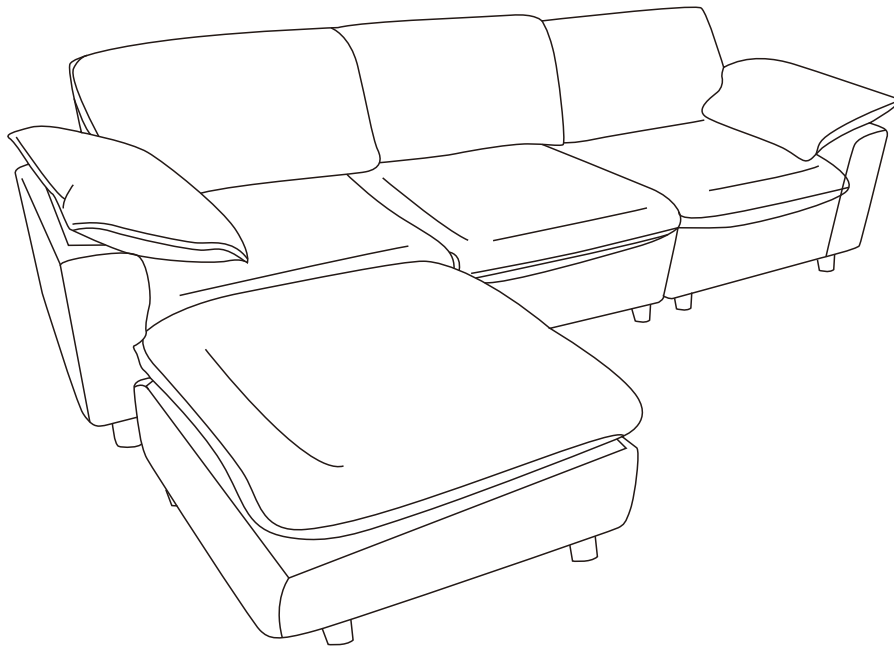


STEP 15



STEP 16





2-1

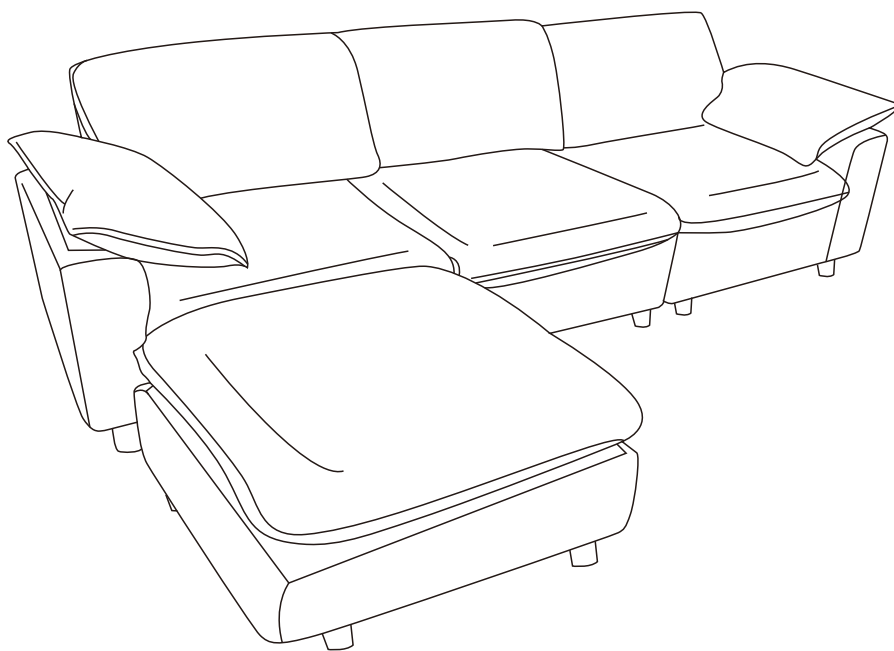
M*12 L*6 N*2 O*2 P*32

Q*44 R*76 S*1 Y*1

14*2 15*2

4*1 5*1

8*3 7*4



2-2

6*4

9*1 10*1

14*1 11*1 12*1 13*4.

1*1 2*1 3*1

T*16