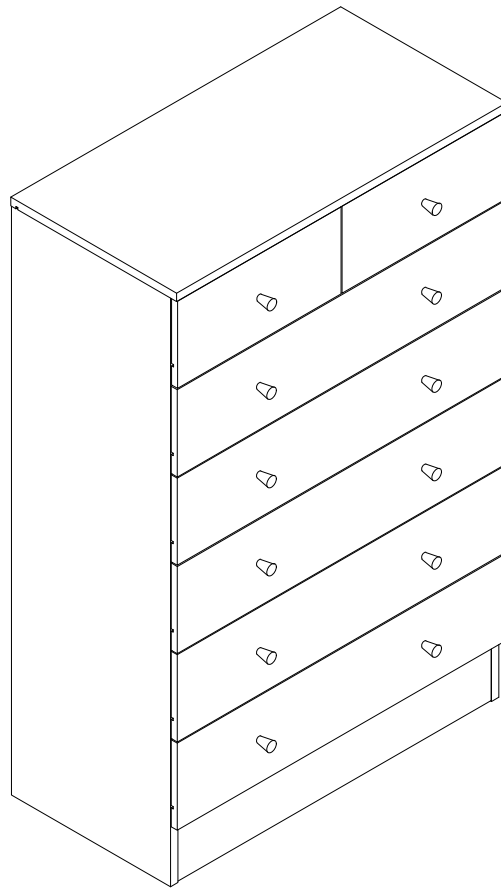
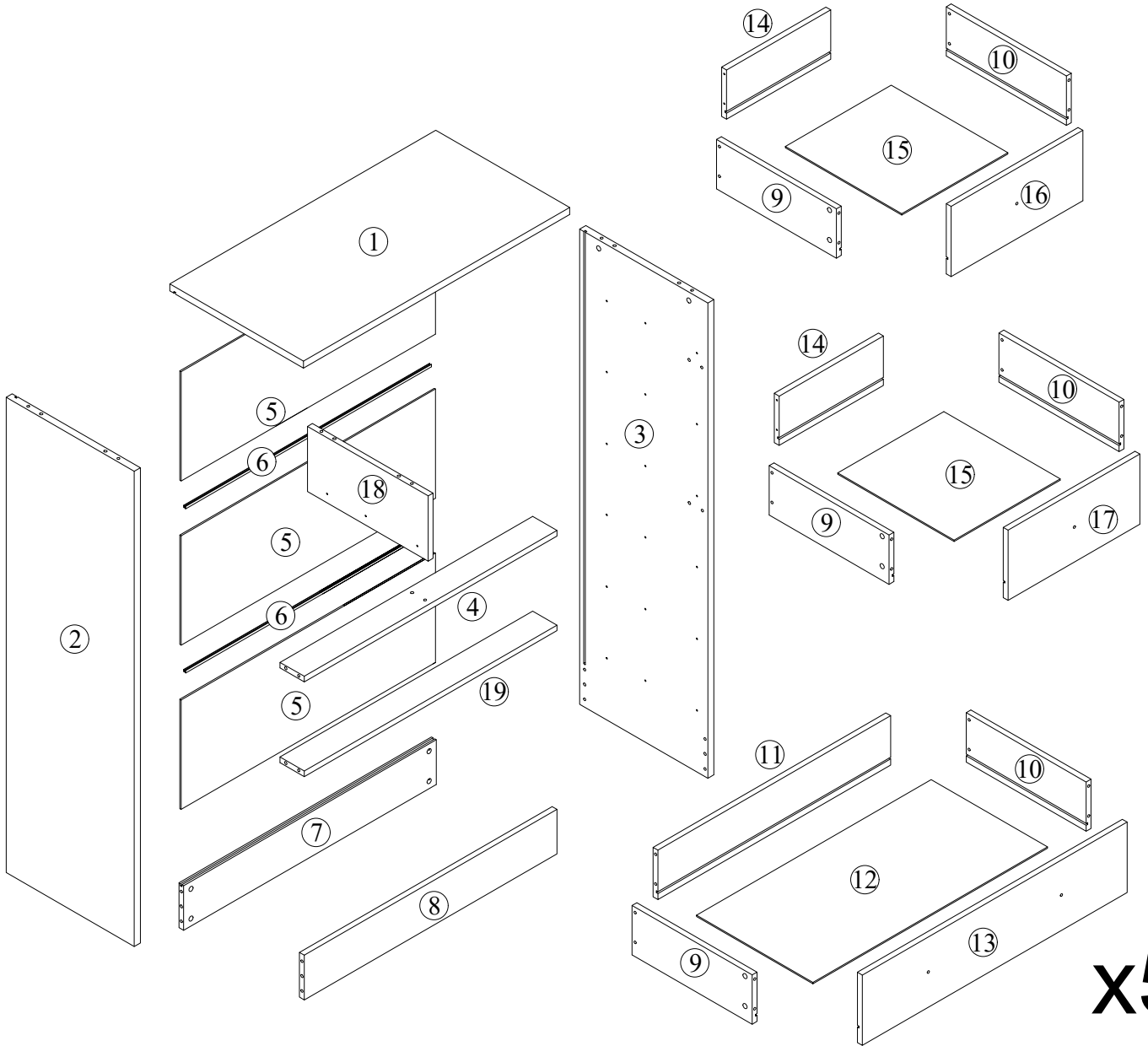
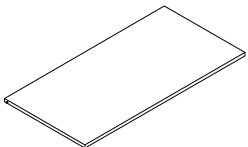
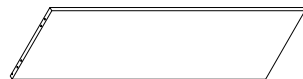
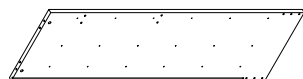
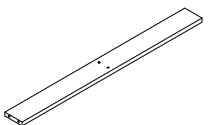


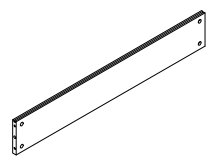
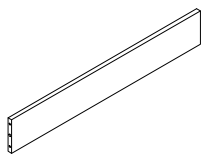
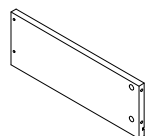
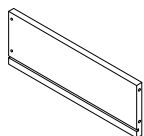
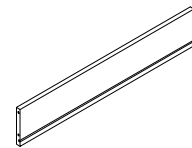
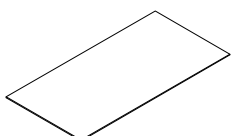
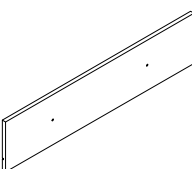
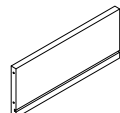
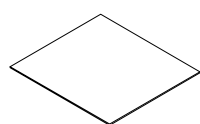
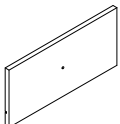
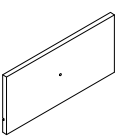
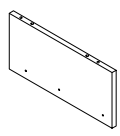
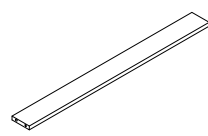


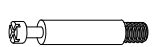



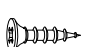

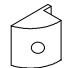


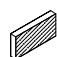
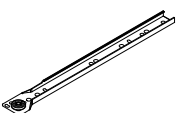
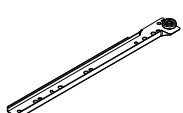
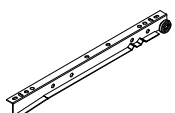
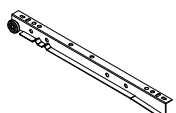
Assembly Instruction



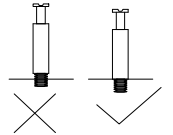
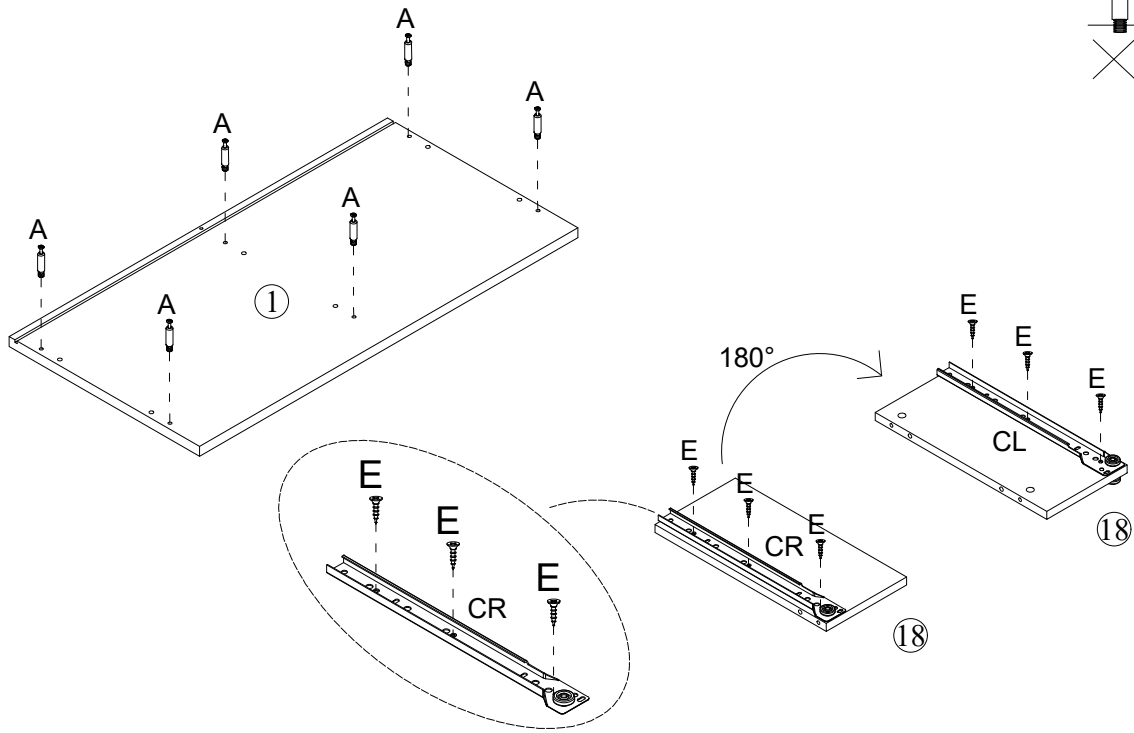



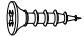
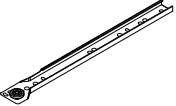
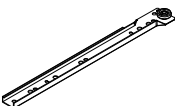
x5

1  659x331x15 x1	2  1020x317x15 x1	3  1020x317x15 x1	4  627x59x12 x1
5  634x310 x3	6  625mm x2	7  627x95x12 x1	8  627x95x12 x1
9  298x105x12 x7	10  298x105x12 x7	11  578x105x12 x5	12  585x292 x5
13  656x150x12 x5	14  259x105x12 x2	15  266x292 x2	16  326x150x12 x1
17  326x150x12 x1	18  298x140x12 x1	19  627x59x12 x1	

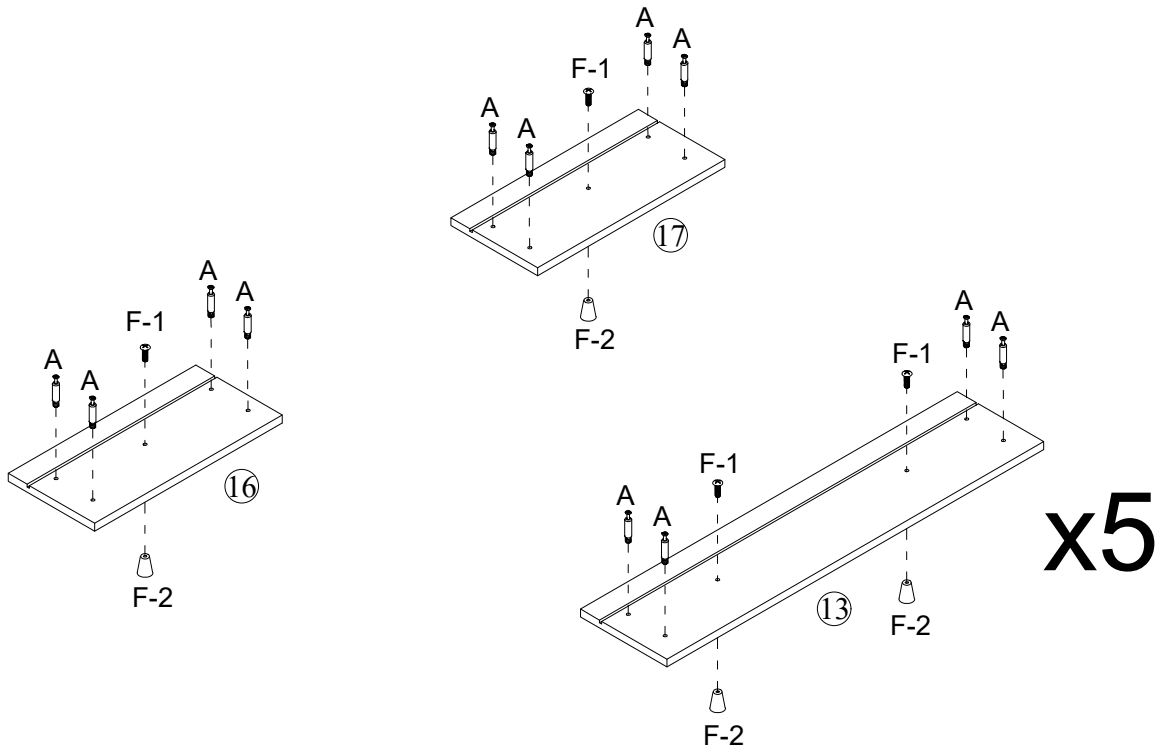
A  Φ6X35mm x 46+1	B  Φ15X10mm x 46+1	C  Φ6X30mm x 15+1	D  Φ4X35mm x 29+1	E  Φ3X12mm x 84+3
F  F-1 Φ4X18mm x 12	G  G-1 Φ3X16mm x 10	H  H-1 Φ4X12mm x 1	I  I-1 Φ4X45mm x 1	J  25X12mm x 4
CL  L300 x 7	CR  L300 x 7	DL  L300 x 7	DR  L300 x 7	




1



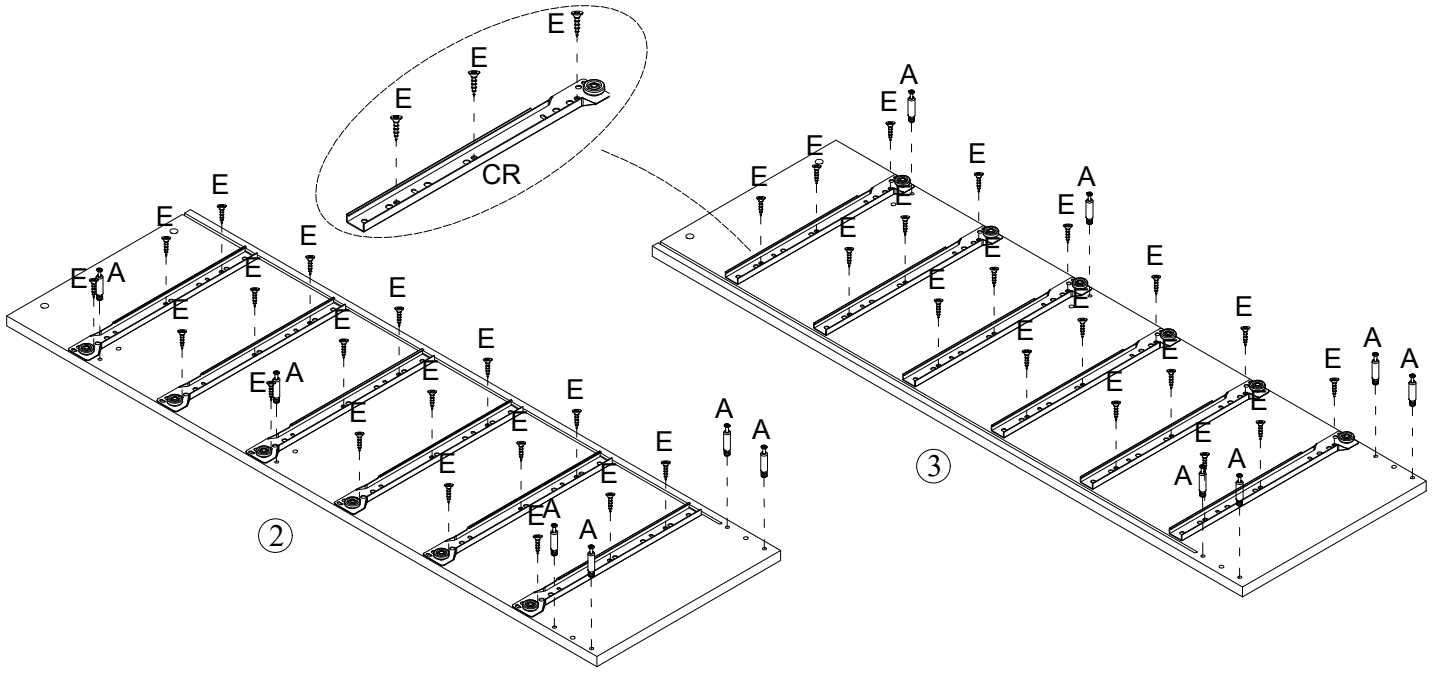
<p>A</p>  <p>x 6</p>	<p>E</p>  <p>x 6</p>	<p>CL</p>  <p>x 1</p>	<p>CR</p>  <p>x 1</p>
---	---	---	---


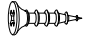
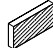


2



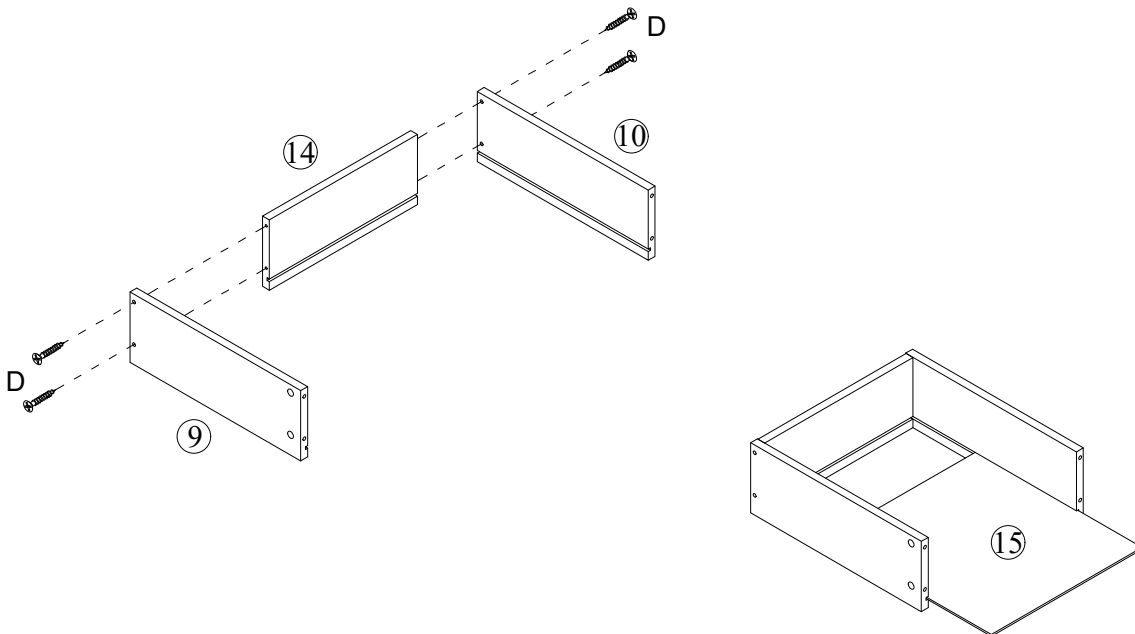
<p>A</p>  <p>x 28</p>	<p>F</p> <p>F-1</p>  <p>F-2</p>  <p>x 12</p>
--	--

3

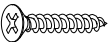


<p>A</p>  <p>x 12</p>	<p>E</p>  <p>x 36</p>	<p>J</p>  <p>x 4</p>	<p>CL</p>  <p>x 6</p>	<p>CR</p>  <p>x 6</p>
--	--	--	---	---

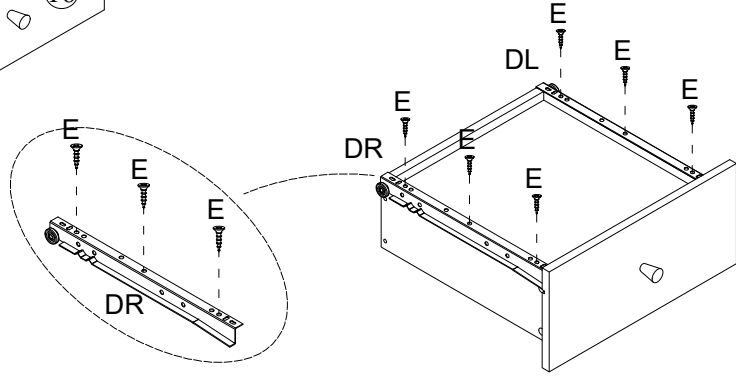
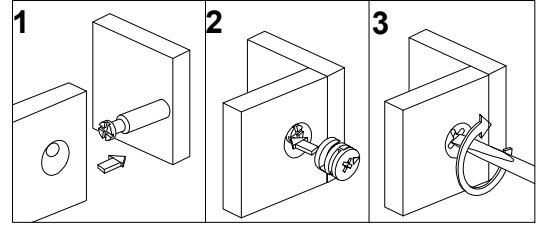
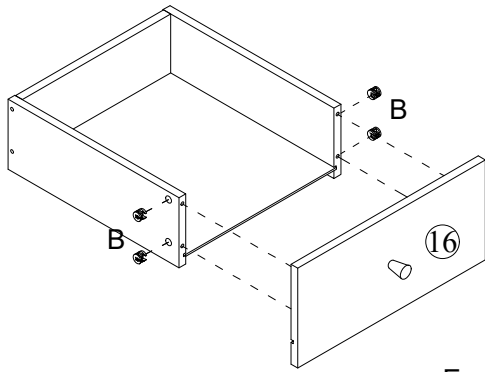
4


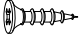
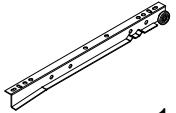
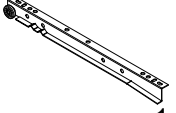


x2

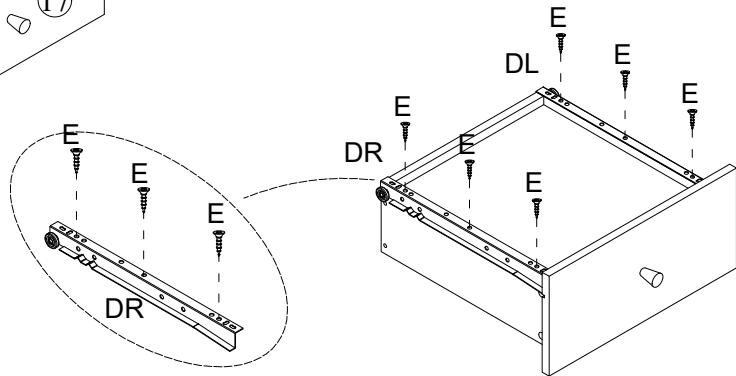
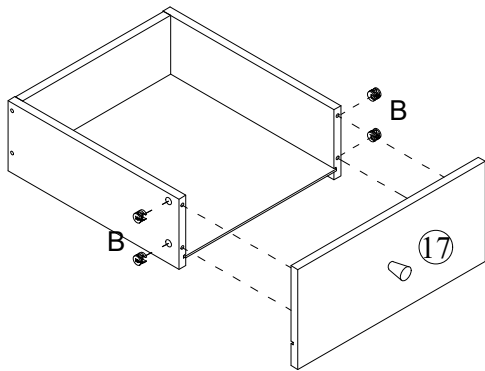
<p>D</p>  <p>x 8</p>


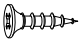
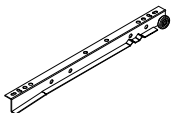
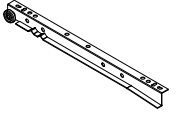
5



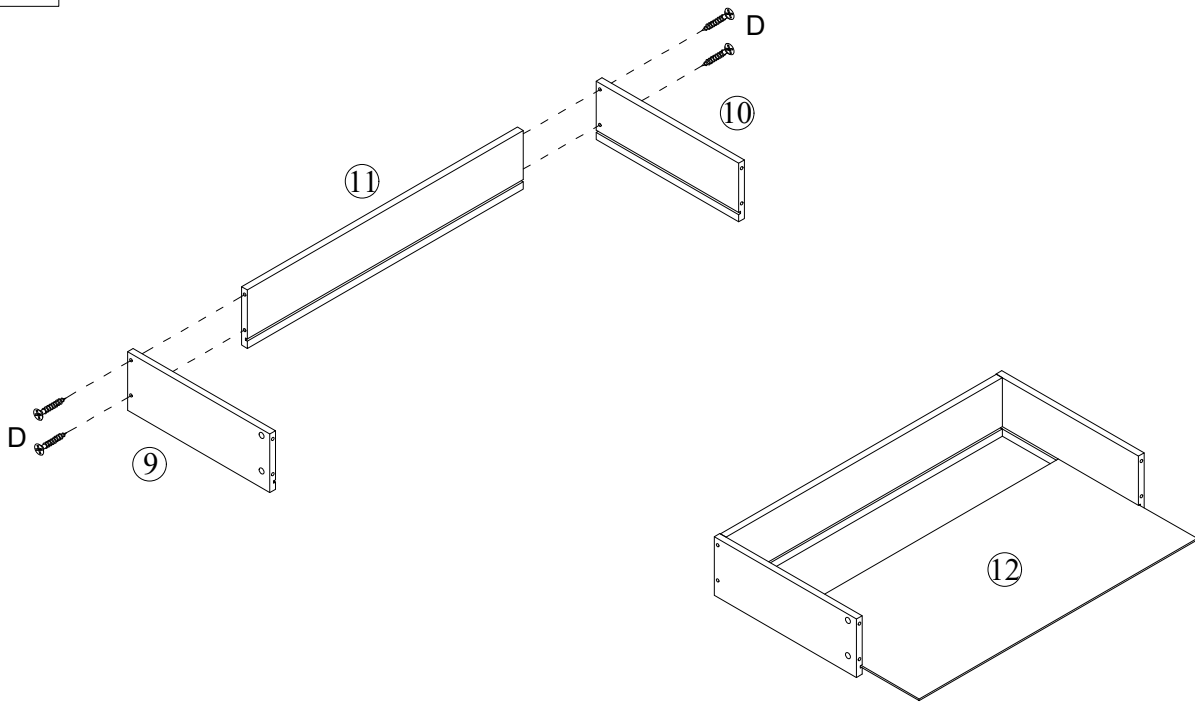
<p>B</p>  <p>x 4</p>	<p>E</p>  <p>x 6</p>	<p>DL</p>  <p>x 1</p>	<p>DR</p>  <p>x 1</p>
--	---	---	---

6

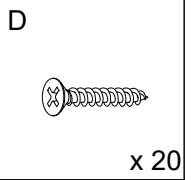


<p>B</p>  <p>x 4</p>	<p>E</p>  <p>x 6</p>	<p>DL</p>  <p>x 1</p>	<p>DR</p>  <p>x 1</p>
---	---	--	--

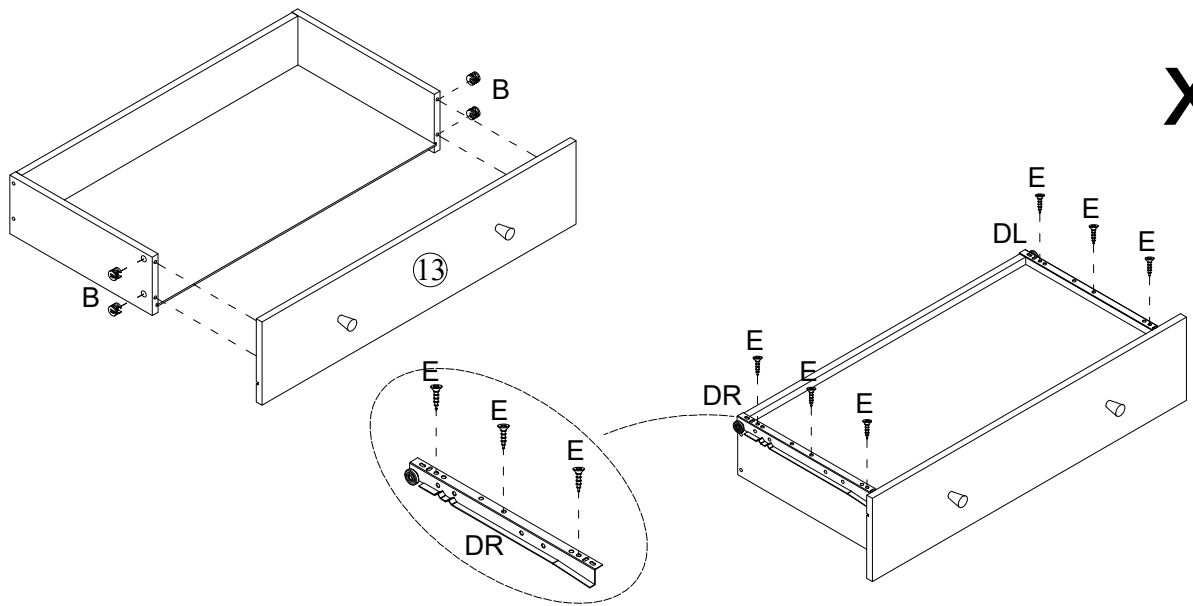
7



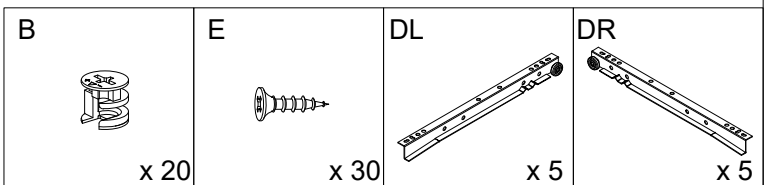
x5



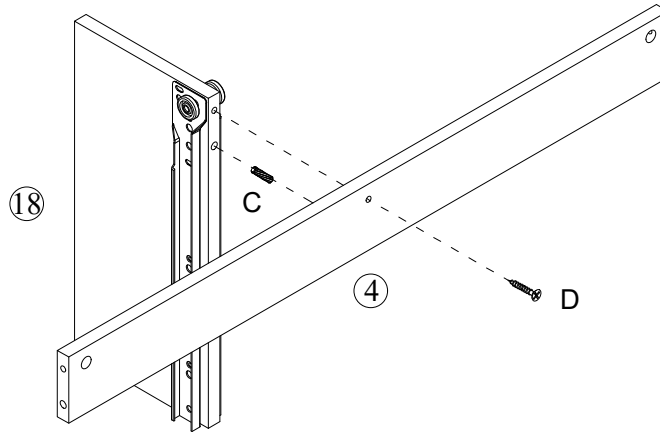
8

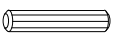
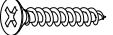


x5

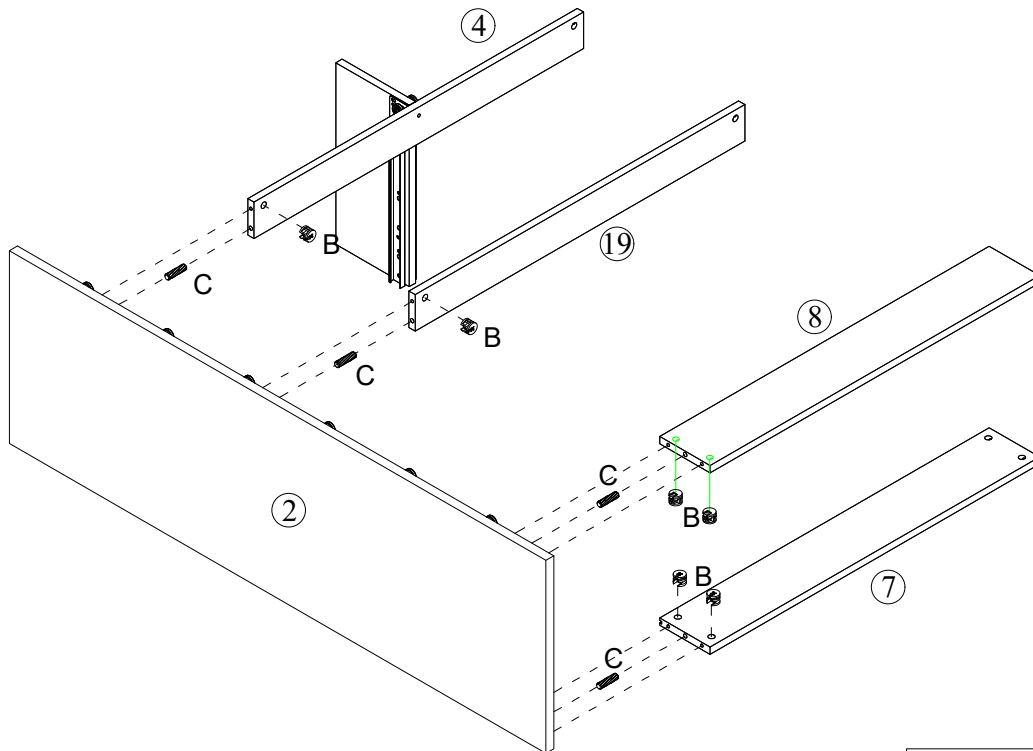




9



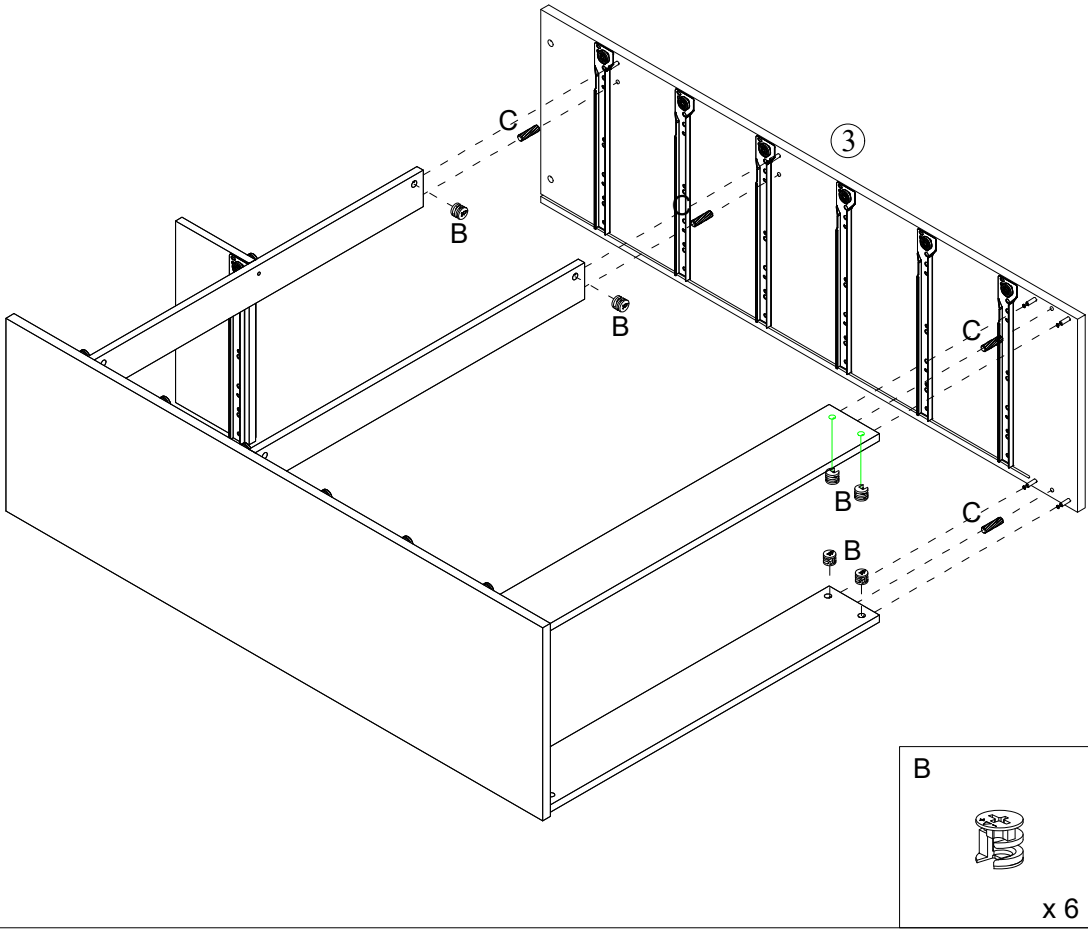
C	D
	
x 1	x 1

10

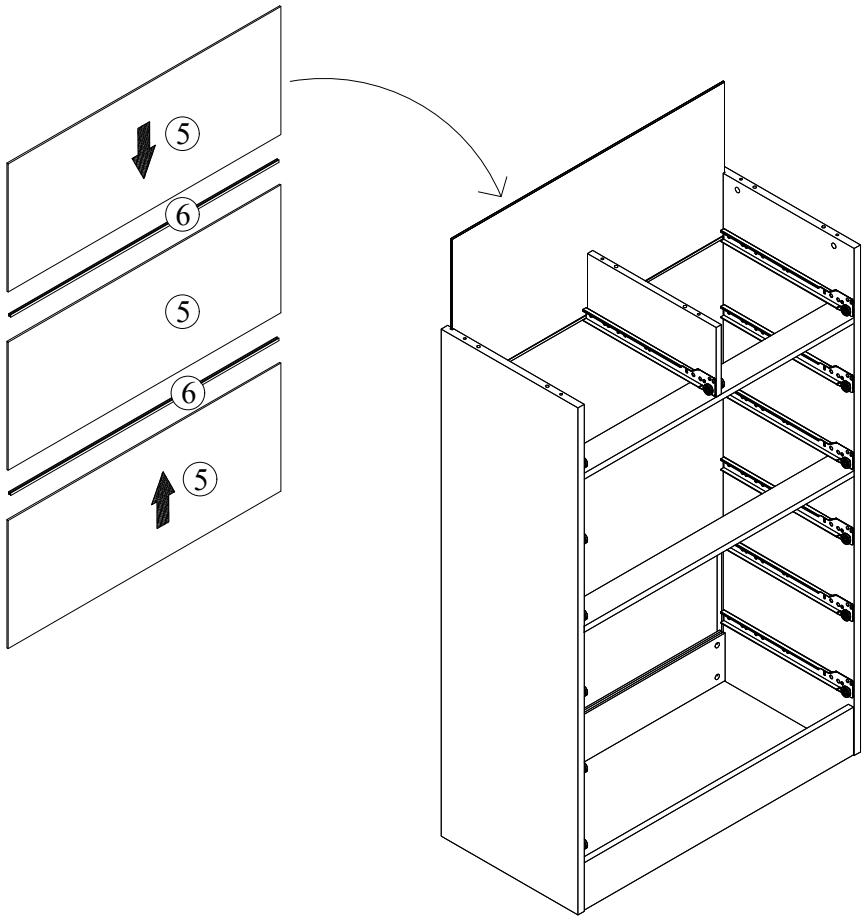


B	C
	
x 6	x 4

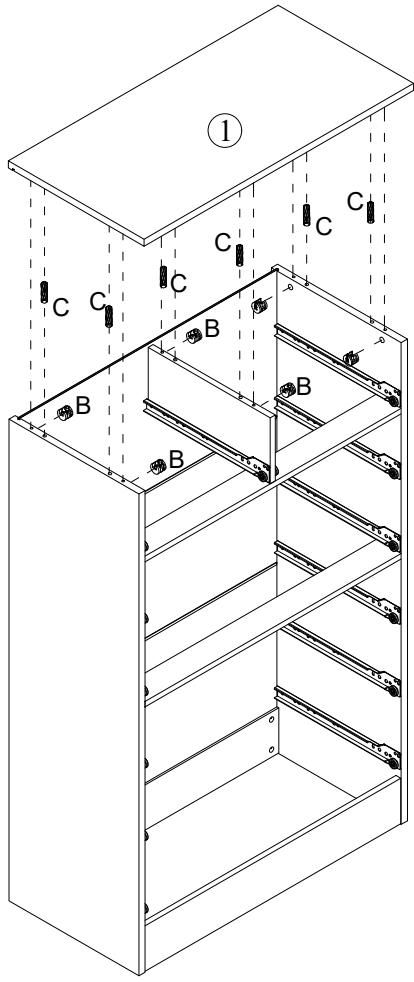
11


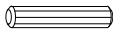


12

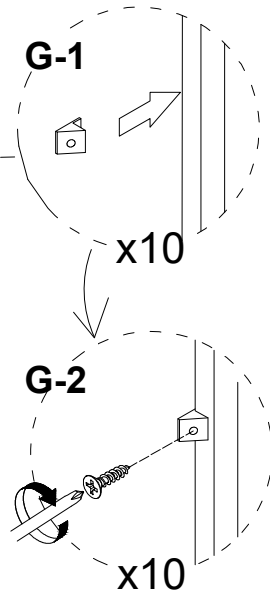
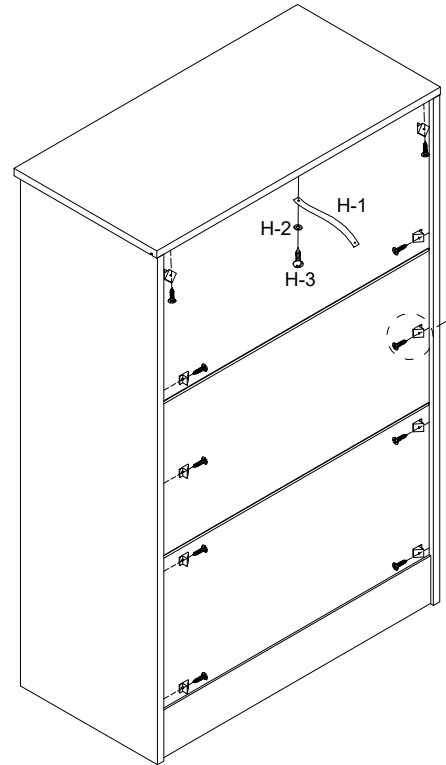







13



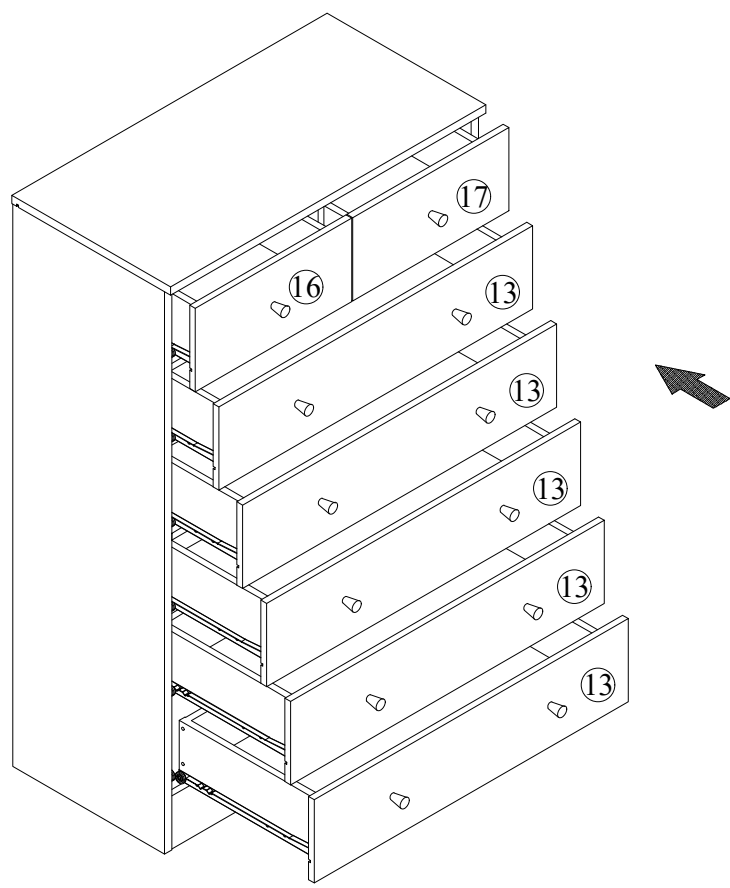
<p>B</p>  <p>x 6</p>	<p>C</p>  <p>x 6</p>
---	--

14

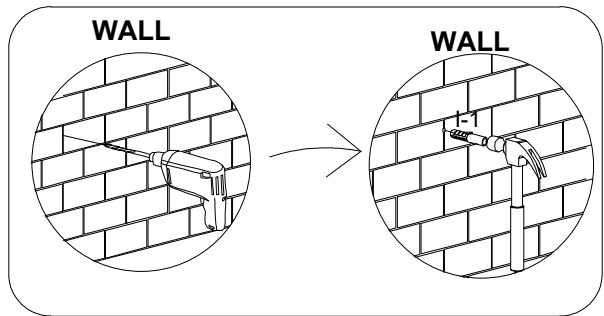
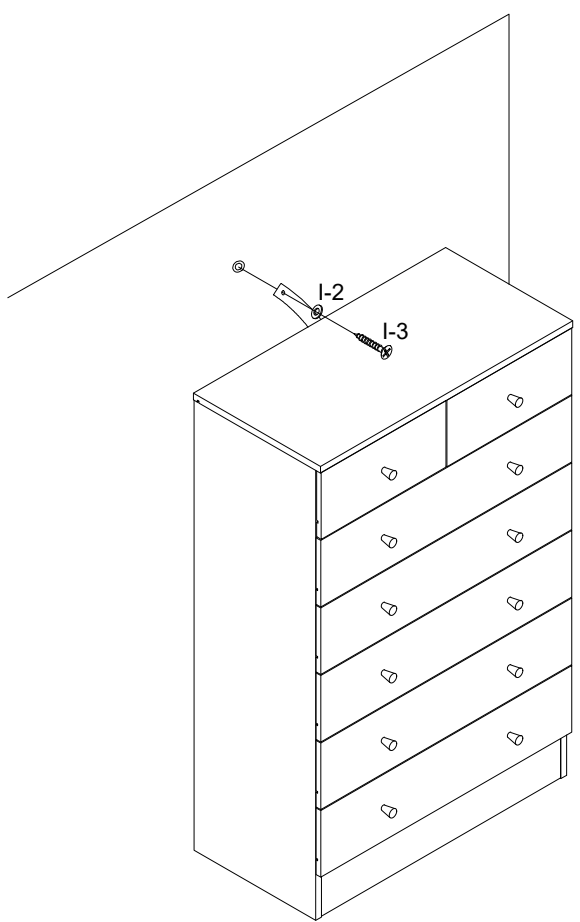


<p>G</p> <p>G-1 G-2</p>   <p>x 10</p>		<p>H</p> <p>H-1 H-2 H-3</p>    <p>x 1</p>	
--	--	---	--

15



16



- | | | |
|-----|-----|-----|
| I | | |
| I-1 | I-2 | I-3 |
| | | |
| x 1 | | |