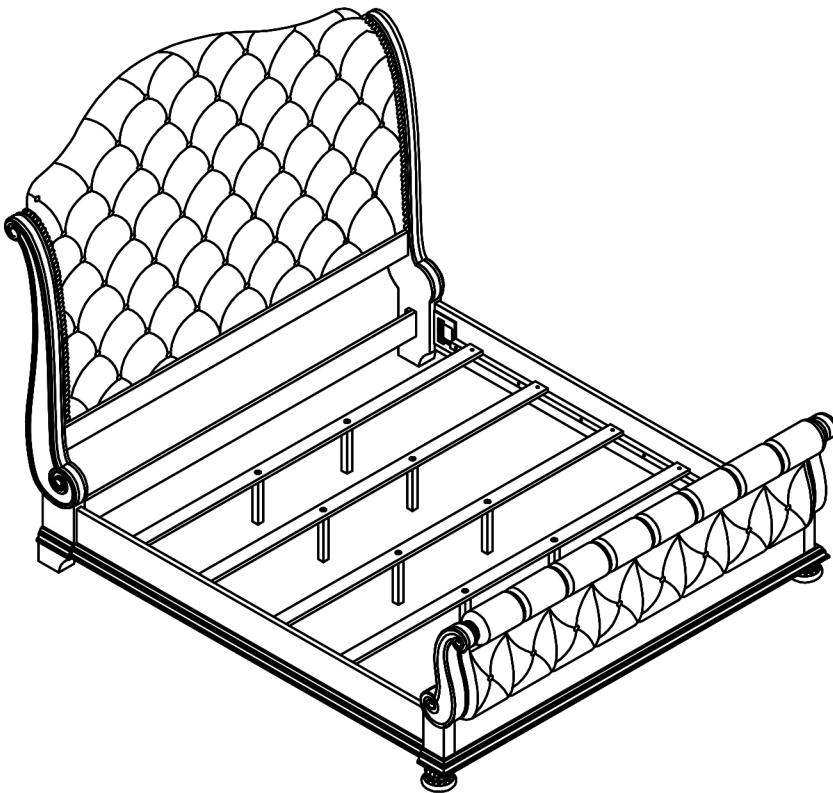
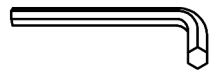


ASSEMBLY INSTRUCTIONS



TOOLS REQUIRED



Allen Wrench

(Included)



**Phillips
Screwdriver**

(Not Included)



**3 - Persons
Recommended**

ASSEMBLY RATING



EASY —————> DIFFICULT

The Assembly Rating is a 5-point system showing the level of effort needed to assemble a specific product.



CHECK BEFORE STARTING



Are you missing anything?

Double-check all parts, hardware and accessories listed on Page 6 are accounted for.



Check out our Quick Tips!

We recommend reviewing the pre-assembly handouts. Even experts need a refresher now and then!



Should we send any replacements?

Are there any irregularities or flaws in the parts? We can send replacements!

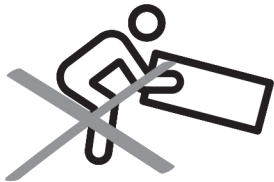


Prep Time!

Please review the assembly instructions and all diagrams prior to assembling. Arrange parts as recommended on Page 7 and group identical hardware together to make assembling easier.

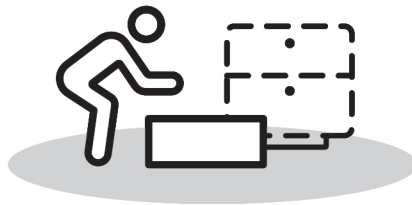
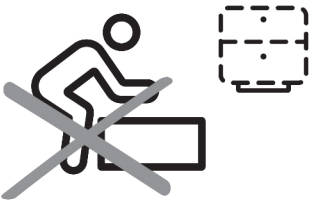
PRE ASSEMBLY INTRODUCTION

We understand building ready-to-assemble furniture can be a challenging experience for some. To help avoid confusion, we have provided some helpful tips that may speed up the process.



Teamwork

ALWAYS have at least two people to help with transporting and assembling the product to avoid potential injury and/or damage.



Suitable Location

Assembling near the area of the intended location is highly recommended.



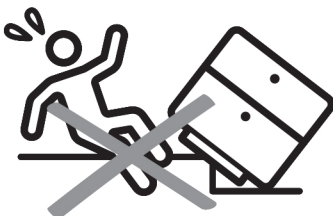
Sufficient Space

Make sure you have enough space to move around during the assembly.



Avoid Scratches

Use cardboard, blankets or a carpeted area while assembling furniture to prevent scratches.



Flat Surface

Make sure the furniture rests on a flat and level surface with each leg evenly touching the floor.

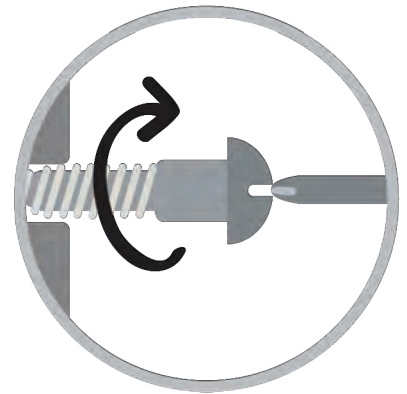
ASSEMBLY AND CARE ADVICE



FAILURE TO FOLLOW THE GUIDELINES BELOW MAY RESULT IN INJURY AND/OR PROPERTY DAMAGE.



Position each part correctly and insert screws or bolts into their respective holes.



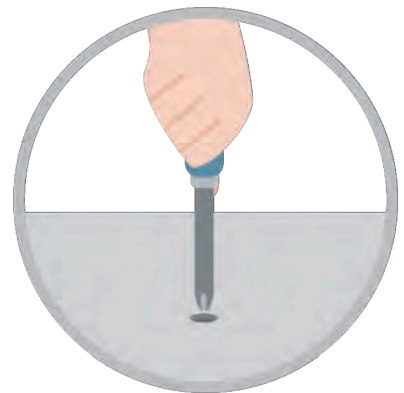
Turn clockwise to tighten and only tighten when step is completed or when instructed to do so.



Use the appropriate hand tools or power tools for assembly. Select steps, such as tightening screws and/or bolts, may require hand tools to avoid causing damage during assembly.



Save the instructions and store any supplied tools for later maintenance.



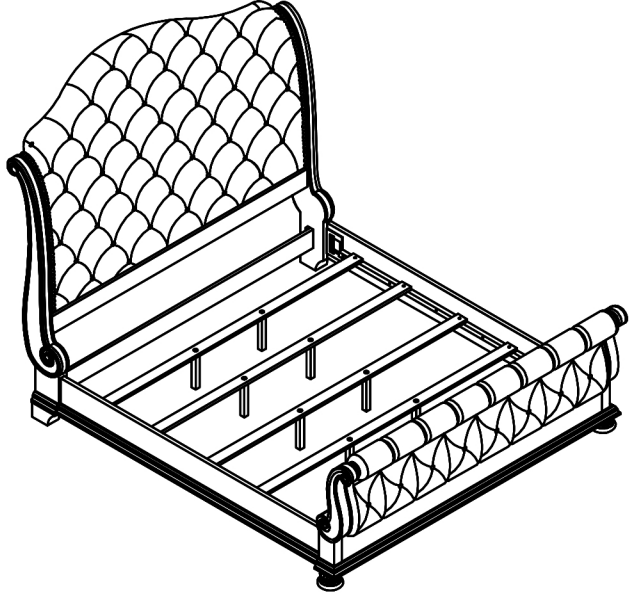
After two weeks, check and tighten any loose hardware and repeat again every six months thereafter.

IT IS THE USER'S RESPONSIBILITY TO MAINTAIN THE FURNITURE. THE HARDWARE MAY LOOSEN OVER TIME AND MAY CAUSE THE FURNITURE TO BE WOBBLY AND UNABLE TO SUPPORT ITS INTENDED WEIGHT CAPACITY. THIS MAY LEAD TO COLLAPSE AND MAY CAUSE SERIOUS INJURY.

E KING BED



• Please keep instructions for future reference.
 • Check the quantity and irregularity of parts and hardware before you start.



PARTS

#1 1pc



Headboard

#2 2pcs



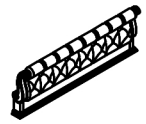
H/Board Leg (R/ L)

#3 1pc



H/Board Leg Rail

#4 1pc



Footboard

#5 2pcs



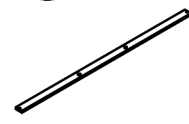
F/Board Leg

#6 2pcs



Side Rail

#7 4pcs



Slat

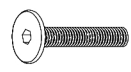
#8 8pcs



Support Leg
235*30*30mm

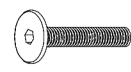
HARDWARE

#A 4pcs



Bolt Ø5/16" x 1-3/4"

#B 14pcs



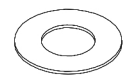
Bolt Ø5/16" x 1-1/2"

#C 18pcs



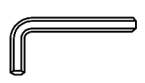
Lock washer
Ø5/16"

#D 18pcs



Flat washer
Ø5/16"

#E 1pc



Allen wrench 5mm

#F 8pcs



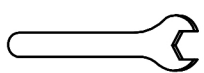
Threaded Stud
Ø5/16"x3-1/2"

#G 8pcs



Hex Nut
Ø5/16"

#H 1pc



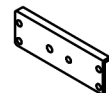
Wrench
Ø12mm

#I 8pcs



Screw
#8 x 1-3/16"

#J 2pcs



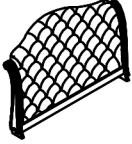





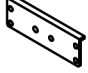
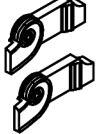

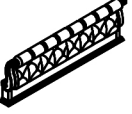


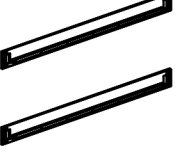


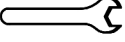

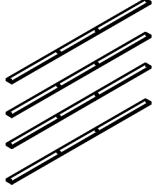
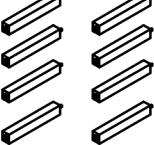
Bass

#K 2pcs



Threaded Stud
Ø5/16"x 2-3/4"

packed in 3 cases

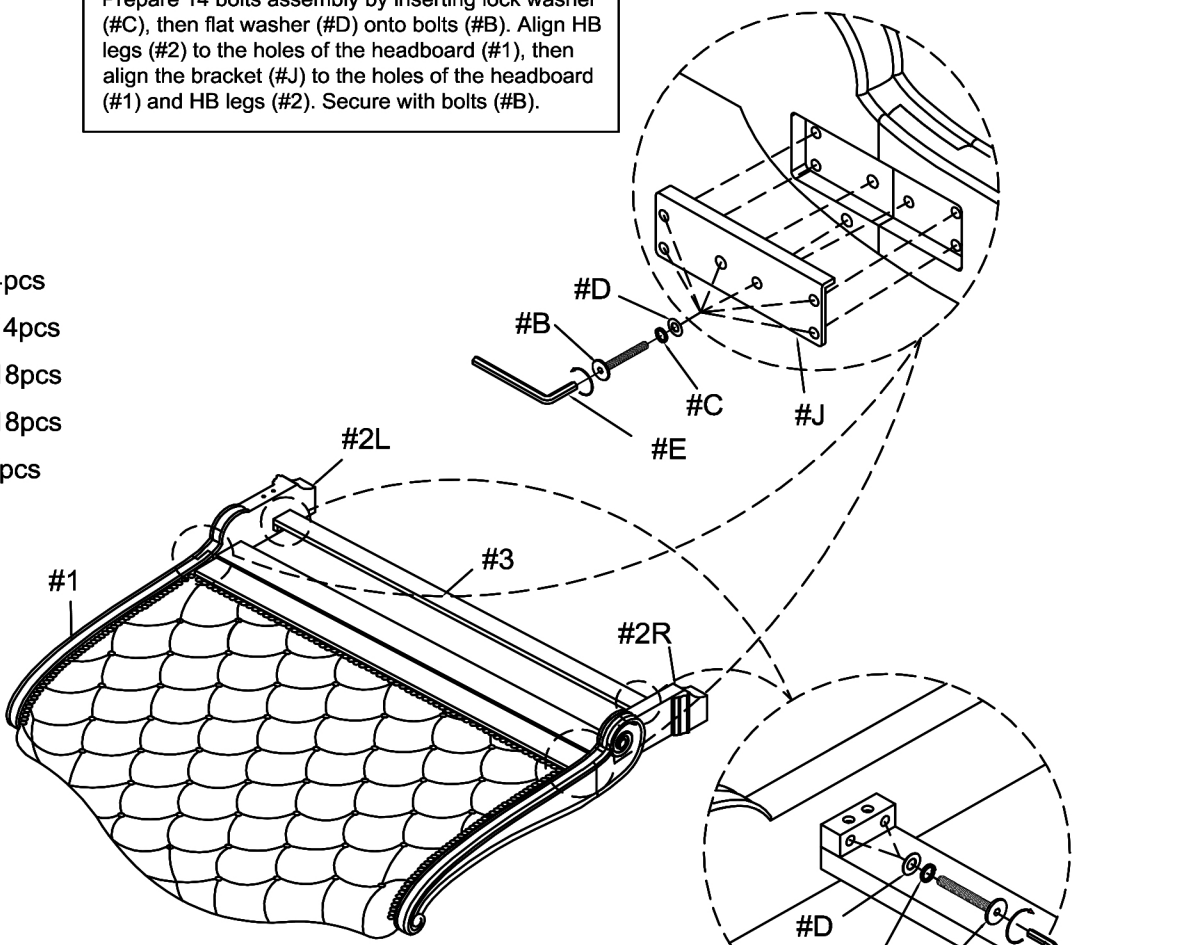
Carton	Disignation	Part		Hardware
	Headboard	#1		 #A 4pcs  #B 14pcs  #C 18pcs  #D 18pcs  #E 1pc  #J 2pcs
	H/Board Leg (R/ L)	#2		
	H/Board Leg Rail	#3		
	Footboard	#4		 #K 2pcs
	F/Board Leg	#5		
	Side Rail	#6		 #F 8pcs  #G 8pcs  #H 1pc  #I 8pcs
	Slat	#7		
	Support Leg 235*30*30mm	#8		

ASSEMBLY INSTRUCTIONS

1

Prepare 14 bolts assembly by inserting lock washer (#C), then flat washer (#D) onto bolts (#B). Align HB legs (#2) to the holes of the headboard (#1), then align the bracket (#J) to the holes of the headboard (#1) and HB legs (#2). Secure with bolts (#B).

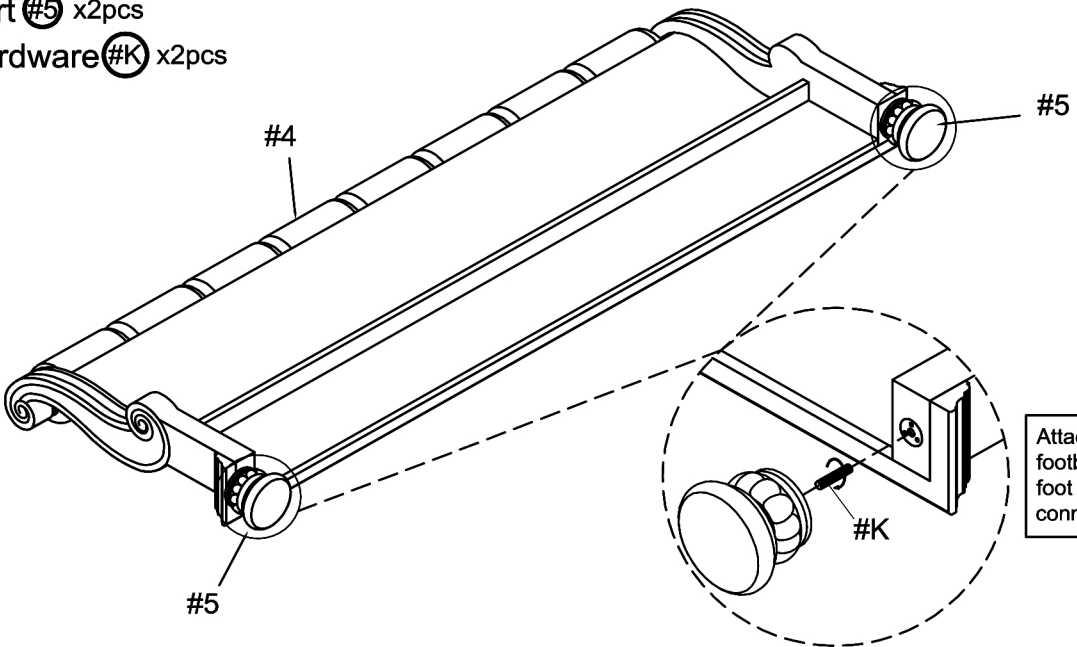
- Part #1 x1pc
- Part #2 x2pcs
- Part #3 x1pc
- Hardware #A x4pcs
- Hardware #B x14pcs
- Hardware #C x18pcs
- Hardware #D x18pcs
- Hardware #J x2pcs



Prepare 4 bolts assembly by inserting lock washer (#C), then flat washer (#D) onto bolts (#A). Align HB leg rail (#3) to the holes in-between the HB legs (#2). Secure with bolts (#A).

2

- Part #4 x1pc
- Part #5 x2pcs
- Hardware #K x2pcs



Attach threaded studs (#K) onto the footboard (#4), then attach the bun foot (#5) to the threaded studs (#K) connected to the footboard (#4).

ASSEMBLY INSTRUCTIONS

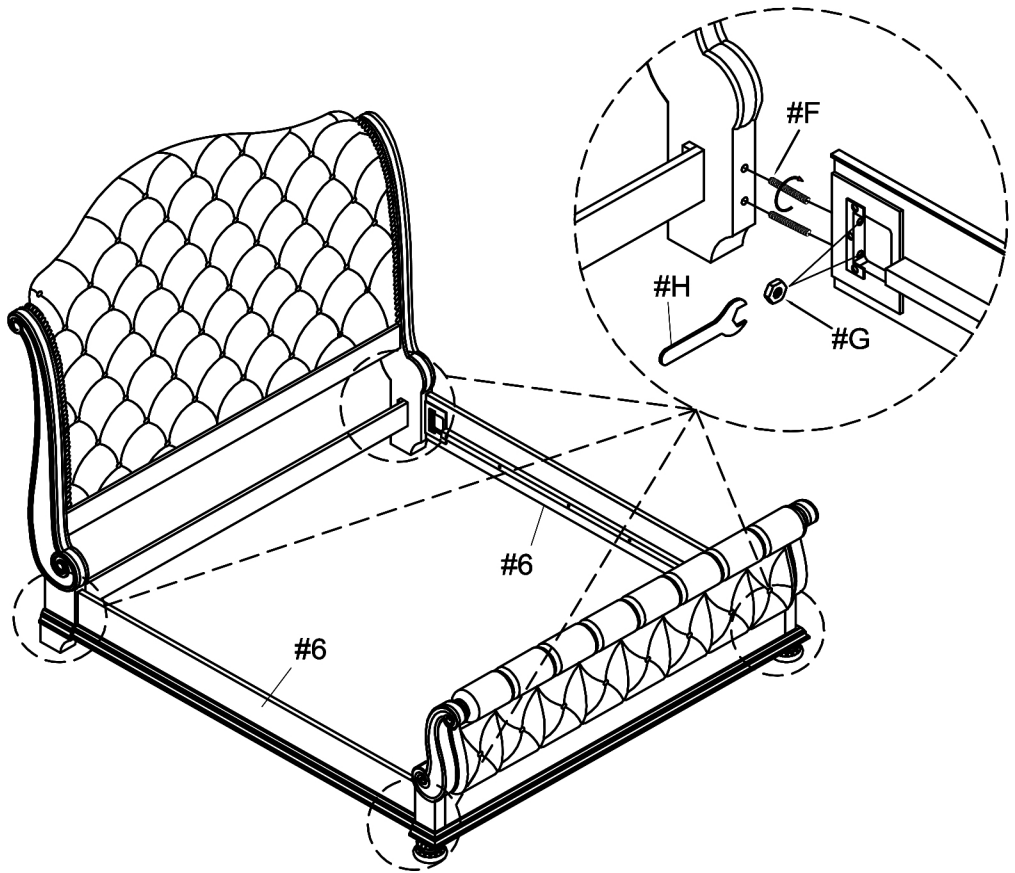
3

Attach threaded stud (#F) to the holes of the headboard (#1) and footboard (#4). Align the side rails (#6) to the holes/threads studs (#F) of the headboard (#1) and footboard (#4). Secure with hex nut (#G) onto threaded studs (#F).

Part #6 x2pcs

Hardware #F x8pcs

Hardware #G x8pcs

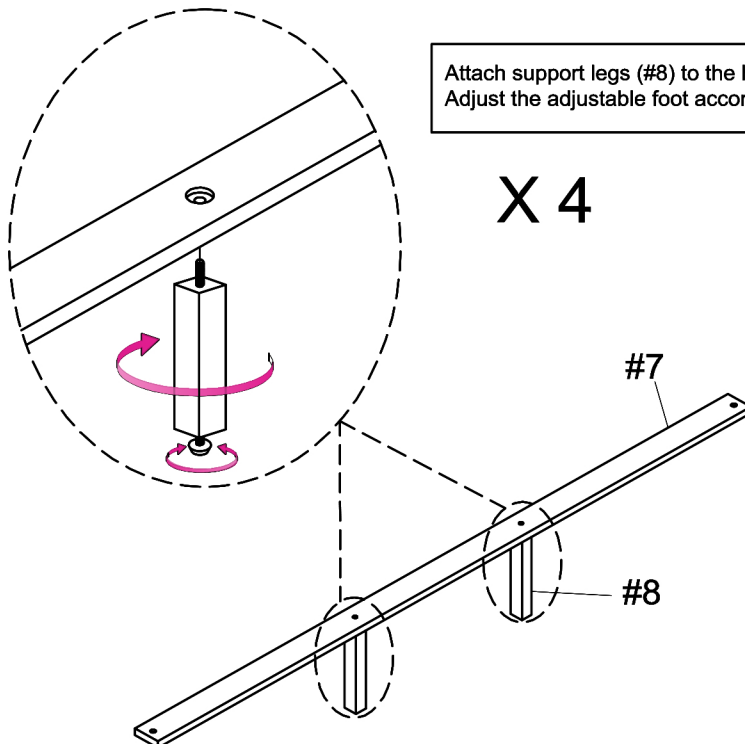


4

Part #7 x4pcs

Part #8 x8pcs

Attach support legs (#8) to the holes of each slats (#7). Adjust the adjustable foot according to ground level.

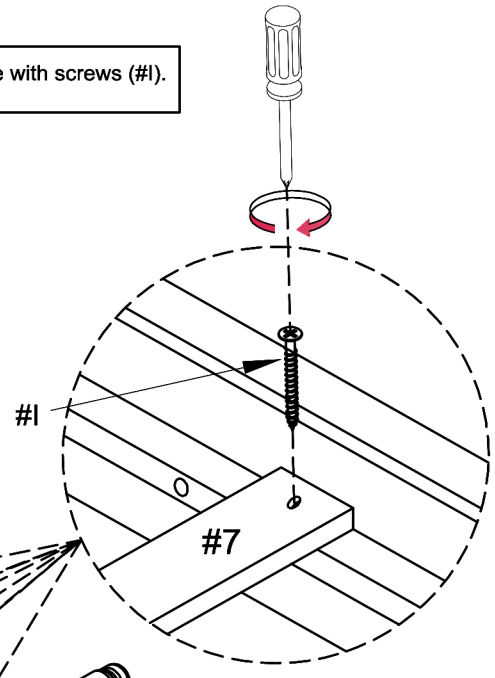
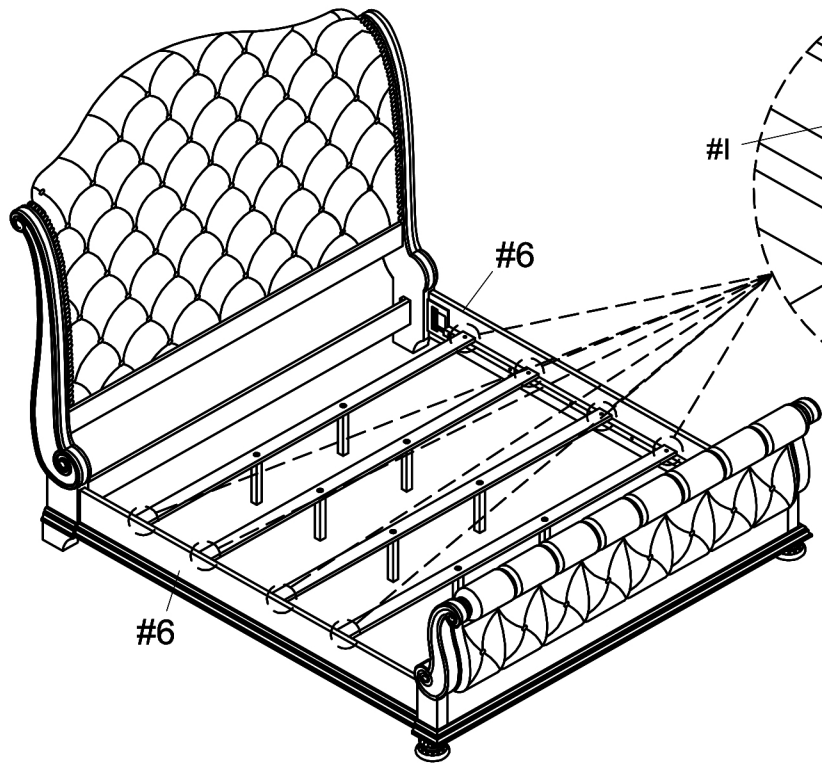


ASSEMBLY INSTRUCTIONS

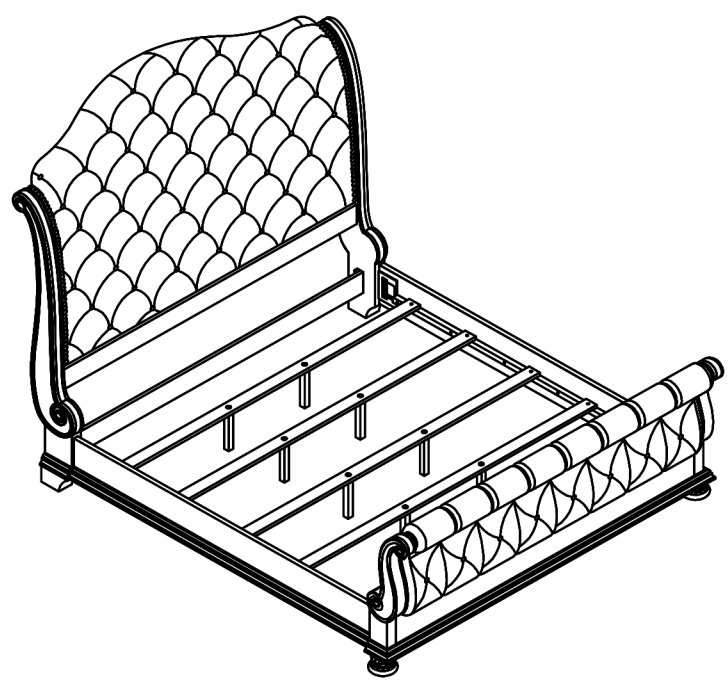
5

Align slats (#7) to the side rails (#6), then secure with screws (#1).

Hardware (#1) x8pcs



6



ASSEMBLY COMPLETED



Please ensure the furniture rests on an even and flat surface. If the product wobbles or feels loose, double-check all bolts and/or screws are properly tightened and secured.



Keep this handy!

Please retain this instruction manual and any order-related information for future reference.



Lift, don't drag!

To avoid damage to product please always LIFT the product when transporting or adjusting the placement.