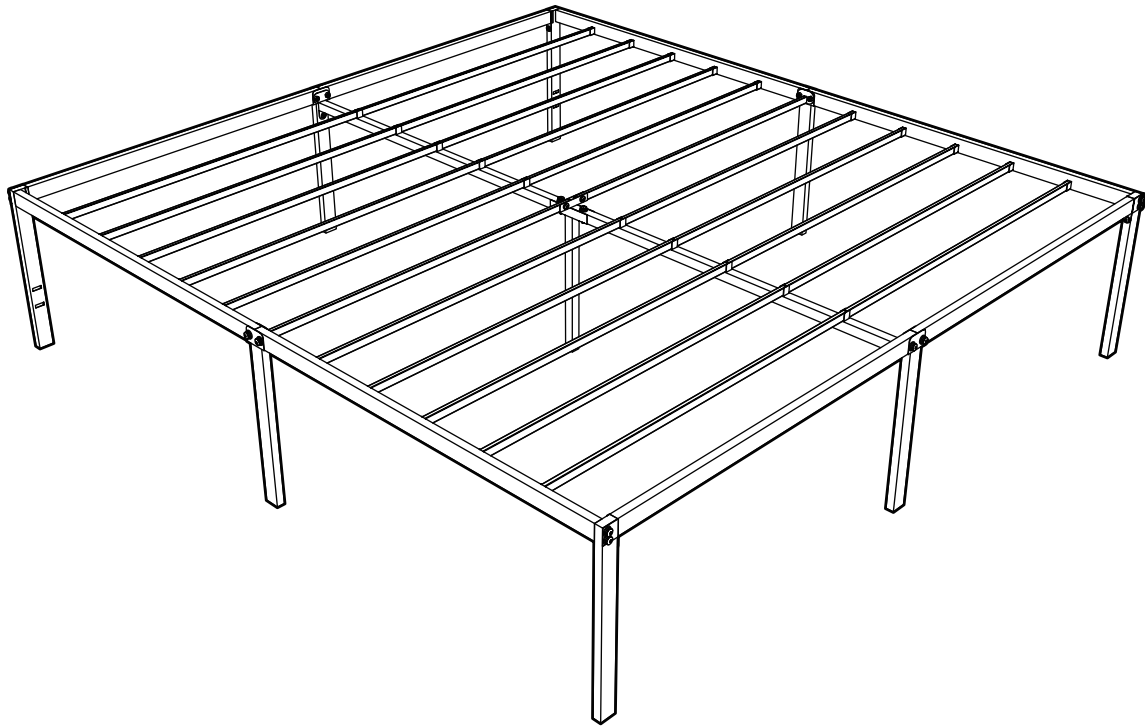


# Platform Bed Frame

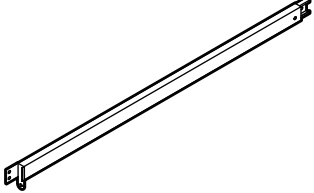
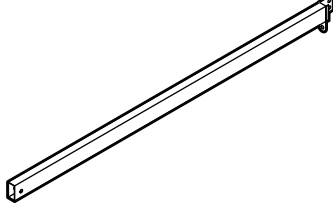




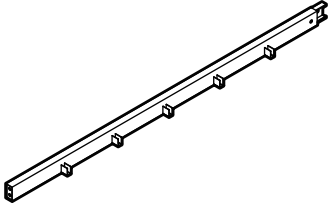
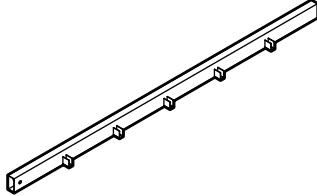


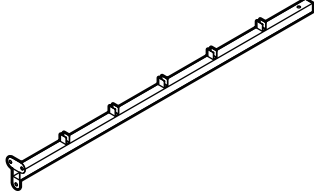
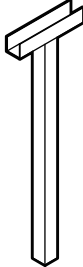
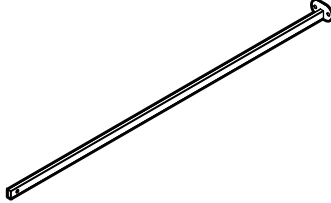
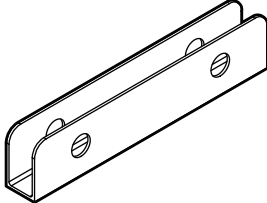
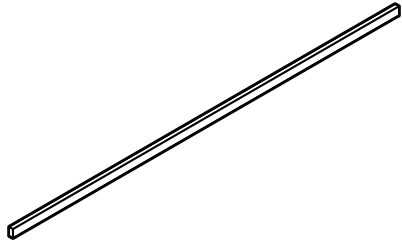
## ORIGINAL INSTRUCTION MANUAL

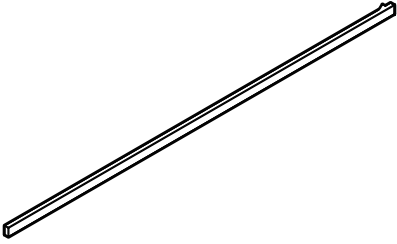
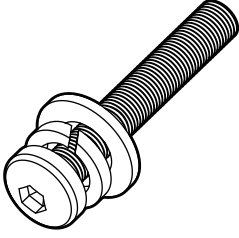
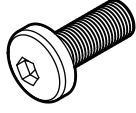
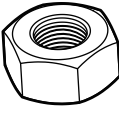
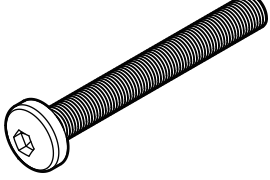

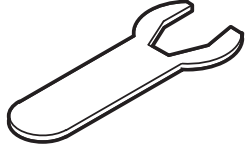


### DEAR CUSTOMER,

Thank you for choosing our product. Please read this manual carefully before assembling or using the product, to avoid damage caused by improper use. If the product is passed on to third parties, this manual has to be passed on along with the product. For any question don't hesitate to contact us.

# PARTS LIST

<p>A1</p> <p>2×</p> 	<p>A2</p> <p>2×</p> 	<p>B1</p> <p>1×</p> 
<p>B2</p> <p>1×</p> 	<p>B3</p> <p>1×</p> 	<p>B4</p> <p>1×</p> 
<p>C1</p> <p>2×</p> 	<p>C2</p> <p>2×</p> 	<p>D1</p> <p>2×</p> 
<p>D2</p> <p>2×</p> 	<p>F</p> <p>2×</p> 	<p>G</p> <p>1×</p> 
<p>I</p> <p>2×</p> 	<p>J</p> <p>1×</p> 	<p>K1</p> <p>12×</p> 

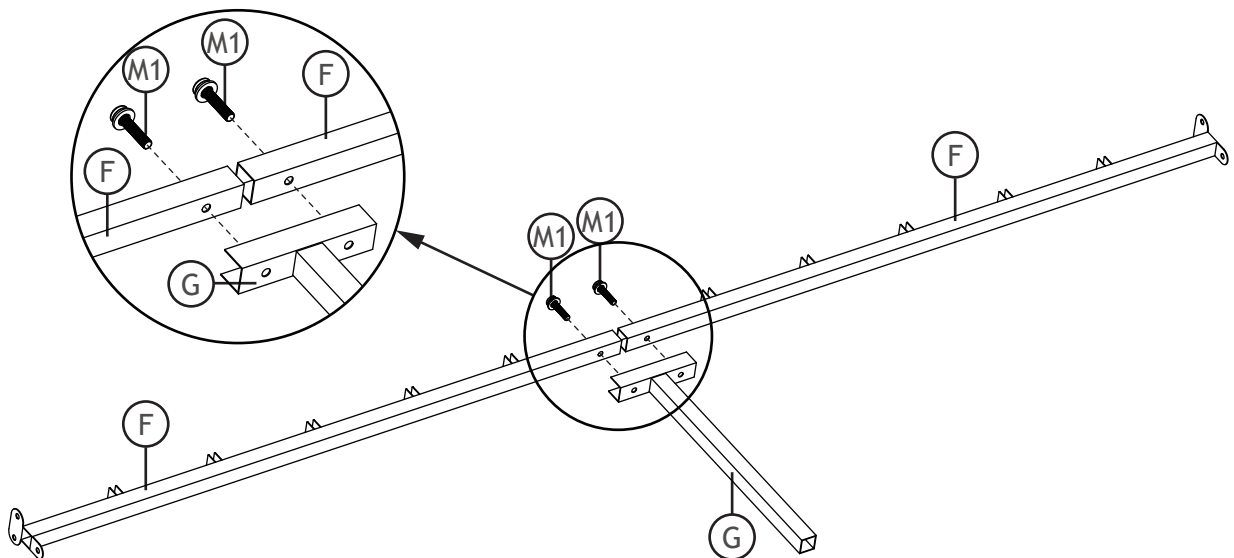
K2 8×	M1 18×	M2 8×
	 M8×40	 M8×20
M3 10×	M4 1×	M5 1×
 M8	 M6×50	 Spanner
		M6 1×
		 Spanner

## ASSEMBLY

Before your installation, please make sure that you have all the parts listed on the manual. If you find something missing, stop installing and contact your supplier immediately.

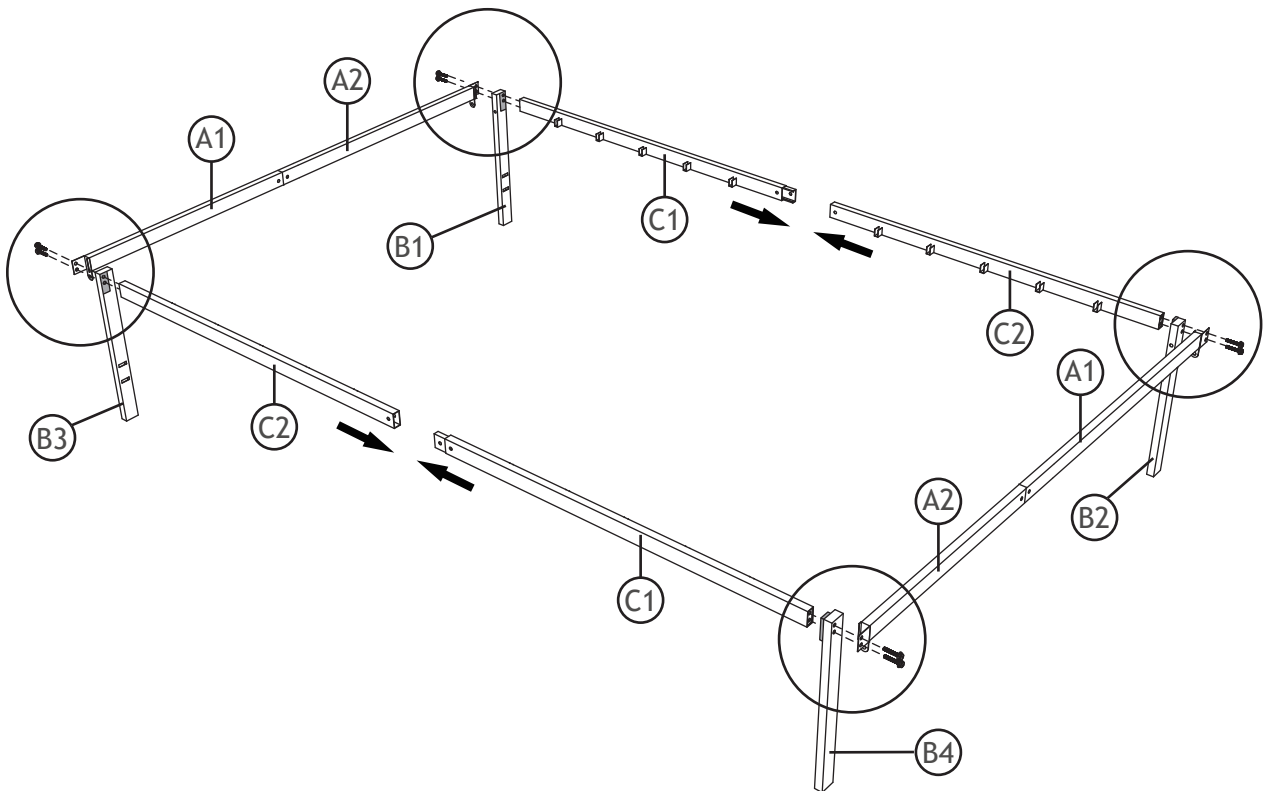
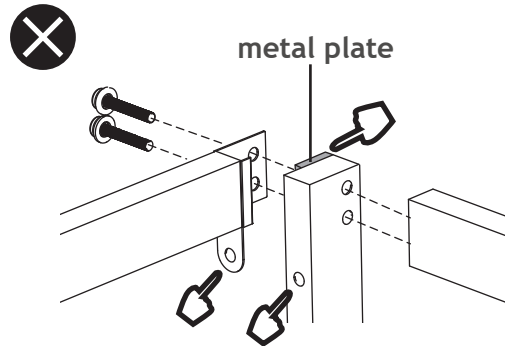
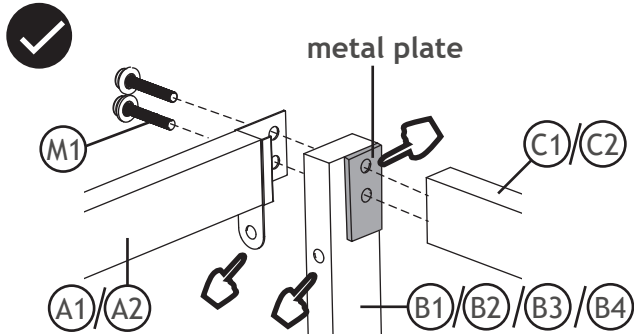
**NOTE: Please do not completely tighten all the hardwares until the entire assembly is completed!**

1

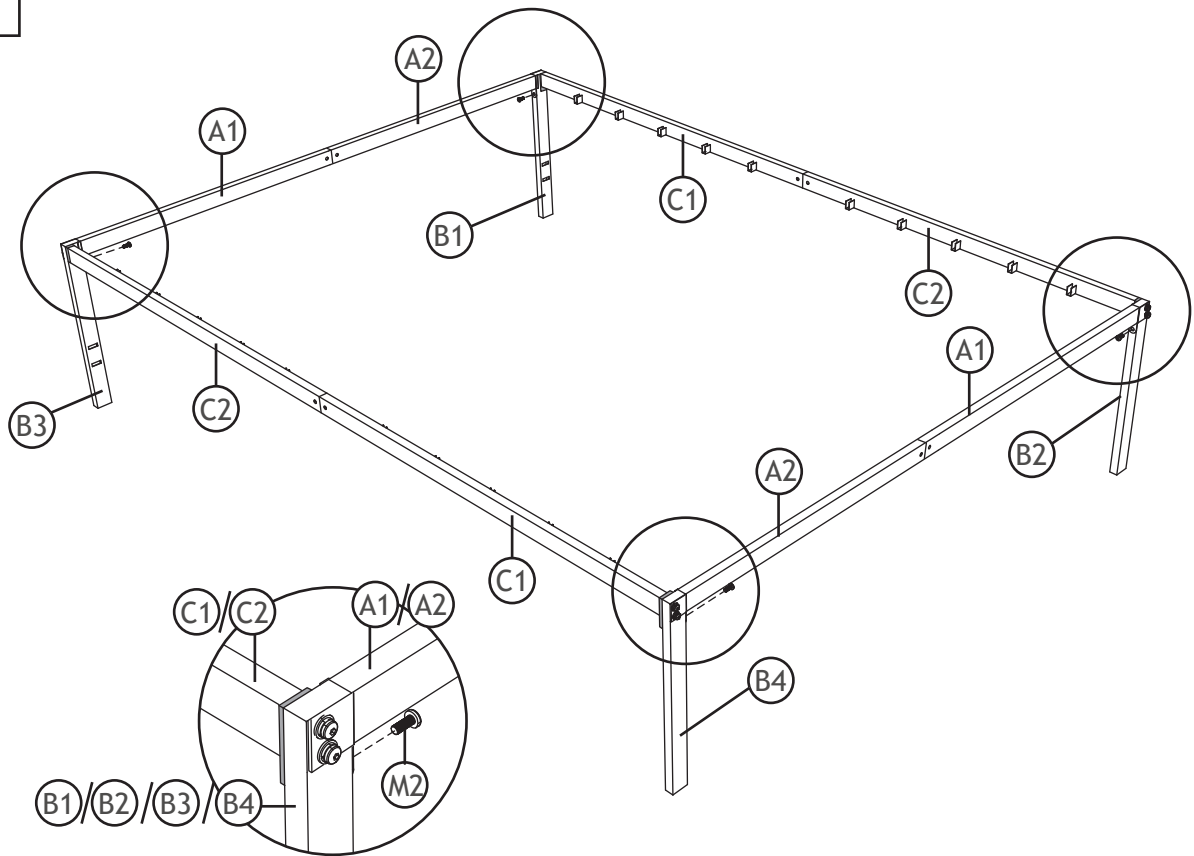


2

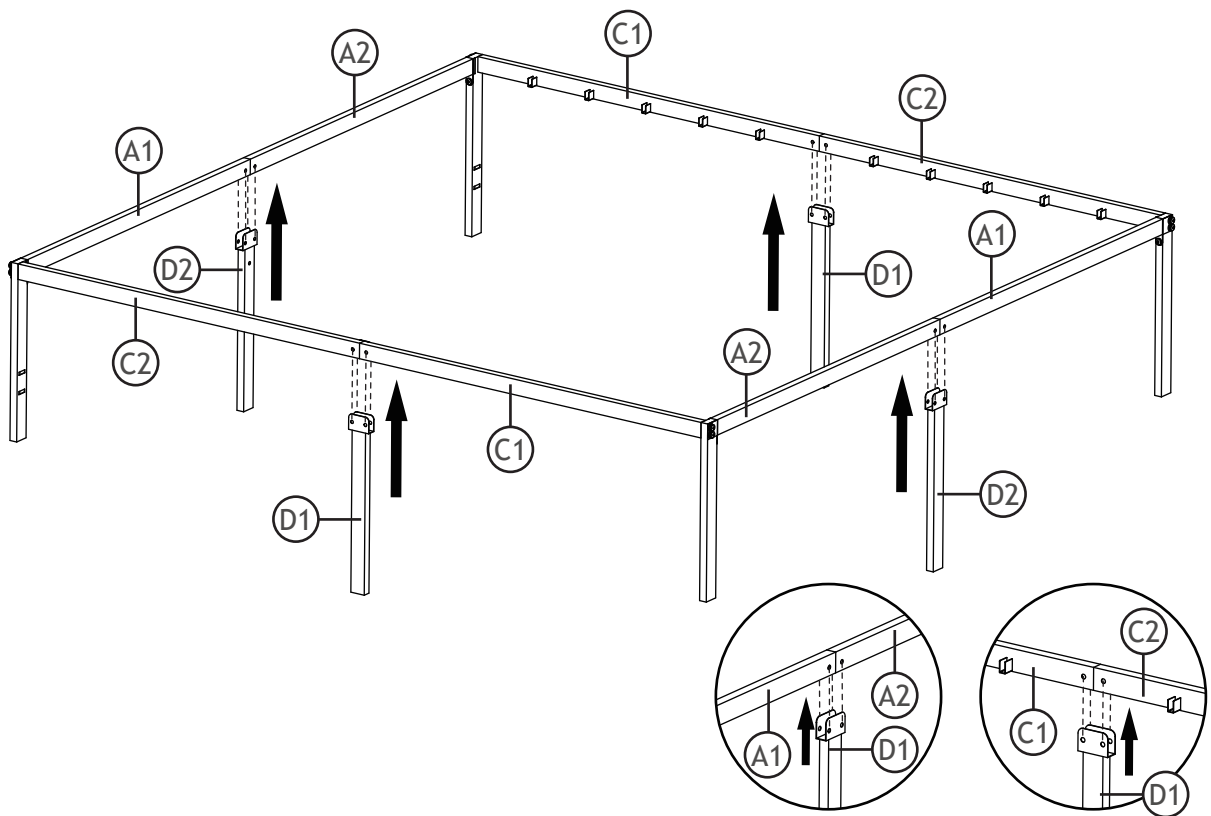
Please make sure that the **metal plate** is towards part C1(C2).



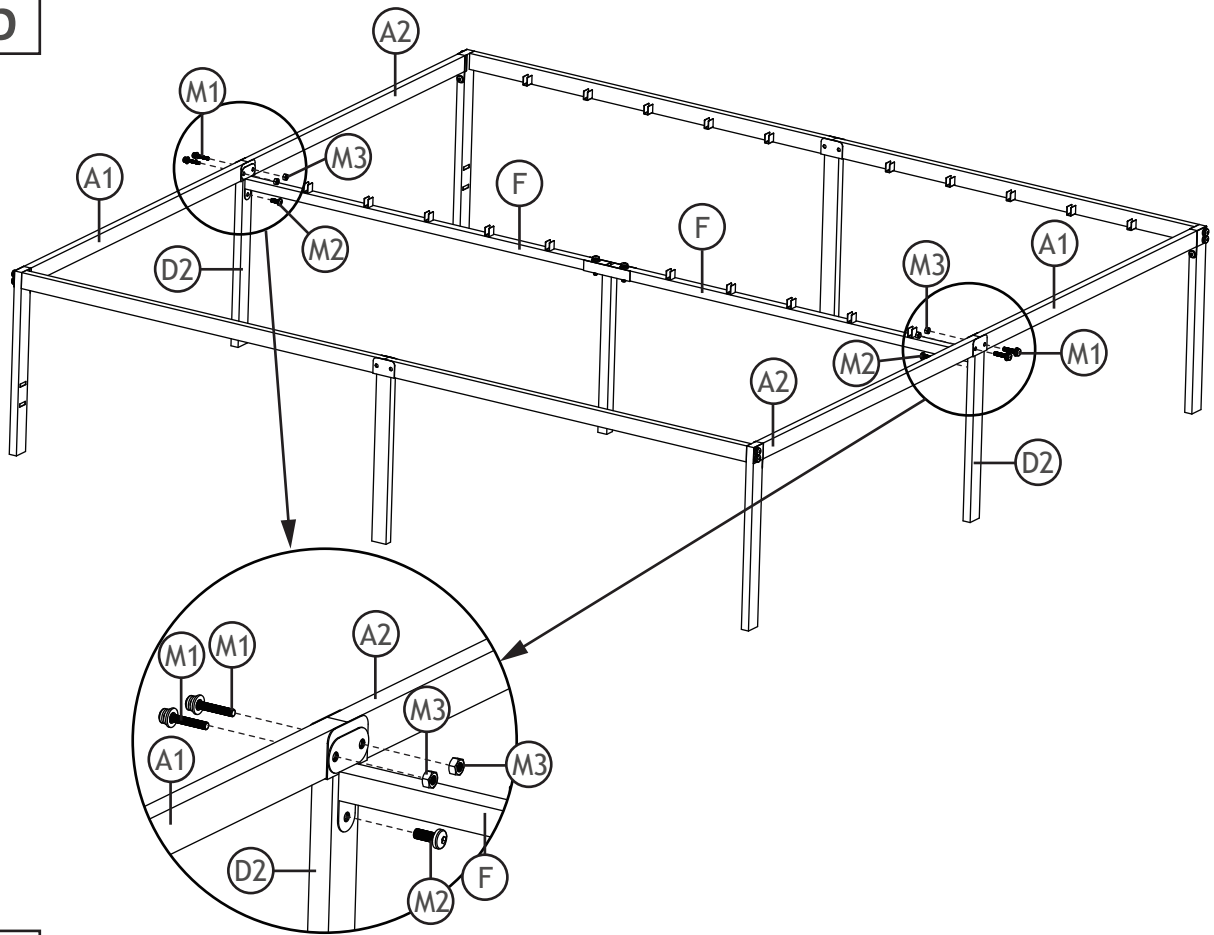
3



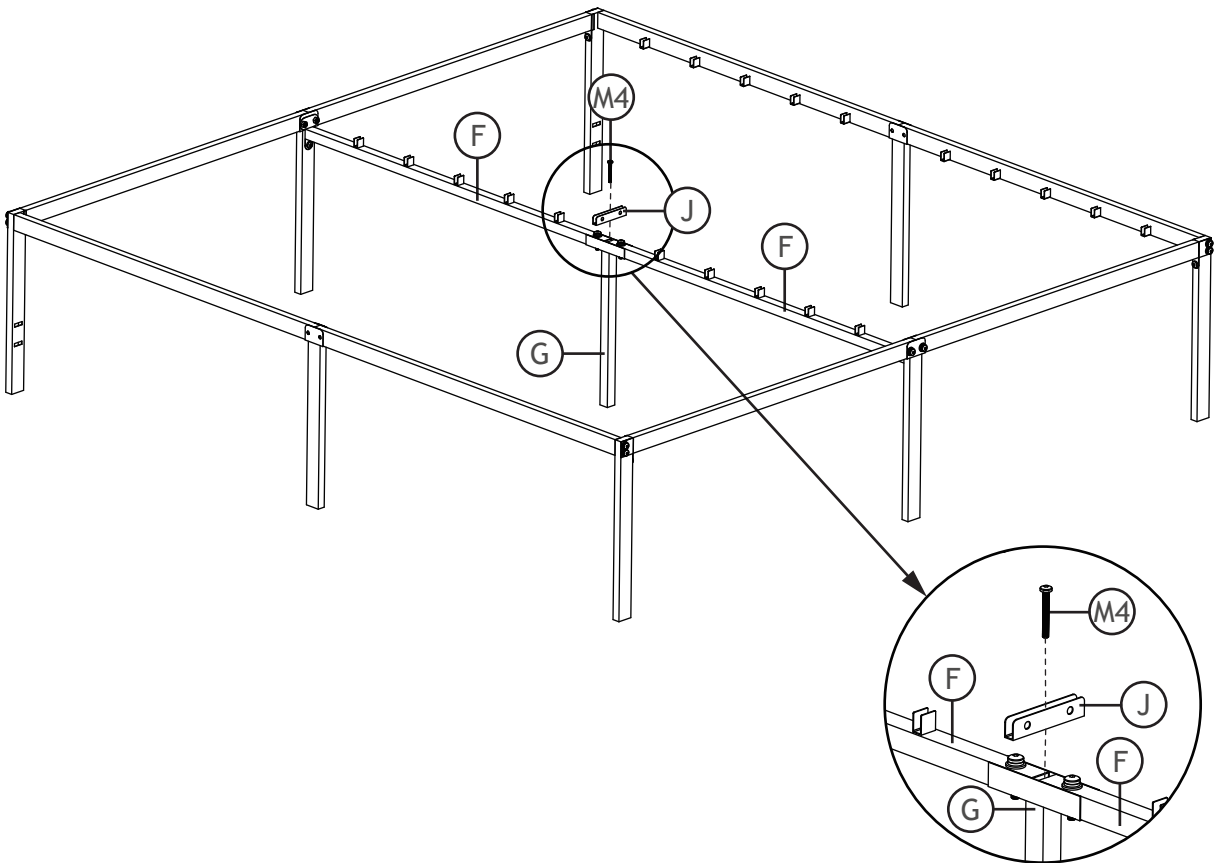
4



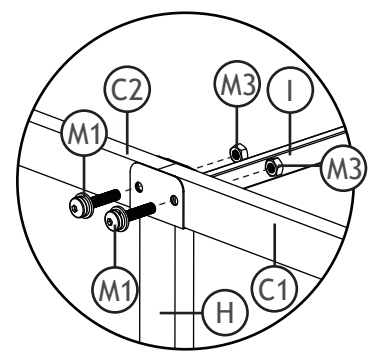
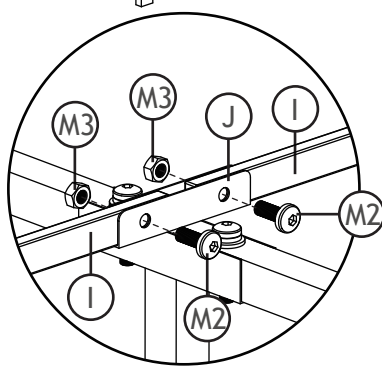
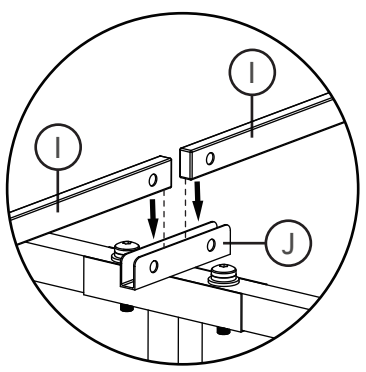
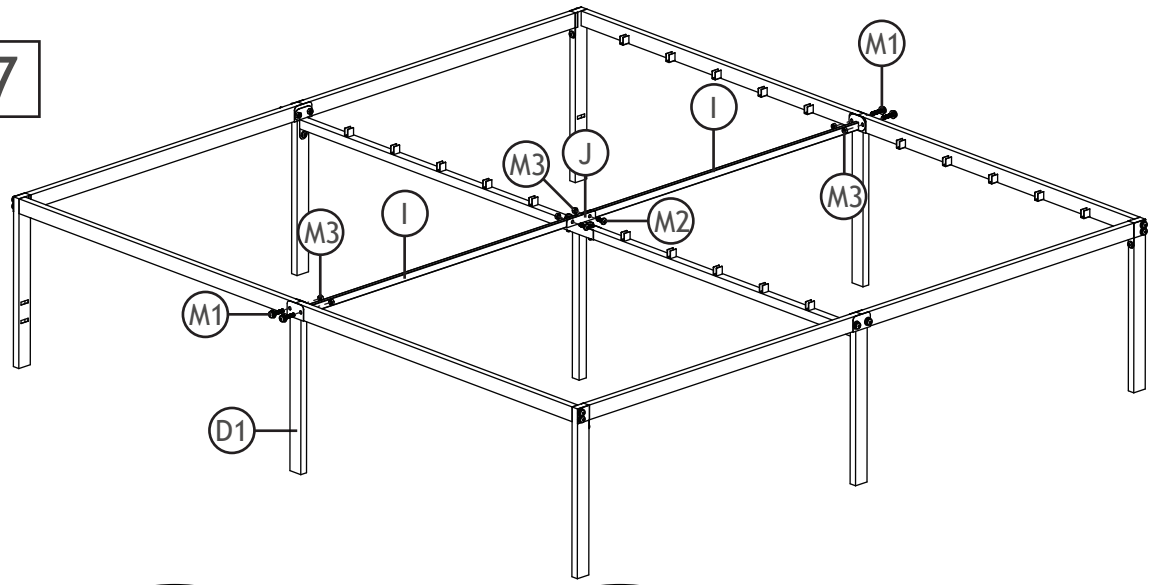
5



6

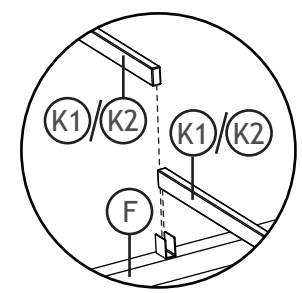
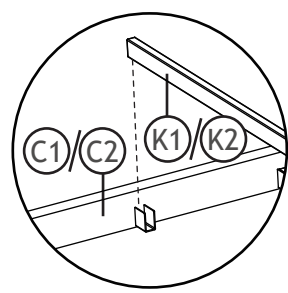
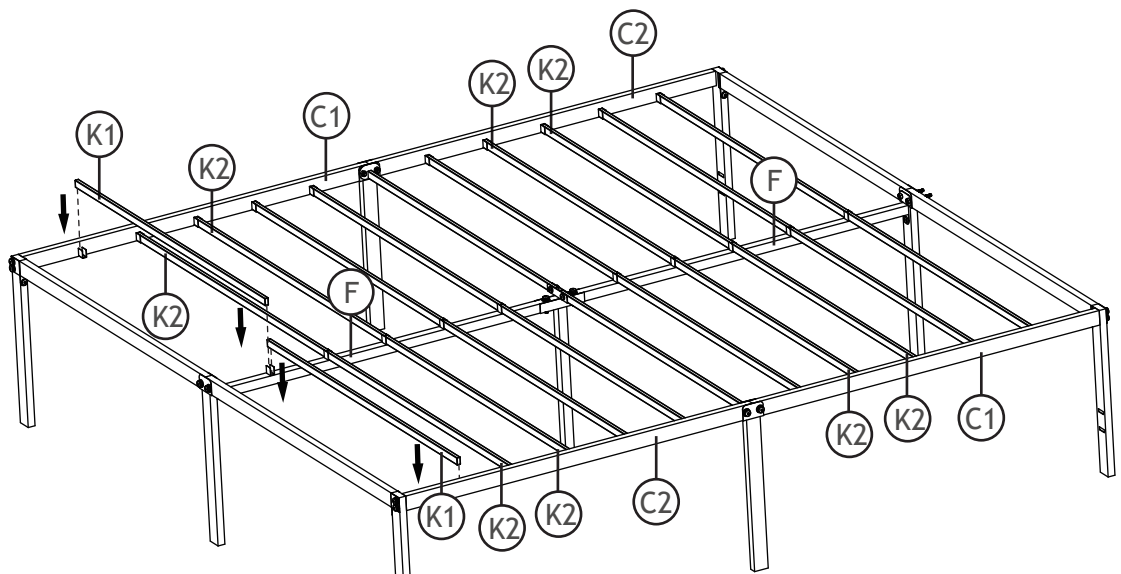


7



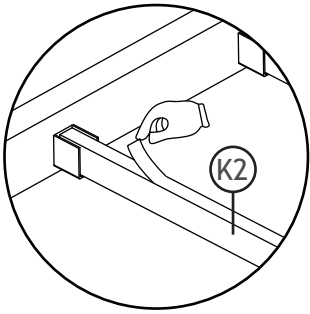
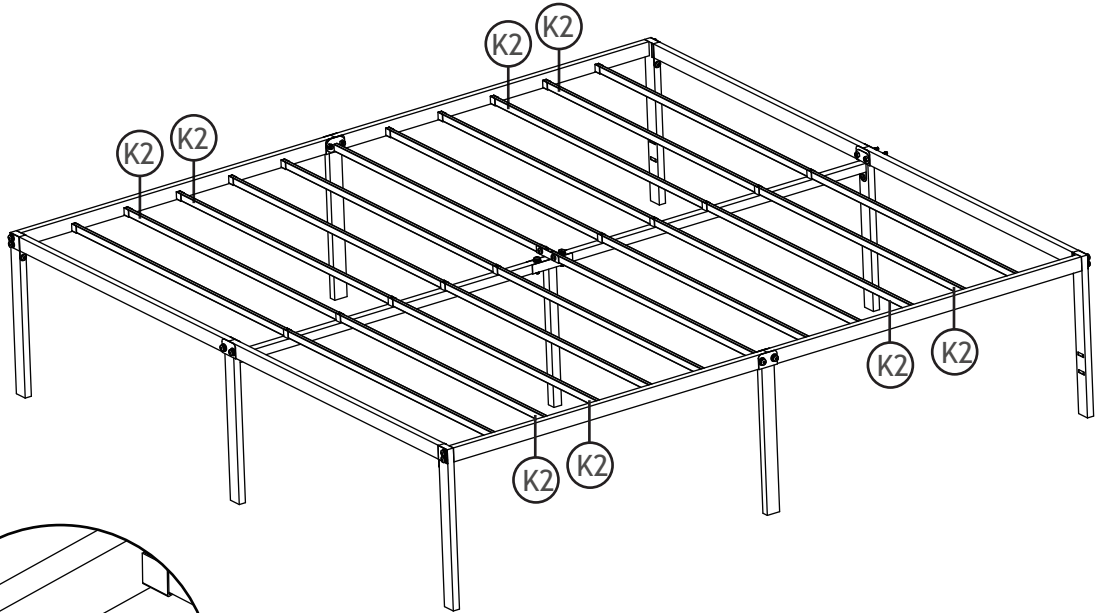
Note: Please keep the label 'up' facing up.

8



Note: K2 has double-sided tape facing up

9



**Note:** If you want to secure the mattress more securely, please remove the double-sided tape side from the K2.

10

