

**ASSEMBLY TIPS :**

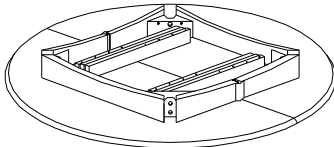
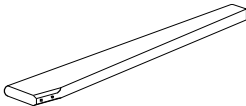
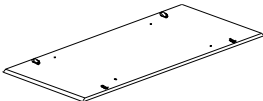
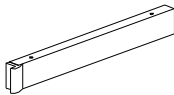
1. Remove hardware from box and sort by size.
2. Please check to see that all hardware and parts are present prior to start of assembly.
3. Please follow attached instruction in the same sequence as numbered to assure fast & easy assembly.



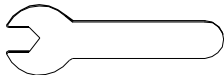

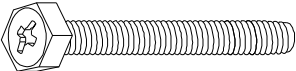


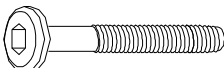
**Warning !**

1. Don't attempt to repair or modify parts that are broken or defective. Please contact the store immediately.
2. This product is for home use only and not intended for commercial establishment.

**PARTS IDENTIFICATION:**

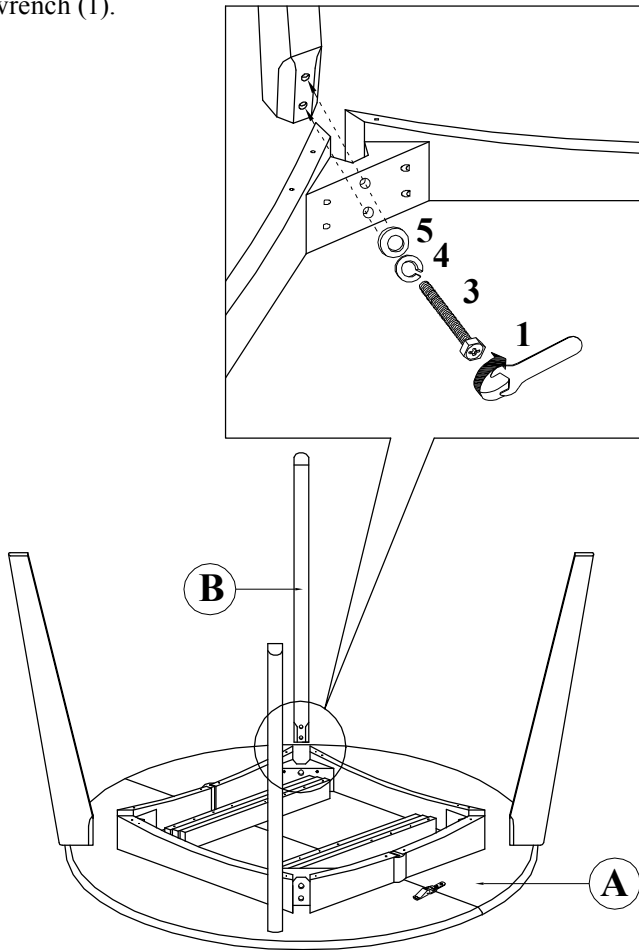
<b>A</b>		TABLE TOP	1PC
<b>B</b>		TABLE LEG	4PCS
<b>C</b>		EXTENSION LEAF	1PC
<b>D</b>		APRON	2PCS

**HARDWARE IDENTIFICATION:**

<b>1</b>		WRENCH	1PC
<b>2</b>		ALLEN WRENCH	1PC
<b>3</b>		HEX BOLT	8PCS
<b>4</b>		LOCK WASHER	8PCS
<b>5</b>		FLAT WASHER	8PCS
<b>6</b>		BOLT	4PCS

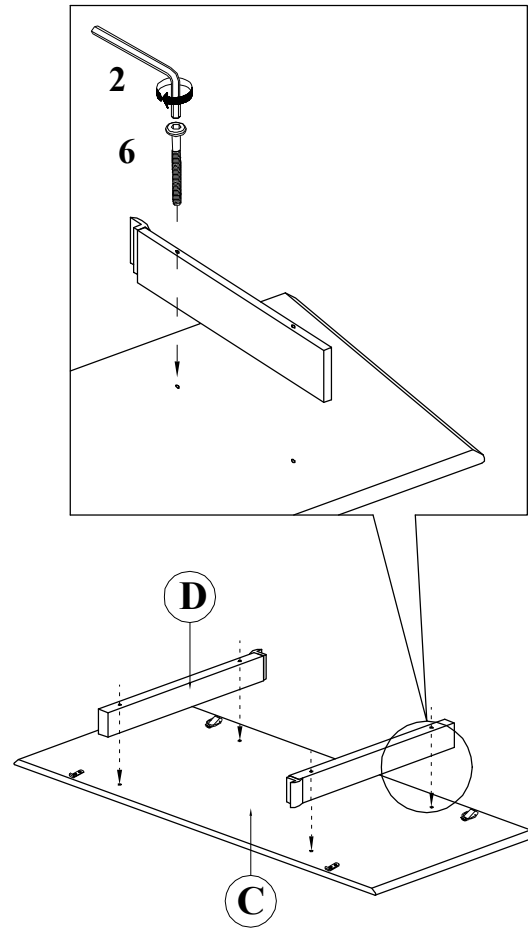
### STEP 1

Place table top (A) upside down on soft surface. Align and fasten all table legs (B) to table top (A) using hex bolt (3), lock washer (4) and flat washer (5). Then fully tighten with wrench (1).



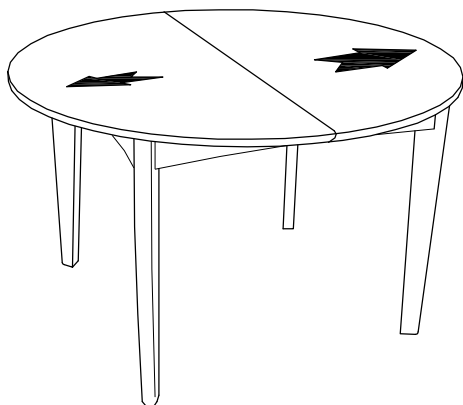
### STEP 2

Place extension leaf (C) upside down on soft surface. Align and fasten aprons (D) to extension leaf (C) using bolts (6). Then fully tighten with Allen wrench (2).



### STEP 3

Flip table over using two people to lift and flip this table. Then unlock table and pull apart.



### STEP 4

Place extension leaf onto the middle of the table. Push table top together making sure pins line up and table top close tightly. Then tighten all locks underneath the table top.

