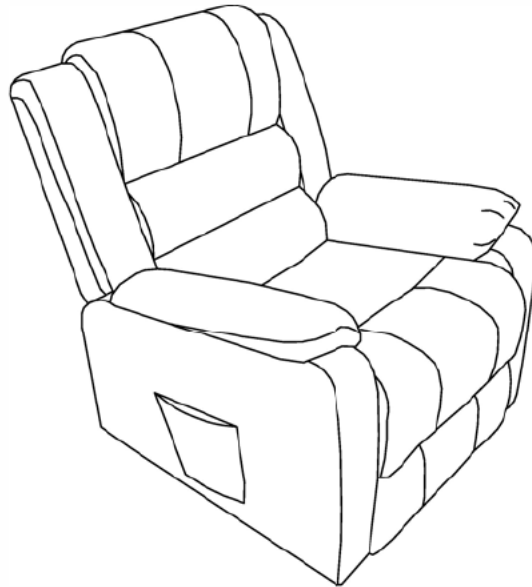


RECLINER W/ POWER LIFT

ASSEMBLY INSTRUCTIONS



RECLINER W/ POWER LIFT

PARTS LIST

PART	DRAWING	DESCRIPTION	QTY	PART	DRAWING	DESCRIPTION	QTY
A		SEAT	1	E		WIRE	1
B		BACKREST	1	F		ADAPTOR	1
C		LSF WING	1	G		PLUG WITH WIRE	1
D		RSF WING	1	H		REMOTE CONTROL	1

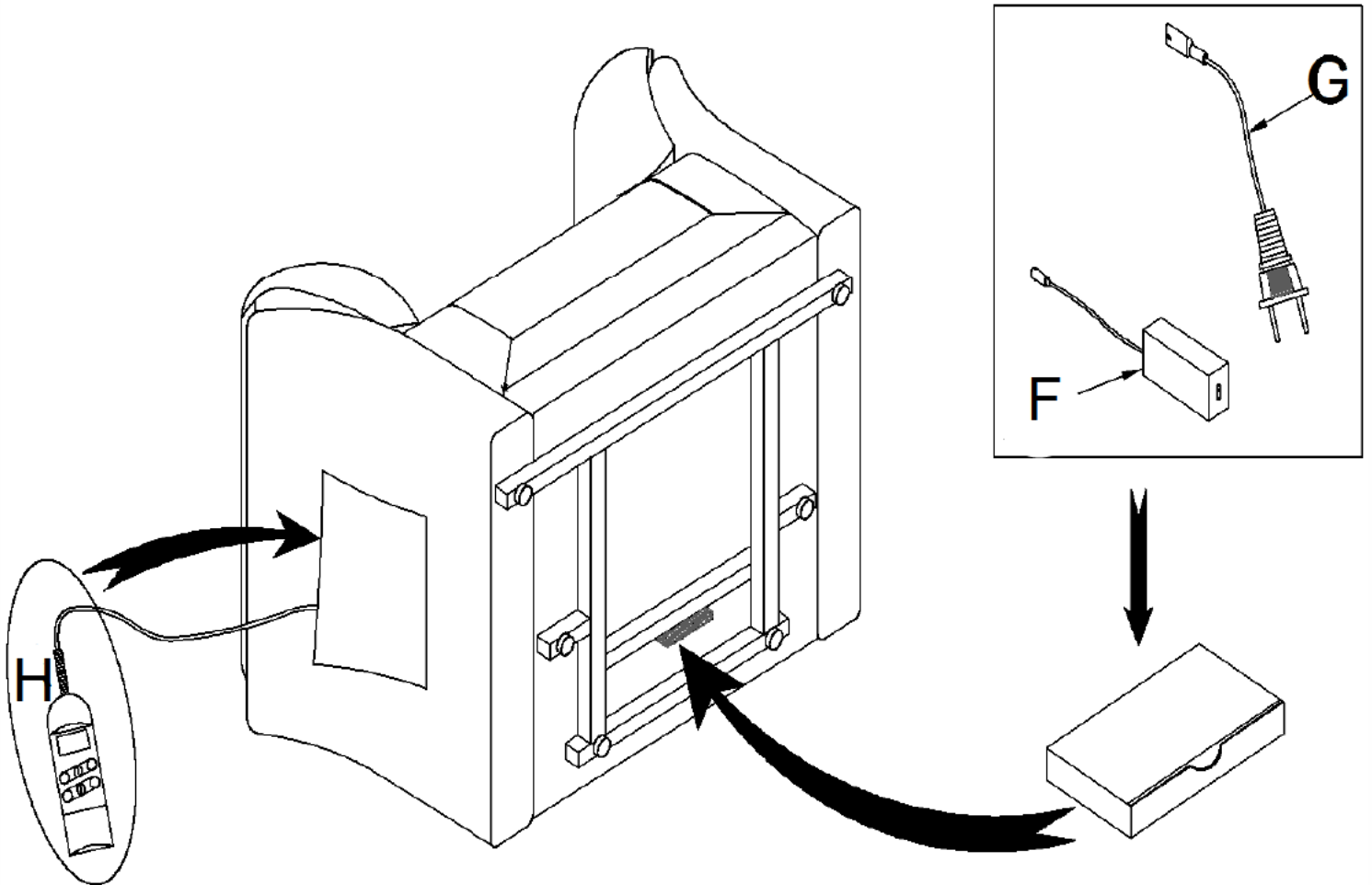
NOTES :

1. CHECK CAREFULLY FOR SMALL PARTS WHICH MAY COME LOOSE DURING SHIPMENT.
2. REMOVE ALL COMPONENTS FROM THE PACK AND PLACE ON A CLEAN, SOFT SURFACE TO ASSEMBLE.
3. UNITS SHOULD BE ASSEMBLED BY TWO OR MORE PEOPLE.
4. DO NOT OVER - TIGHTEN SCREW/ BOLTS UNTIL ASSEMBLY IS COMPLETED.
5. WITH USE, SCREW MAY BE COME LOOSE & MUST BE TIGHTENED PERIODICALLY.



ASSEMBLY INSTRUCTIONS

THE PARTS ARE LOCATED INSIDE THE BOX AS BELOW:



**THE REMOTE CONTROL PUT
INSIDE THE SIDE BAG**

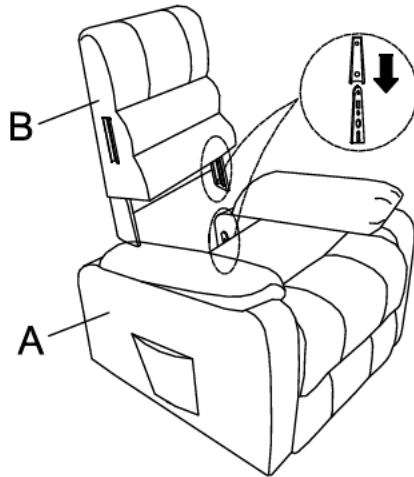
**ADAPTOR & PLUG PUT INSIDE
THE BOX UNDER METAL FRAME**

NOTES :

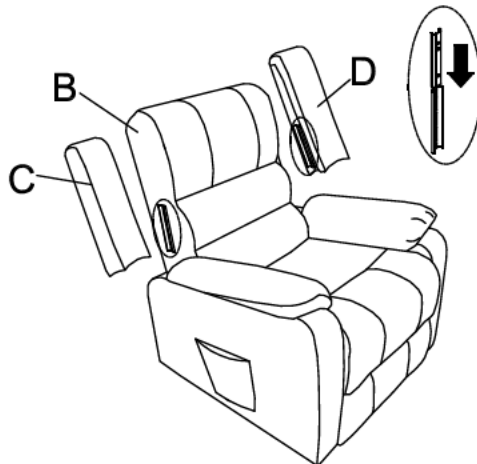
1. CHECK CAREFULLY FOR SMALL PARTS WHICH MAY COME LOOSE DURING SHIPMENT.
2. REMOVE ALL COMPONENTS FROM THE PACK AND PLACE ON A CLEAN, SOFT SURFACE TO ASSEMBLE.
3. UNITS SHOULD BE ASSEMBLED BY TWO OR MORE PEOPLE.
4. DO NOT OVER - TIGHTEN SCREW/ BOLTS UNTIL ASSEMBLY IS COMPLETED.
5. WITH USE, SCREW MAY BE COME LOOSE & MUST BE TIGHTENED PERIODICALLY.



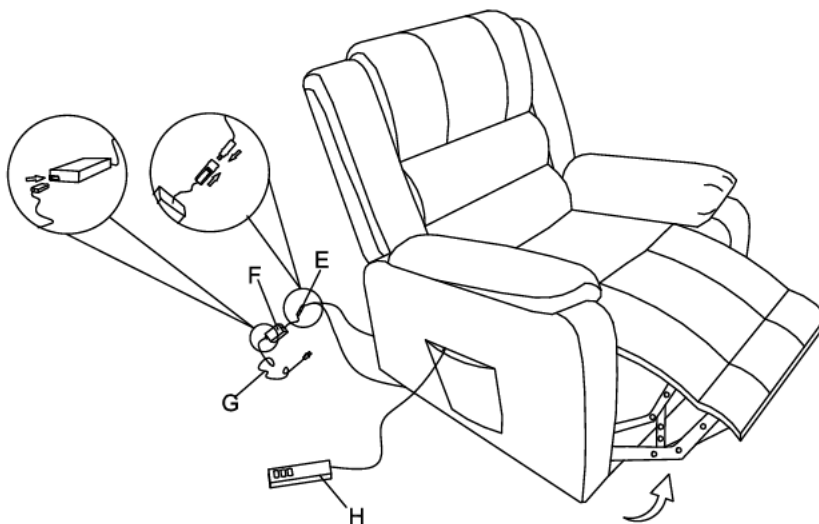
STEP 1 Attach the Backrest (B) to the Seat (A).



STEP 2 Attach the Wing (C/D) to the Backrest (B).



**STEP 3 Connect the Remote & Power strip w/ the Power source.
Open reclining w/ remote function.**



ASSEMBLY COMPLETED