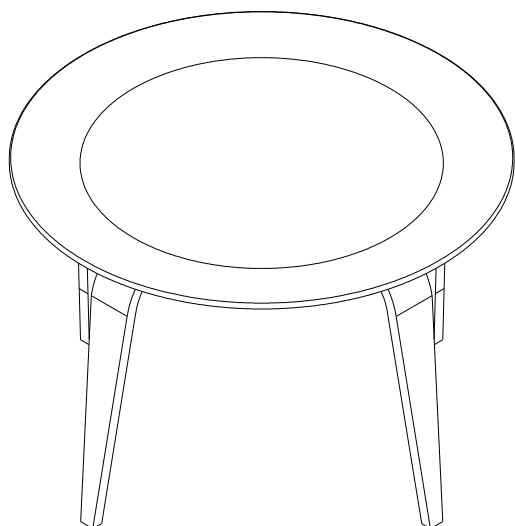


COFFEE TABLE


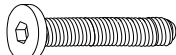
Thank you for purchasing the **COFFEE TABLE**.

Before you start, here are some helpful advice:

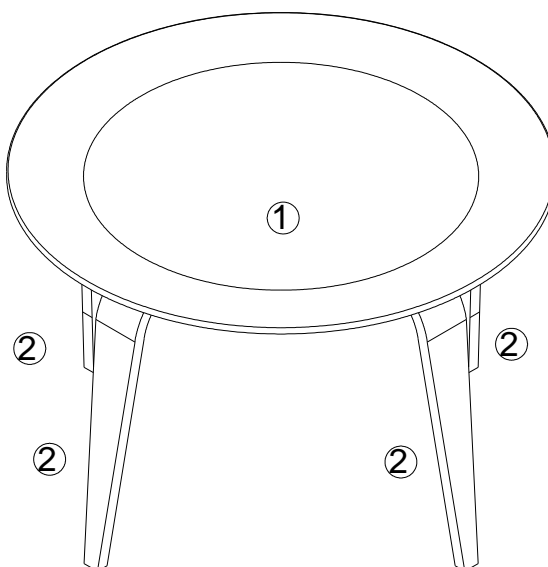
1. We suggest you spend a short time reading through this leaflet and then follow the simple step-by-step instructions.
2. Owing to the size and weight of the table, we recommend that it is assembled by two adults, on a carpeted or padded area, in the room that it is intended for. Approximate assembly time: 15 minutes.
3. Please do not use any tools other than those provided or recommended in these instructions.
4. Please do not throw away any of the packaging or the instruction until you have checked all the components and hardware and the furniture is fully assembled. Please ensure that the packaging is disposed of in a safe and environmentally friendly way.
5. Assemble all components loosely until advised to tighten. Depending on use, it may be necessary to tighten the components from time to time, so please save the tools that have been provided.
6. Please keep all fitting out of reach of children.



Hardware:

- A.  Allen Wrench M4 x 1
- B.  Bolt M6x30mm x 8

Components:



1 Top Panel x1

2 Leg x 4

COFFEE TABLE

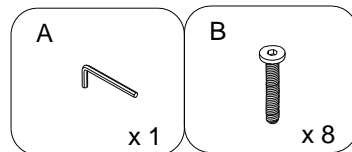
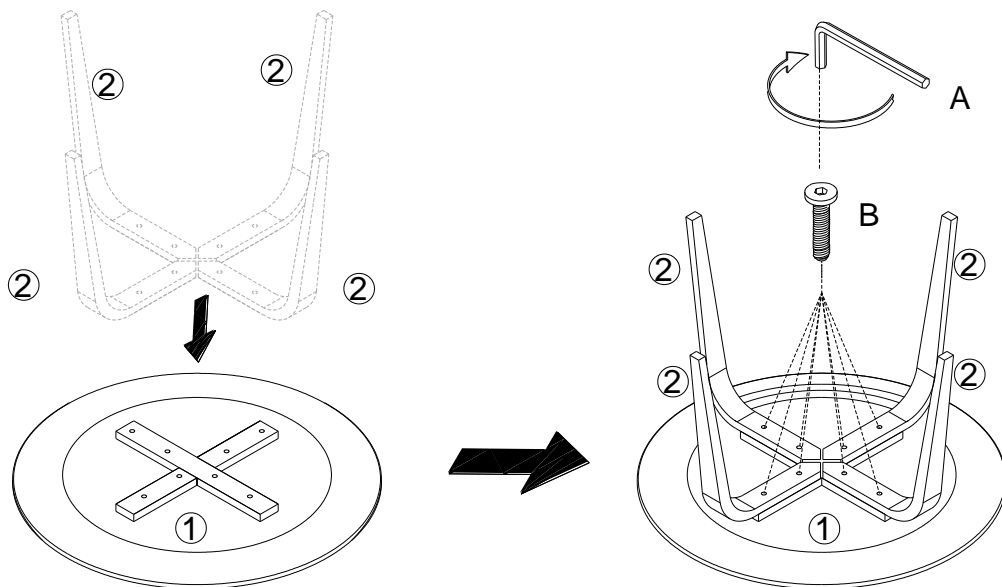
STEP 1:

Put **Top Panel (1)** on a carpeted or padded surface.

Place **Legs (2)** to the back of the **Top Panel (1)** as shown.

Insert 2 pieces of **Bolts (B)** into the pre-drilled holes on 1 piece **Leg (2)** through the pre-drilled holes on **Top Panel (1)**. Use **Allen Wrench (A)** to tighten **Bolts (B)** clockwise until secure.

Repeat the same way to assemble the other three pieces of **Legs (2)**.



Hardware & Tools required

STEP 2:

Carefully turn over the assembled coffee table.

Assembly is complete. Your coffee table is ready to be used now!

