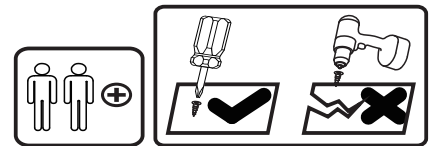
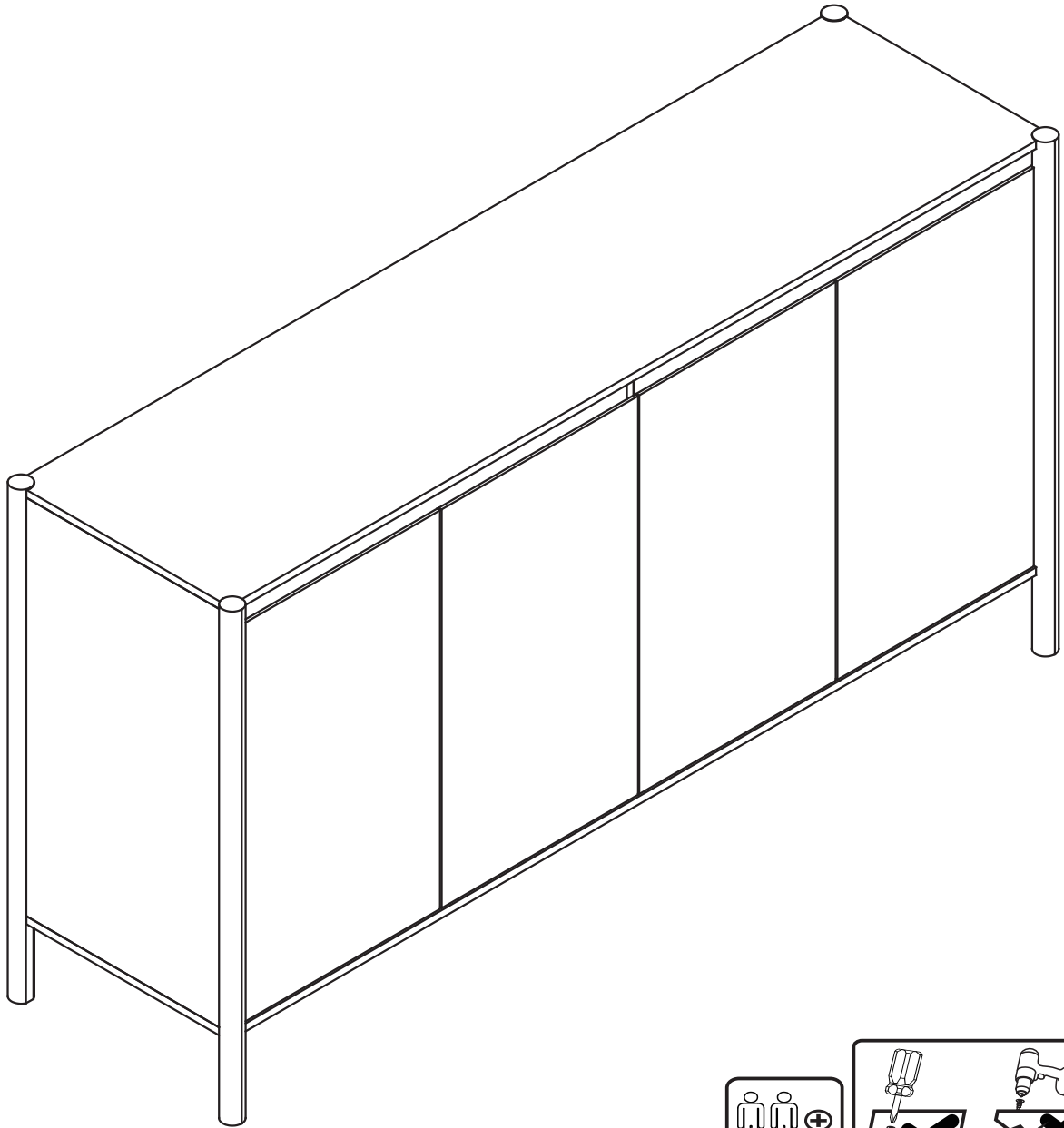


ASSEMBLY INSTRUCTIONS



Tools Recommended

THIS INSTRUCTIONS CONTAINS IMPORTANT SAFETY INFORMATION.

PLEASE READ BEFORE ASSEMBLY AND KEEP FOR FUTURE REFERENCE.

Need Parts or Assistance? Email us at support@homejoyee.com

IMPORTANT NOTICE

- This product contains small components, please ensure that they are kept away from small children.
- THIS INSTRUCTIONS CONTAINS IMPORTANT SAFETY INFORMATION. PLEASE READ BEFORE ASSEMBLY AND KEEP FOR FUTURE REFERENCE.
- Read each step carefully. It is very important that each step of instruction is performed in the correct order. If these steps are not followed in sequence, assembly difficulties will occur.
- Make sure all parts are included. Most parts are labelled or stamped on the raw edge.
- Work in spacious area, preferably on a carpet, near the place the unit will be used.
- Do not use power tools to assemble your furniture. Power tools may strip or damage the parts.
- Move your new furniture carefully, with two people lift and carry the unit to it's new location.
- Never push, drag or pull your furniture (especially on carpet)



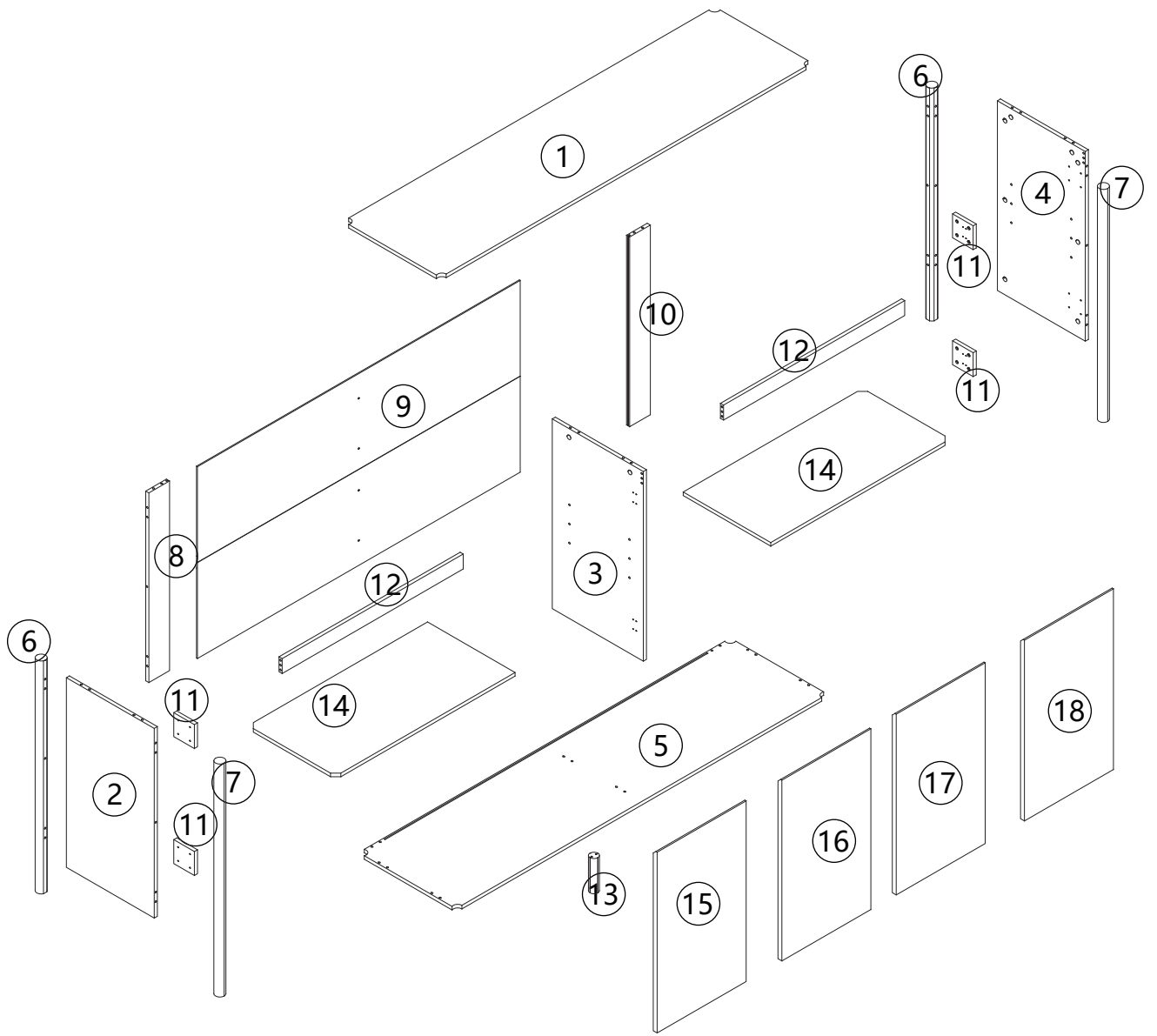
PLEASE DO NOT RETURN PRODUCT TO US IMMEDIATELY










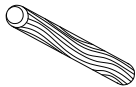







If a part is missing or damaged, email our customer service. We will gladly ship your replacement parts FREE of charge.

Need Parts or Assistance? Email us at [**support@homejoyee.com**](mailto:support@homejoyee.com)

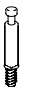
For Prompt, reliable service, please have your assemble instruction ready.

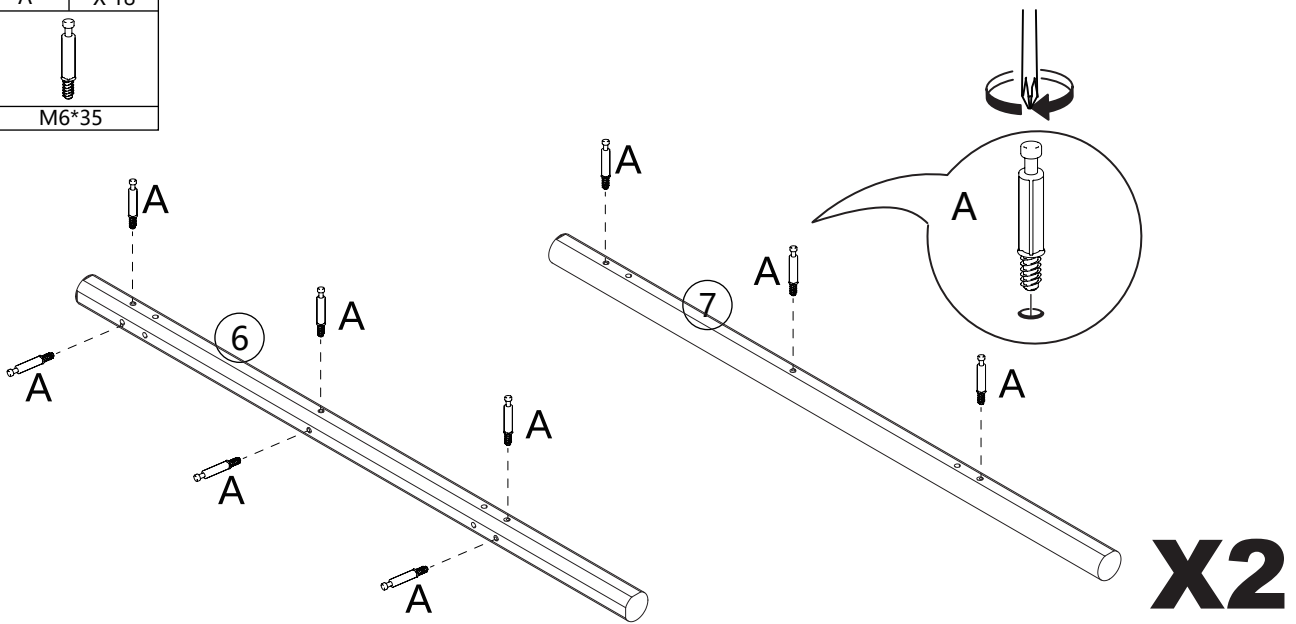
 WARNING	
	<p>Children have died from furniture tipover. To reduce the risk of furniture tipover:</p> <ul style="list-style-type: none">• ALWAYS install tipover restraint provided.• NEVER put a TV on this product.• NEVER allow children to stand, climb or hang on drawers, doors, or shelves.• NEVER open more than one drawer at a time.• Place heaviest items in the lowest drawers.
	



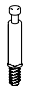


A	X 32	B	X 32	C	X 28	D	X 14	E	X 8	F	X 6	G	X 6
													
M6*35		Φ15*10		Φ8*30		M4*35				M3*14			
H	X 20	I	X 48	J	X 2	K	X 1	L	X 6	M	X 1	O	X 4
													
M4*20		M3.5*14		Φ8*50				M4*12					
P	X 4	Q	X 2	R	X 4								
													
				Φ25*3									

STEP1

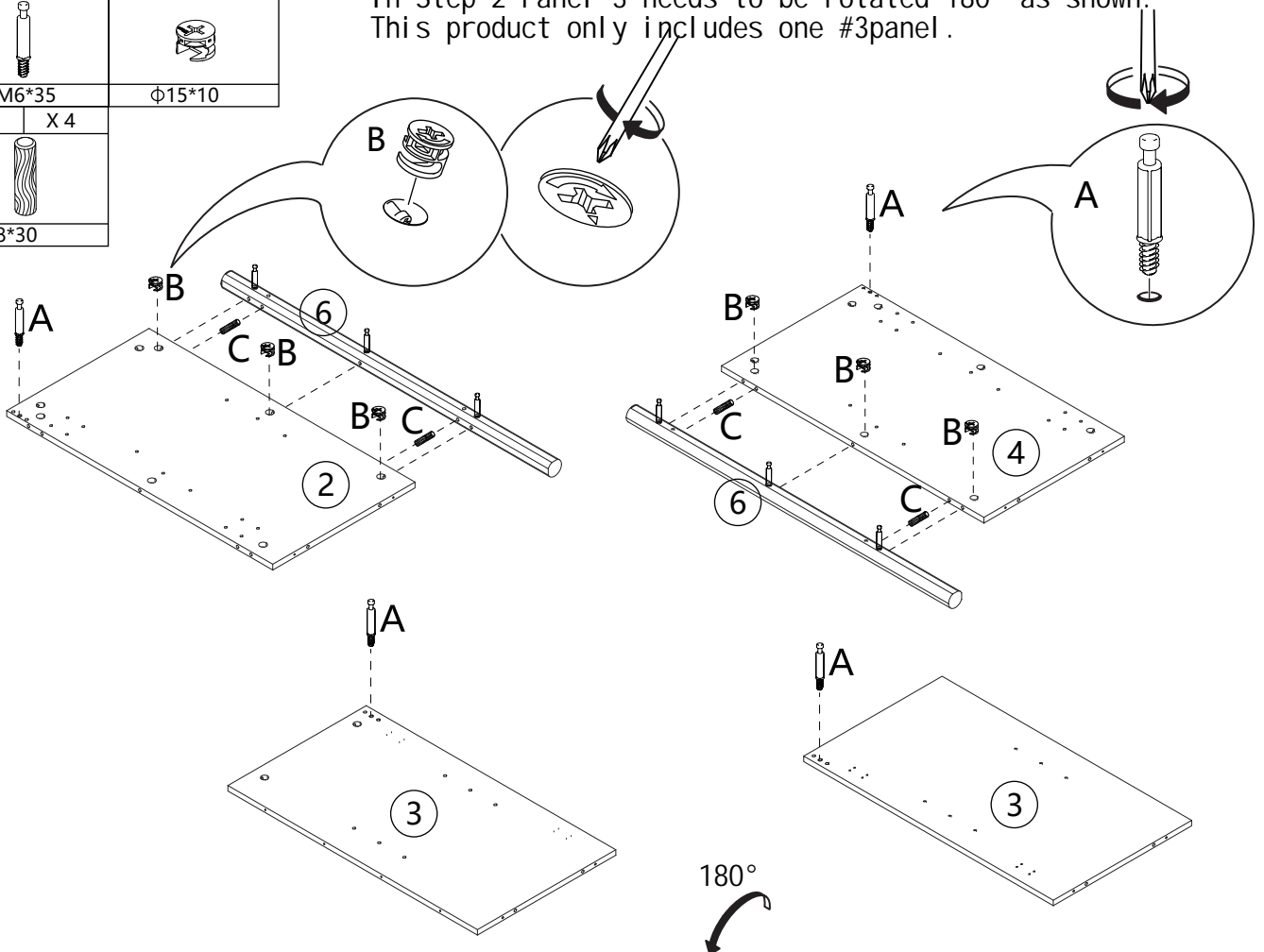
A	X 18
	
M6*35	






STEP2

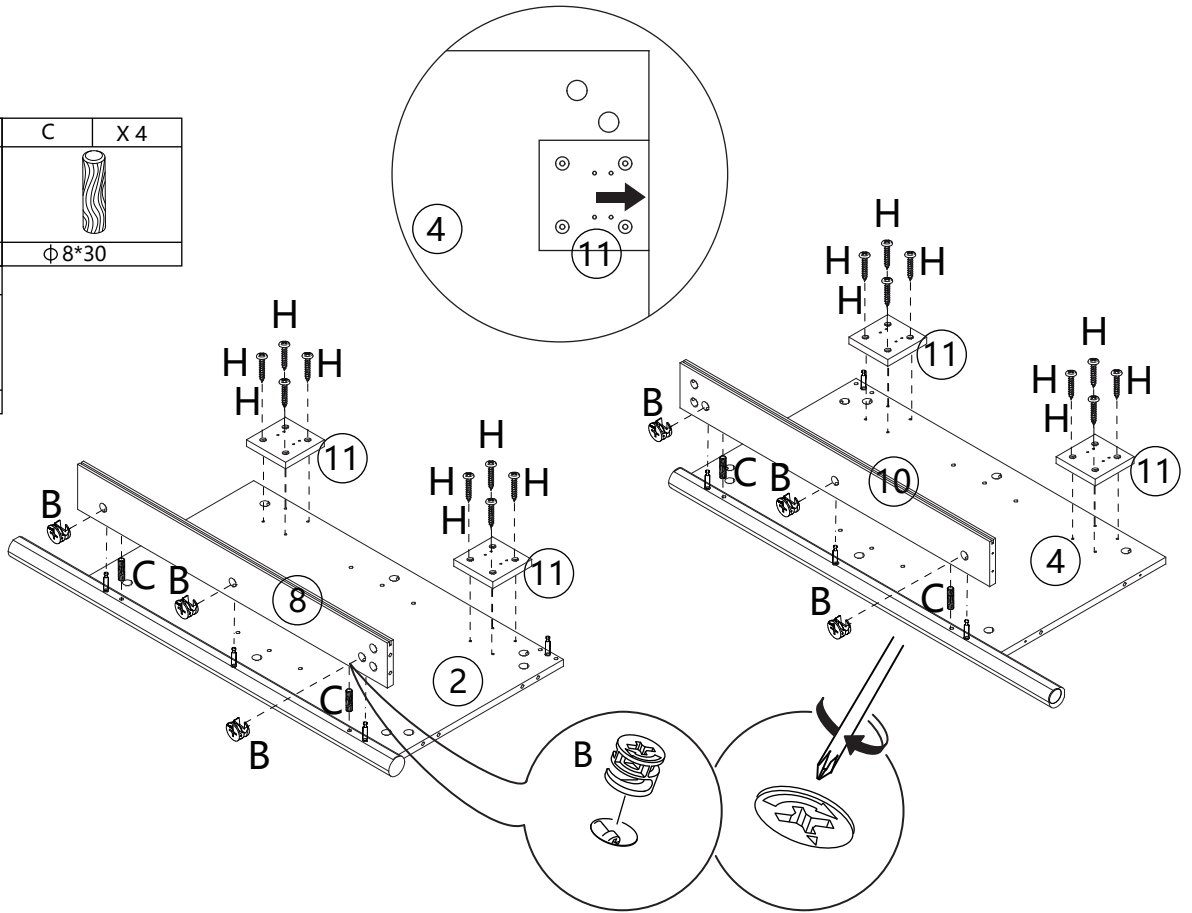
A	X 4	B	X 6
			
M6*35		Φ15*10	
C	X 4		
			
Φ8*30			

Please note:
In Step 2 Panel 3 needs to be rotated 180° as shown.
This product only includes one #3panel.





STEP3

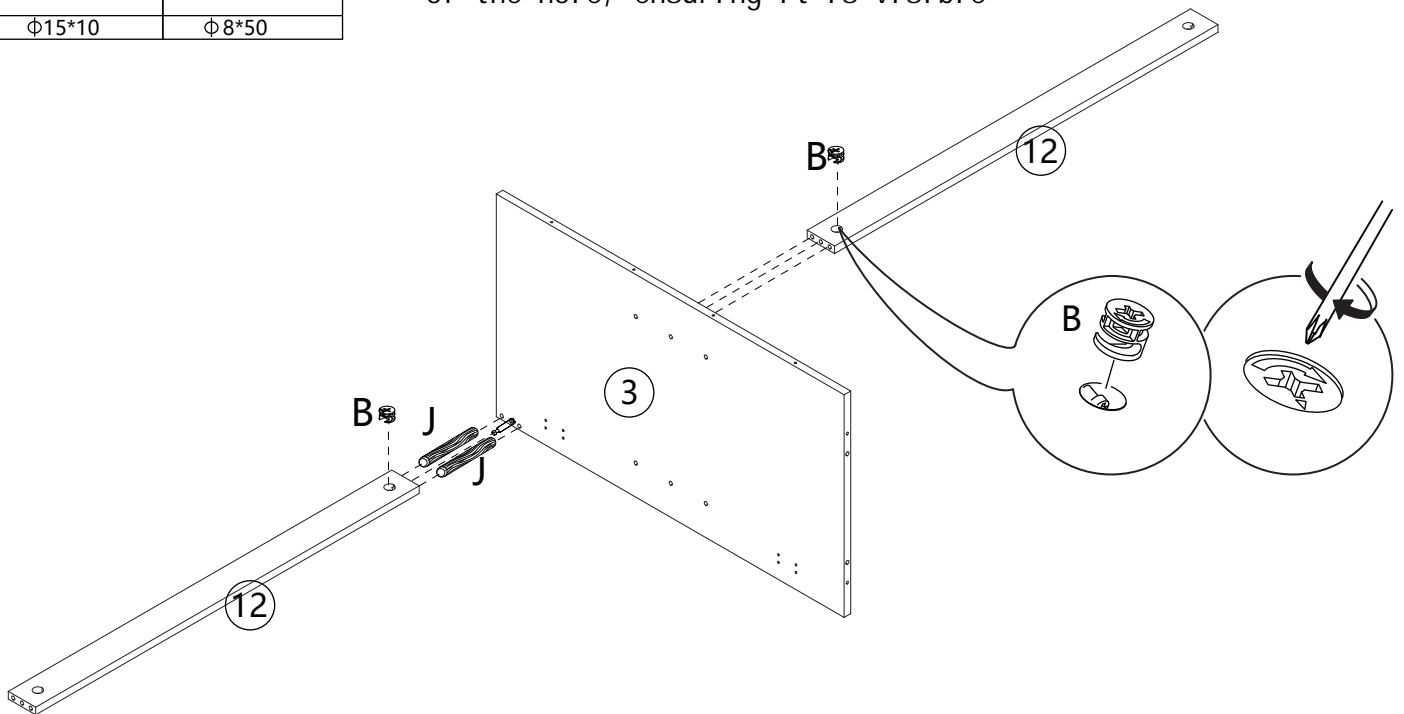
B	X 6	C	X 4
			
$\phi 15 \times 10$		$\phi 8 \times 30$	
H	X 16		
			
M4*20			





STEP4

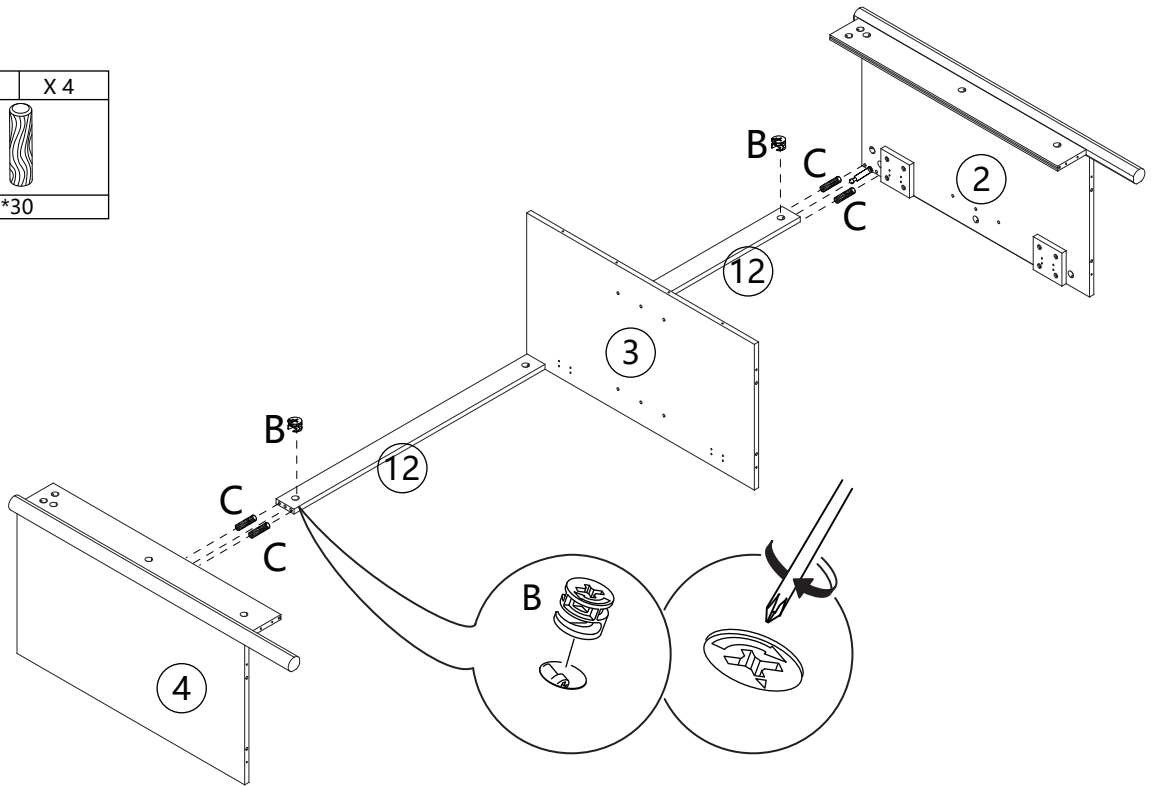
B	X 2	J	X 2
			
$\phi 15 \times 10$		$\phi 8 \times 50$	

For part #3, insert the J piece into the middle position of the hole, ensuring it is visible

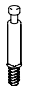


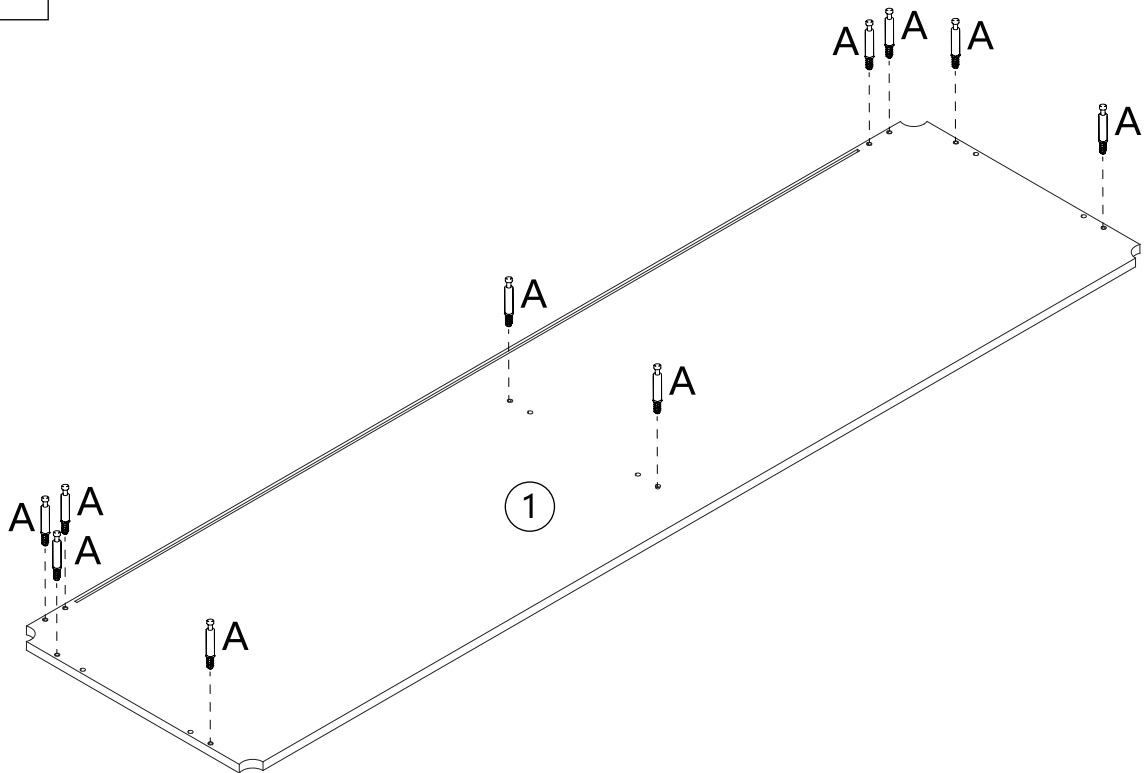
STEP5

B	X 2	C	X 4
			
$\Phi 15 \times 10$		$\Phi 8 \times 30$	





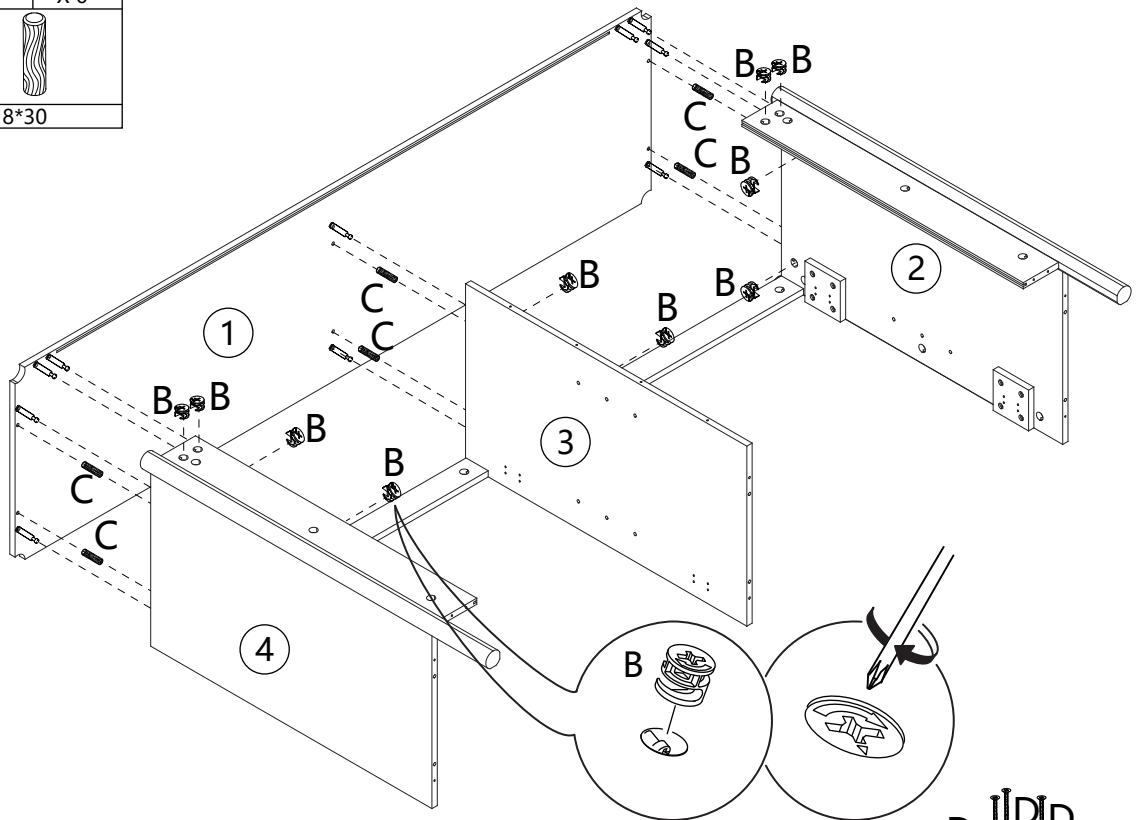
STEP6

A	X 10
	
M6*35	





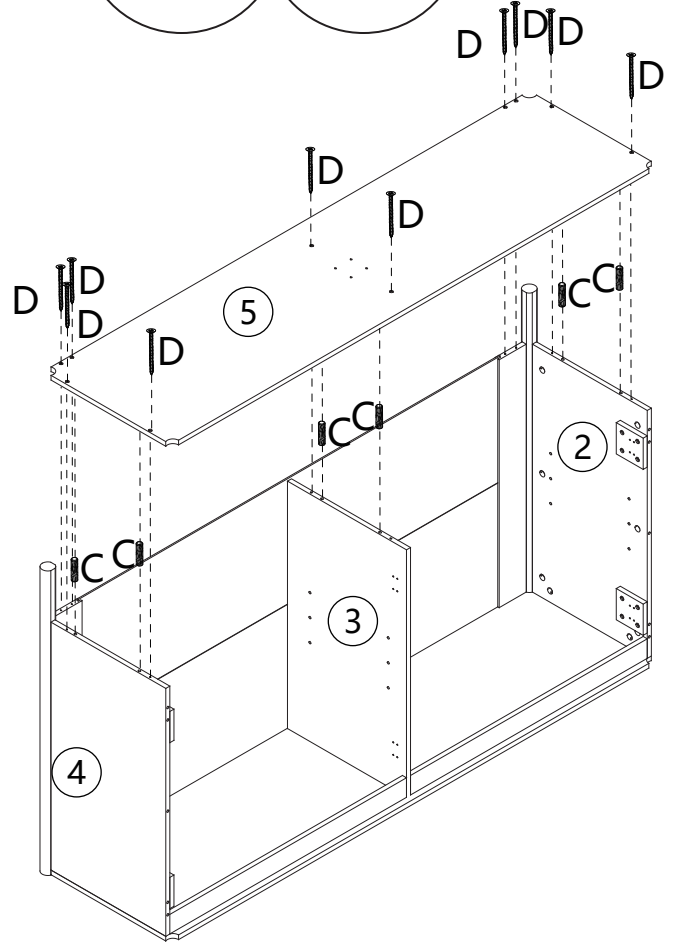
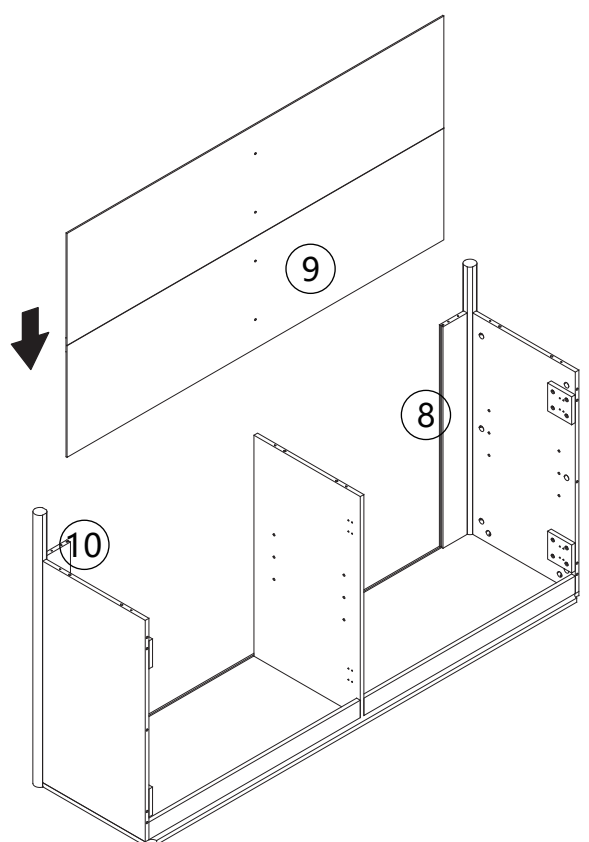
STEP 7

B	X 10	C	X 6
			
$\Phi 15 \times 10$		$\Phi 8 \times 30$	



STEP 8

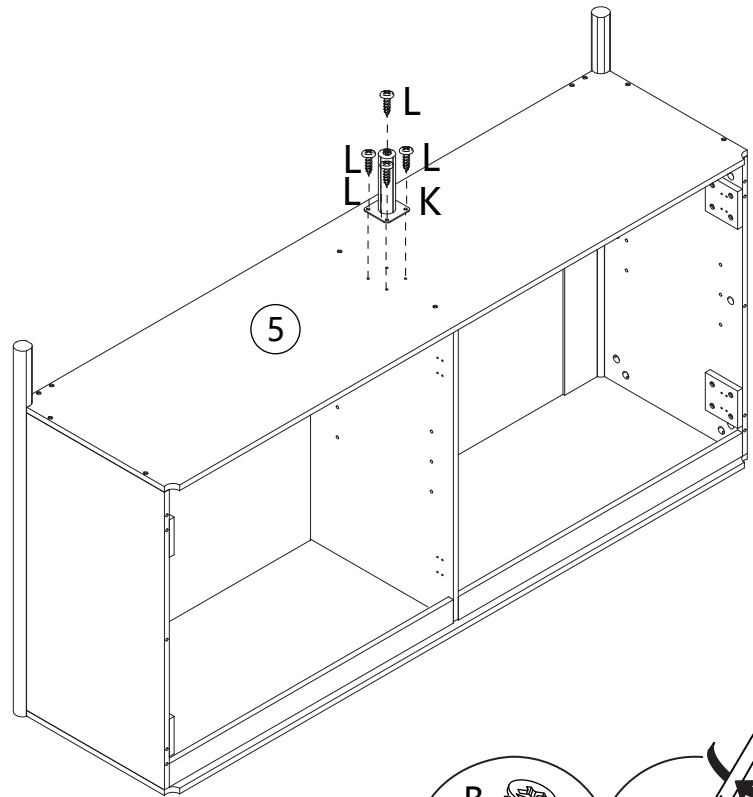
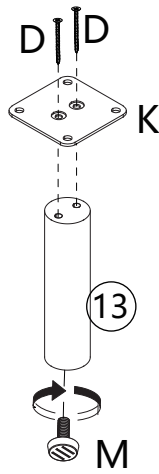
C	X 6	D	X 10
			
$\Phi 8 \times 30$		M4 \times 35	



STEP9

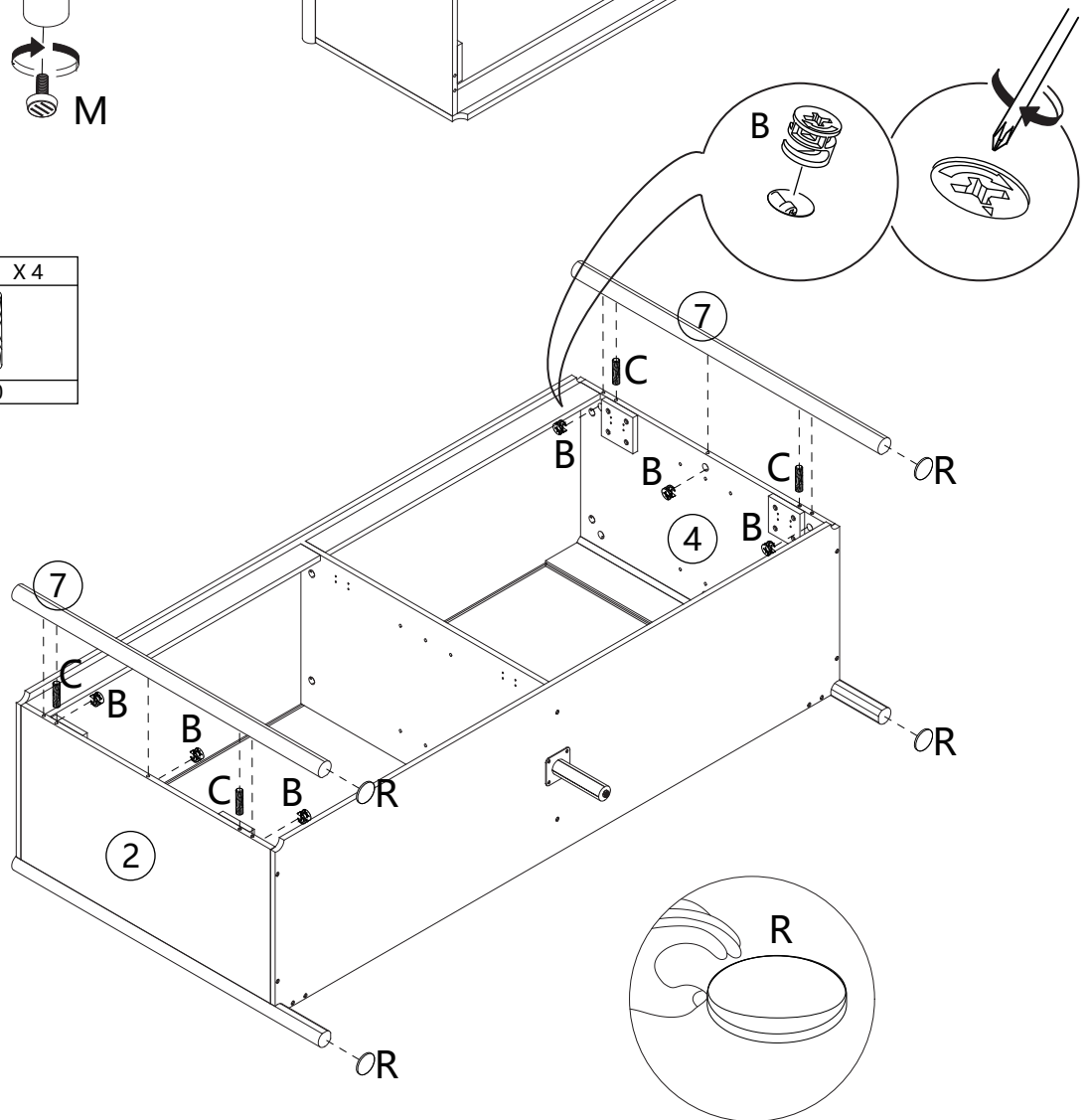
K	X1	D	X2
		M4*35	
L	X4	M	X1
M4*12			

First, install leg 13 according to the steps. Then, turn leg 13 upward and secure the bottom plate K with screw L.



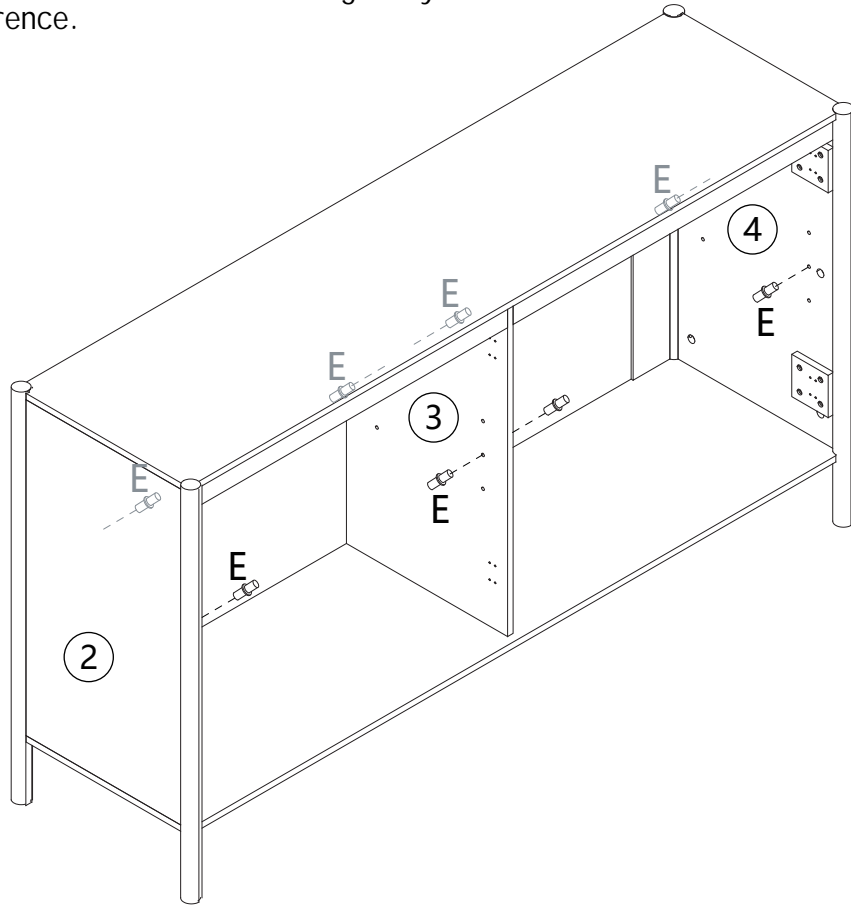
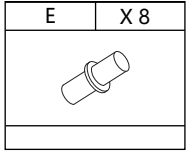
STEP10

B	X6	C	X4
Φ15*10		Φ8*30	
R	X4		
Φ25*3			

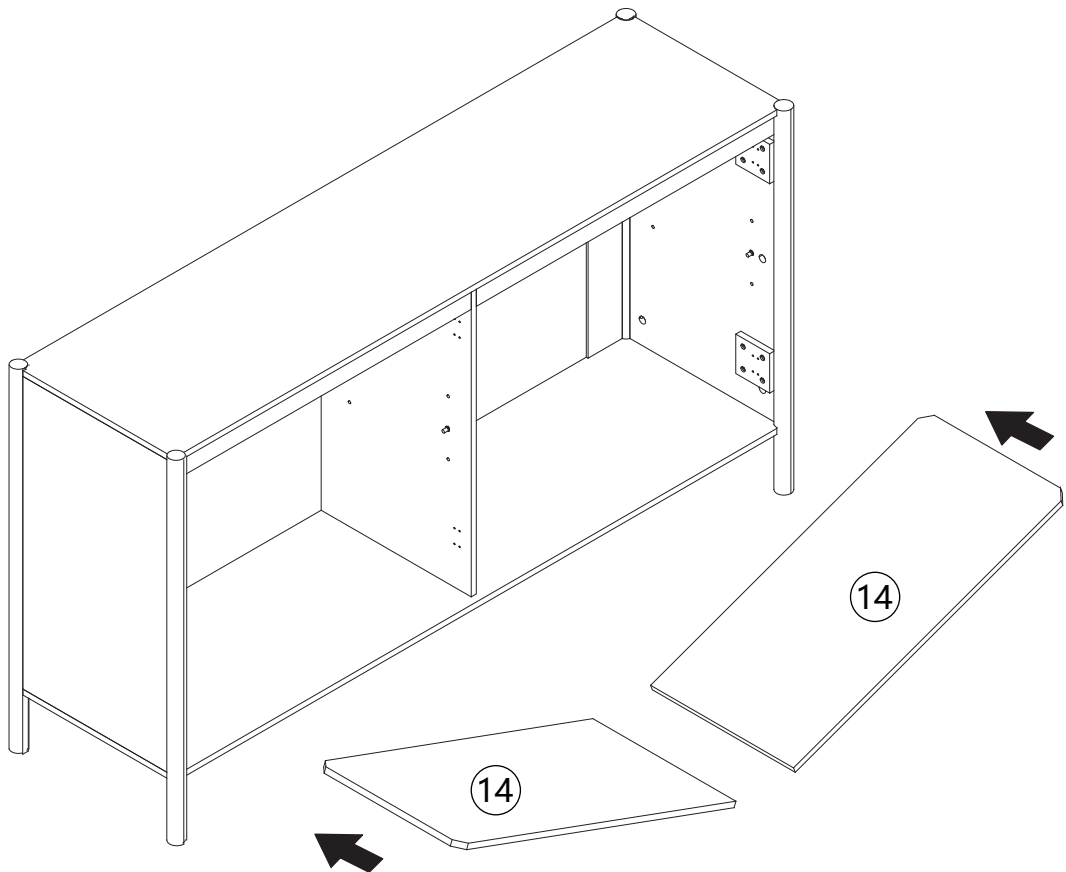


STEP 11

Part #E can be placed in any of the three holes on both sides according to your preference.





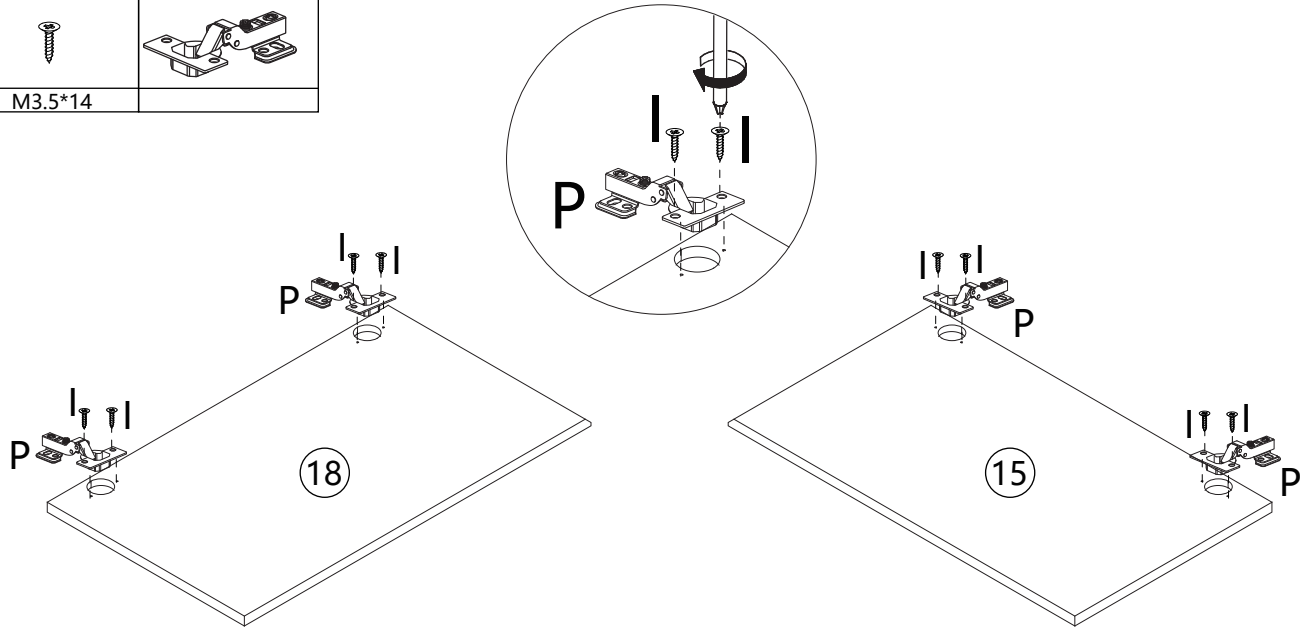
STEP 12



STEP13


In Step 13, please tighten the screws to 80%.
In Step 14, adjust to the right angle and then fully tighten them.

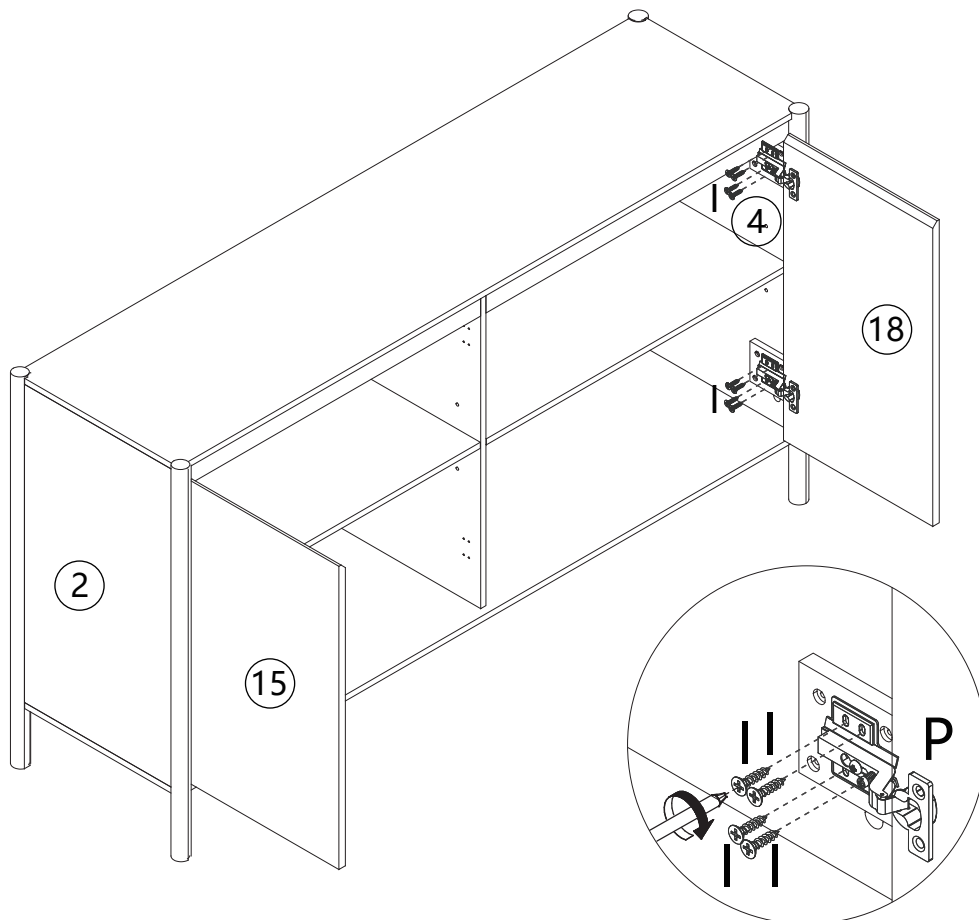
I	X 8	P	X 4
			
M3.5*14			





install one of part # 15 and one of part # 18 on both side using hinge P , as shown in step 14

STEP14

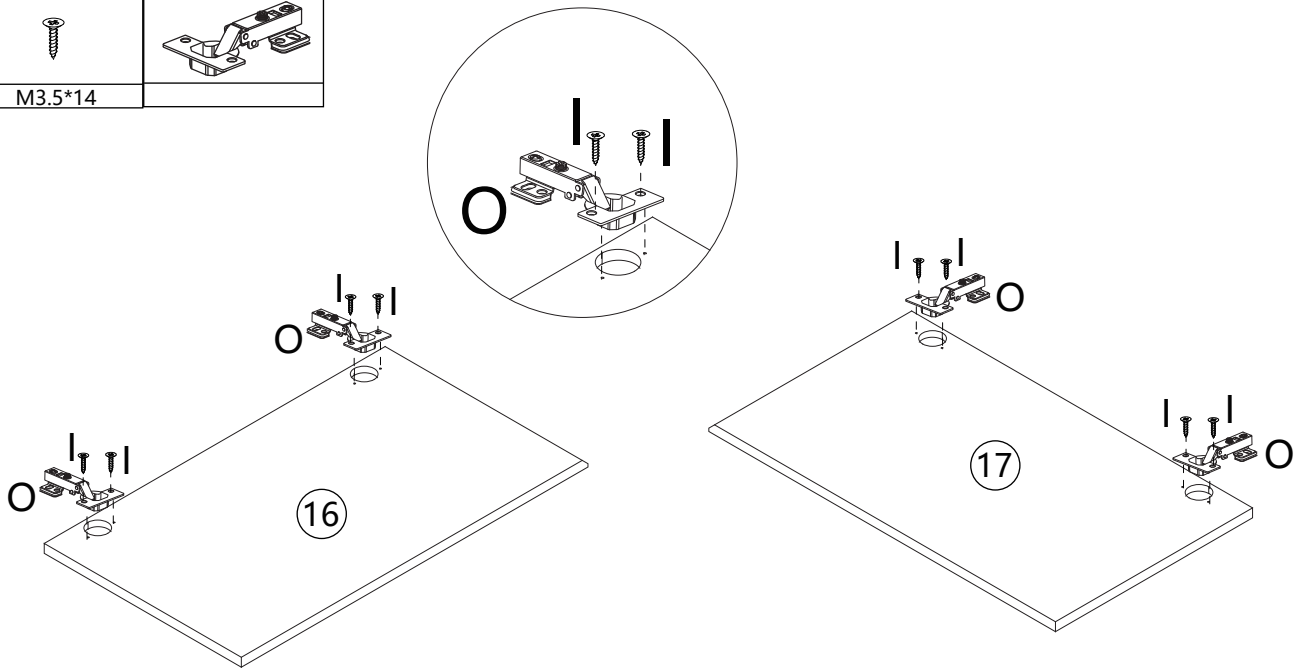
I	X 16
	
M3.5*14	




STEP 15

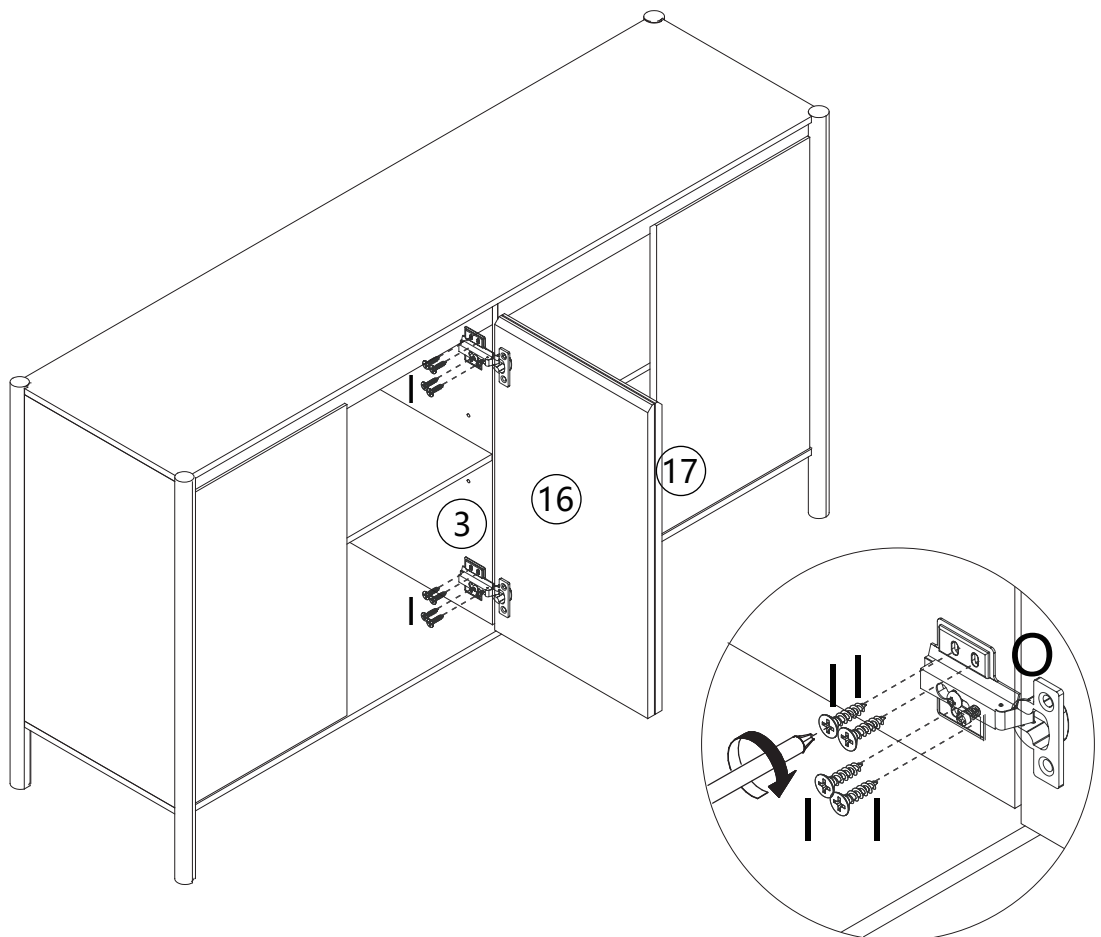
I	X 8	O	X 4
			
M3.5*14			

Next, install Step 15, one of the Part #16 and #17 in the middle using hinge O, as shown in Step 16, Please use the specified hinges as per the instructions to avoid errors.






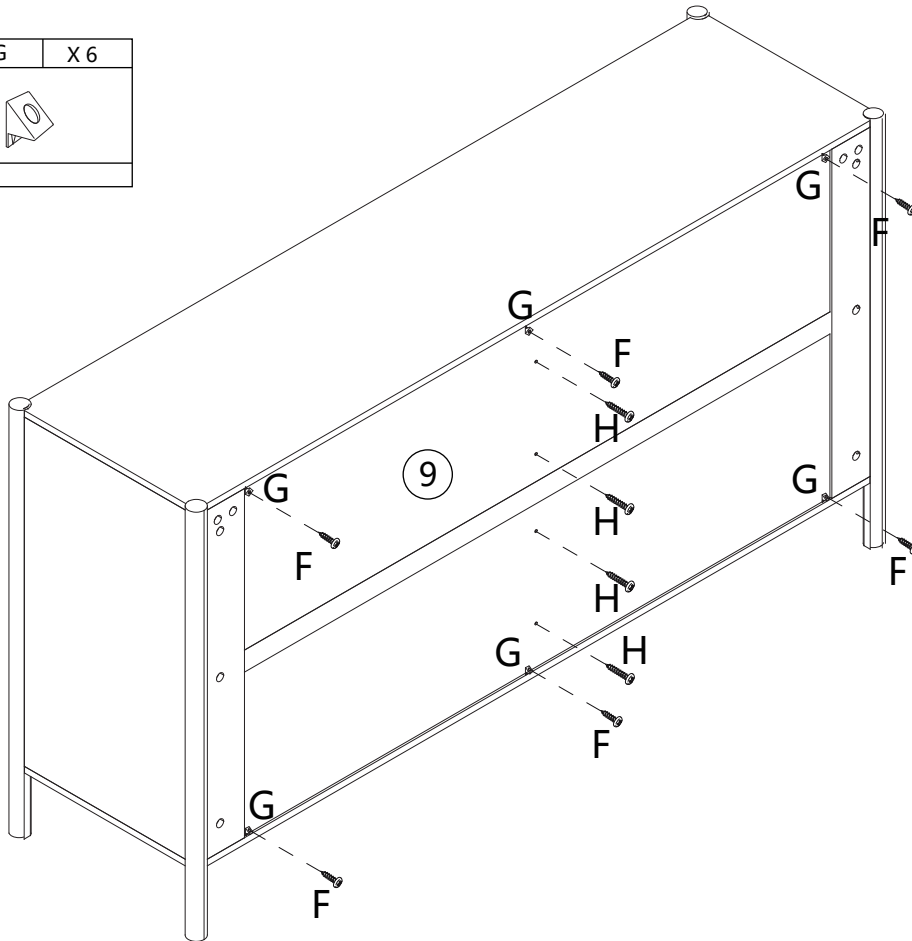
STEP 16

I	X 16
	
M3.5*14	





STEP17

F	X 6	G	X 6
			
M3*14			
H	X 4		
			
M4*20			



STEP18

D	X 2	L	X 2
			
M4*35		M4*12	
Q	X 2		
