

ASSEMBLY INSTRUCTION



! SAFETY WARNINGS !

1. This bed is designed for use only mattress (es) meeting the following specifications on the upper bunk, and lower bunk

Upper bed Bed Type	Length	Width	Thickness
<i>Twin Standard</i>	<i>74" - 75"</i>	<i>38 1/2"</i>	<i>6" max</i>

2. Replacement parts, including additional guardrails, maybe obtained from any of our dealers
3. Follow the information on the warnings appearing on the upper bunk bed end structure and on the carton. Do not remove warning label from bed
4. Always use the recommended size mattresses or mattress supports, or both, to help prevent the likelihood of entrapment or falls.
5. Surface of mattress must be at least 5" (127mm) below the upper edge of guardrails
6. Do not allow children under 6 years of age to use the upper bunk.
7. Periodically check and ensure that the guardrail, ladder, and other components are in their proper position, free from damage, and that all connectors are tight.
8. Do not allow horseplay on or under the bed and prohibit jumping on the bed.
9. Always use the ladder for entering and leaving the upper bunk.
10. Do not use substitute part. Contact the manufacture or dealer for replacement part
11. Use of a night light may provide added safety precaution for a child using the upper bunk..
12. Always use guardrails on both long sides of the upper bunk. If the bunk bed will be placed next to the wall, the guardrail that runs the full length of the bed should be placed against the wall to prevent entrapment between the bed and wall.
13. The use of water or sleep flotation mattresses is prohibited
14. **STRANGULATION HAZARD** - Never attach or hang items to any part of the bunk bed that are not designed for use with the bed; for example, but not limited to, hook, belts and jump ropes
15. Keep these instruction for future reference
16. Prohibit more than one person on upper bunk
17. We recommend assembling your bunk bed on the shipping carton to protect your floor or carpet
18. Be certain all staples are out of the box before beginning assembly on the shipping carton.

OPTION 1: STAIR IN RIGHT, CHEST IN LEFT



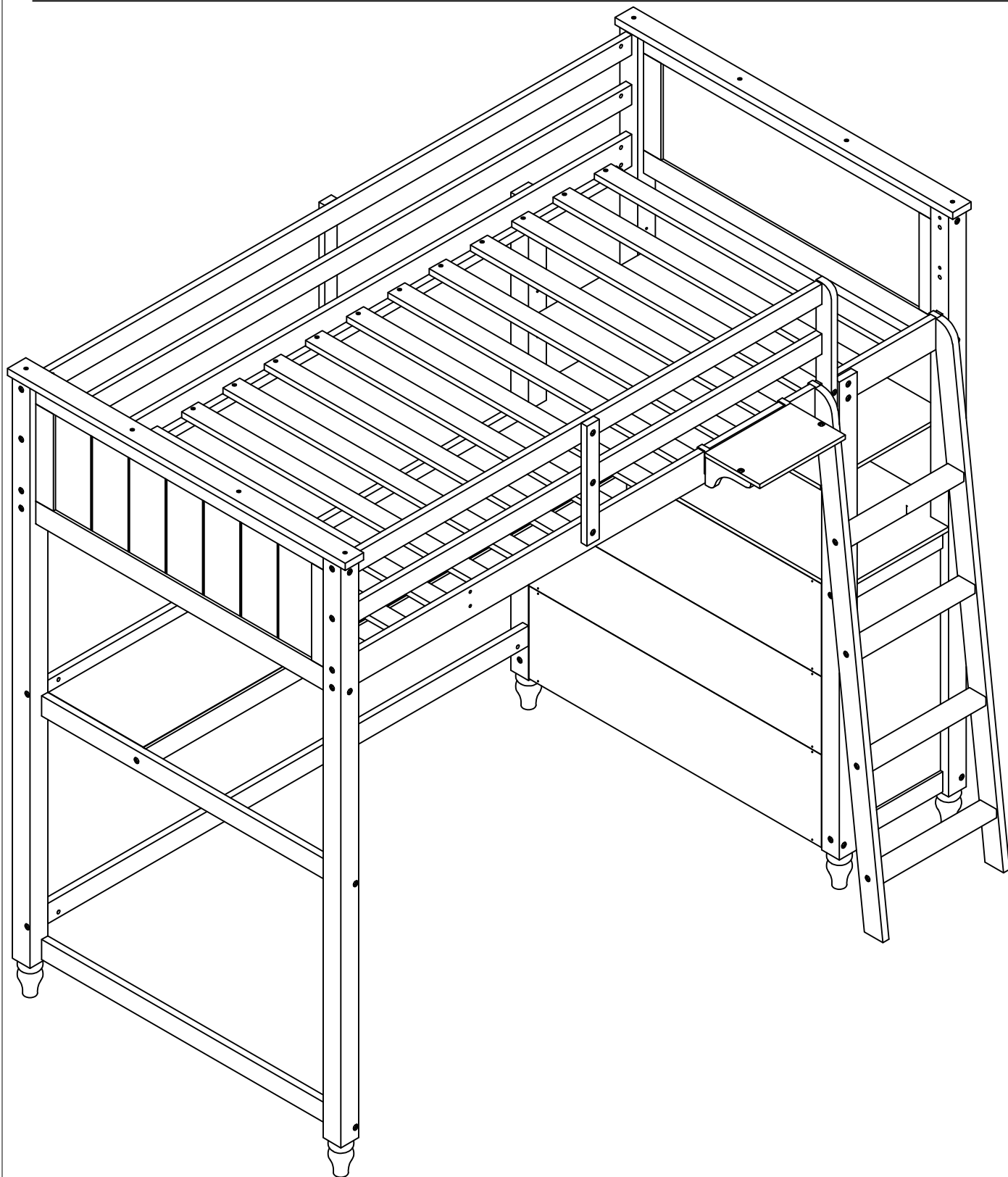
OPTION 2: STAIR IN LEFT, CHEST IN LEFT



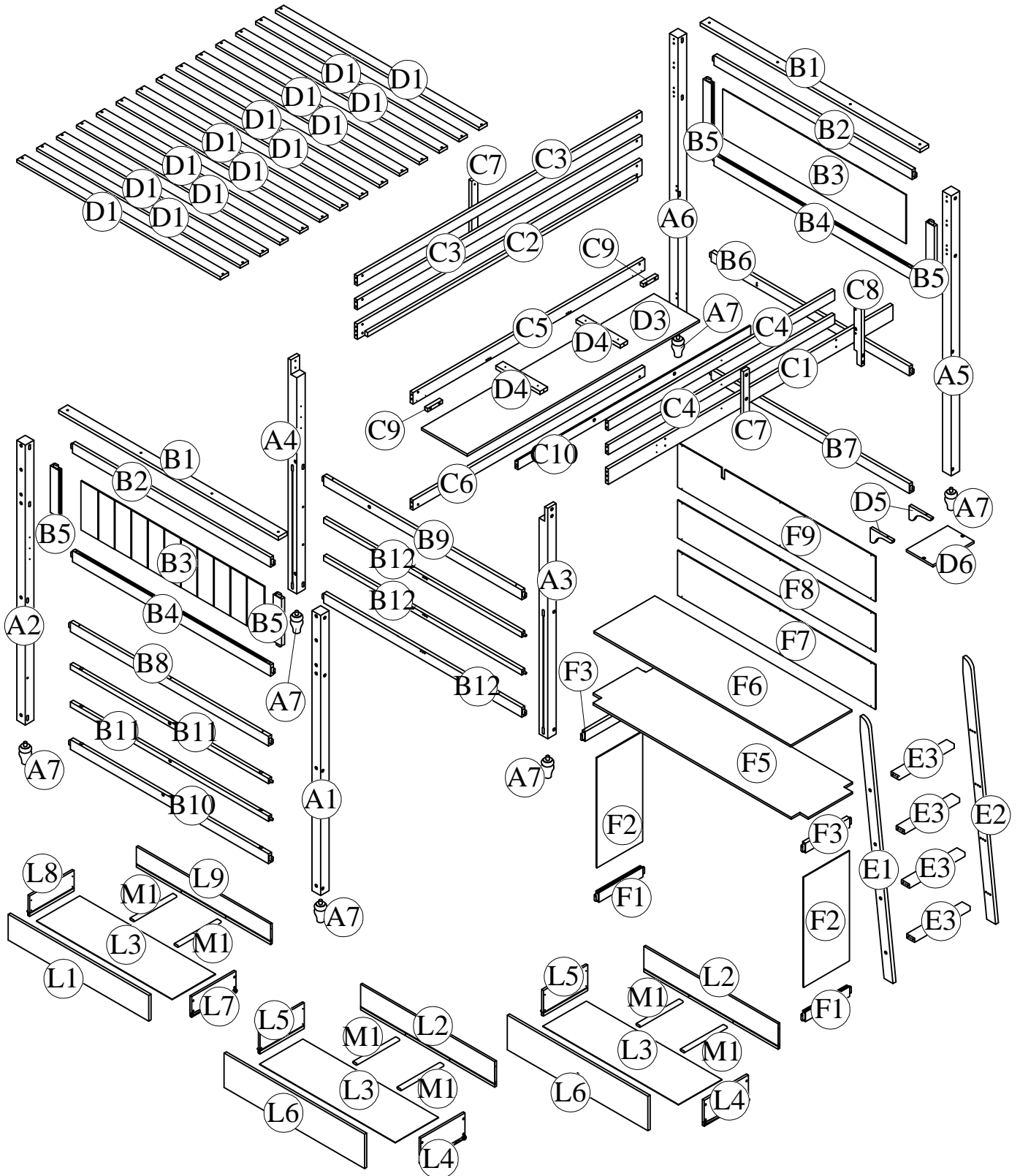
OPTION 3: STAIR IN LEFT, CHEST IN RIGHT



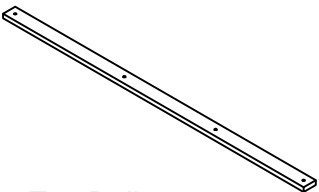
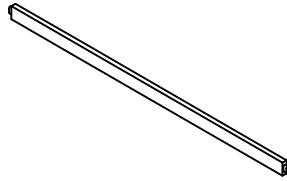
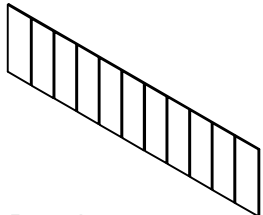




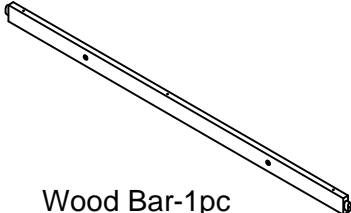

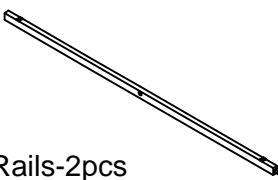
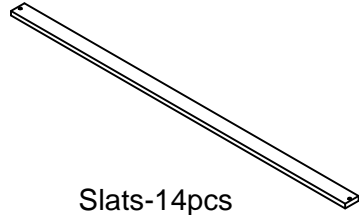
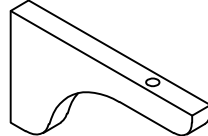
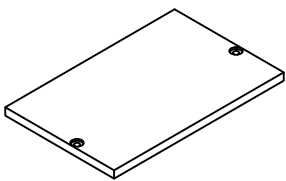
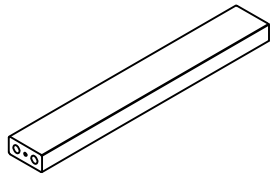
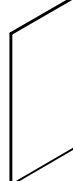
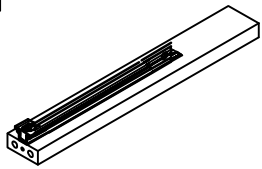
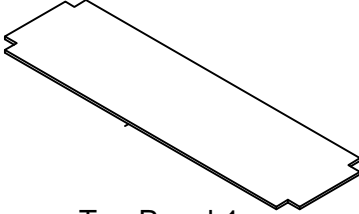
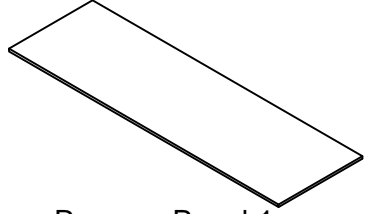
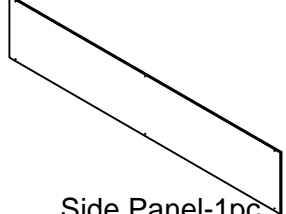
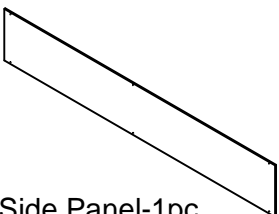
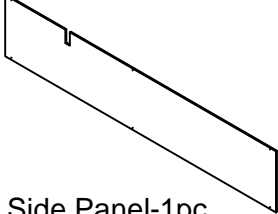
OPTION 4: STAIR IN RIGHT, CHEST IN RIGHT



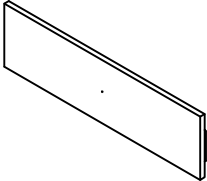
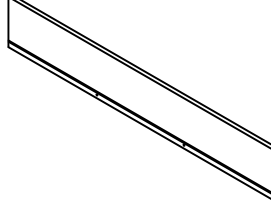
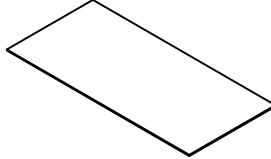
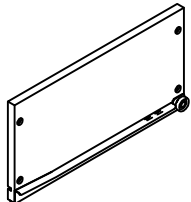
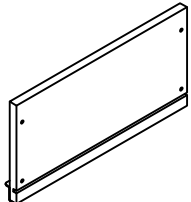
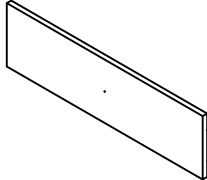
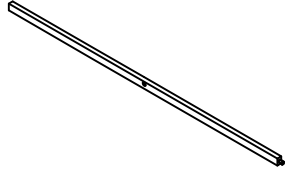

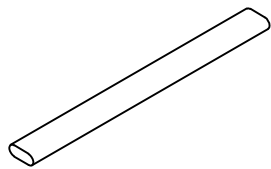
ASSEMBLY INSTRUCTION











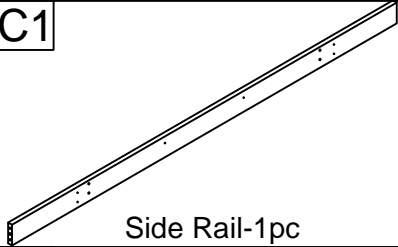
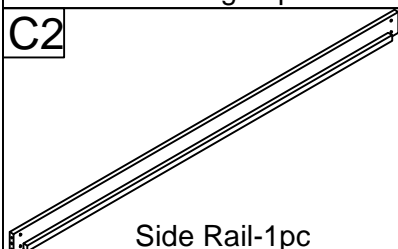
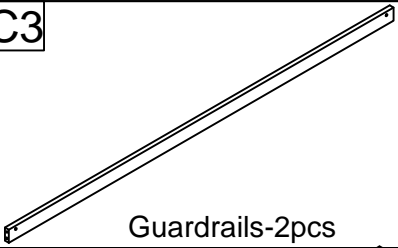

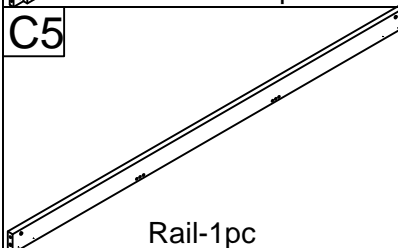
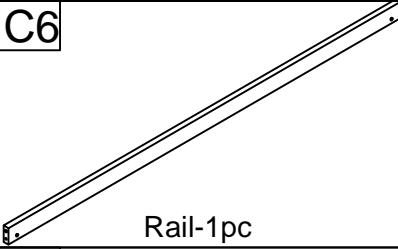


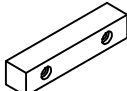
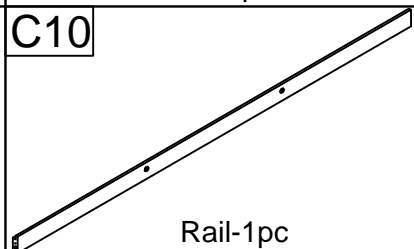
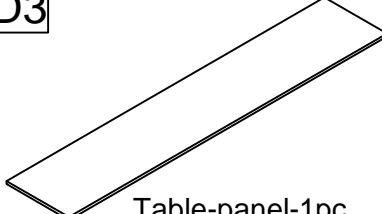
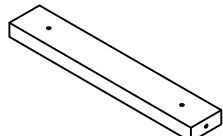

Part List

<p>B1</p>  <p>Top Rails-2pcs</p>	<p>B2</p>  <p>Wood Bars-2pcs</p>	<p>B3</p>  <p>Panels-2pcs</p>
<p>B4</p>  <p>Wood Bars-2pcs</p>	<p>B6</p>  <p>Wood Bar-1pc</p>	<p>B7</p>  <p>Wood Bar-1pc</p>
<p>B8</p>  <p>Wood Bar-1pc</p>	<p>B9</p>  <p>Wood Bar-1pc</p>	<p>B10</p>  <p>Wood Bar-1pc</p>
<p>B11</p>  <p>Rails-2pcs</p>	<p>D1</p>  <p>Slats-14pcs</p>	<p>D5</p>  <p>Panels-2pcs</p>
<p>D6</p>  <p>Panel-1pc</p>	<p>E3</p>  <p>Step Stairs-4pcs</p>	<p>F2</p>  <p>Panels-2pcs</p>
<p>F4</p>  <p>Wood Bars-3pcs</p>	<p>F5</p>  <p>Top Panel-1pc</p>	<p>F6</p>  <p>Remove Panel-1pc</p>
<p>F7</p>  <p>Side Panel-1pc</p>	<p>F8</p>  <p>Side Panel-1pc</p>	<p>F9</p>  <p>Side Panel-1pc</p>

Part List

L1  Drawer-Front Panel-1pc	L2  Drawer-Back Panels-3pcs	L3  Drawer-Bottom Panels-3pcs
L4  Drawer-Side Panels-3pcs	L5  Drawer-Side Panels-3pcs	L6  Drawer-Front Panels-2pcs
B12  Rails-2pcs	B13  Wood Bar-1pc	M1  Wood Bar-6pcs

Part List & Hardware List

<p>A1</p>  <p>Leg-1pc</p>	<p>A2</p>  <p>Leg-1pc</p>	<p>A3</p>  <p>Leg-1pc</p>
<p>A4</p>  <p>Leg-1pc</p>	<p>A5</p>  <p>Leg-1pc</p>	<p>A6</p>  <p>Leg-1pc</p>
<p>A7</p>  <p>Legs-6pcs</p>	<p>B5</p>  <p>Wood Bars-4pcs</p>	<p>C1</p>  <p>Side Rail-1pc</p>
<p>C2</p>  <p>Side Rail-1pc</p>	<p>C3</p>  <p>Guardrails-2pcs</p>	<p>C4</p>  <p>Guardrails-2pcs</p>
<p>C5</p>  <p>Rail-1pc</p>	<p>C6</p>  <p>Rail-1pc</p>	<p>C7</p>  <p>Rails-2pcs</p>
<p>C8</p>  <p>Rail-1pc</p>	<p>C9</p>  <p>Clients-2pcs</p>	<p>C10</p>  <p>Rail-1pc</p>
<p>D3</p>  <p>Table-panel-1pc</p>	<p>D4</p>  <p>Rails-2pcs</p>	<p>E1</p>  <p>Side Stair-1pc</p>

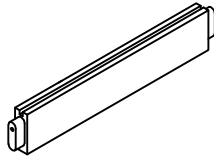
Part List & Hardware List

E2



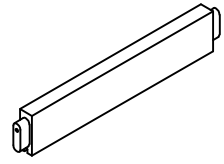
Side Stair-1pc

F1





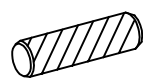
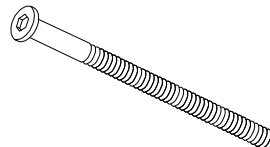


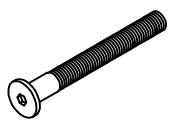




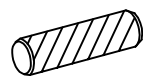








Wood Bars-2pcs

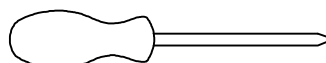
F3



Wood Bars-2pcs

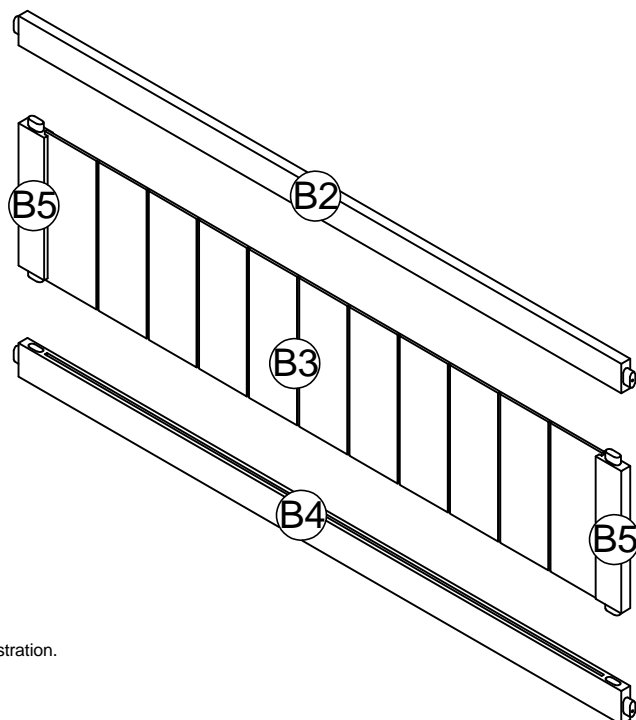
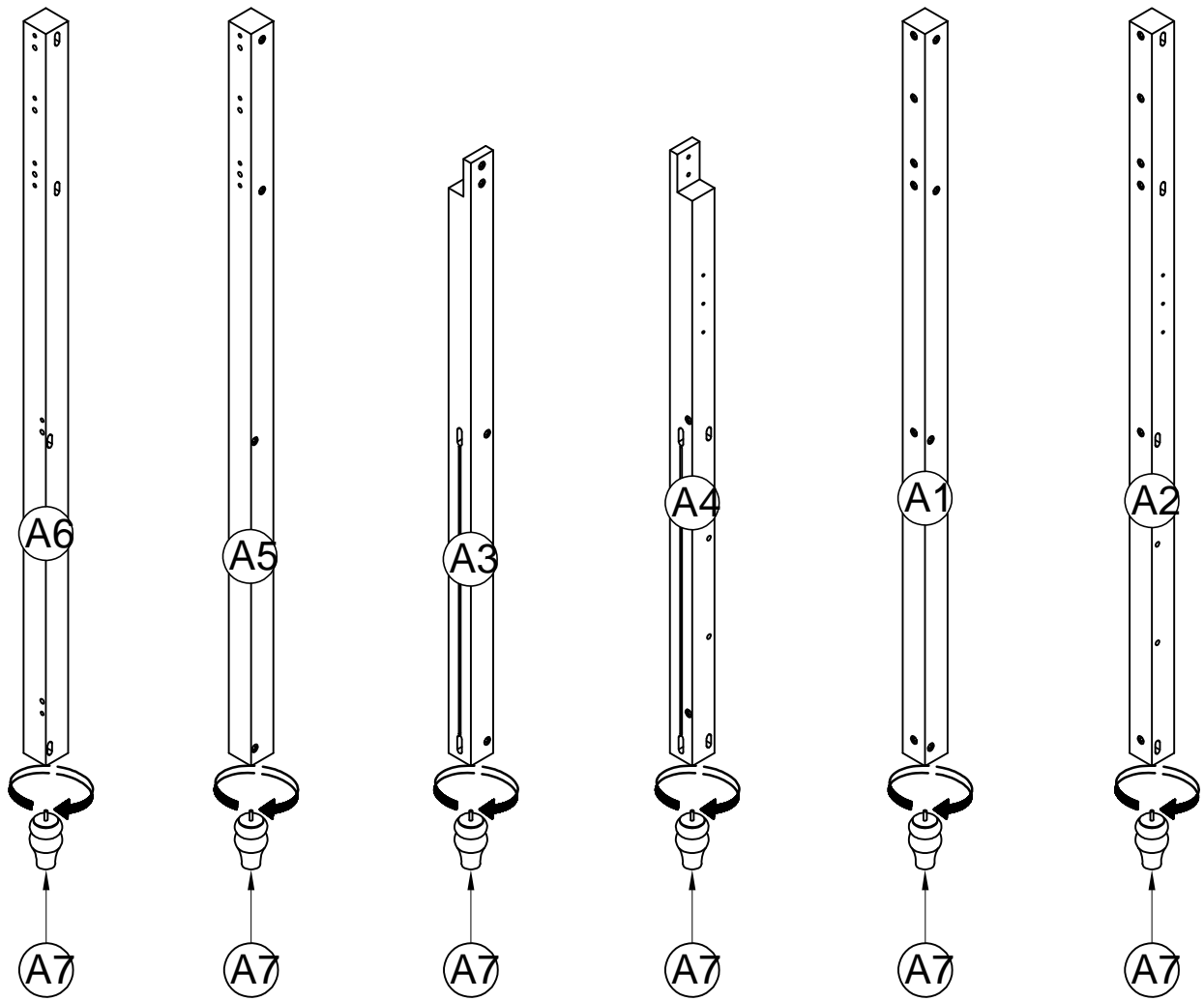
Hardware List

<p>1</p>  <p>M4 x 20 mm Wood Screws 12pcs</p>	<p>2</p>  <p>Allen Key 1pc</p>	<p>3</p>  <p>Ø10 x 40 mm Wood dowel 34pcs</p>
<p>4</p>  <p>Ø1/4" x 100 mm Hex-Head bolts 46pcs</p>	<p>5</p>  <p>M4 x 30 mm Wood Screws 74pcs</p>	<p>6</p>  <p>Screws 1/4" x30 10pcs</p>
<p>7</p>  <p>Ø1/4" x 60 mm Hex-Head bolts 2pcs</p>	<p>8</p>  <p>Ø1/4" x 13 mm Horizontal-Hole bolts 48pcs</p>	<p>9</p>  <p>Ø1/4" x 35 mm Hex-Head bolts 4pcs</p>
<p>10</p>  <p>Ø1/4" x 15 mm Canopy head though -2pcs</p>	<p>11</p>  <p>Screws 1/4" x50 14pcs</p>	<p>12</p>  <p>Ø8 x 30 mm Wood dowel 16pcs</p>
<p>13</p>  <p>Screws 1/4" x40 2pcs</p>	<p>14</p>  <p>Dowel Remove Shelves 4pcs</p>	<p>15</p>  <p>M4 x 15 mm Wood Screws 18pcs</p>
<p>16</p>  <p>Bracket 4 pcs</p>	<p>17</p>  <p>Ø1/6" x 25 mm Hex-Head bolts 3pcs</p>	<p>18</p>  <p>Handle Wood 3pcs</p>
<p>19</p>  <p>M4 x 40 mm Wood Screws 6pcs</p>	<p>20</p>  <p>Screw M3.5x12 mm 4pcs</p>	



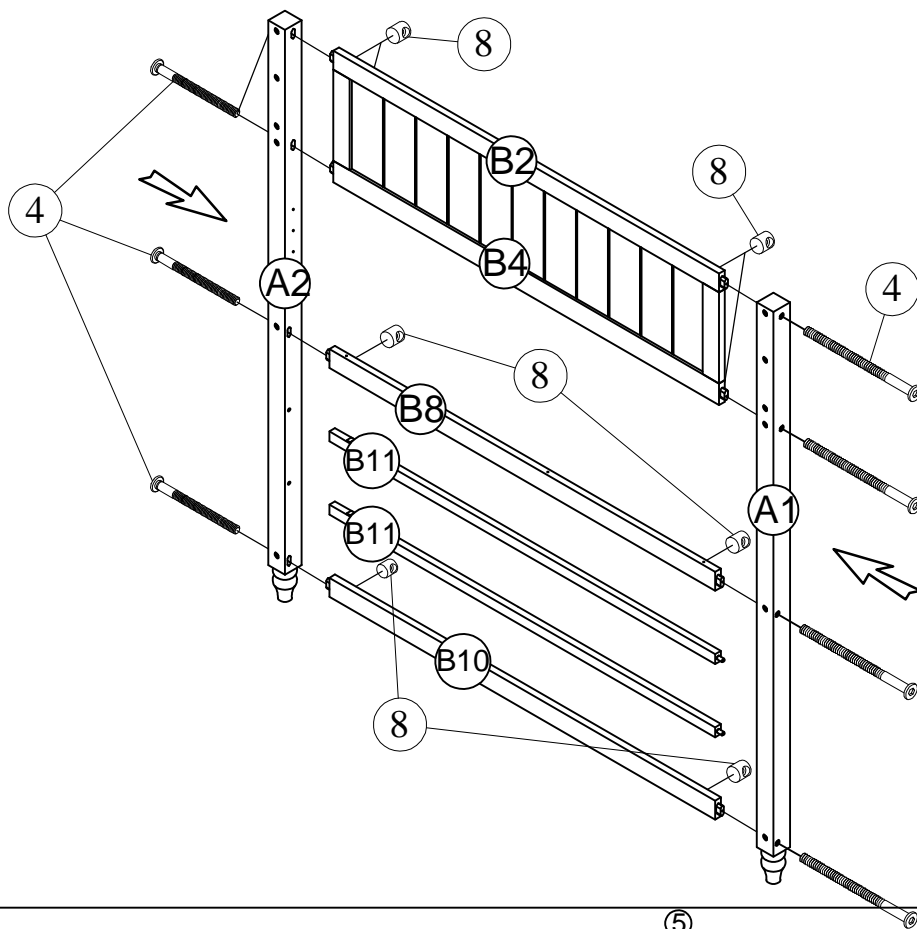
Assembly Tools Required (Not Included)

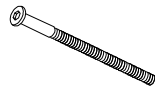

STEP 1: Following below illustration.



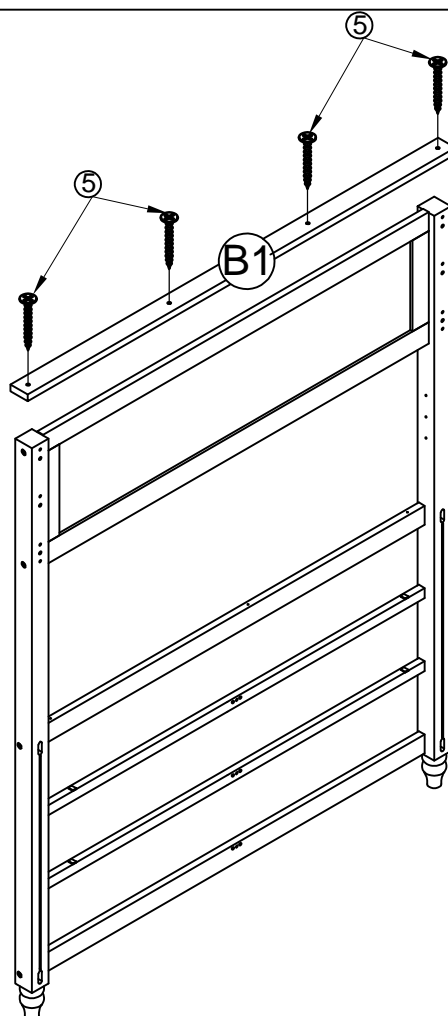
STEP 2-1: Following below illustration.


STEP 2-2: Following below illustration.



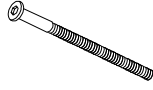

4	
8pcs	
8	
8pcs	

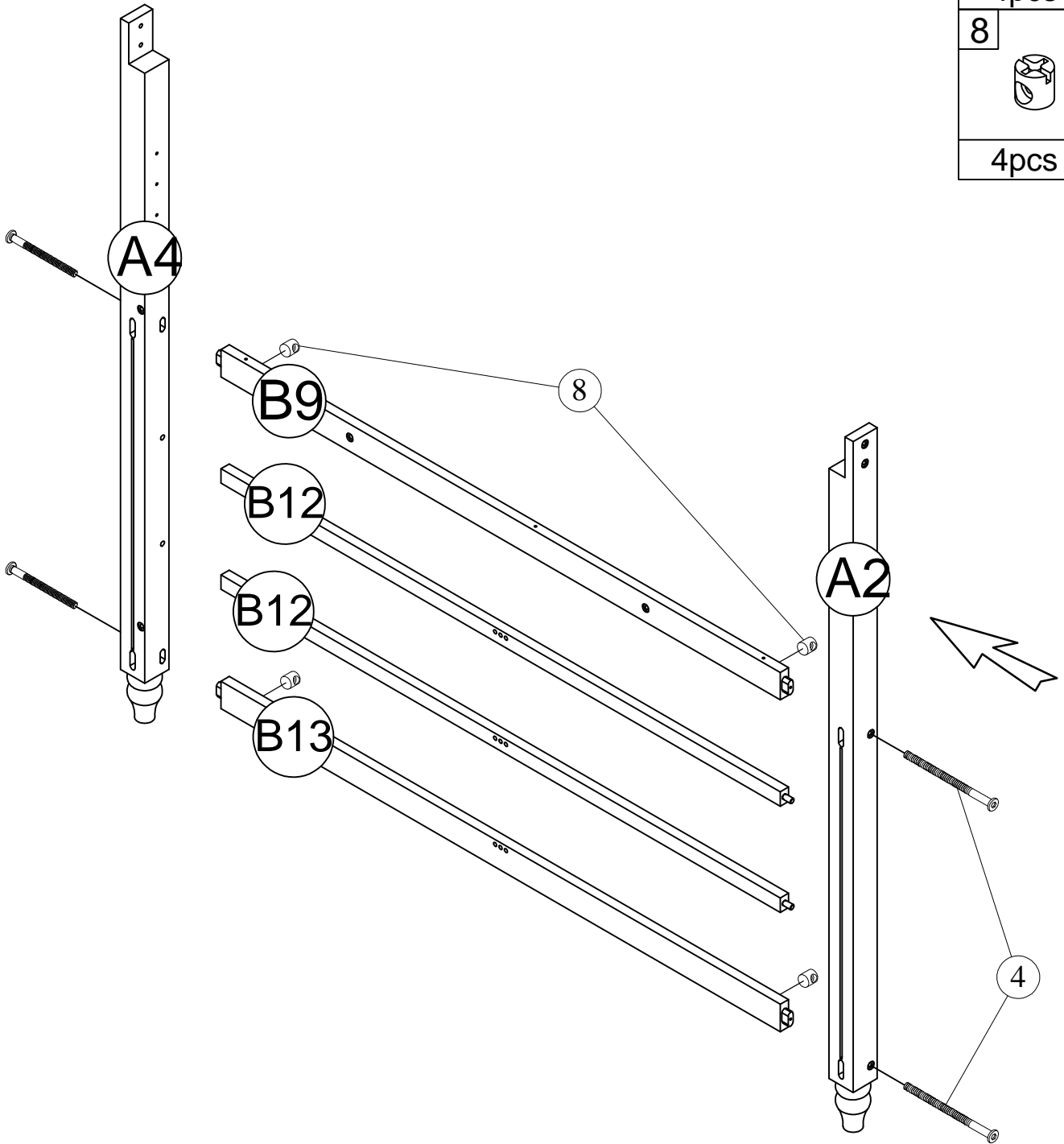
STEP 2-3: Following below illustration.




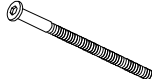

5	
4pcs	

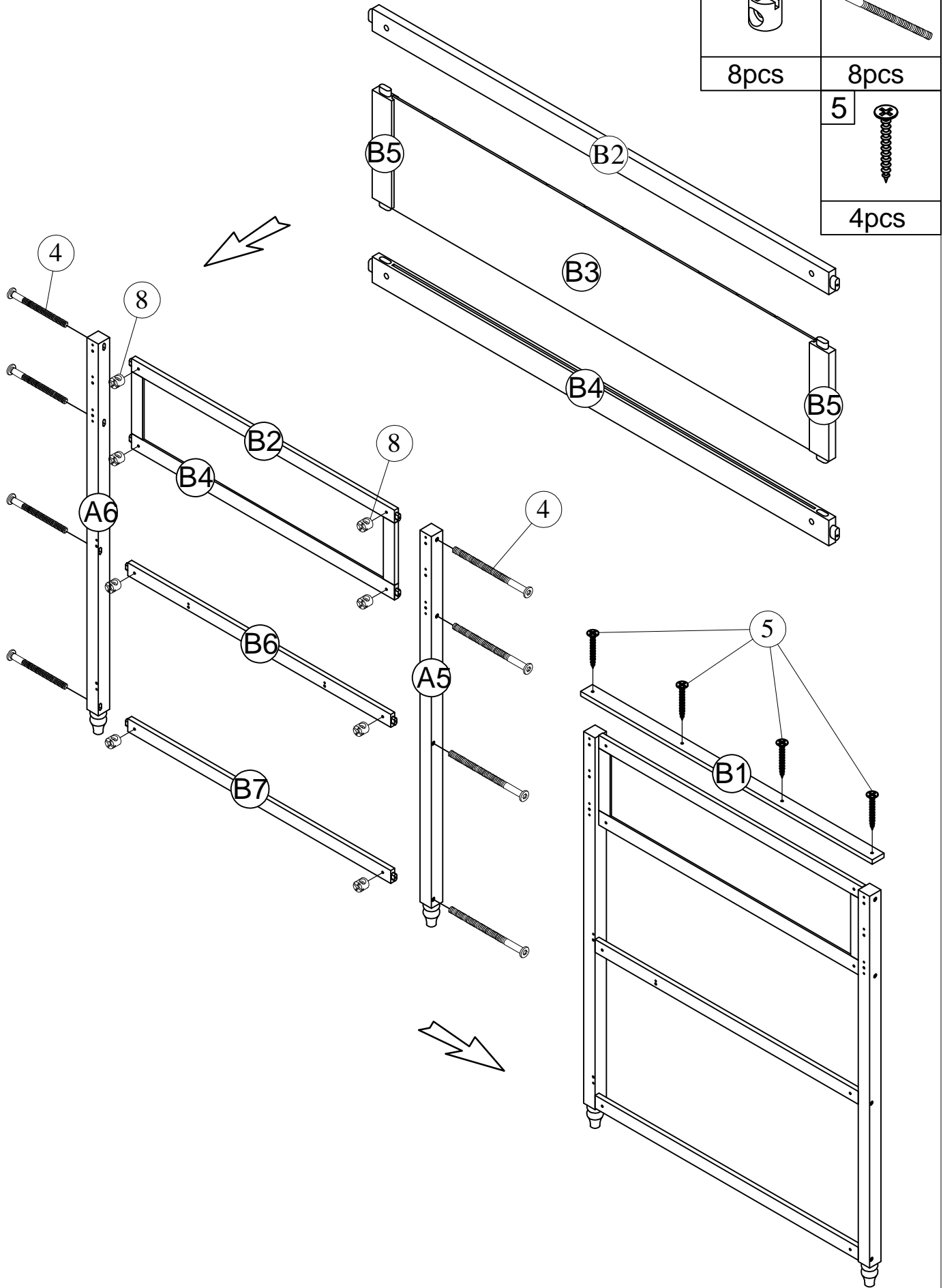
STEP 3: Following below illustration.

4

4pcs
8

4pcs

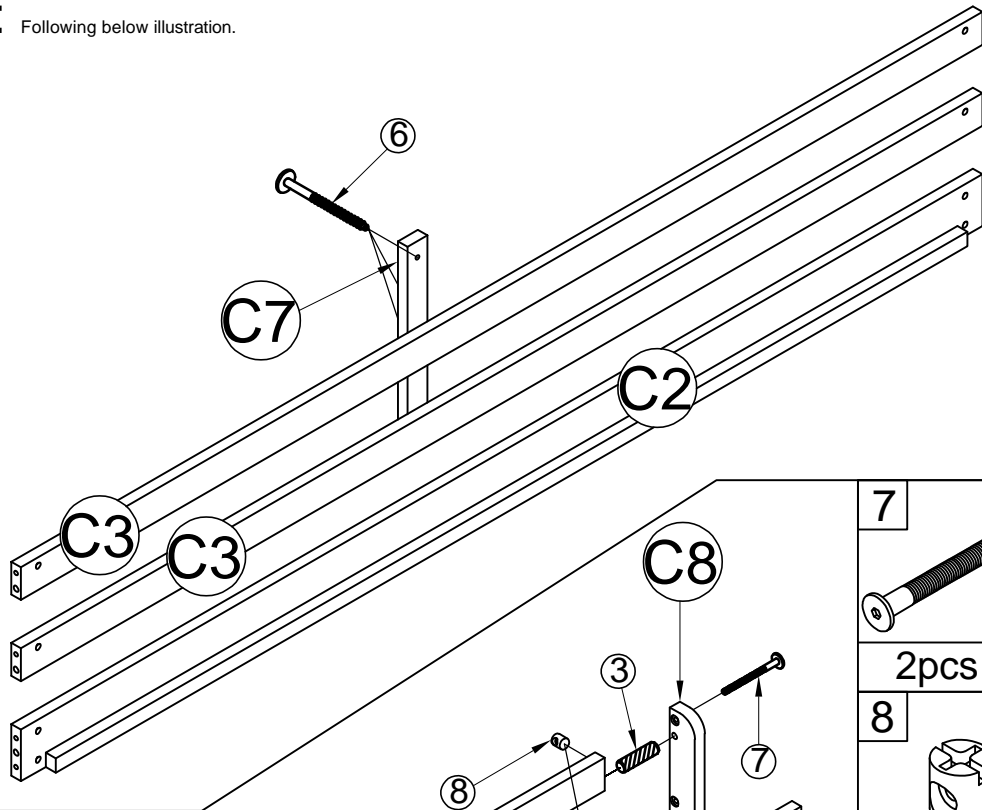


STEP 4: Following below illustration.

8		4	
8pcs		8pcs	
		5	
		4pcs	



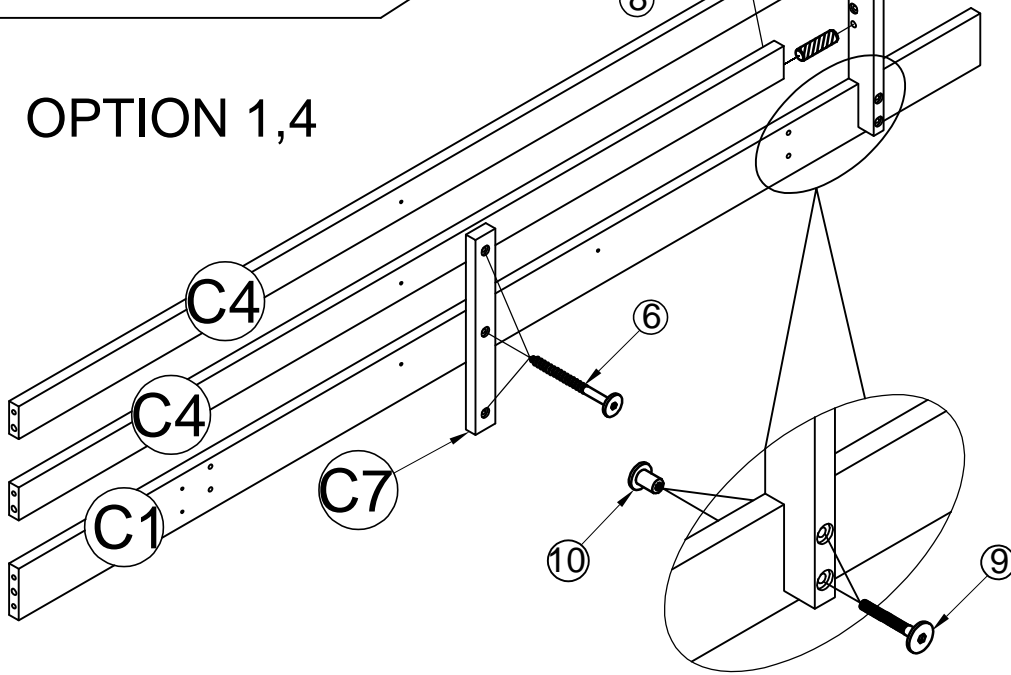
STEP 5: Following below illustration.



6	
3pcs	

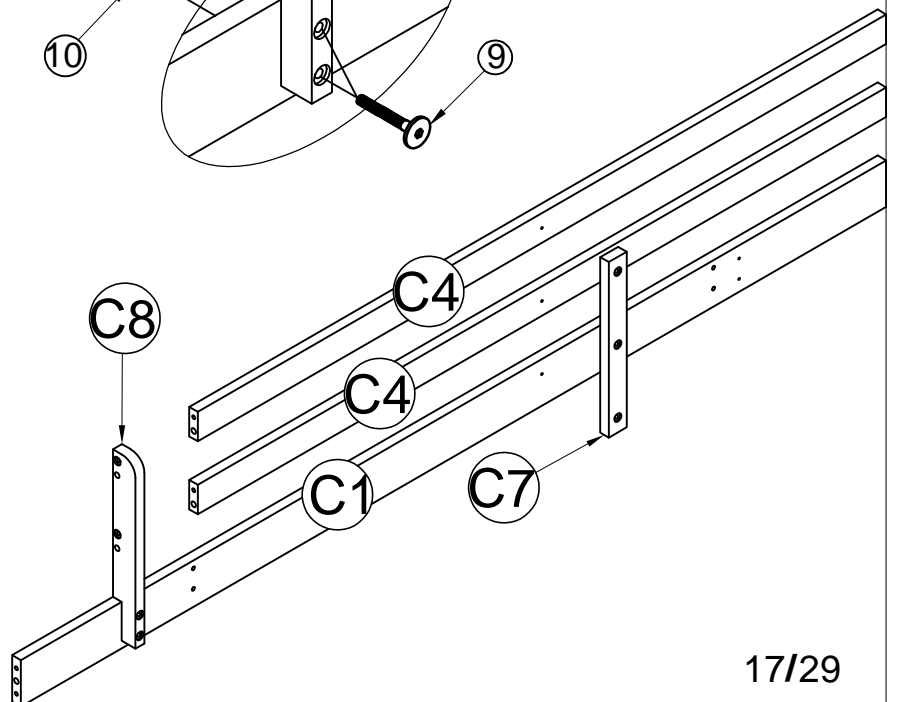
7		3	
2pcs		2pcs	
8		6	
2pcs		3pcs	
10		9	
2pcs		2pcs	

OPTION 1,4




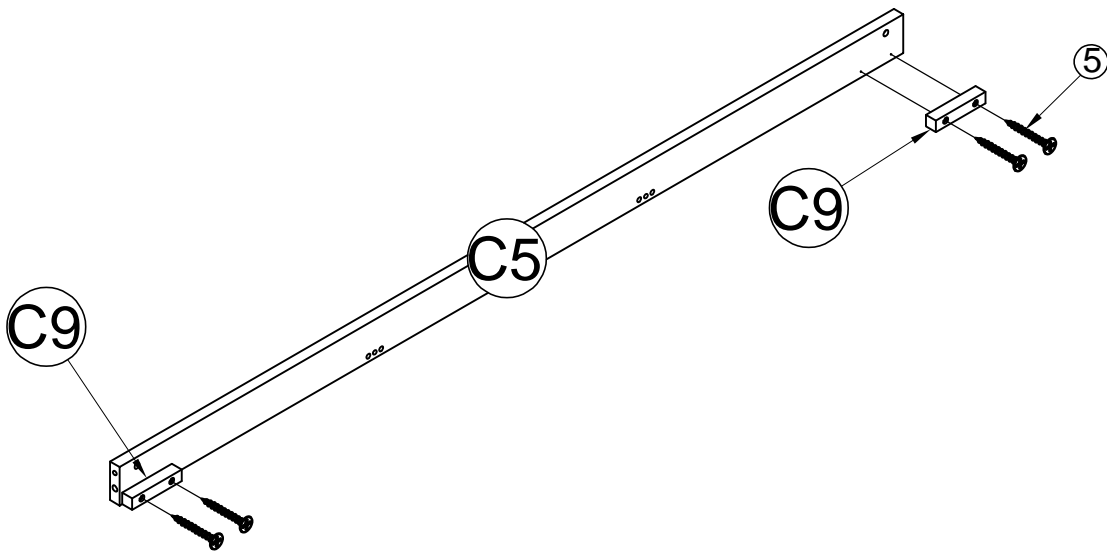
STEP 6: Following below illustration.

OPTION 2,3





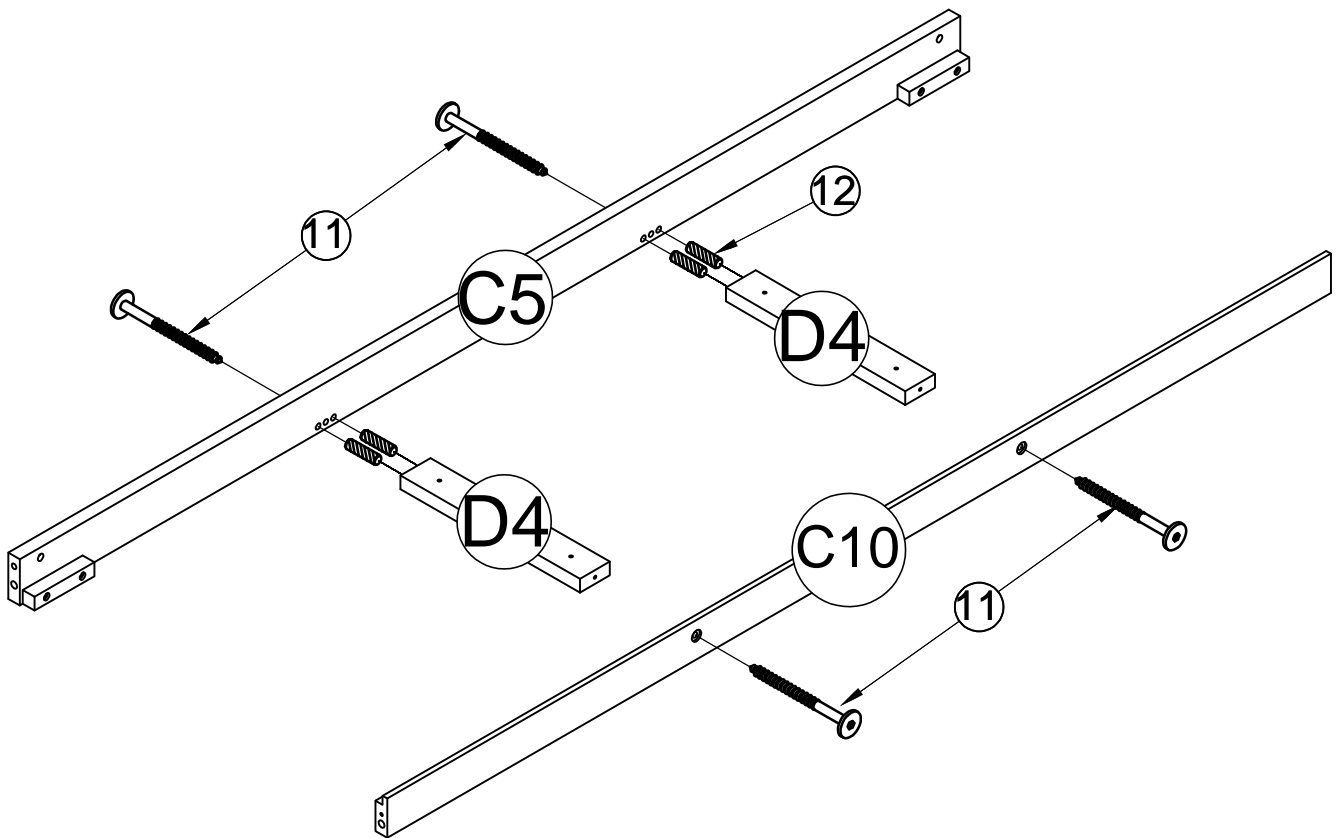
STEP 7-1: Following below illustration.

5	
4pcs	



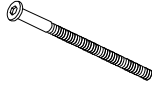



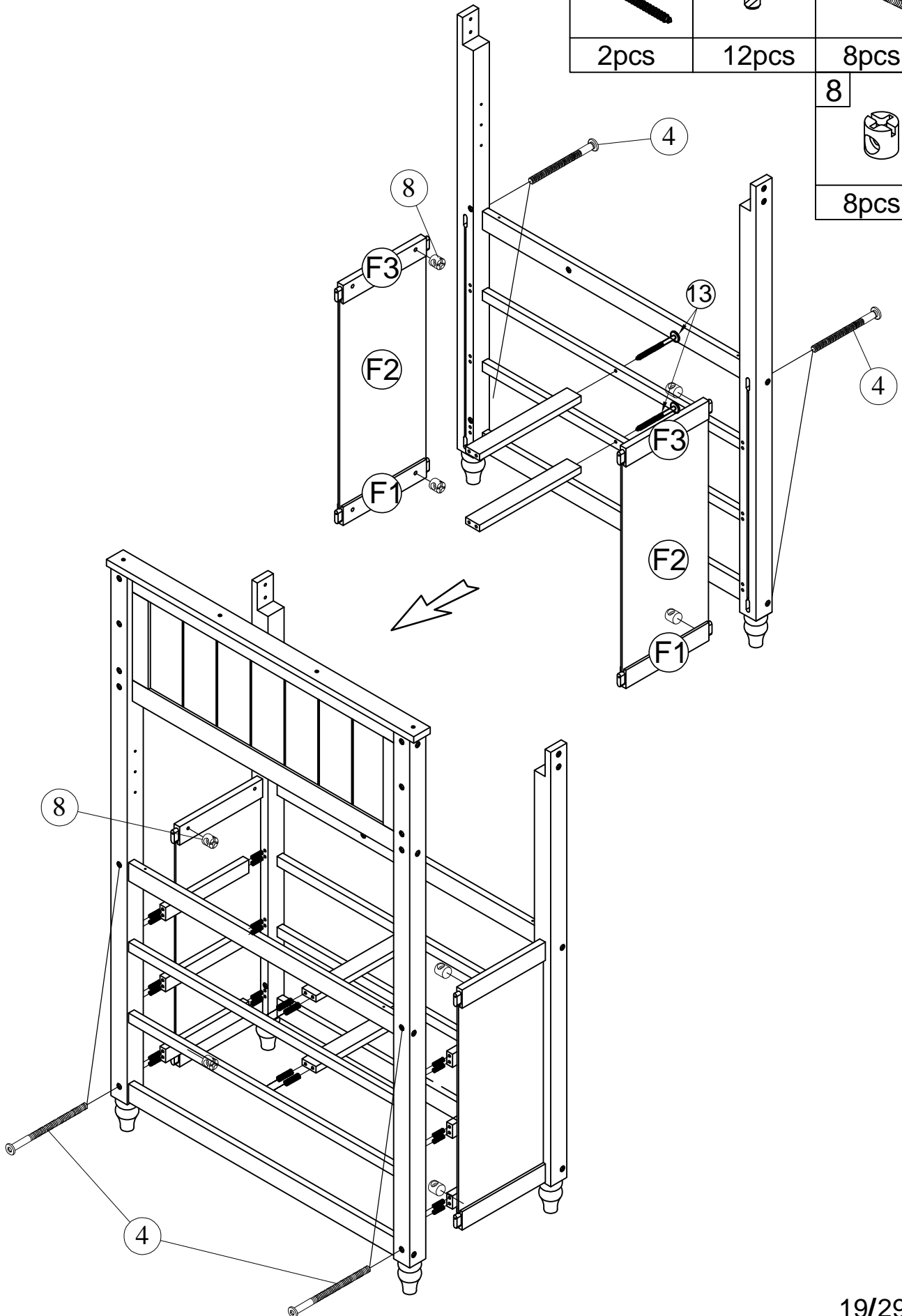
STEP 7-2: Following below illustration.

11	
4pcs	
12	
4pcs	


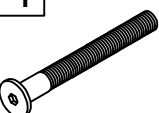





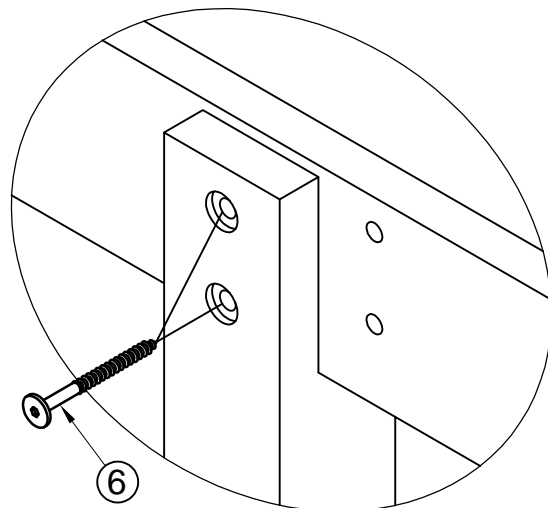
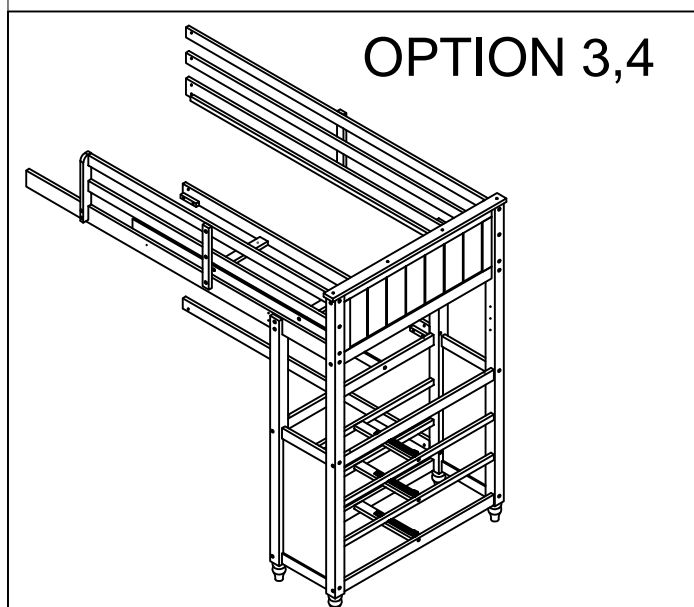
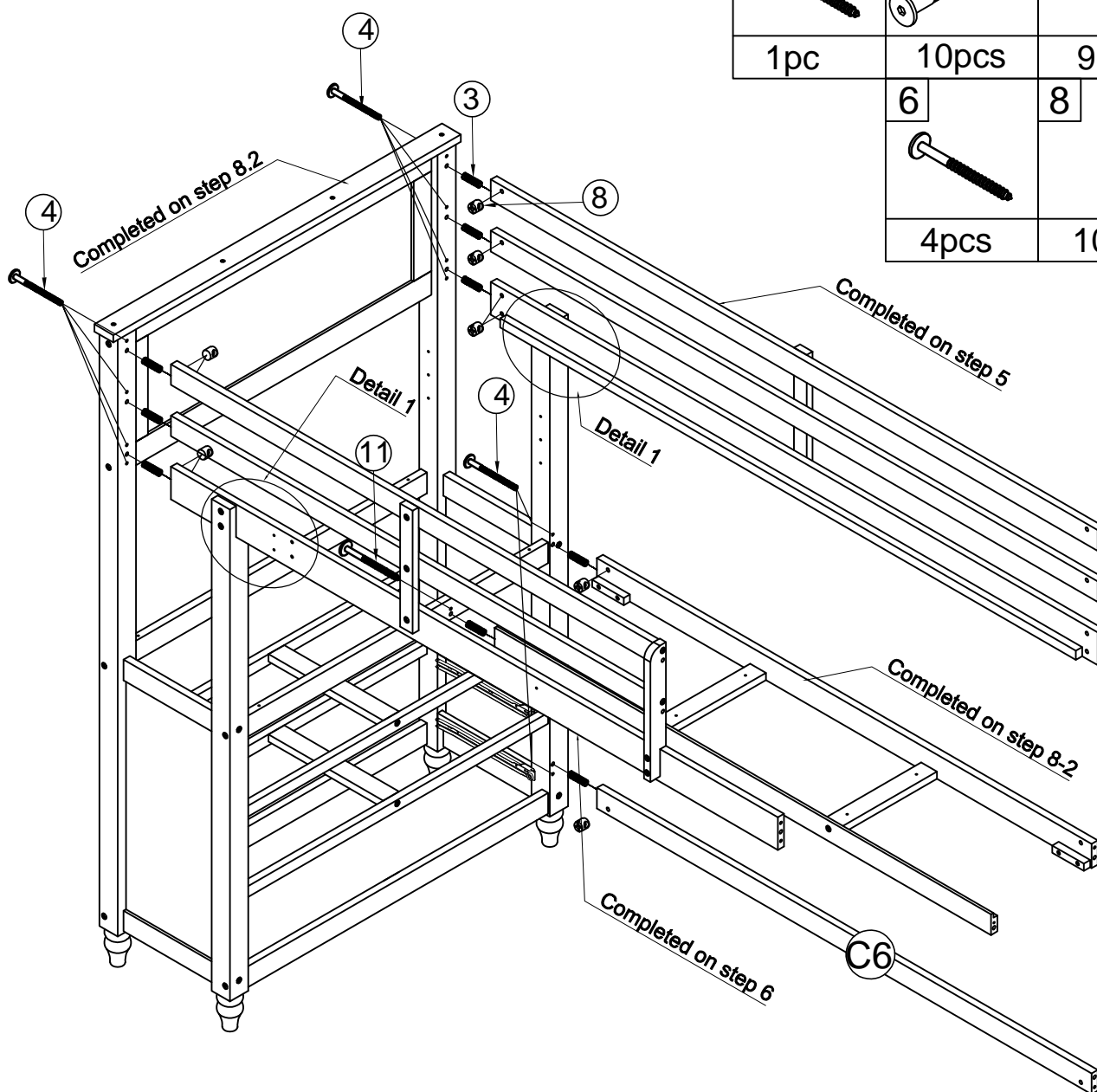
STEP 8: Following below illustration.

13	12	4
		
2pcs	12pcs	8pcs
		8
		
		8pcs




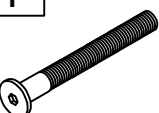


STEP 9: Following below illustration.

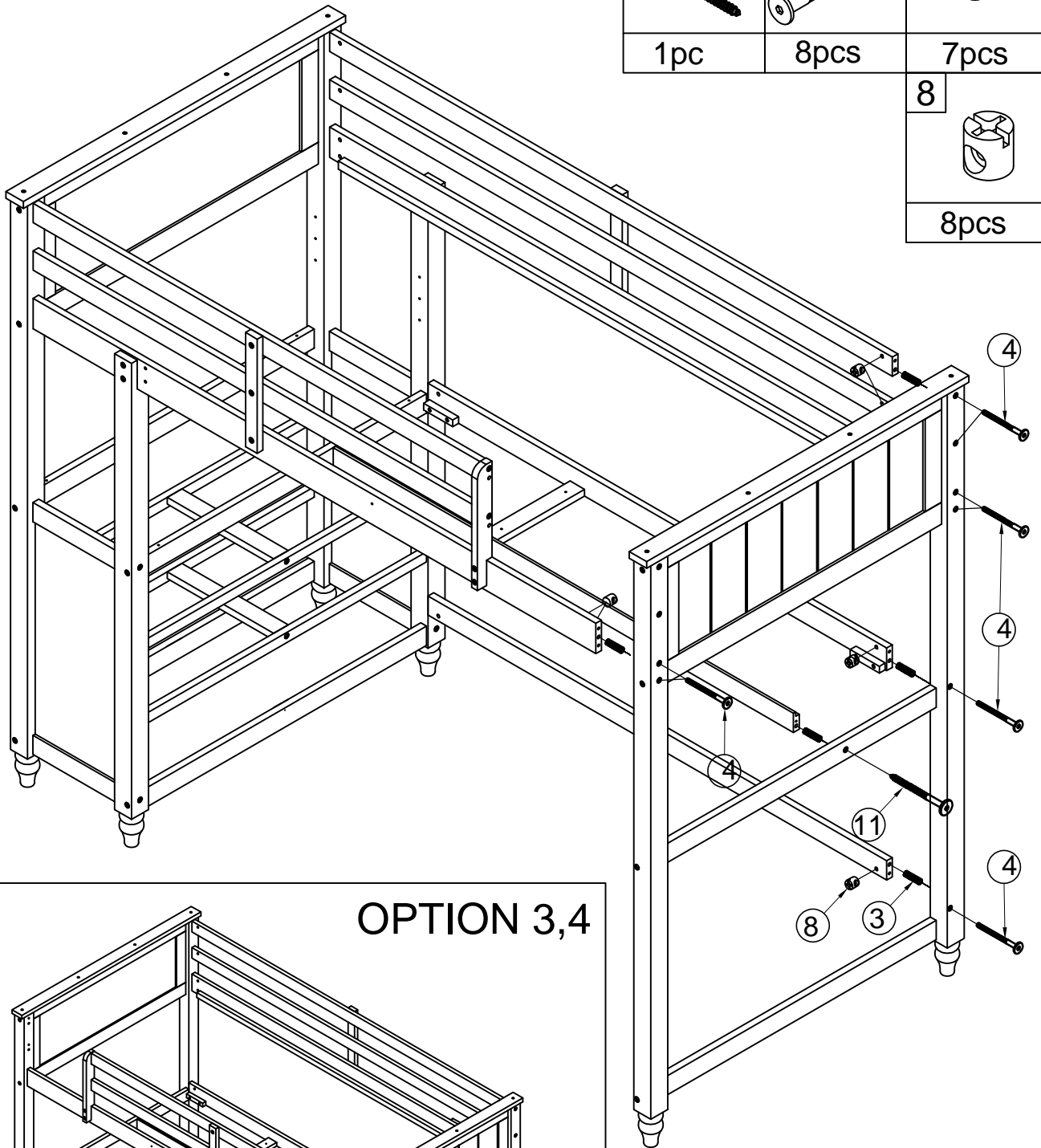
11	4	3
		
1pc	10pcs	9pcs
6	8	
		
4pcs	10pcs	



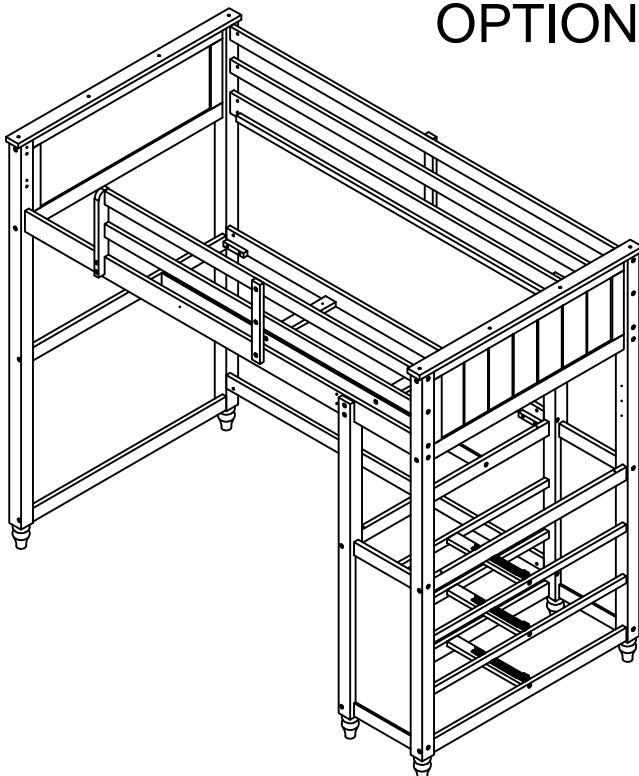
DETAIL 1

STEP 10: Following below illustration.

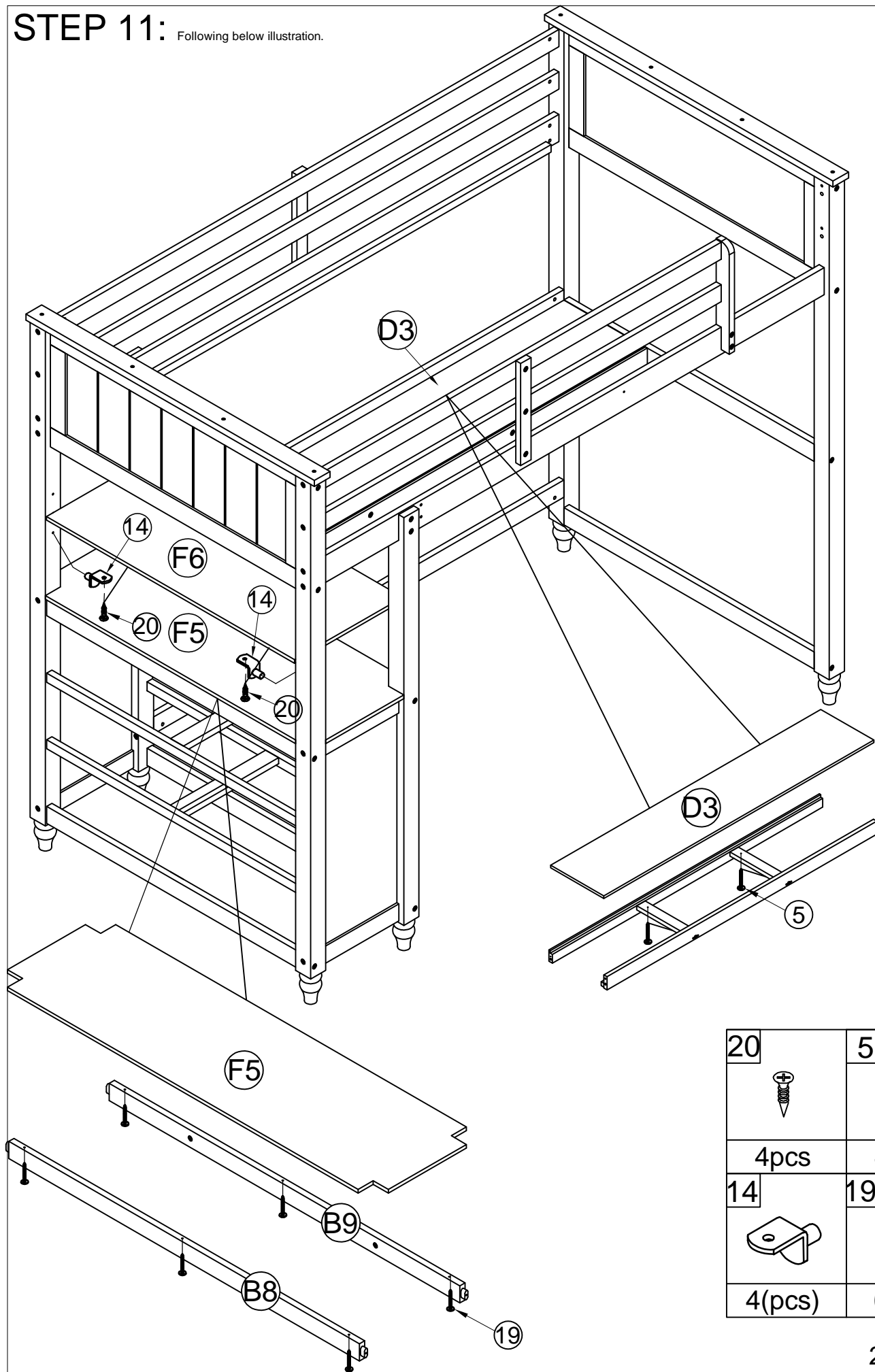
<p>11</p> 	<p>4</p> 	<p>3</p> 
<p>1pc</p>	<p>8pcs</p>	<p>7pcs</p>
<p>8</p> 		
<p>8pcs</p>		




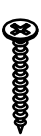


OPTION 3,4



STEP 11: Following below illustration.



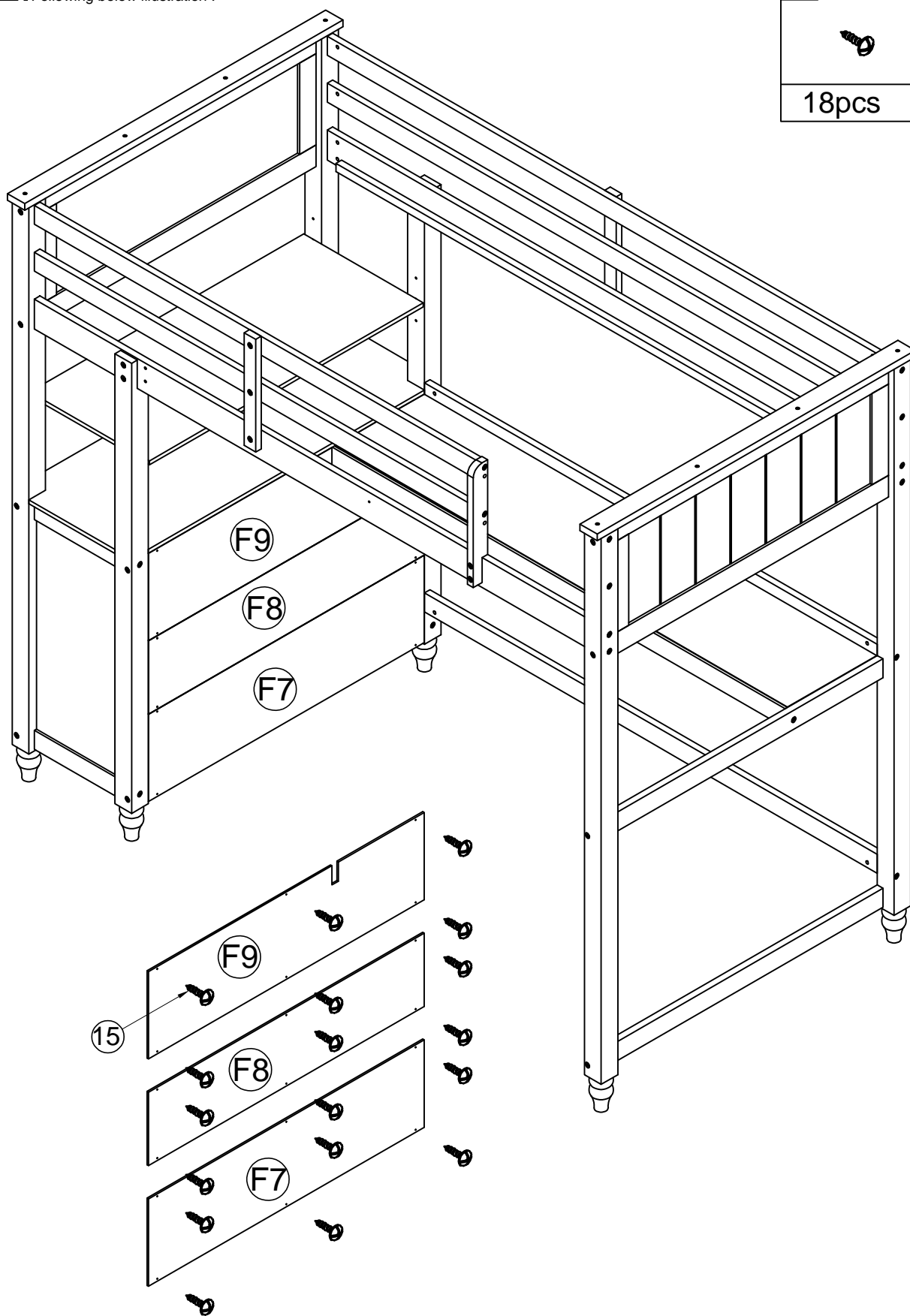
20		5	
	4pcs		4pcs
14		19	
	4(pcs)		6pcs

STEP 12: Following below illustration :



15

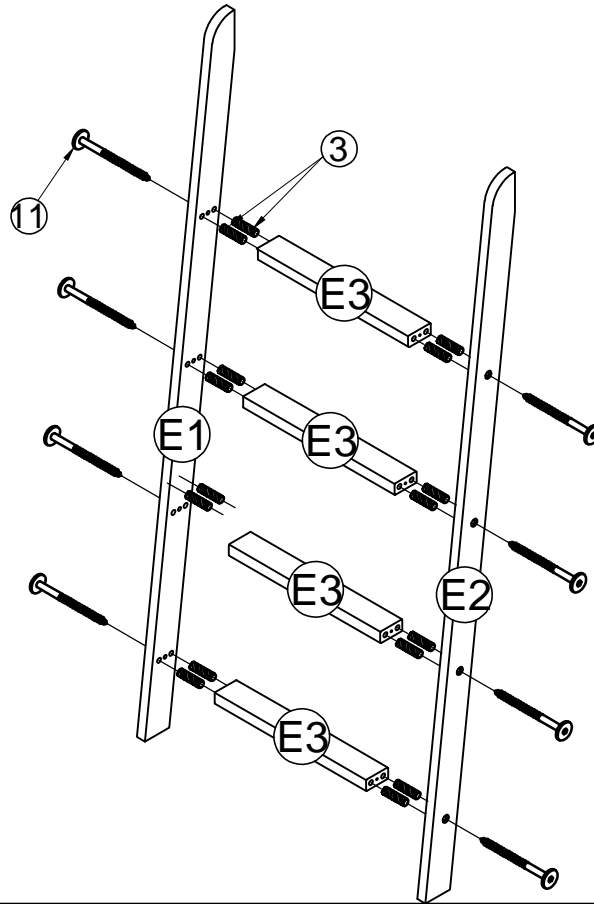


18pcs

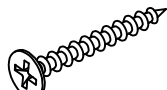



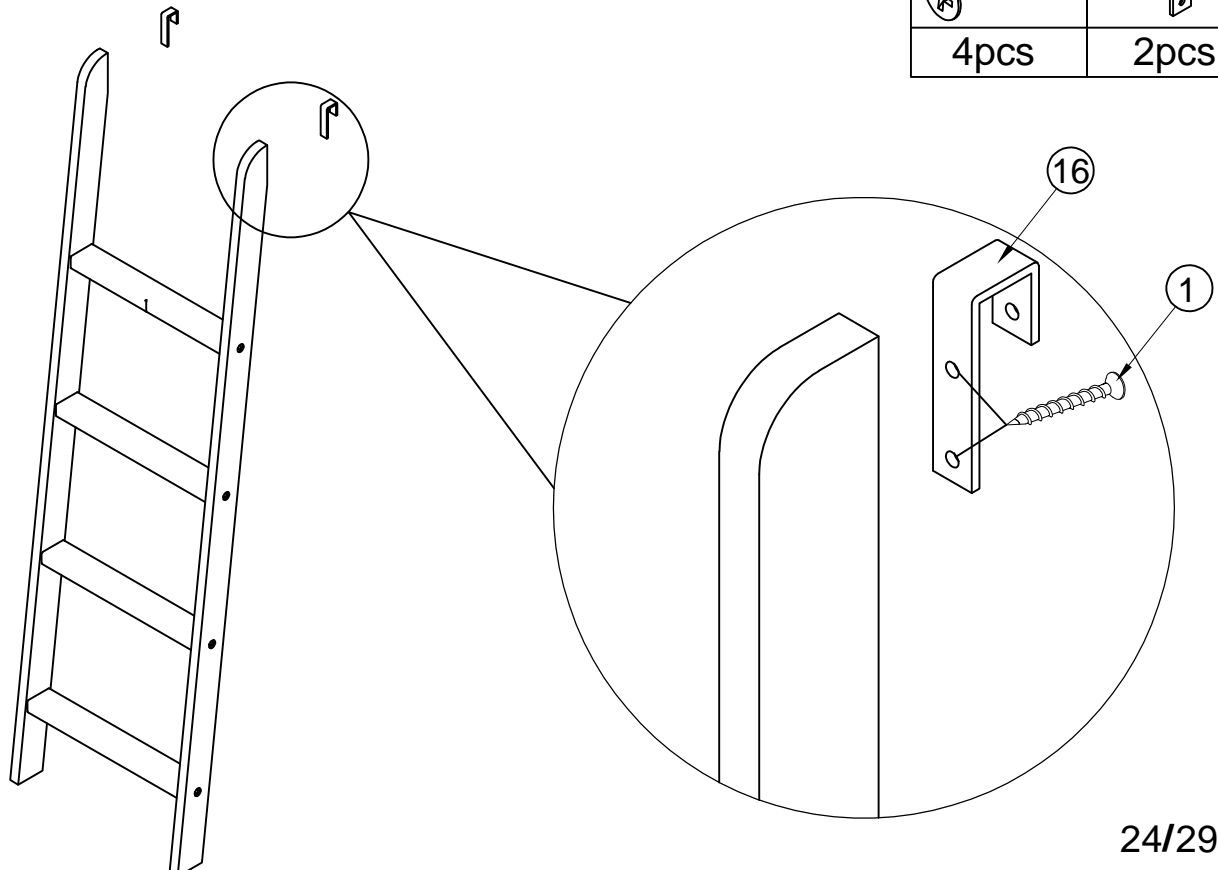
STEP 13-1: Following below illustration:

11	3
	
8pcs	16pcs




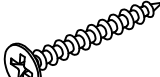

STEP 13-2: Following below illustration:

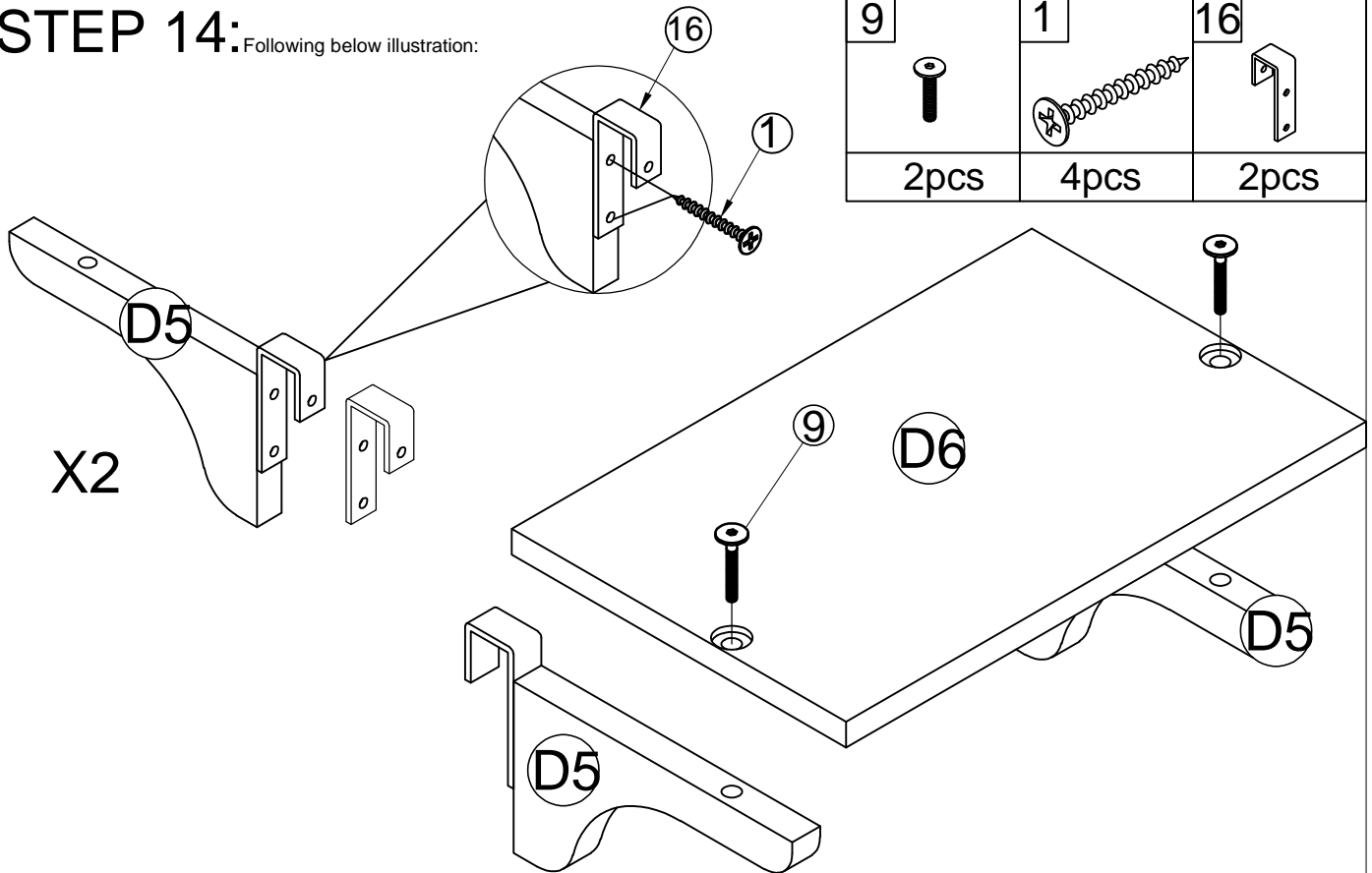
1	16
	
4pcs	2pcs



STEP 14:

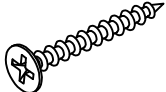
Following below illustration:

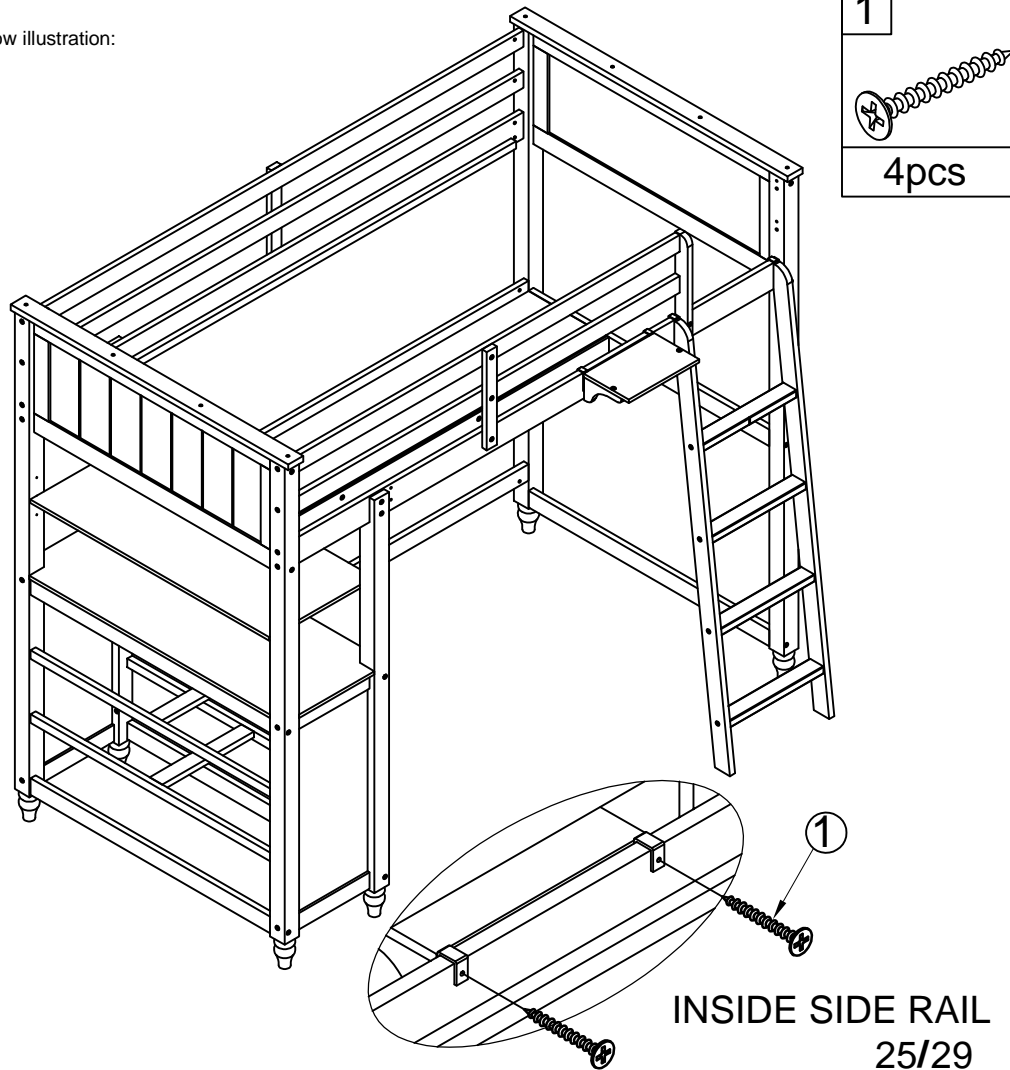
9	1	16
		
2pcs	4pcs	2pcs



STEP 15:

Following below illustration:

1

4pcs



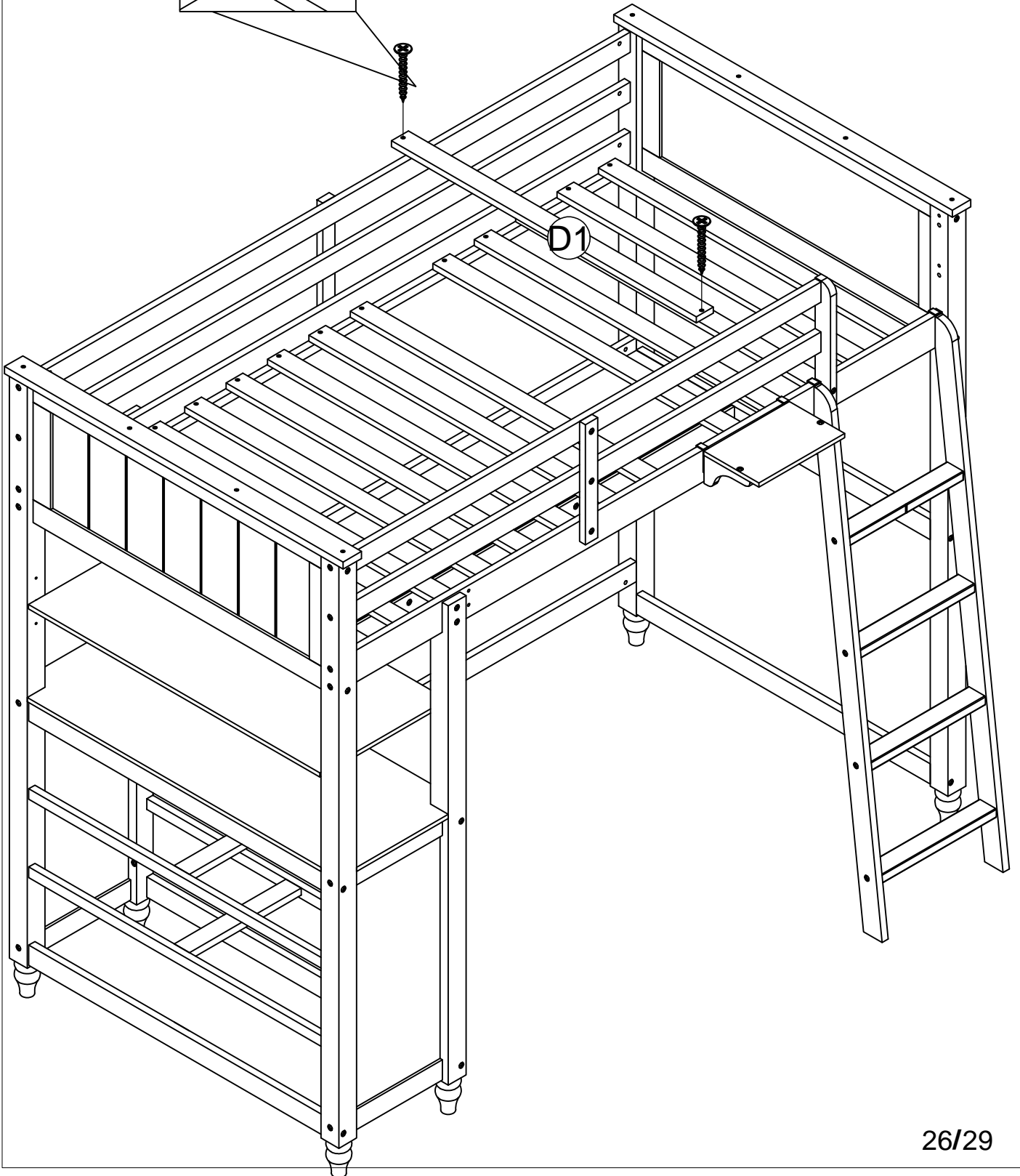
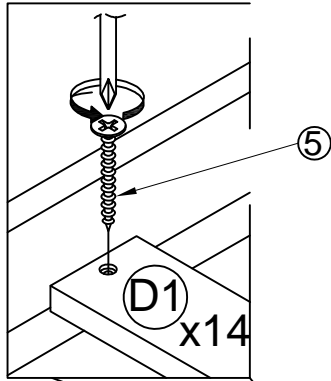
INSIDE SIDE RAIL
25/29

STEP 16: Following below illustration:

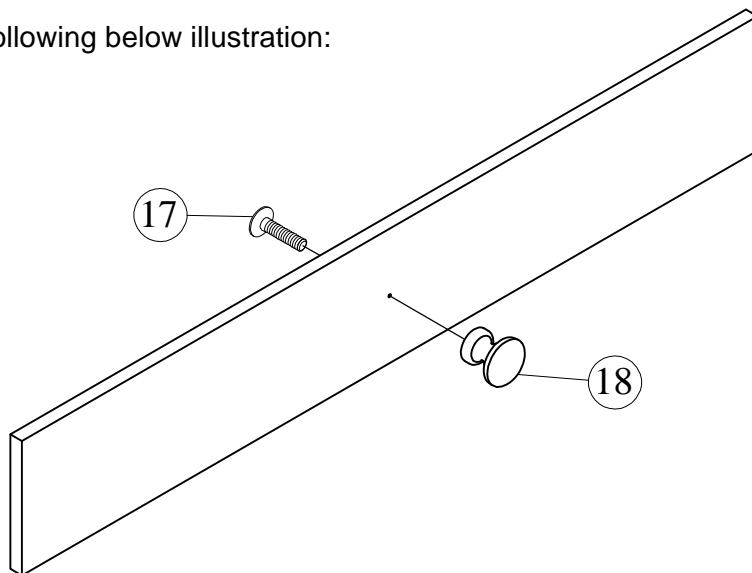
5





28pcs

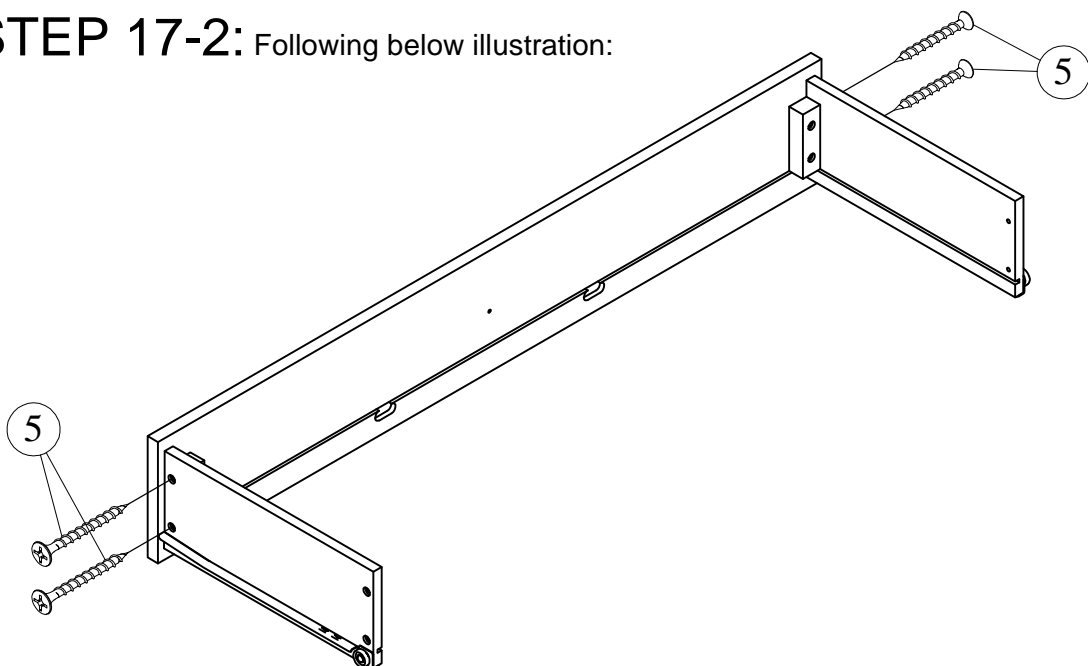



STEP 17-1: Following below illustration:



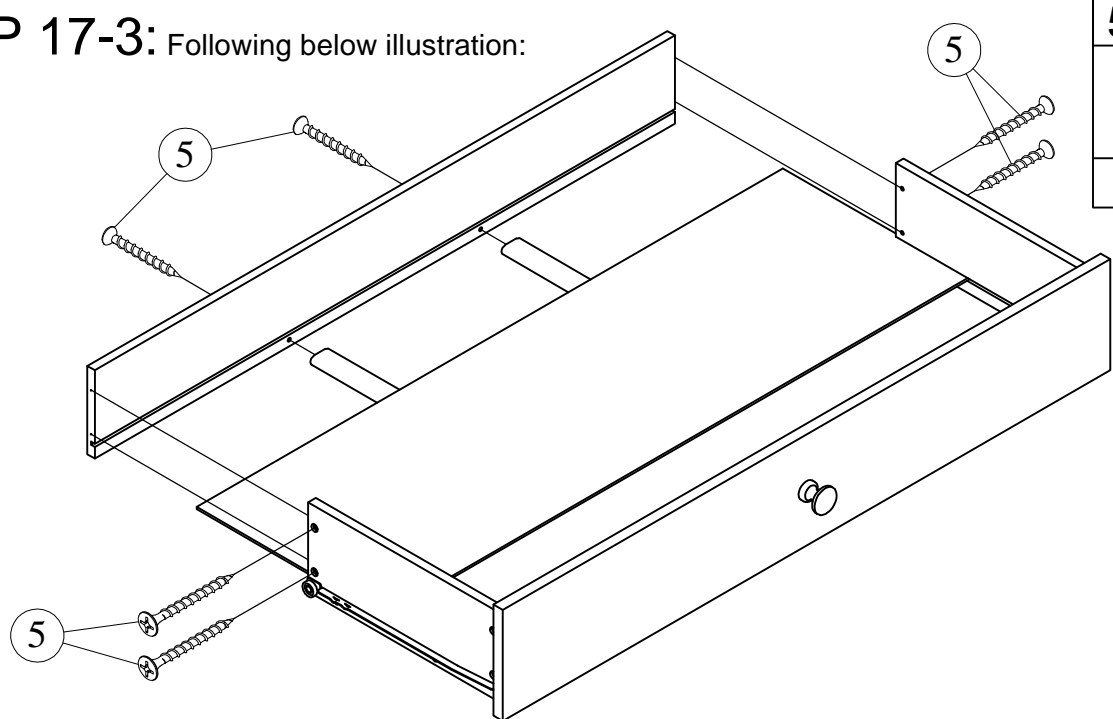
17	
	1pc
18	
	1pc


STEP 17-2: Following below illustration:



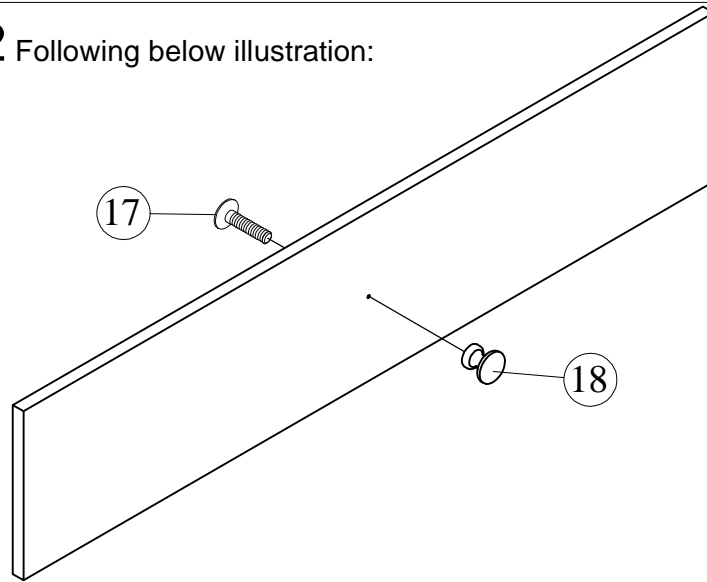
5	
	4pcs



STEP 17-3: Following below illustration:



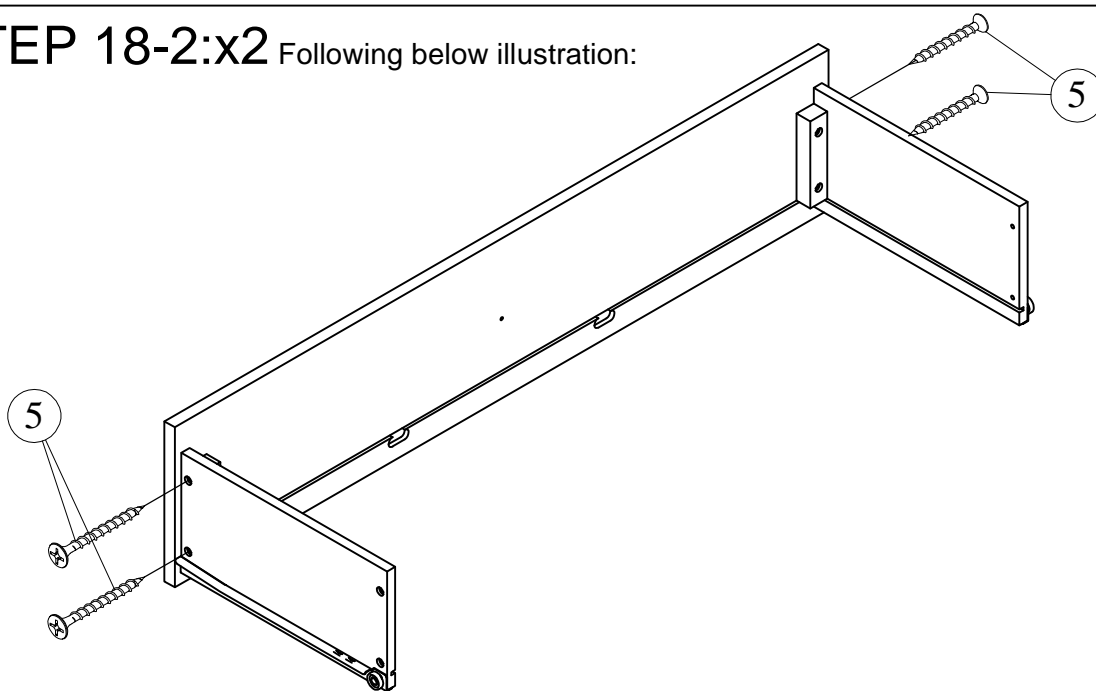
5	
	6pcs


STEP 18-1:X2 Following below illustration:



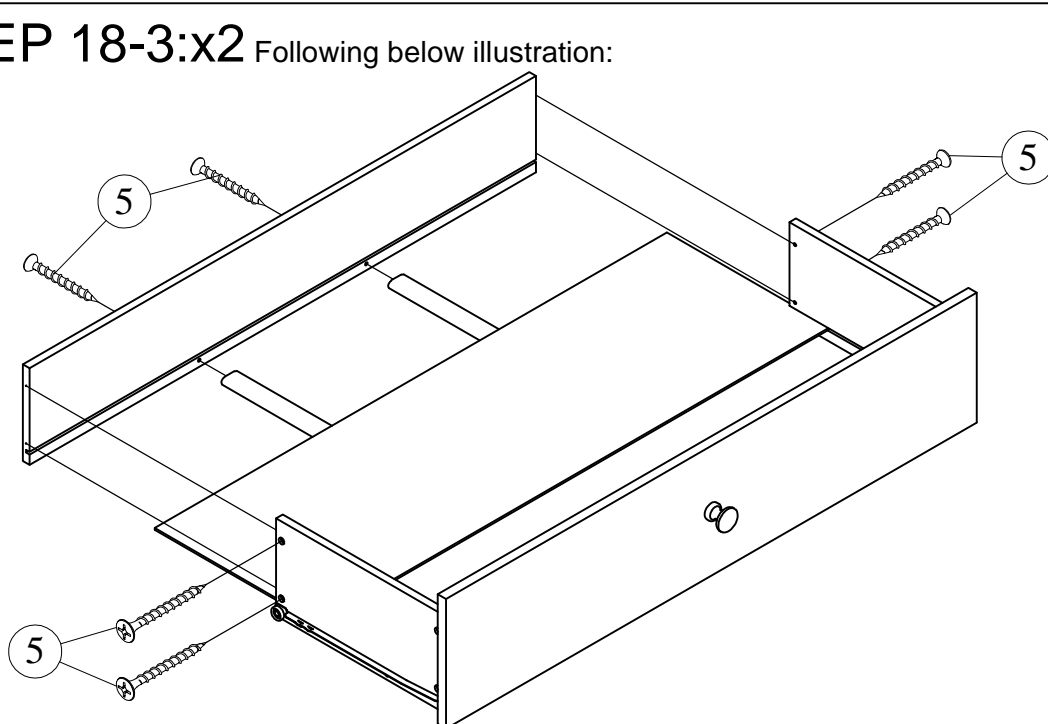
17	
2pcs	
18	
2pcs	


STEP 18-2:X2 Following below illustration:



5	
8pcs	

STEP 18-3:X2 Following below illustration:



5	
12pcs	

FINISH:

