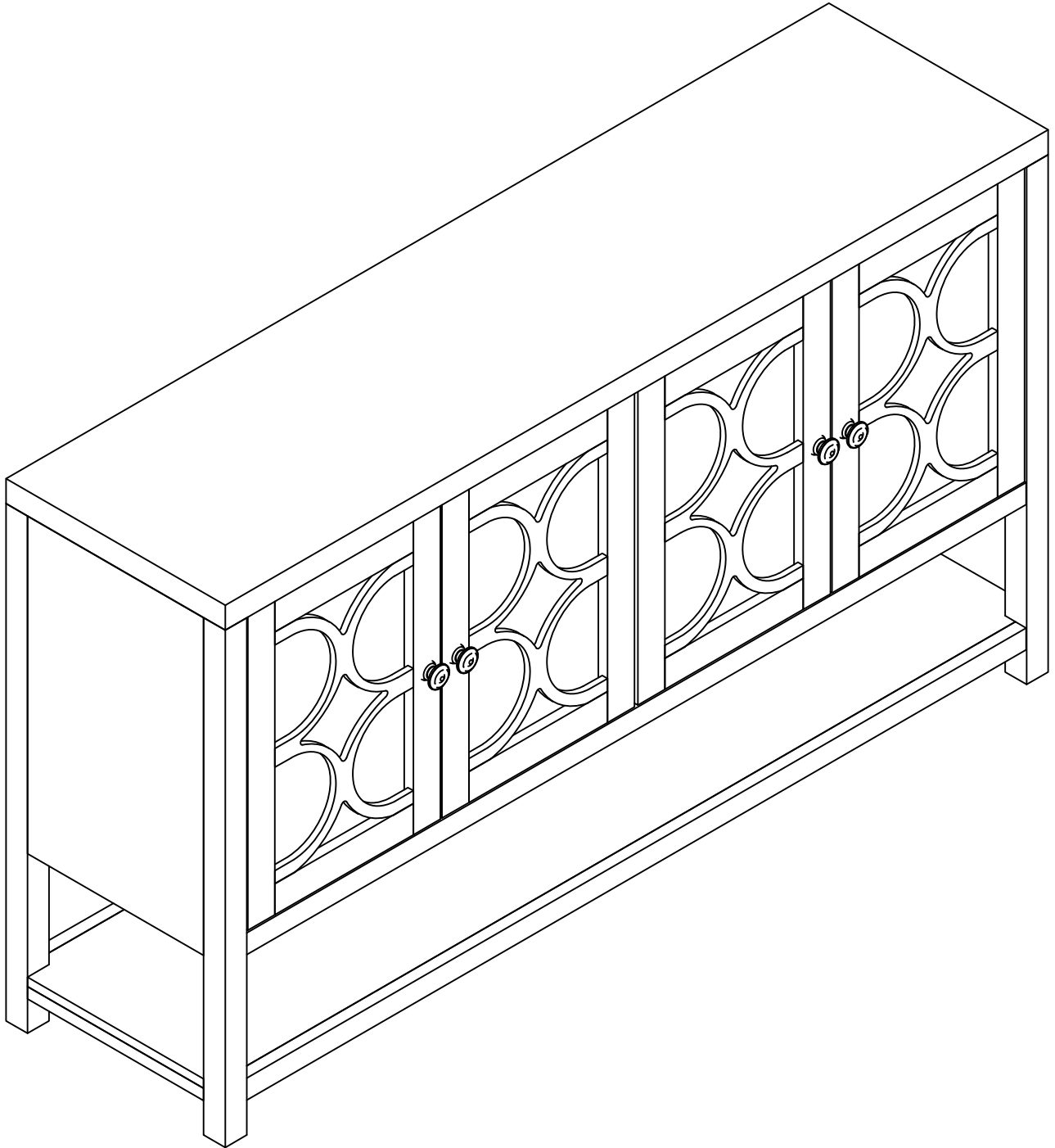


ASSEMBLY INSTRUCTION

SIDEBOARD



1. Thank you for choosing our products.

Recommendations Before Beginning Assembly

Read instructions, cover to cover

Have 2-4 adults on hand for assembly depending on product size

Do not assemble directly on flooring or carpet

Assemble on a clean non-marring surface (example: packing foam)

Save all packaging until finished



3. Assembly Notice:

● If you encounter any problems during assembly and find that you cannot continue, rest assured we will help you solve the situation as soon as possible. Simply keep all of the parts of the product stored in a safe place and contact us immediately so we may assist you further.

● Once you have opened your package, remove all inner hardware packages and take the parts out. One by one, Place the parts out neatly in front of you, then refer to the instructions to ensure no parts are missing. If any pieces are found missing, please carefully look in the box first, as the hardware packaging might have torn making the hardware spill in the box.

● Some key parts of your product may be stored and hidden inside of other parts. Please open any zippered or hook & loop storage compartments to remove all parts. (example: cushions and legs being stored in the underside of a sofa)

● **IMPORTANT:** When setting up your product, **DO NOT INSTALL THE SCREWS ALL THE WAY IN THE BEGINNING.** Place each screw into their proper hole and use your hand to twist the screw halfway. Twist all the screws in halfway to ensure the holes will match up properly and the product is level on the ground. When everything seems fitted, then tighten the screws.

● When you have completed assembly, we suggest you have more than one person to assist you with lifting and placing the product.

Care & Maintenance



Do not put hot items directly on furniture surface



Do not clean furniture with harsh cleansers or polish



Do not place furniture under direct sunlight



Do not place furniture near heating or cooling vents



Do not write on furniture without a padded barrier to protect the surface



Do not place furniture outside. For indoor use only



Not for commercial use. For residential use only



Stains may be removed with mild soap solution and damp cloth



Children should not climb or jump on the furniture

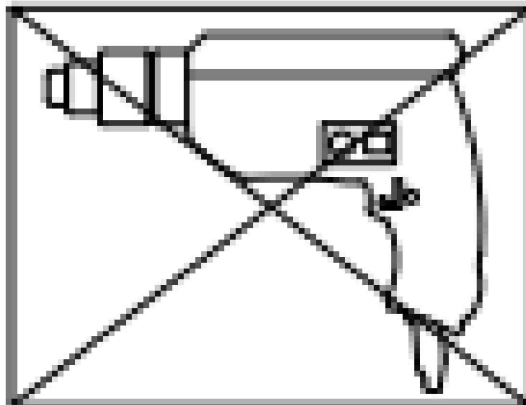


Dust and pick-up spills using a clean, non-colored, lint-free cloth

Caution

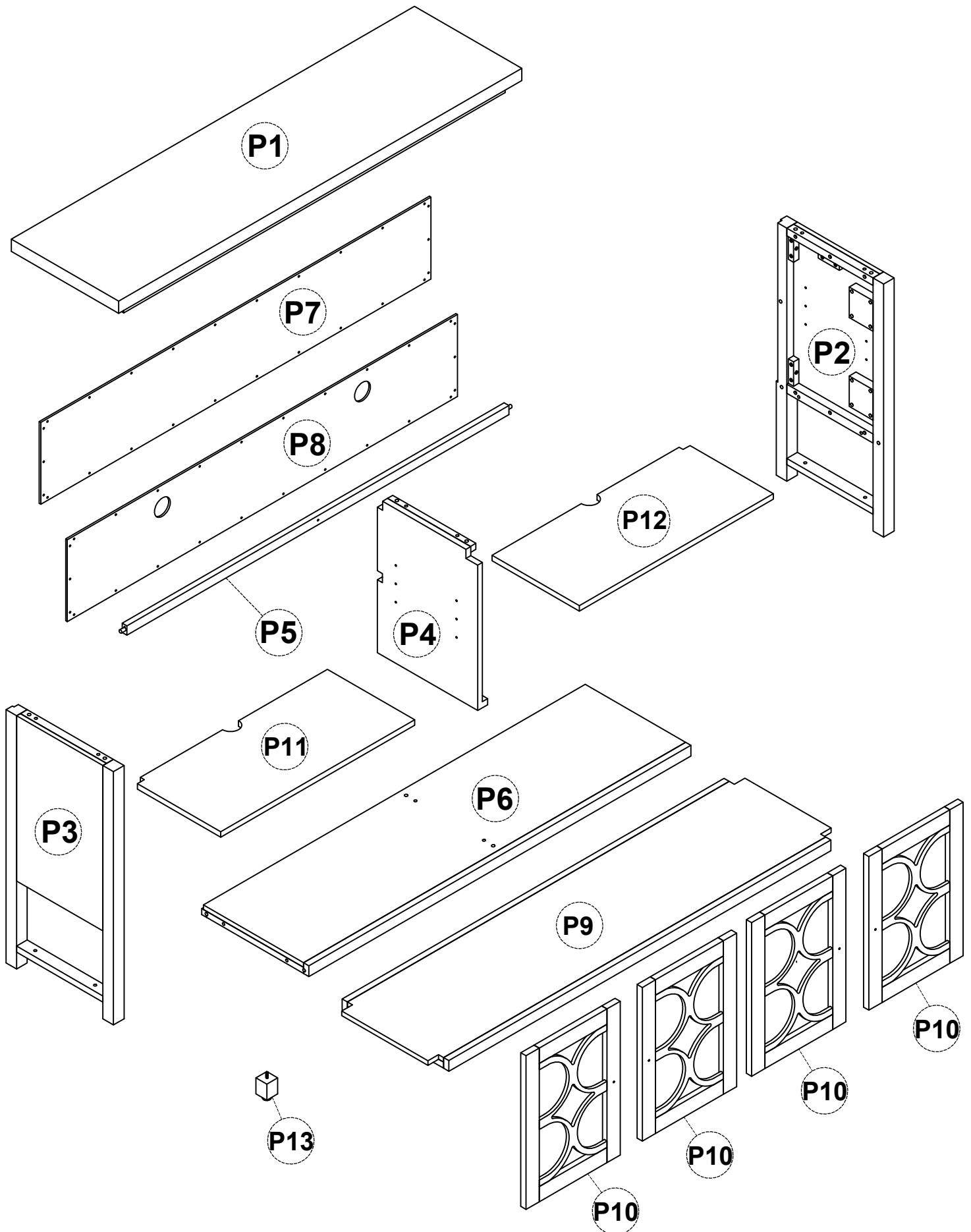
This product contains small components. Please ensure that they are kept away from small children.

Do not use power tools to assemble your furniture. Power tools may strip or damage the



ASSEMBLY INSTRUCTION

SIDEBOARD



ASSEMBLY INSTRUCTION

SIDEBOARD

Important - Please read instructions fully before starting assembly

. Check you have all the components and tools listed on the following pages

. Remove all fittings from the plastic bags and separate them into their groups.

. Keep children and animals away from the work area, small parts could choke if swallowed.

. Make sure you have enough space to layout the before starting.

. During assembly do not stand or put weight on the product this could cause damage.

. Assembly the item as close to its final position (in the same room) as possible.

. Assembly on a soft level surface to avoid damaging the unit or your floor.

. Parts of the assembly will be easier with 2 people.



. To reduce the likelihood of damaging your product please ensure that your power drill is set on a low torque setting.

power drill is set on a low torque setting.

Care and maintenance

. Only clean using a damp cloth and mild detergent, do not use bleach or abrasive cleaners.

. From time to time check that there are no loose screws on this unit.

. This product not be discarded with household waste Take to your local authority waste disposal centre.

Handy Hints

. Assembly all parts and bolts loosely during assembly only once the product is complete should fully tighten the bolts.

. Regularly check and ensure that all bolts and fittings are tightend properly.

WARNING

In order to help prevent overturning - please follow these instructions

To help prevent product toppling over please follow the below steps.

Use the anti tip stap or wan fixing method provided (if applicable)

Do not allow children to climb or hang on the furniture

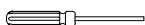
Do not open more than one drawer at a time

Do not place heavy items in the top drawers

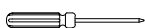
Do not place heavy items on top of the furniture, unless the furniture has been designed for this purpose

Please note that only anti tip strap in provided

You will need to provide wall plugs and screws applicable for your wall type

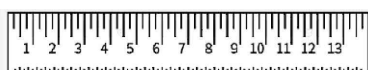


Tools required



Screwdriver (medium & large)

Ruler - Use this ruler to help correctly identify the screws



The screws length is measured from the head to the point

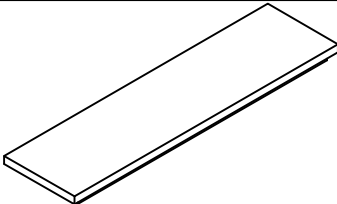
ASSEMBLY INSTRUCTION

SIDEBOARD

Part List

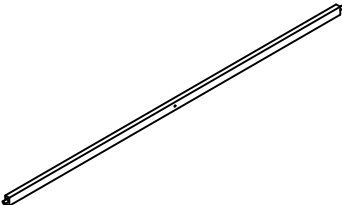
P1

TOP PANEL - 1PC



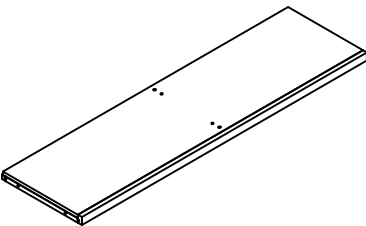
P5

REAR TIE ROD - 1PC



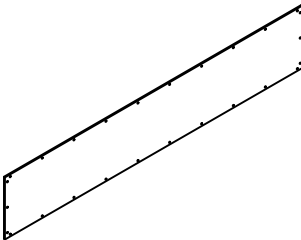
P6

BOTTOM - 1PC



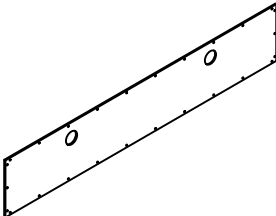
P7

BACK PANEL - 1PC



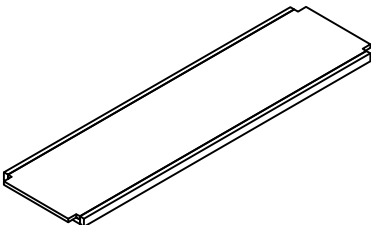
P8

BACK PANEL - 1PC



P9

FLOOR SHELF - 1PC



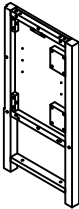
ASSEMBLY INSTRUCTION

SIDEBOARD

Part List

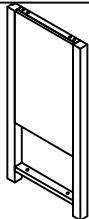
P2

RIGHT PANEL - 1PC



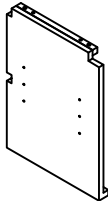
P3

LEFT PANEL - 1PC



P4

BETWEEN PANEL - 1PC



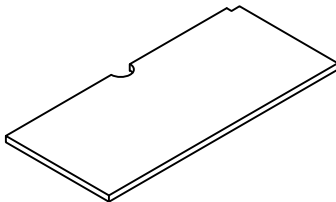
P10

RIGHT DOOR - 4PCS



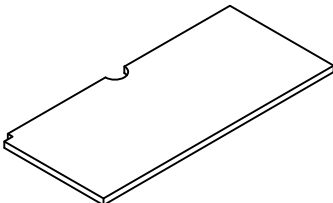
P11

RIGHT SHELF - 1PC



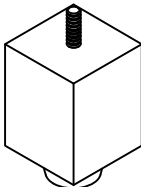
P12

LEFT SHELF - 1PC



P13

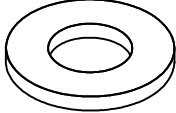
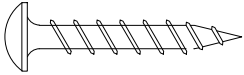
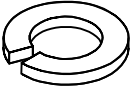
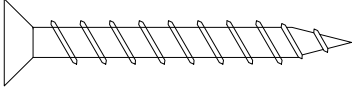
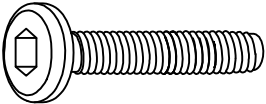
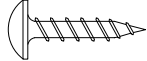
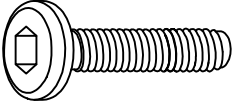
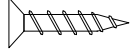

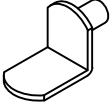

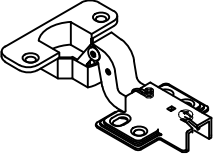


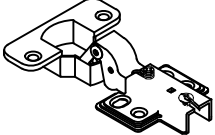
Center Leg - 1PC



ASSEMBLY INSTRUCTION

SIDEBOARD

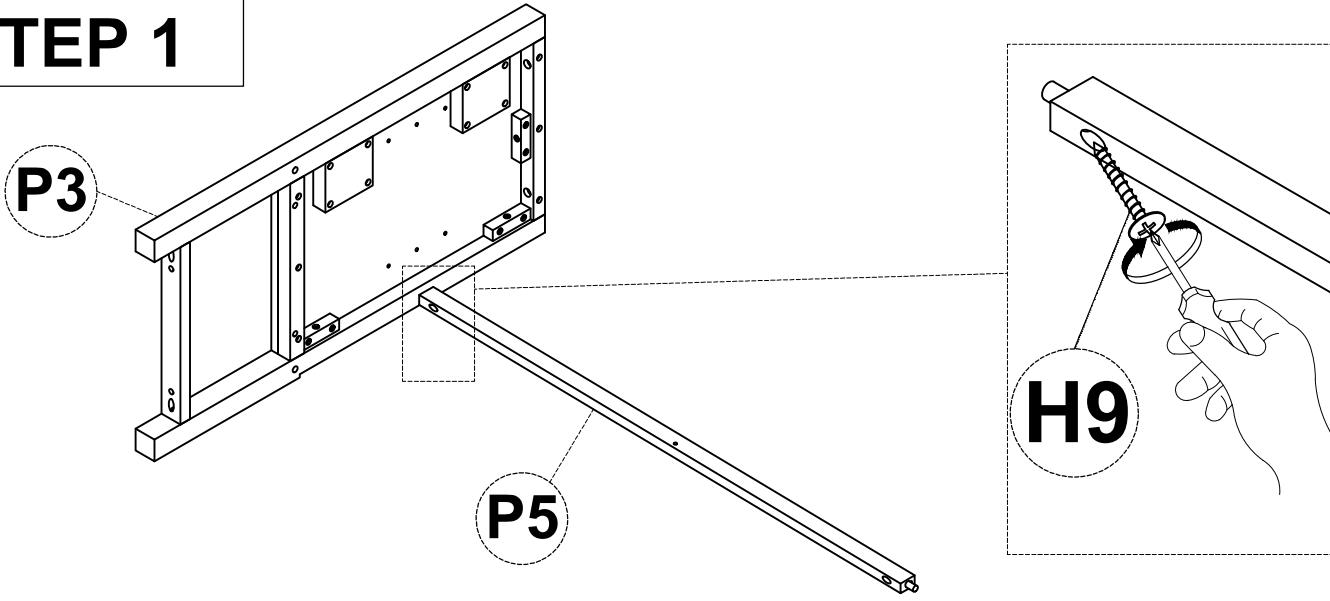
Hardware List

H1  5/16"* 16mm x 1.5mm Flat Washer (16pcs)	H8  Ø 4 x 25mm Umbrella Screw - 1pc
H2  5/16" x 13mm x 1.5mm Spring Washer (16pcs)	H9  Ø 4 x 40mm Flat head screw - 2pcs
H3  (Ø13) 5/16" x 40mm Hex- Head Bolts (12pcs)	H10  Ø 4 x 15mm Umbrella head screw - 52pcs
H4  (Ø13) 5/16" x 35mm Hex- Head Bolts (4pcs)	H11  Ø 3.5 x 15mm Flat head screw - 48pcs
H5  Allen kay - 1pc	H12  Shelf pin - 8pcs
H6  Ø 10 x 30mm Wooden Pegs - 12pcs	H13  Damping Hinges - 4 pcs
H7 A  Handle - 4pcs	H7 B  Bolts M4*30 (4pcs)
H14  Damping Hinges - 4 pcs	

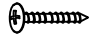
ASSEMBLY INSTRUCTION

SIDEBOARD

STEP 1

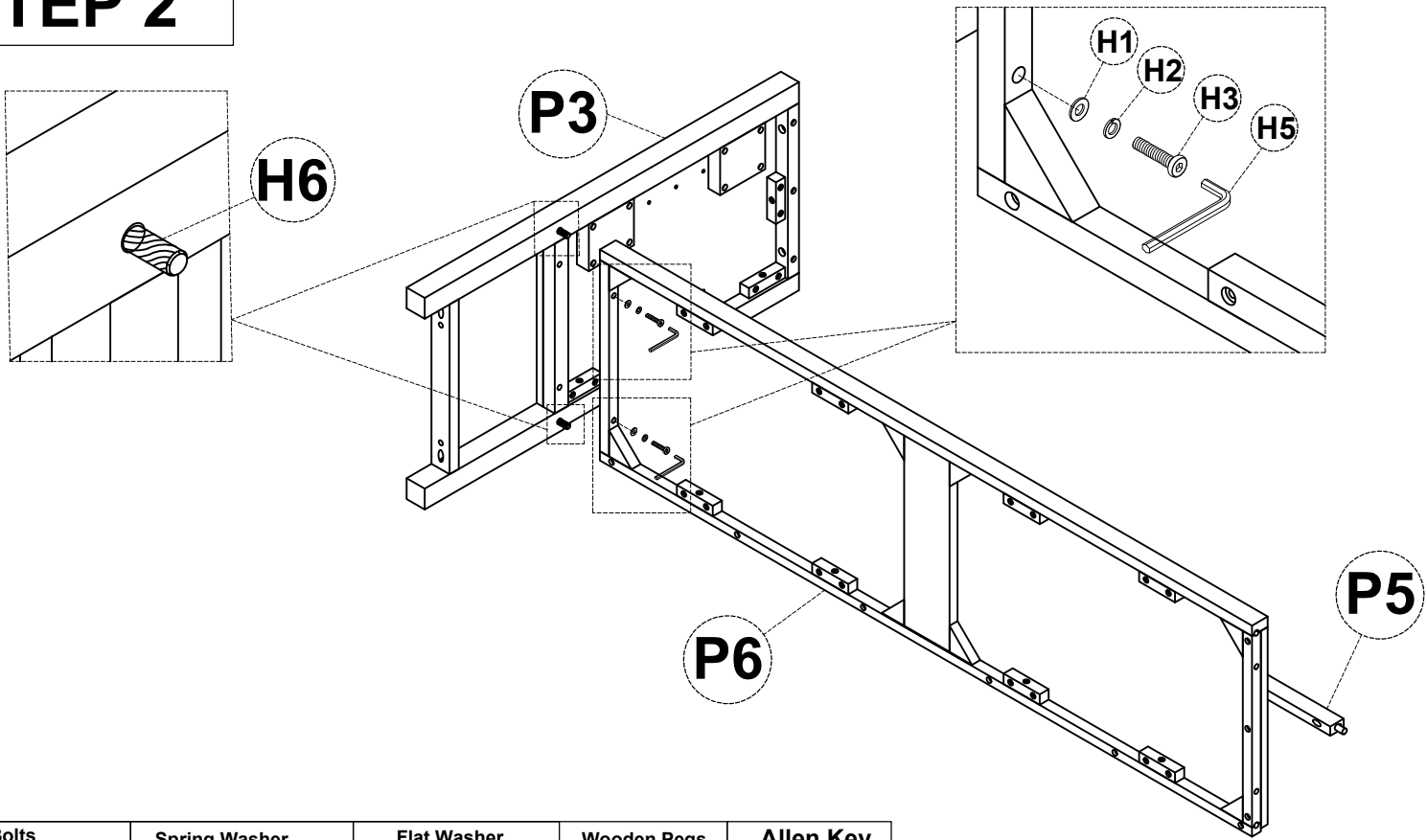


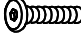




SCREW 4 x 40mm
(Flat head screw)



H9 = 1

STEP 2

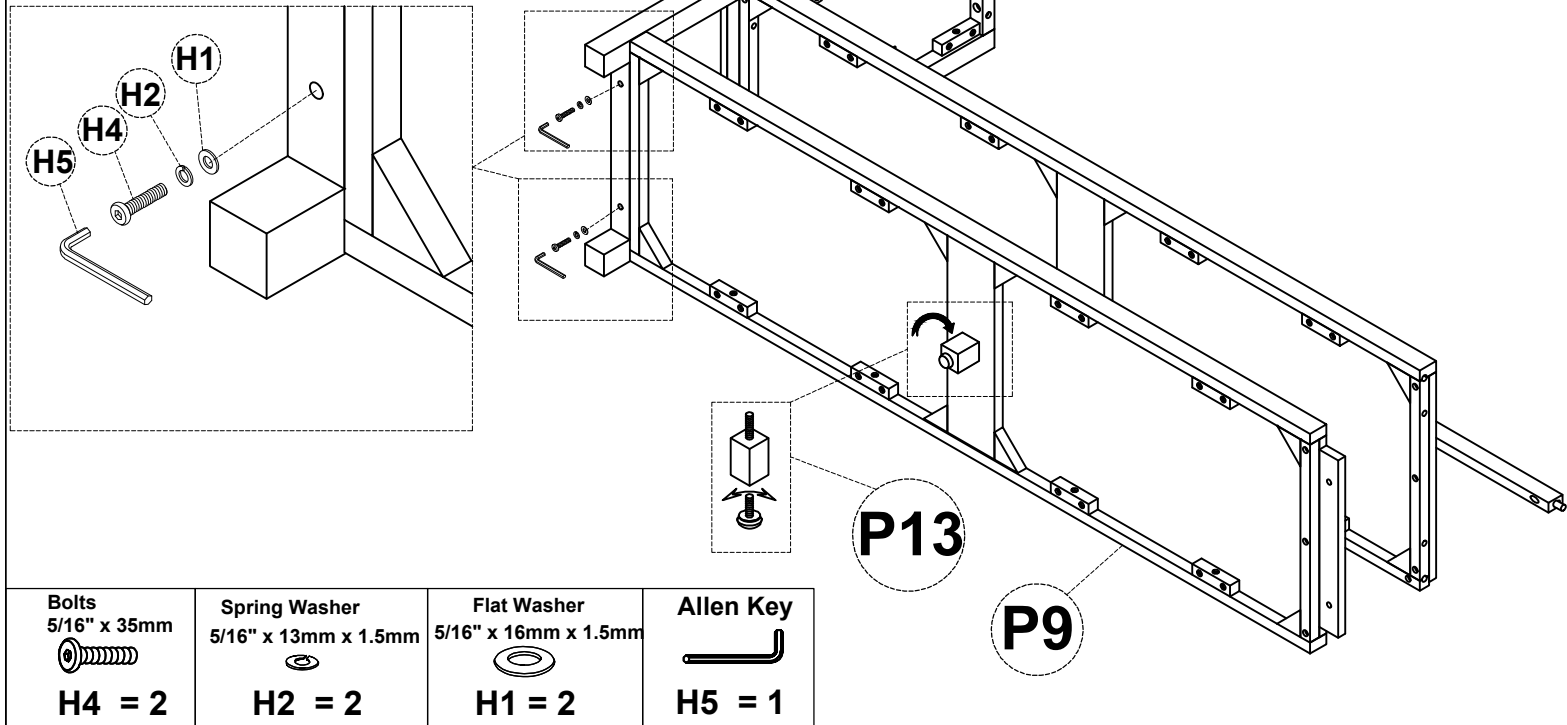


Bolts 5/16 x 40mm  H3 = 2	Spring Washer 5/16" x 13mm x 1.5mm  H2 = 2	Flat Washer 5/16" x 16mm x 1.5mm  H1 = 2	Wooden Pegs  H6 = 2	Allen Key  H5 = 1
--	--	--	--	--

ASSEMBLY INSTRUCTION

SIDEBORD

STEP 3



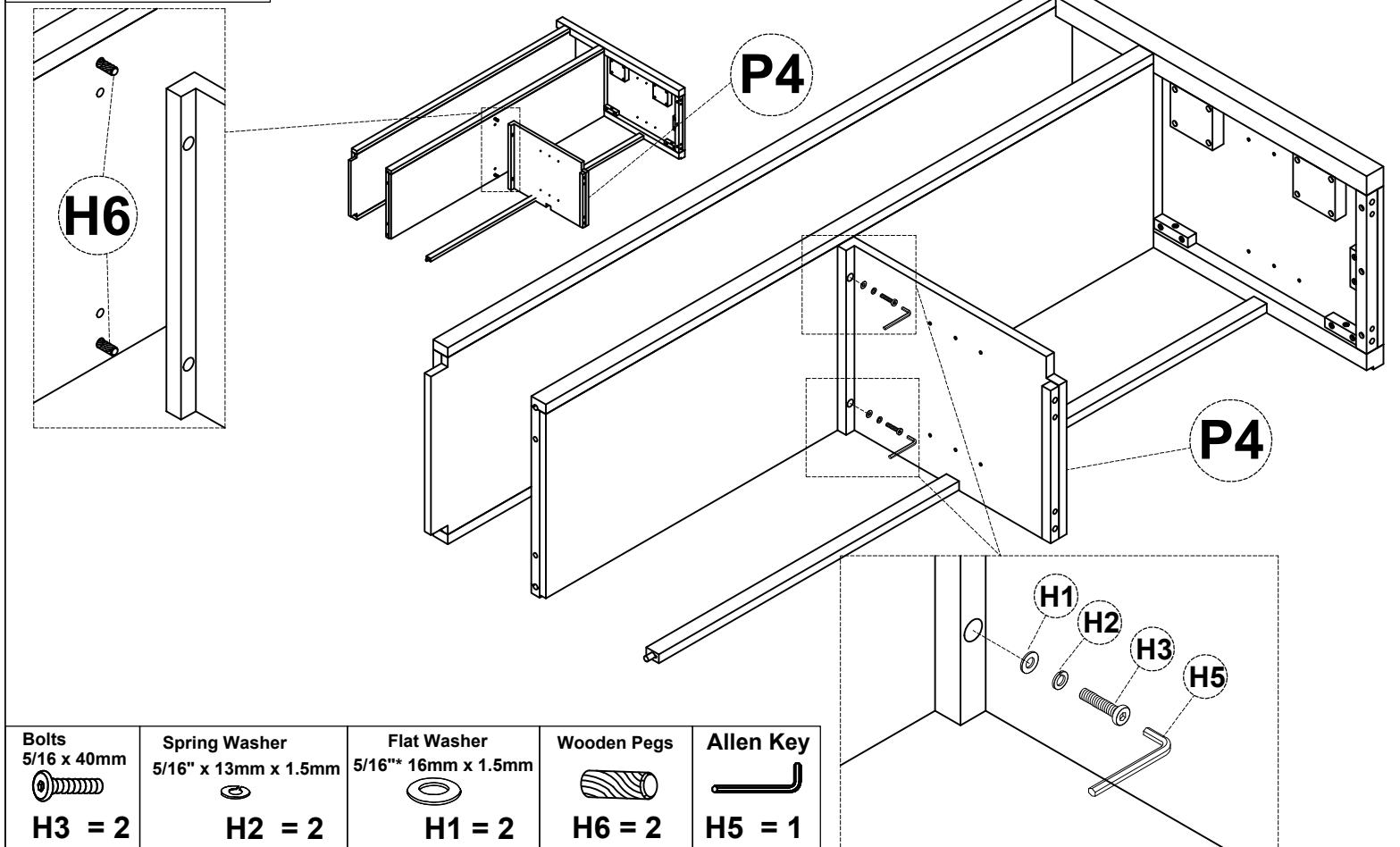
Bolts
5/16" x 35mm
H4 = 2

Spring Washer
5/16" x 13mm x 1.5mm
H2 = 2

Flat Washer
5/16" x 16mm x 1.5mm
H1 = 2

Allen Key
H5 = 1

STEP 4



Bolts
5/16 x 40mm
H3 = 2

Spring Washer
5/16" x 13mm x 1.5mm
H2 = 2

Flat Washer
5/16** 16mm x 1.5mm
H1 = 2

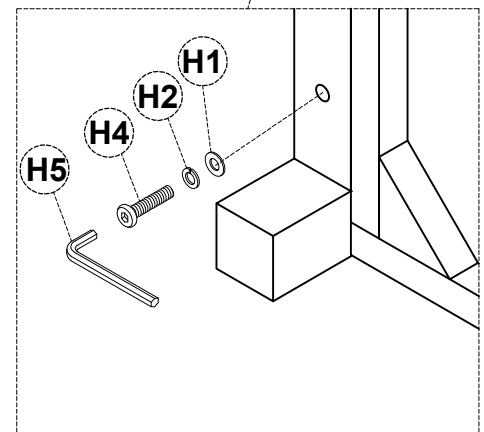
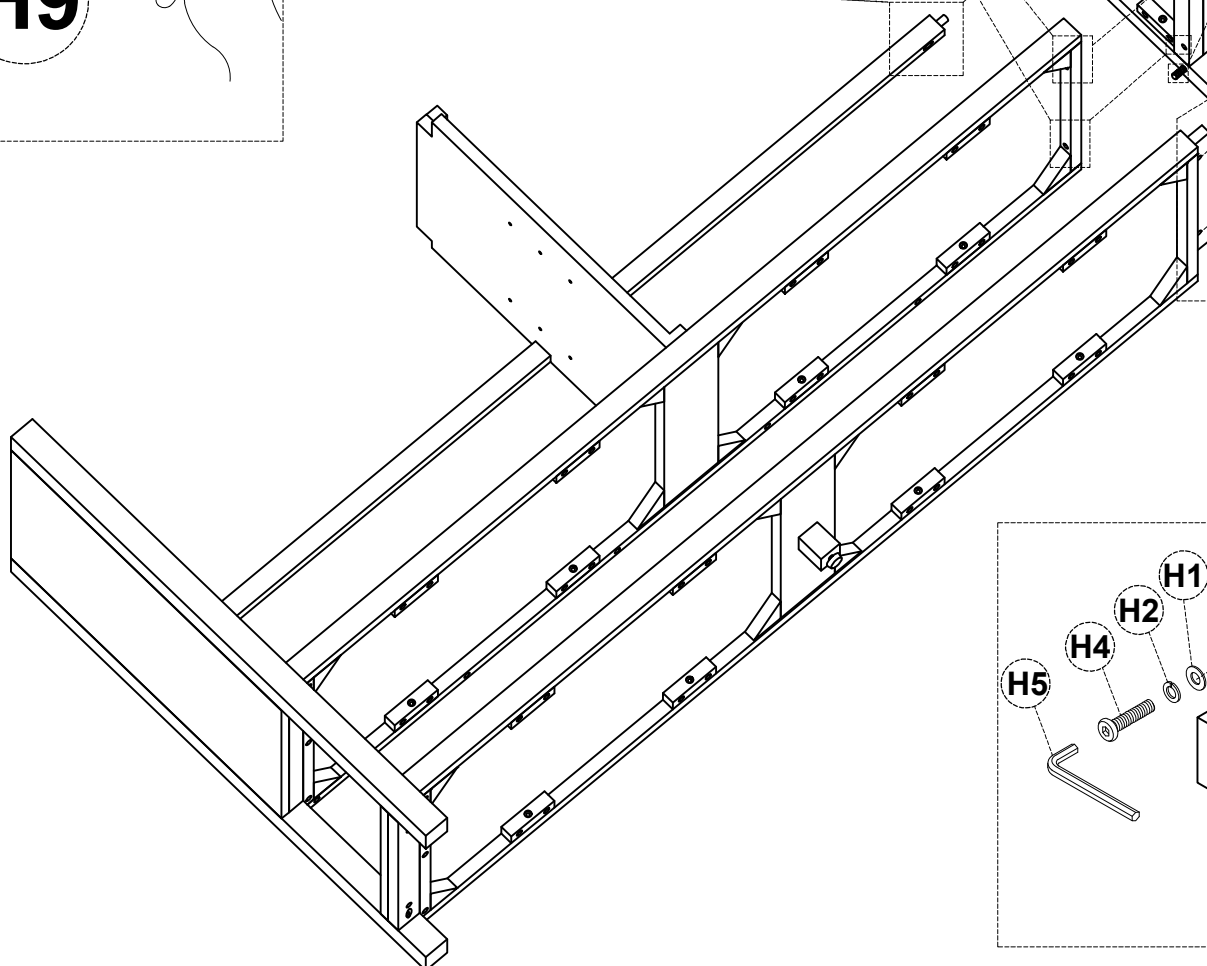
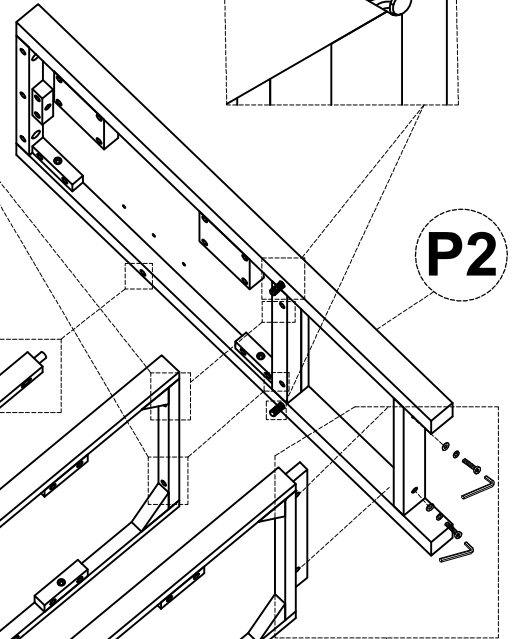
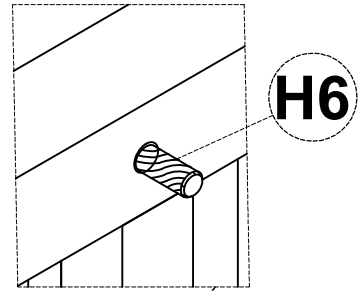
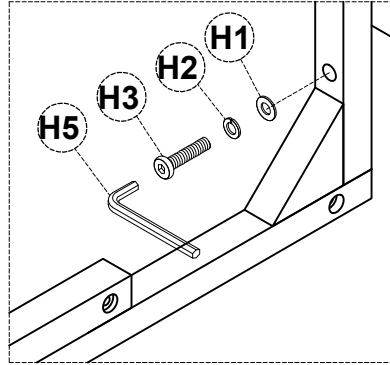
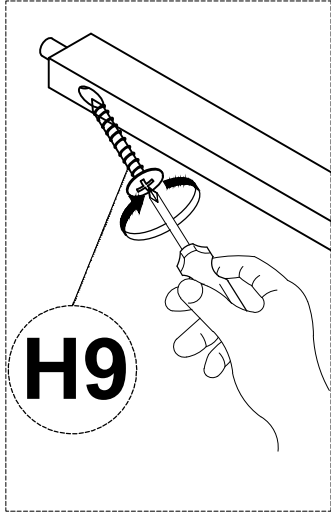
Wooden Pegs
H6 = 2

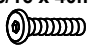
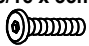




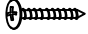
Allen Key
H5 = 1

ASSEMBLY INSTRUCTION

SIDEBORD

STEP 5

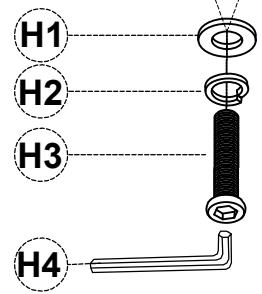
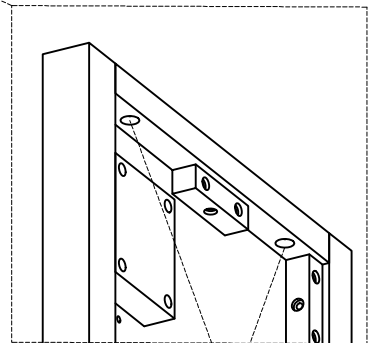
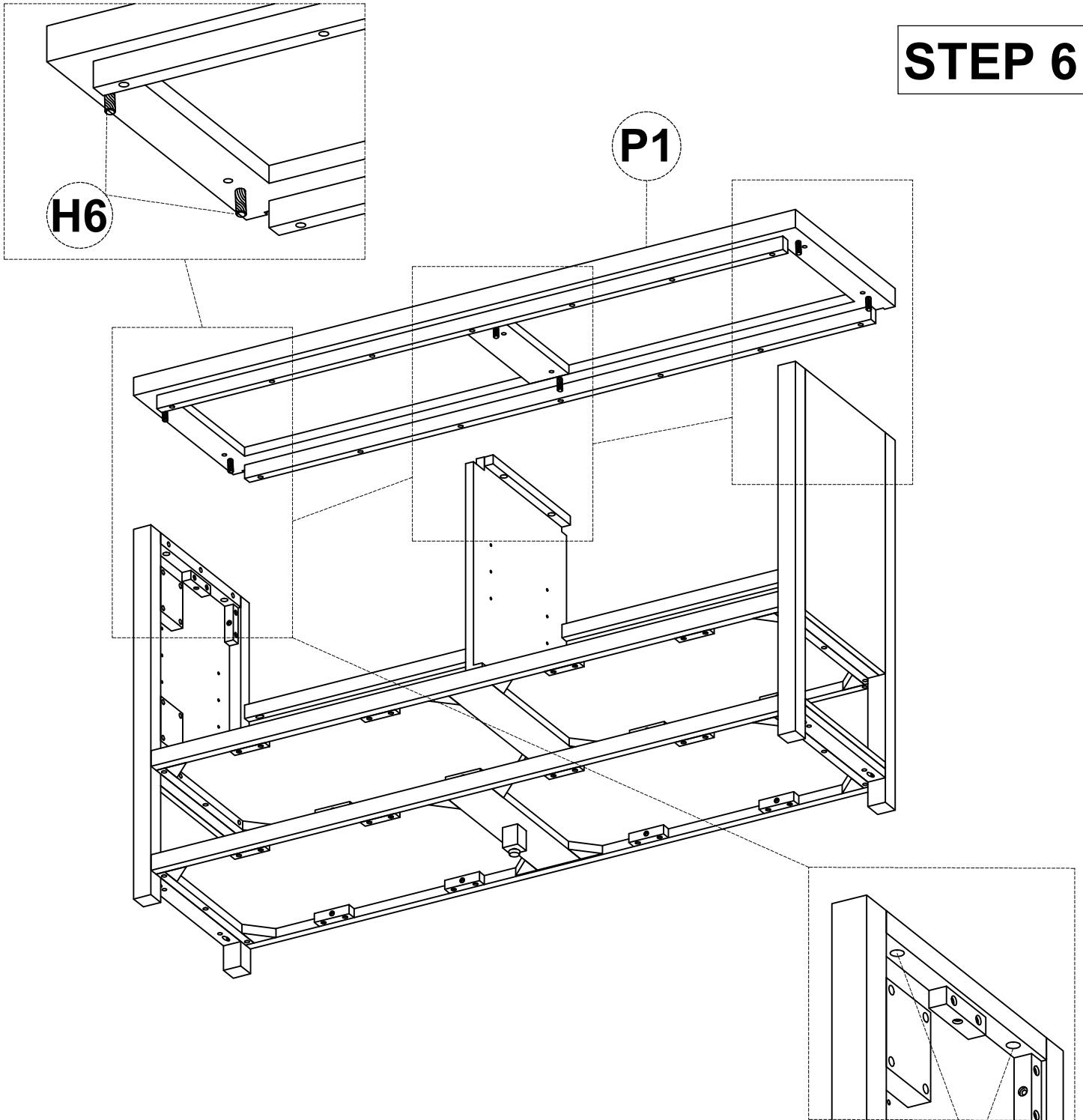







Bolts 5/16 x 40mm  H3 = 2	Bolts 5/16 x 35mm  H4 = 2	Spring Washer 5/16" x 13mm x 1.5mm  H2 = 4	Flat Washer 5/16** 16mm x 1.5mm  H1 = 4	Wooden Pegs  H6 = 2	Allen Key  H5 = 1	SCREW 4 x 40mm (Flat head screw)  H9 = 1
--	---	--	---	--	---	--

ASSEMBLY INSTRUCTION

SIDEBORD

STEP 6

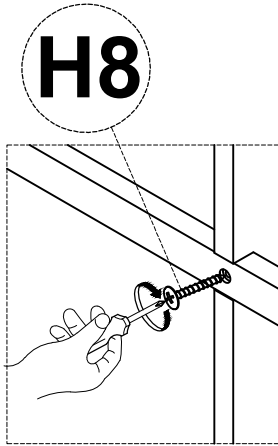


Bolts 5/16 x 40mm  H3 = 6	Spring Washer 5/16" x 13mm x 1.5mm  H2 = 6	Flat Washer 5/16"* 16mm x 1.5mm  H1 = 6	Wooden Pegs  H6 = 6	Allen Key  H5 = 1
--	--	---	--	--

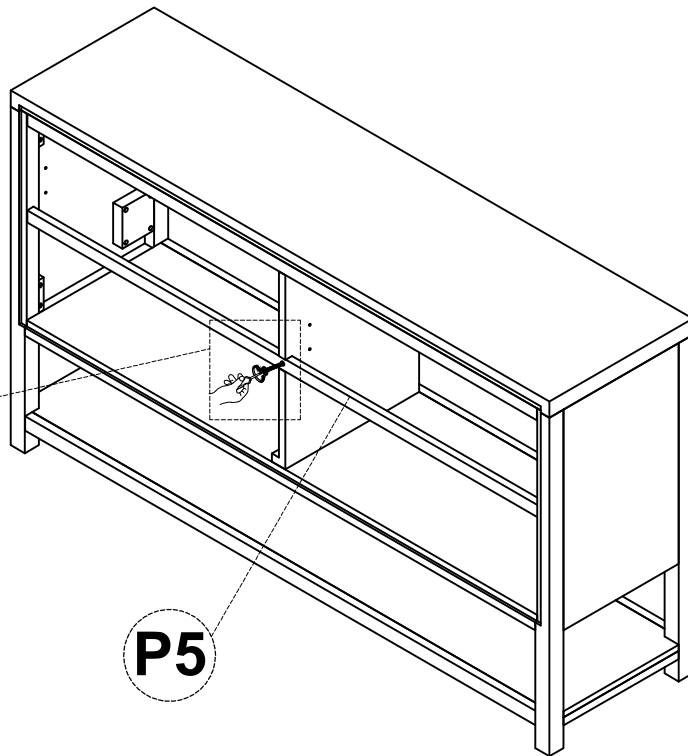
ASSEMBLY INSTRUCTION

SIDEBORD

STEP 7



H8



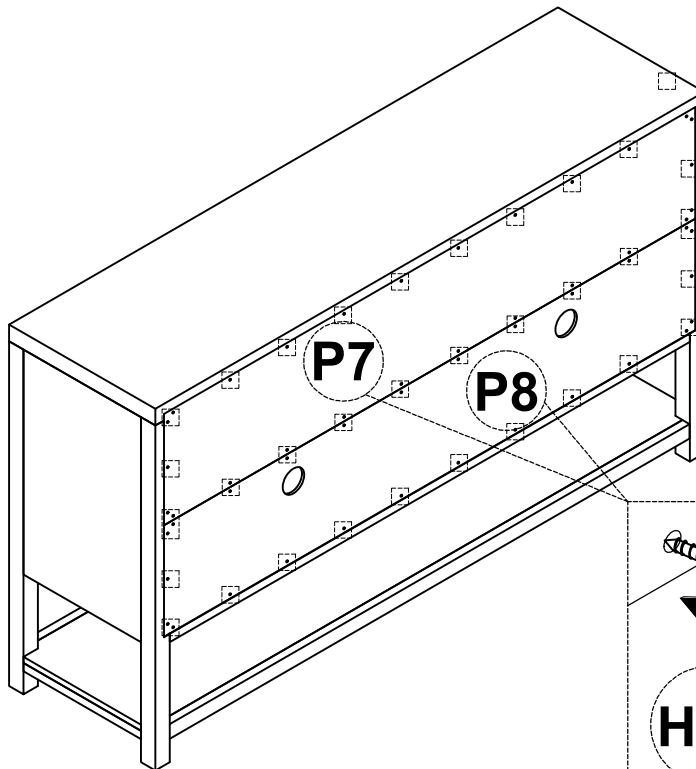
P5

SCREW 4 x 25mm
(Umbrella screw)



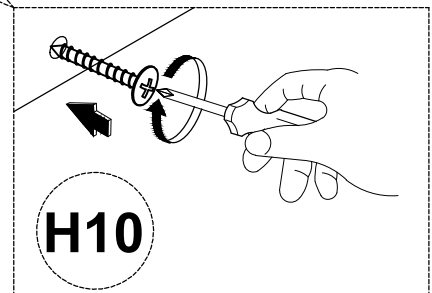
H8 = 1

STEP 8



P7

P8



H10

SCREW 4 x 15mm (Umbrella head screw)

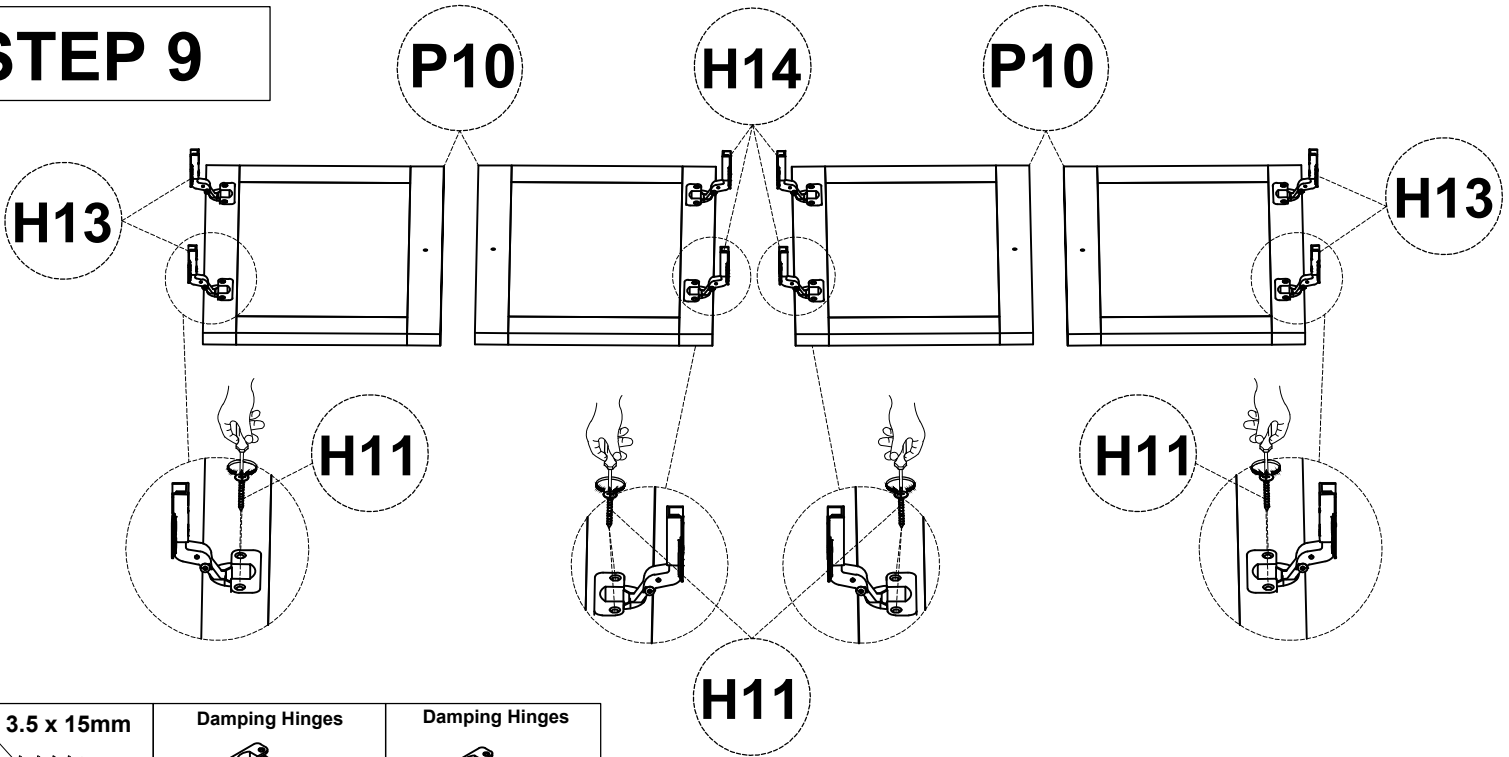


H10 = 52

ASSEMBLY INSTRUCTION

SIDEBOARD

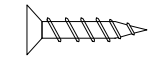
STEP 9



Ø 3.5 x 15mm

Damping Hinges

Damping Hinges

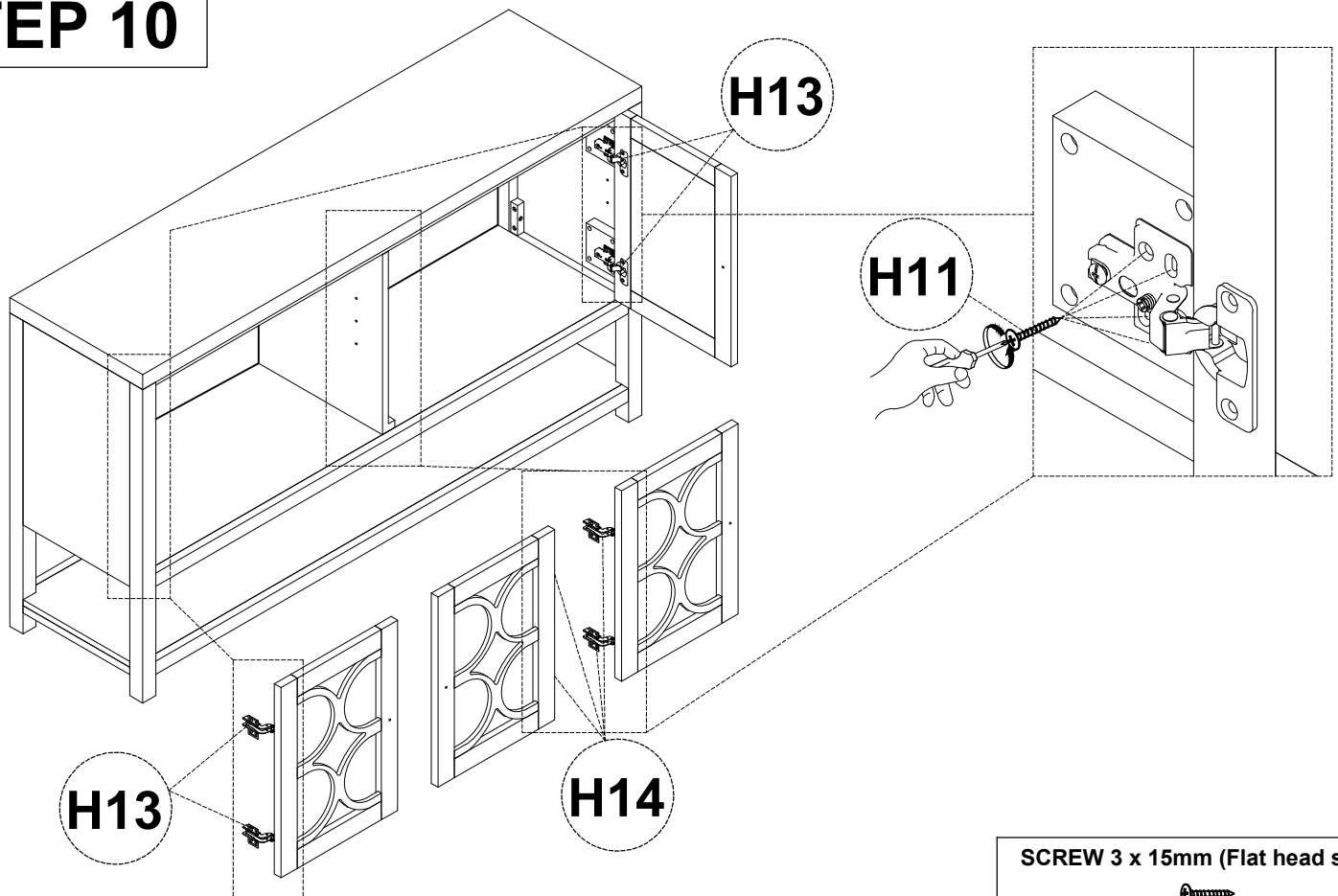


H11 = 16

H13 = 4

H14 = 4

STEP 10



SCREW 3 x 15mm (Flat head screw)

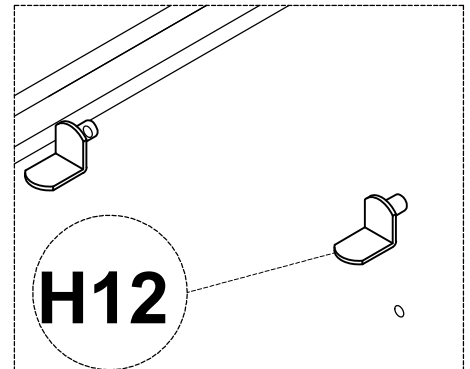
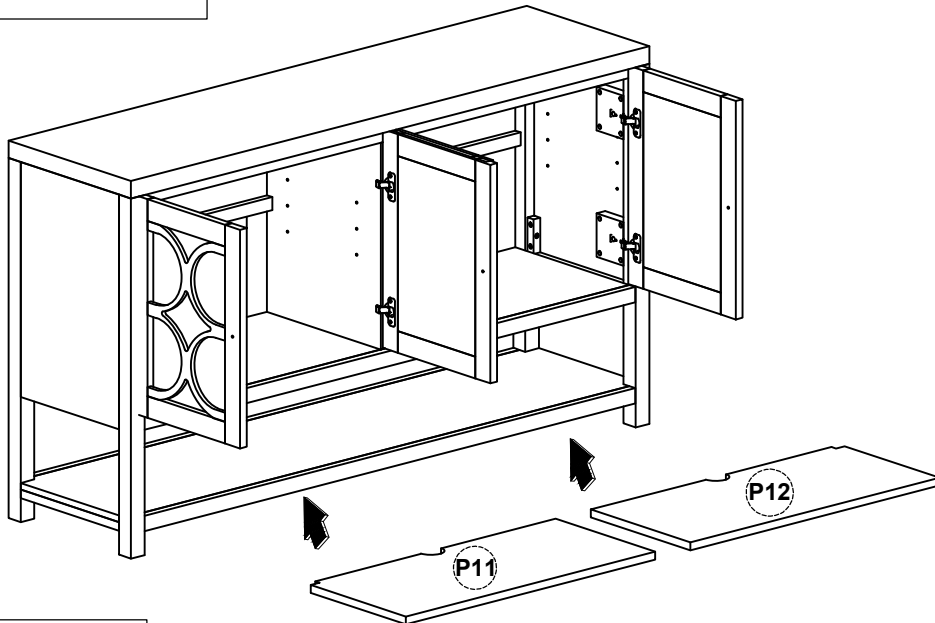


H11 x 32

ASSEMBLY INSTRUCTION

SIDEBOARD

STEP 11

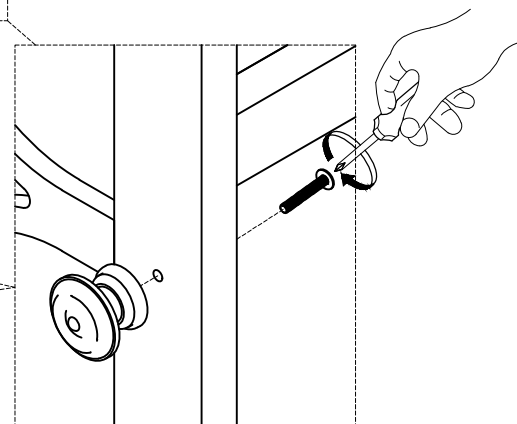
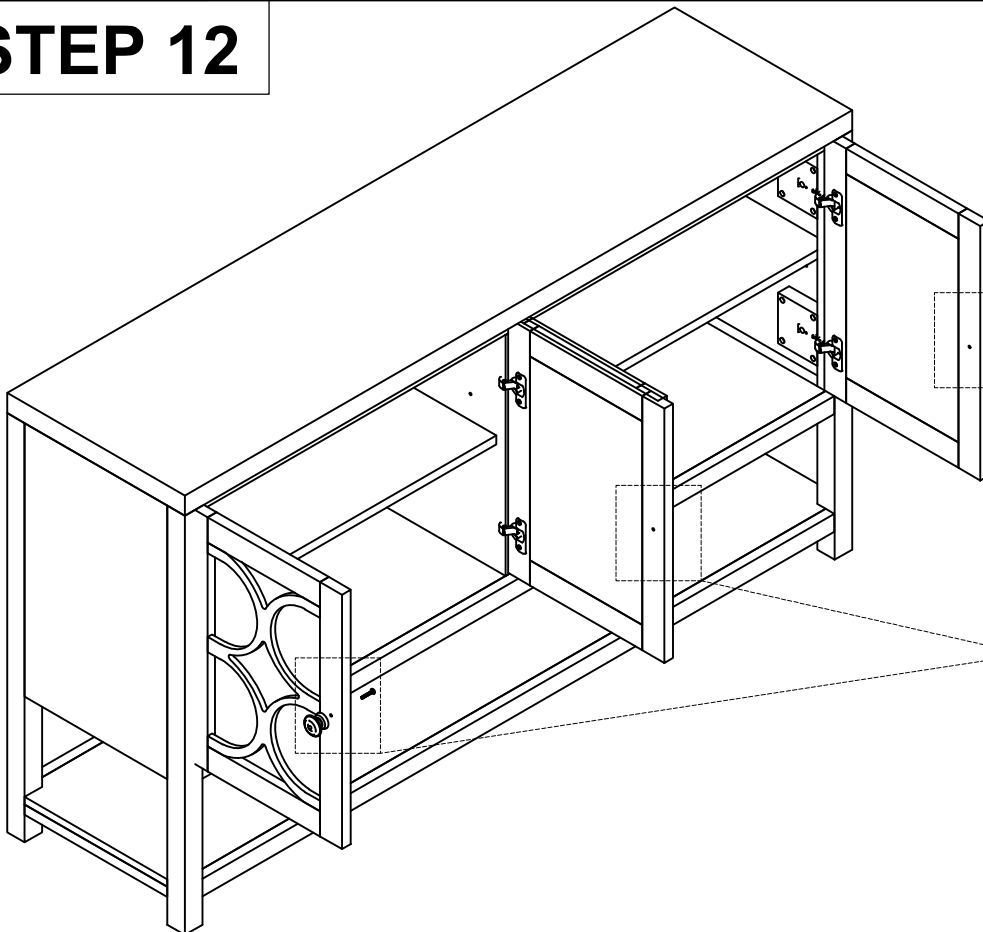


Shelf pin



H12 = 8

STEP 12



H7 A



Handle - 4pcs

H7 B

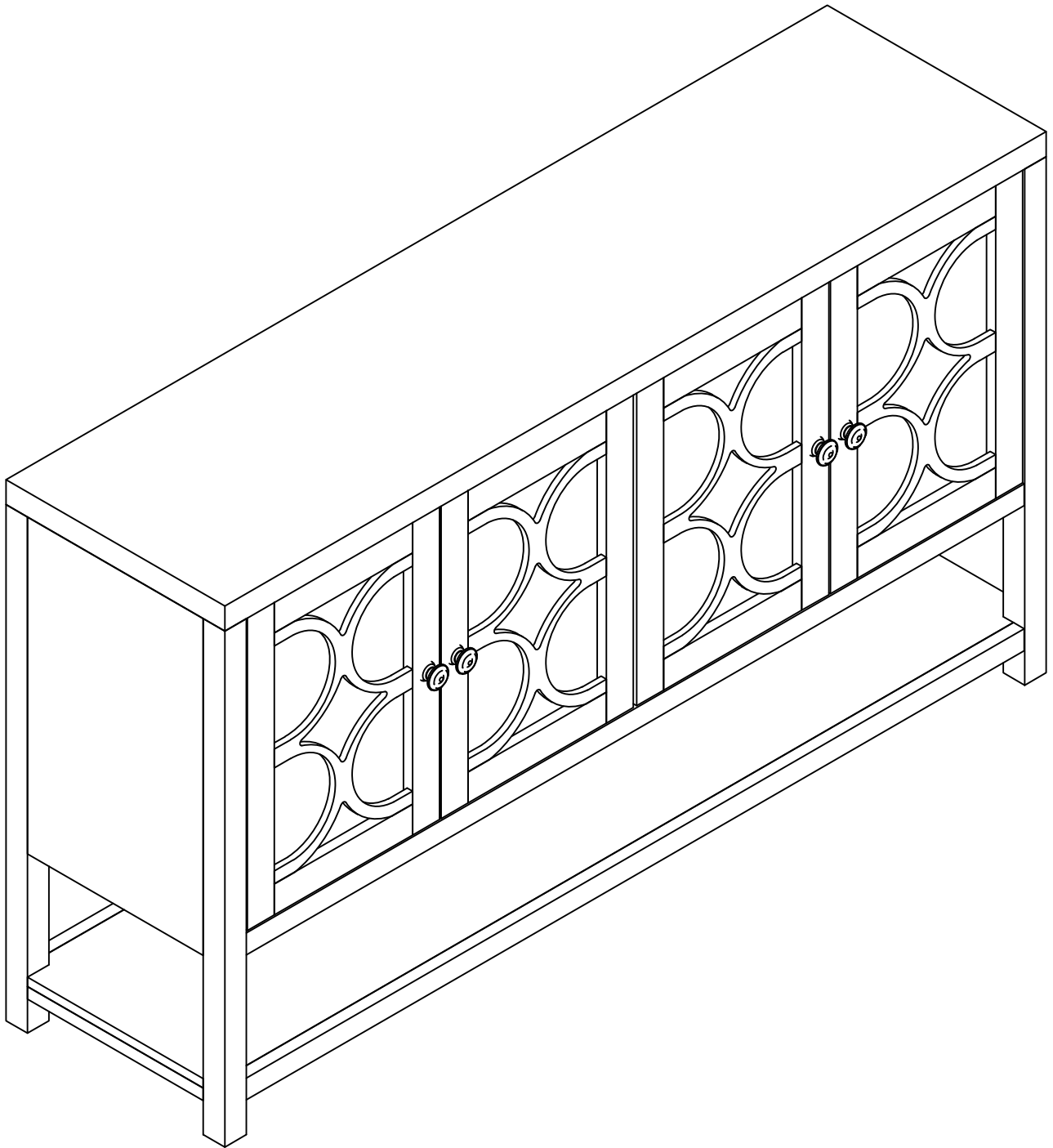


Bolts M4*30 (4pcs)

ASSEMBLY INSTRUCTION

SIDEBOARD

STEP 13



Assembly is Complete

ASSEMBLY INSTRUCTION

ITEM NOTE : N715P175514/N715P175524

SIDEBOARD

Anti Tipping Hardware



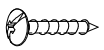
H15
x2



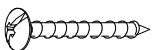
H16
x2



H17
x4



H18
M4x20mm
x2



H19
M4 x 40mm
x2

