

Shower Door
1/4" glass (6mm)

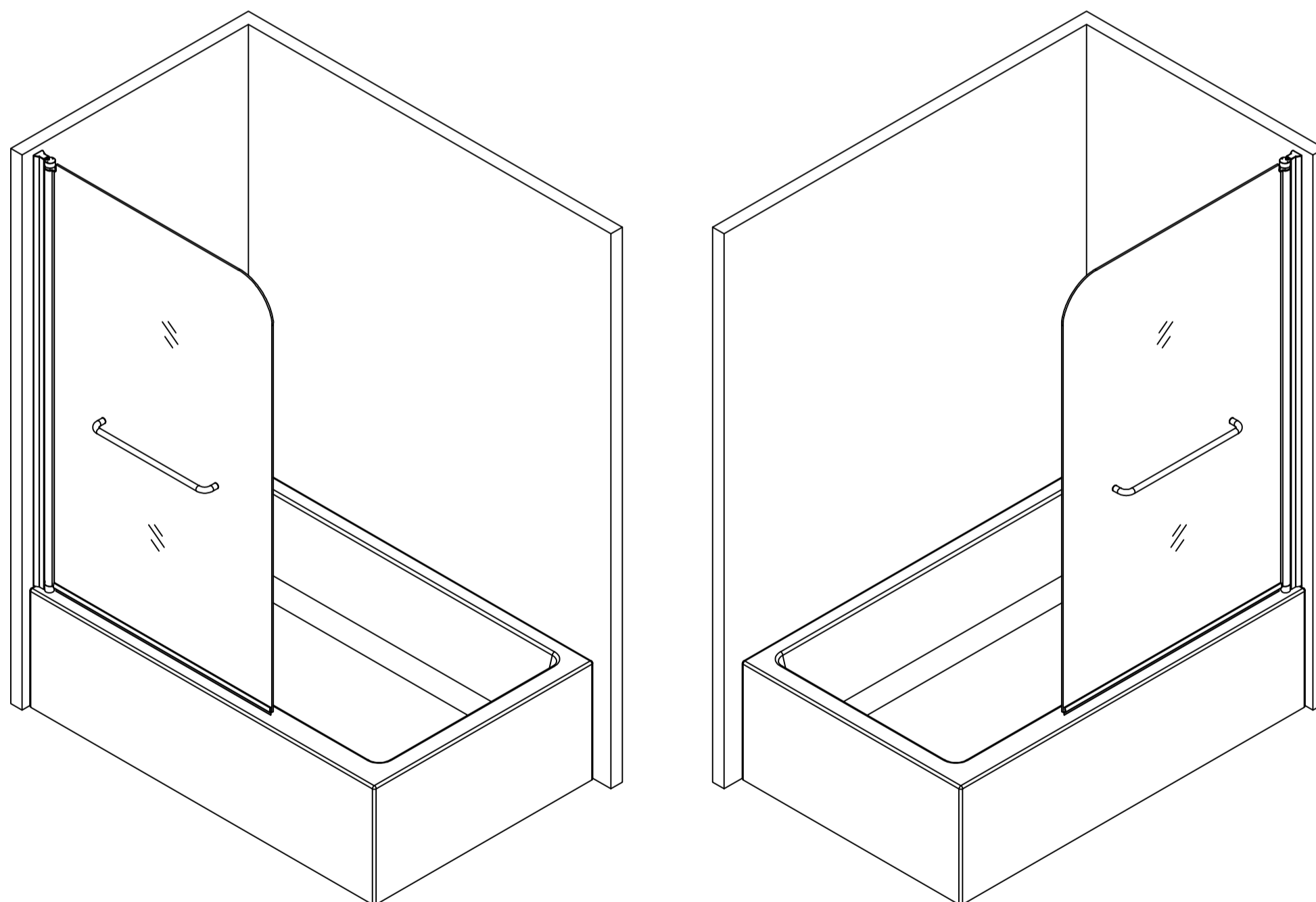
INSTALLATION GUIDE

CAUTION: To reduce the risk of breakage, keep corner protectors on glass while installing. Keep corner protectors for use in case future adjustments are needed. Consult your local plumbing codes prior to installation.

Recommended Clearance Heights for Installation:
58 inches (147.3 cm)

Recommended Width for Installation:
34-inch enclosure:
34 - 34 3/8 inches (86.4 - 87.4 cm)

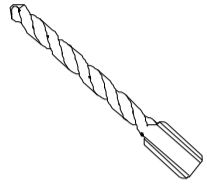
MODEL:
1033458MB06CT
1033458CH06CT



Reversible For a Left or Right Door

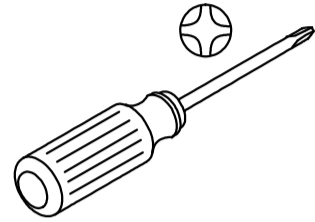
TOOLS REQUIRED

Drill Bits

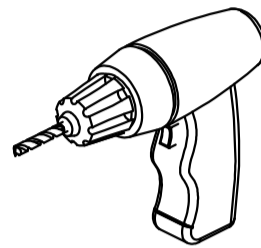


Ø1/4" (6mm) & Ø1/8" (3mm) dia.
HSS

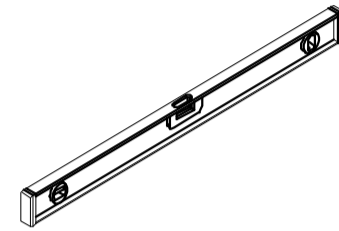
Screw Driver



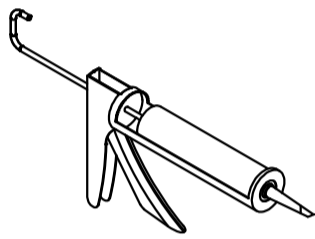
Drill



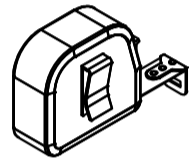
Level



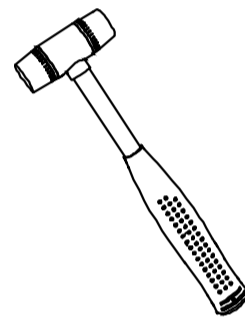
Silicone



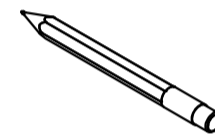
Measuring Tape



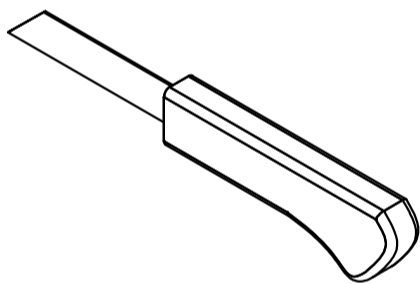
Soft Head Hammer



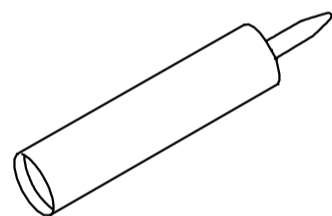
Pencil



Knife



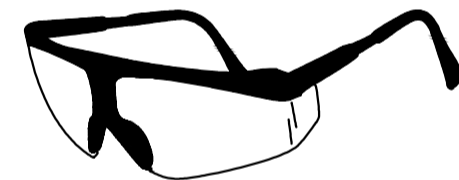
Sealant



MASONRY DRILL BIT FOR TILE Ø6mm



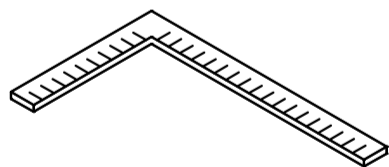
Safety Glasses



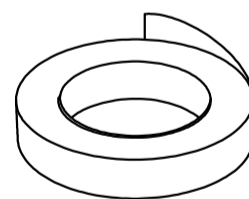
Glove



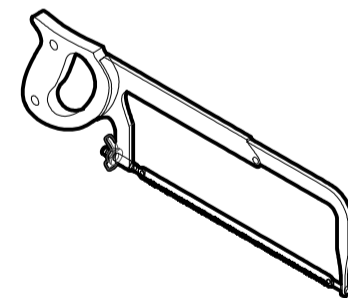
Carpenter's Squarer



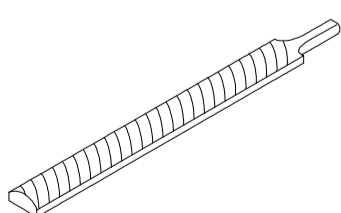
Masking or painter's tape



Hack Saw



Metal File



CAUTION: When cutting or drilling metal components or when handling glass, to reduce the risk of personal injury, protective eye wear, gloves, and closed-toe shoes are required.

SAFETY INFORMATION

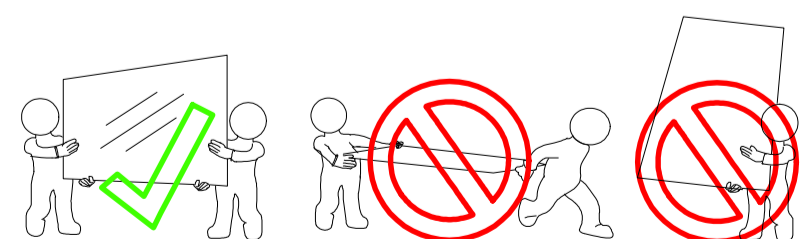
CAUTION

Please carefully read the following important safety information before handling or installing this shower. There is a risk of serious injury while handling this product.

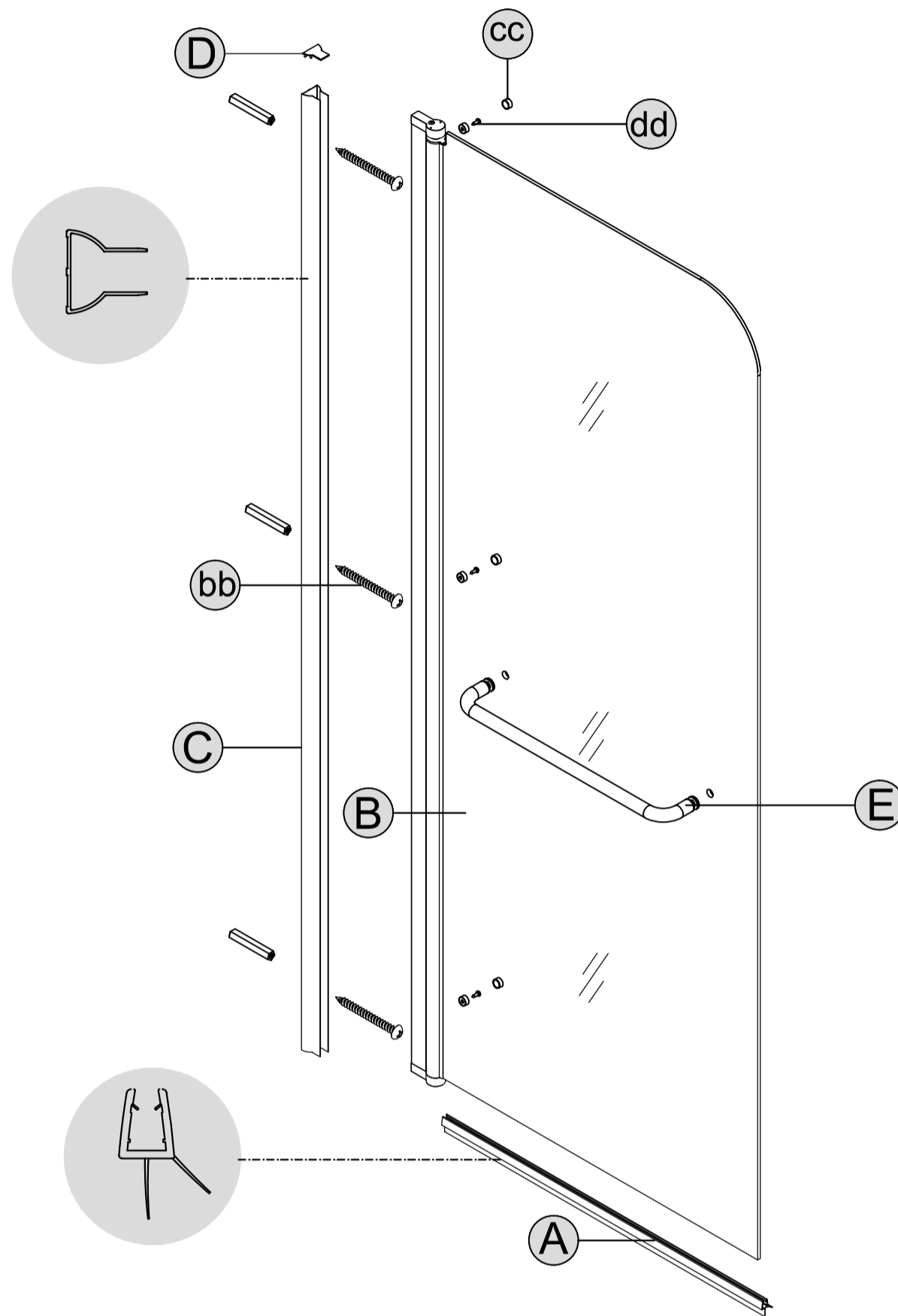
To minimize these risks, please note:

- Always wear safety glasses and gloves while handling.
- Always follow the installation instructions.
- Inspect glass for damage before installation.
- Extreme caution should be taken while handling the glass during installation as the tempered glass may shatter if in contact with a hard surface.
- Do not cut or modify the tempered glass as it will shatter if cut.
- Carefully remove product from packaging and keep packaging until installation is complete.
- Inspect all parts for damage or missing; if there is damage or part missing to the unit prior to installation, please contact customer service at the number provided in this guide.
- Cover the drain with tape to prevent the loss of small parts.
- The shower base and finished walls should be installed before beginning the shower door installation.
- During the installation, protect the shower floor with a drop cloth to avoid damage.
- This product should be installed by two people who are familiar with construction requirements. Professional installation is recommended!
- Keep this installation manual for future reference.

NOTE: Two people should perform this installation.



DOOR ASSEMBLY



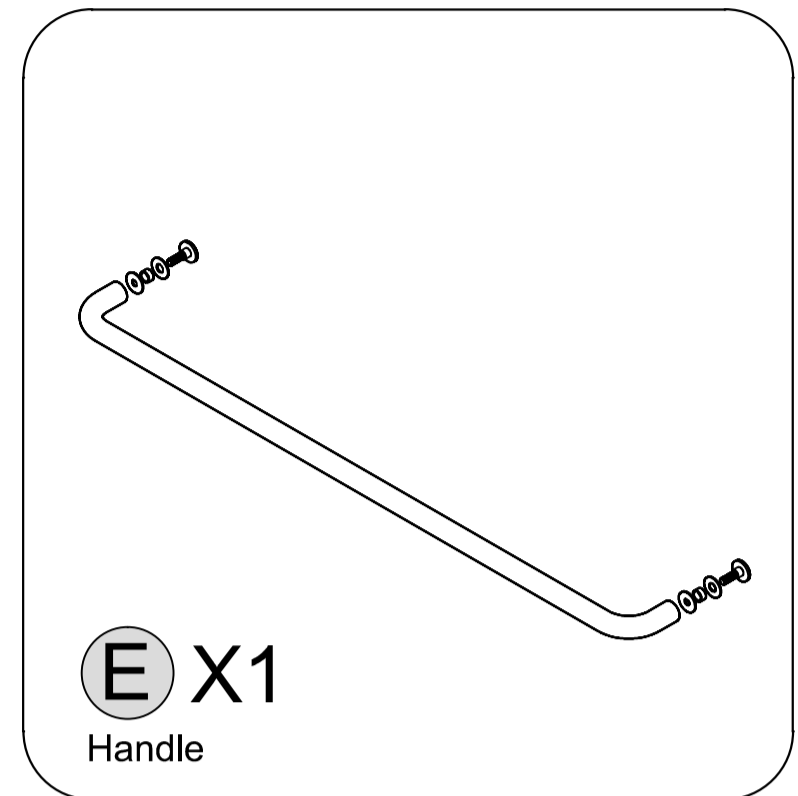
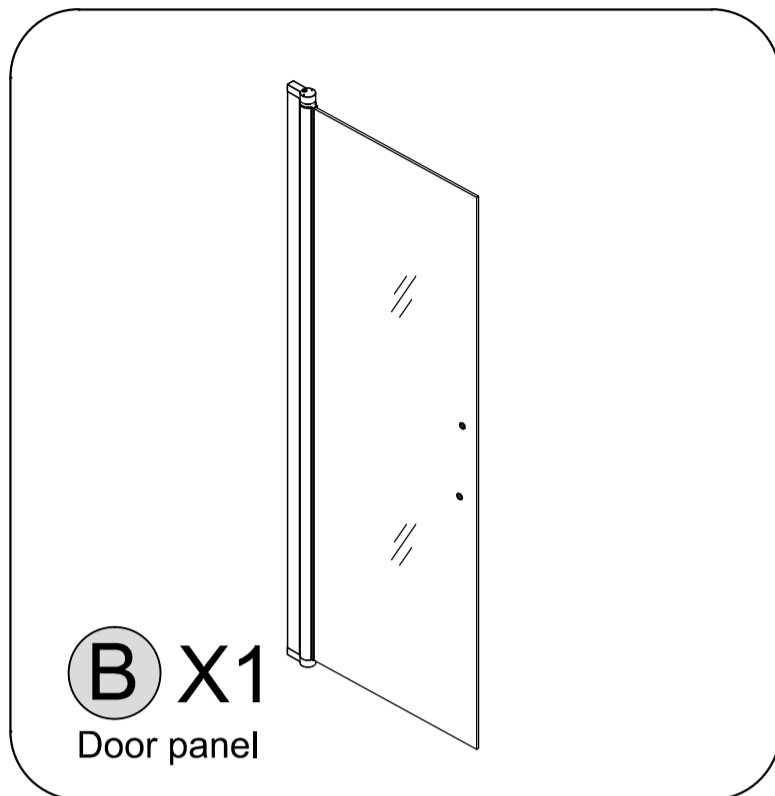
CARTON PARTS IDENTIFICATION

See following pages for detailed component diagrams

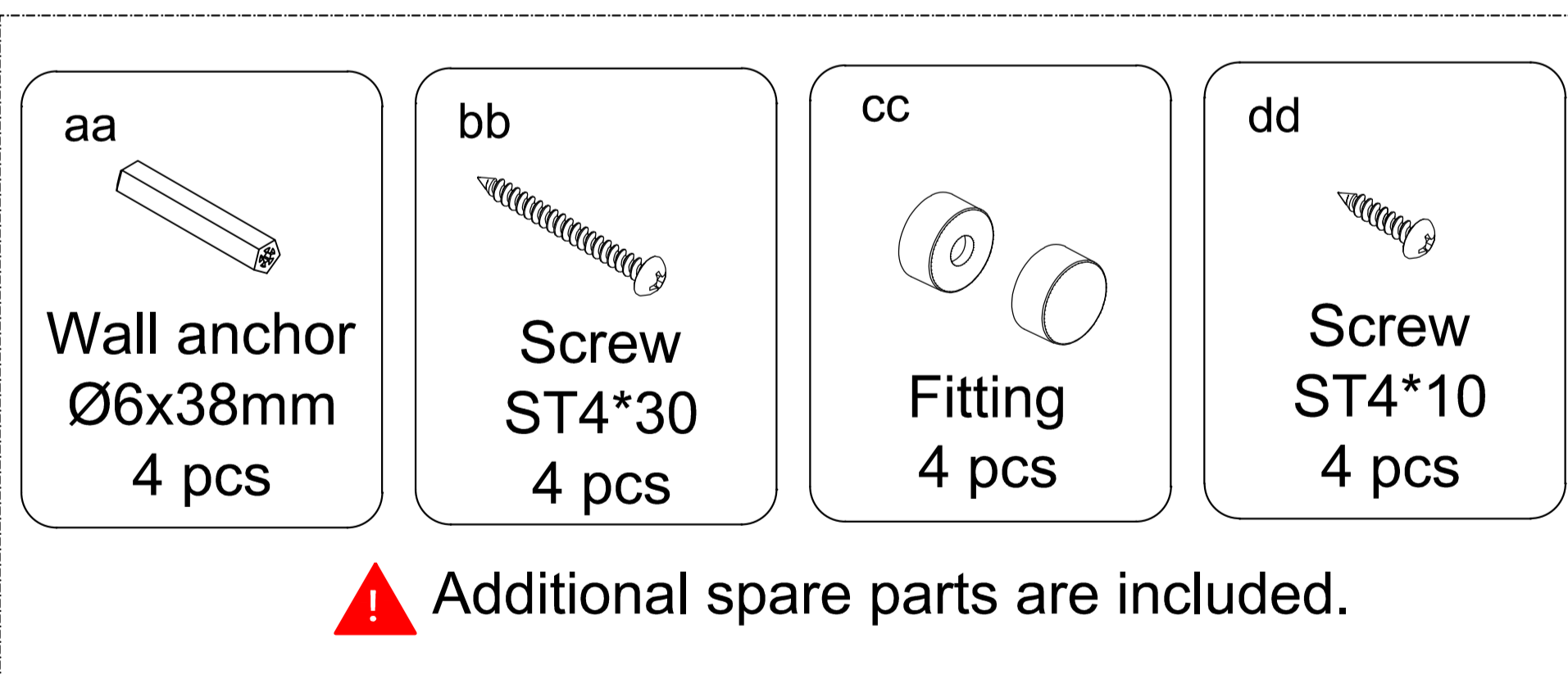
PART#	DESCRIPTION	QTY
A	Bottom Anti-Water Strip	1
B	Door panel	1
C	Wall Jamb	1
D	Top Cover Cap	1
E	Handle	1

CARTON PARTS IDENTIFICATION

See following pages for detailed component diagrams



HARDWARE CONTENT



**NOTE: Inspect all parts for missing prior to installation!
Contact us for any part missing.**



CAUTION: To avoid personal injury or property damage, identify components and read all instructions before installing.

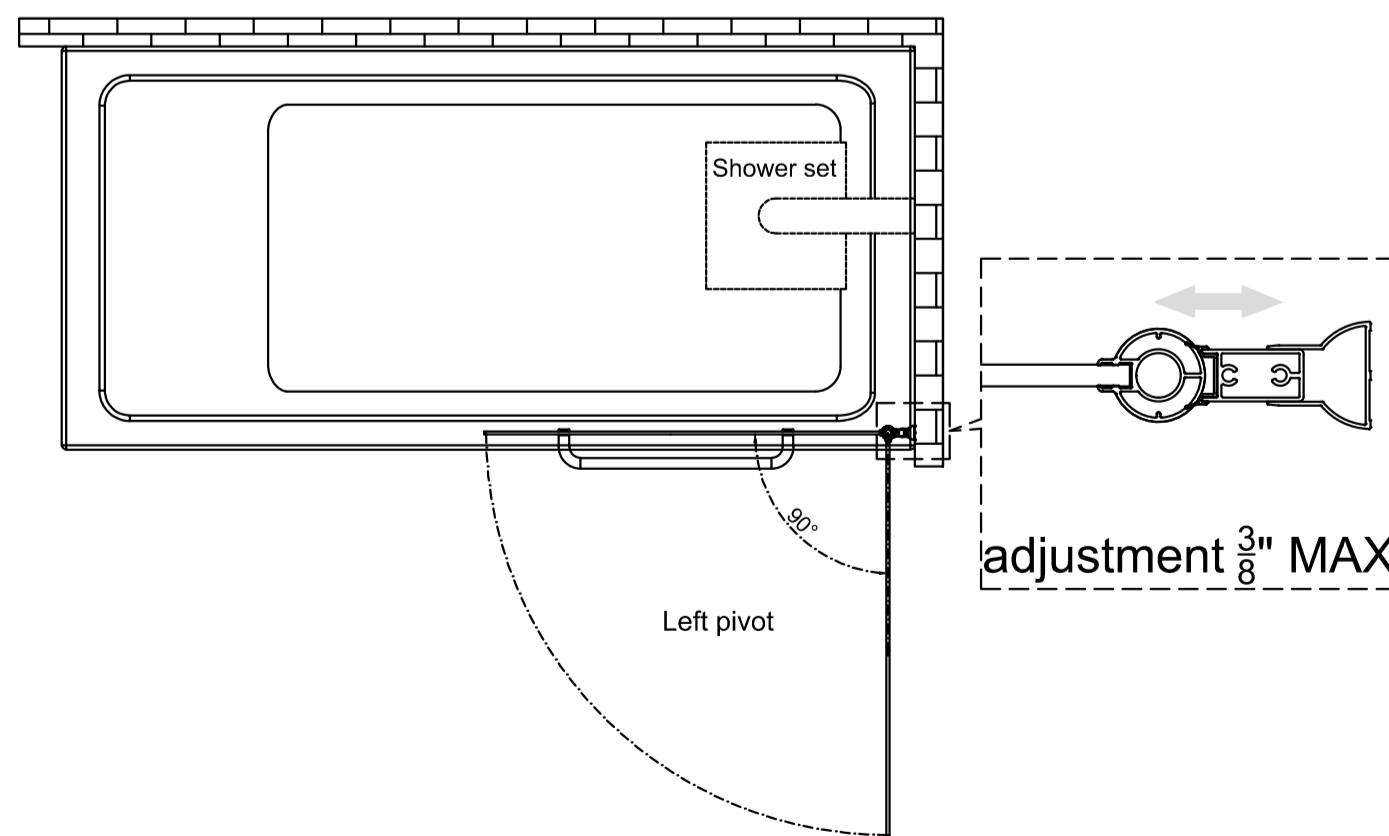
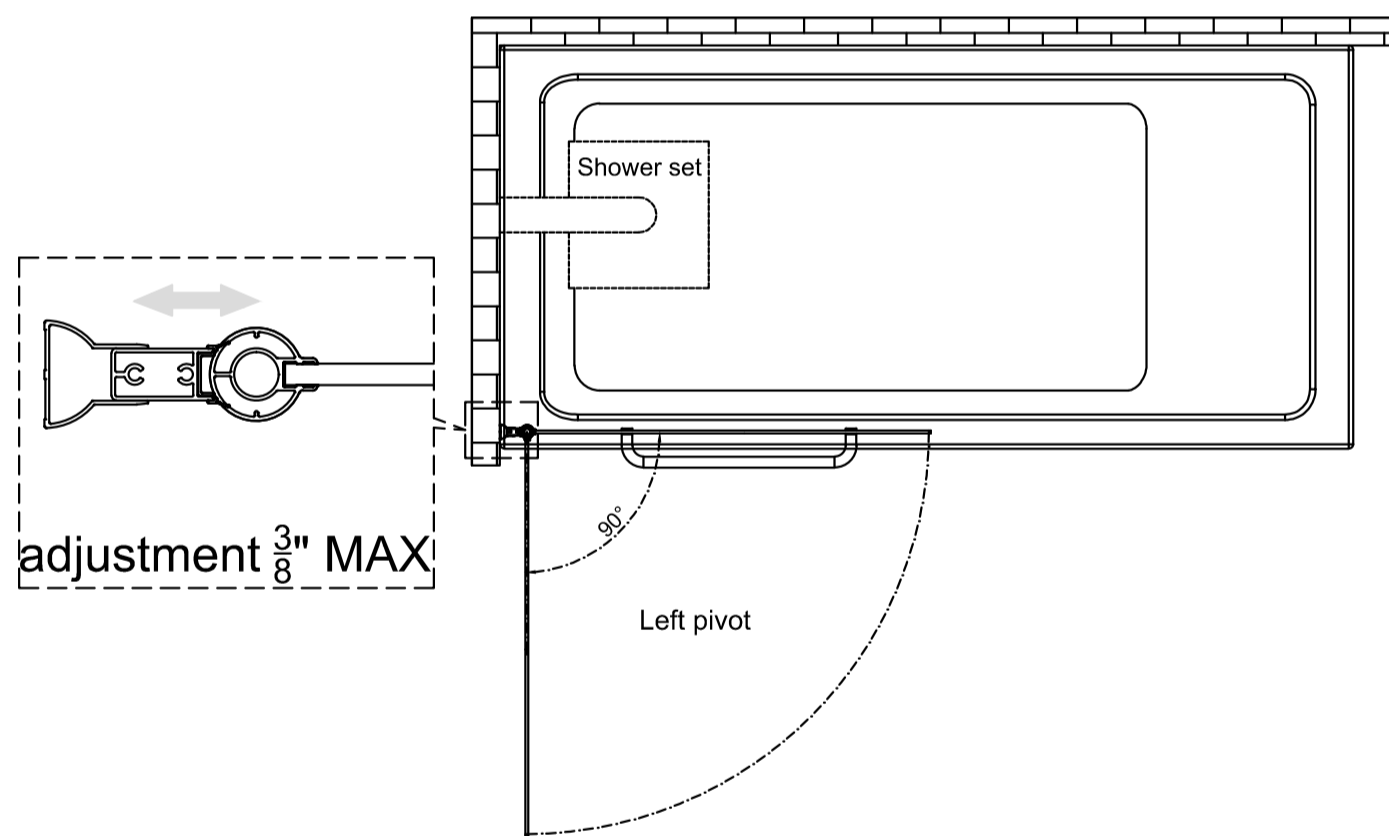
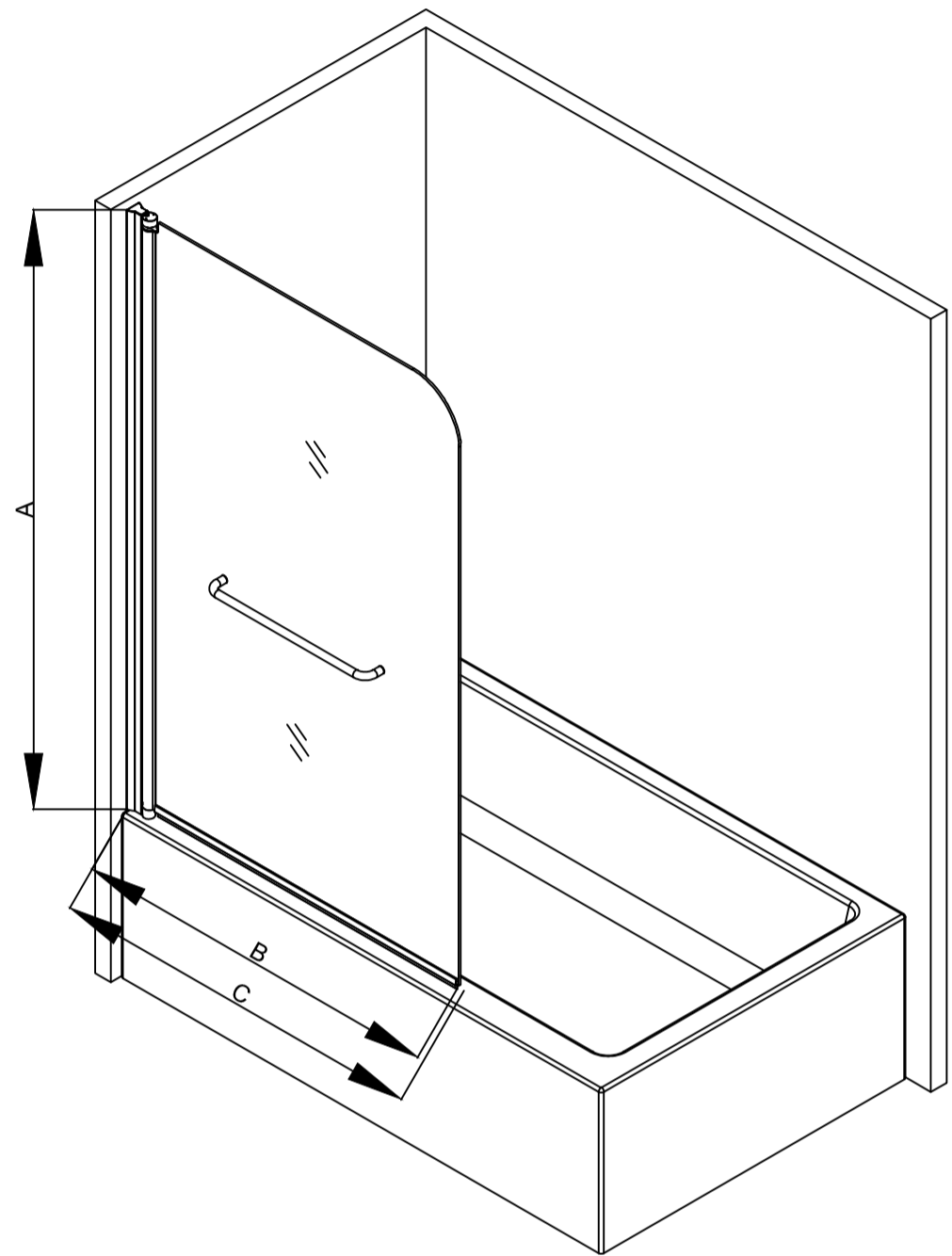
This Door can be installed to open from either side of your enclosure depending on showerhead/control valve location.

The Glass Door should be installed on the same side as showerhead/control valve for optimal water retention.

NOTE: This model is reversible for right or left-hand door installation. The left-hand door installation is shown throughout this manual. For the right-hand door installation, simply begin on the opposite wall and reverse the orientation of the installation steps shown.

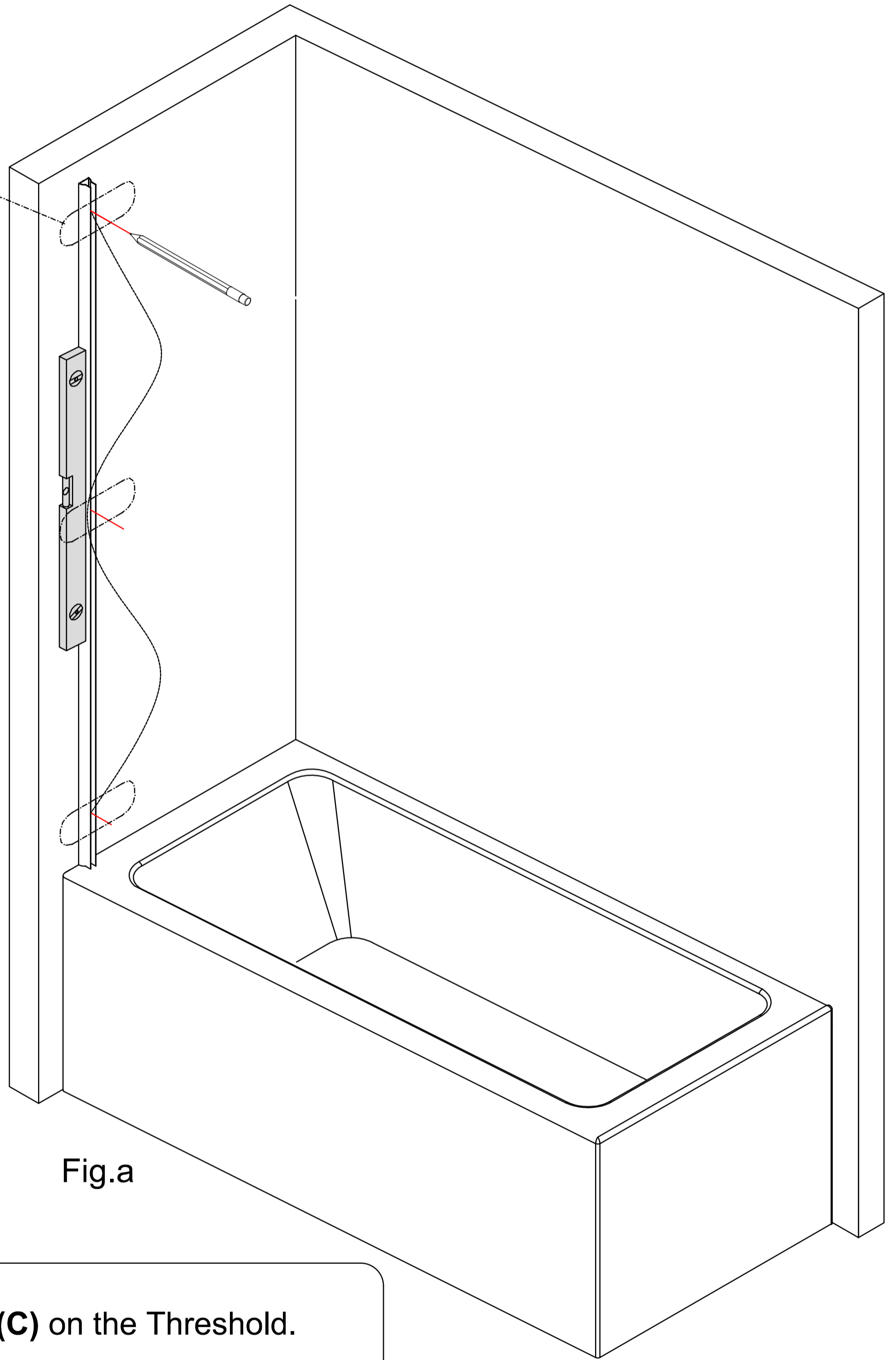
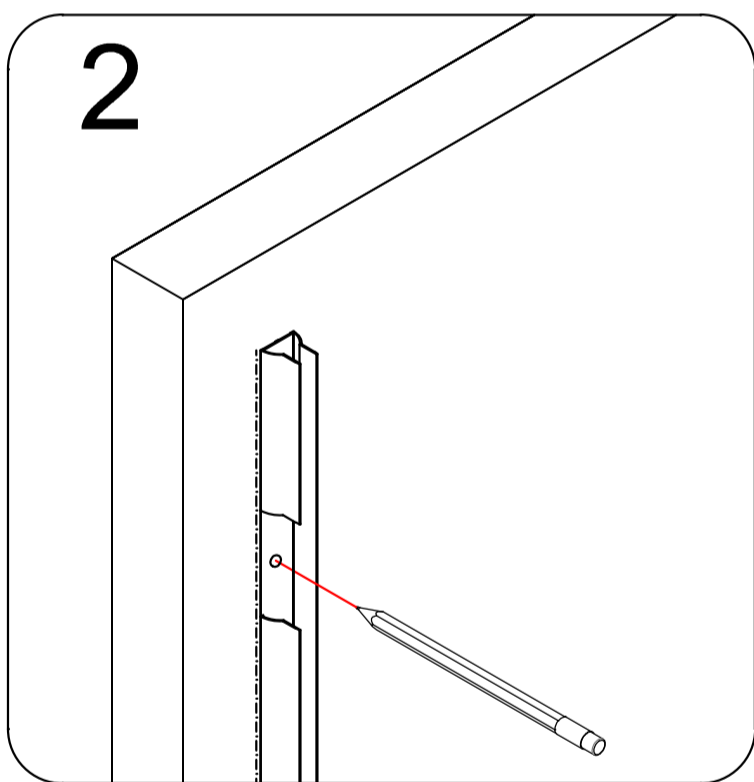
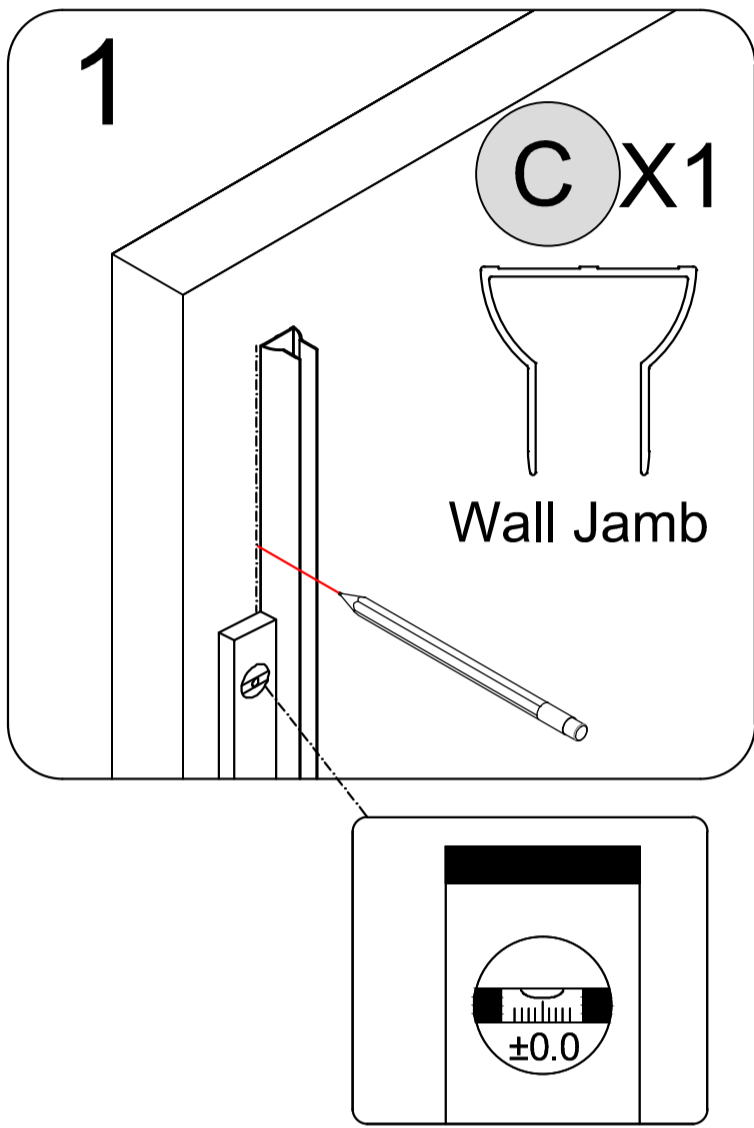
configuration dimensions:

A Product Height	B Model width	C Installation width
58"	34"	34" ~34 3/8"



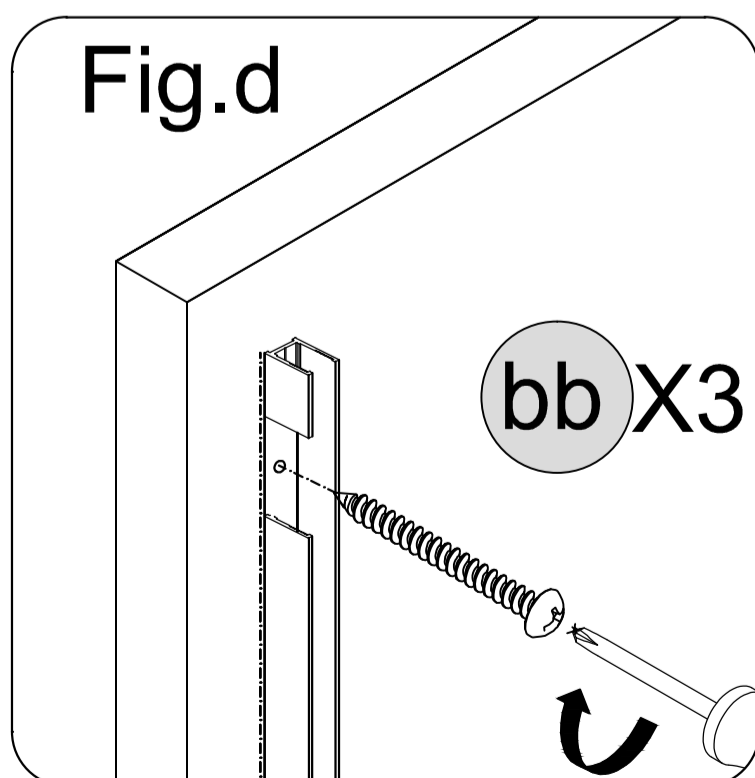
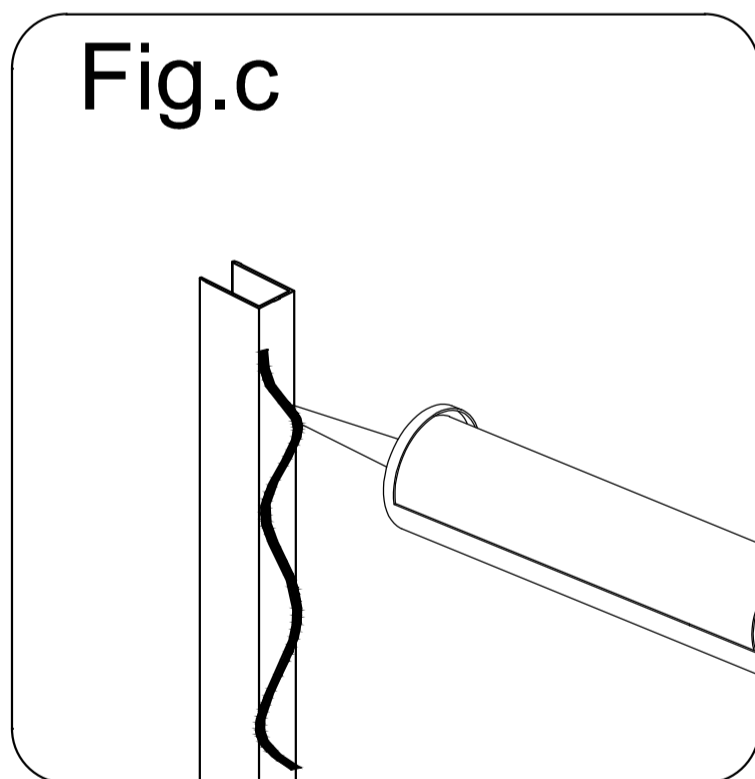
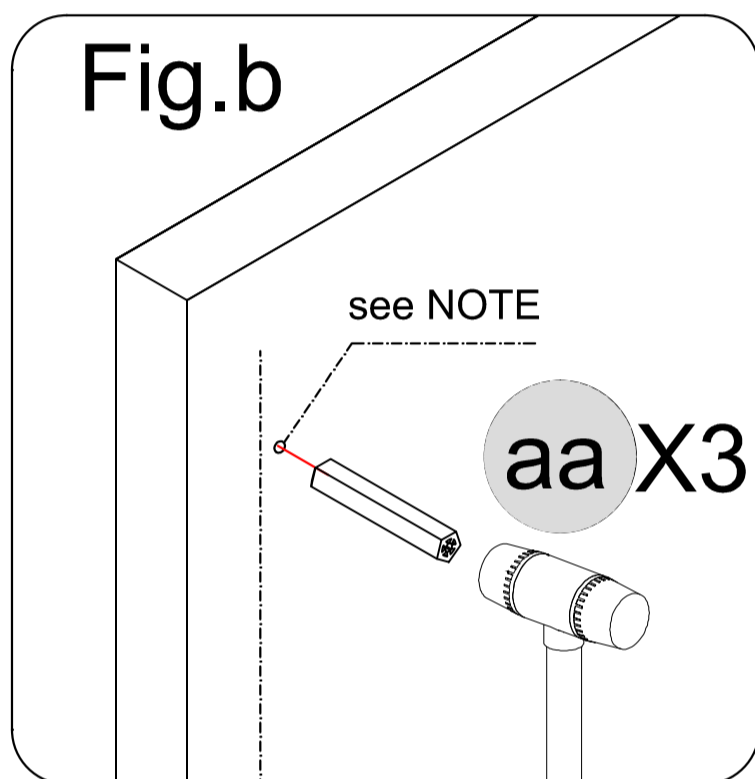
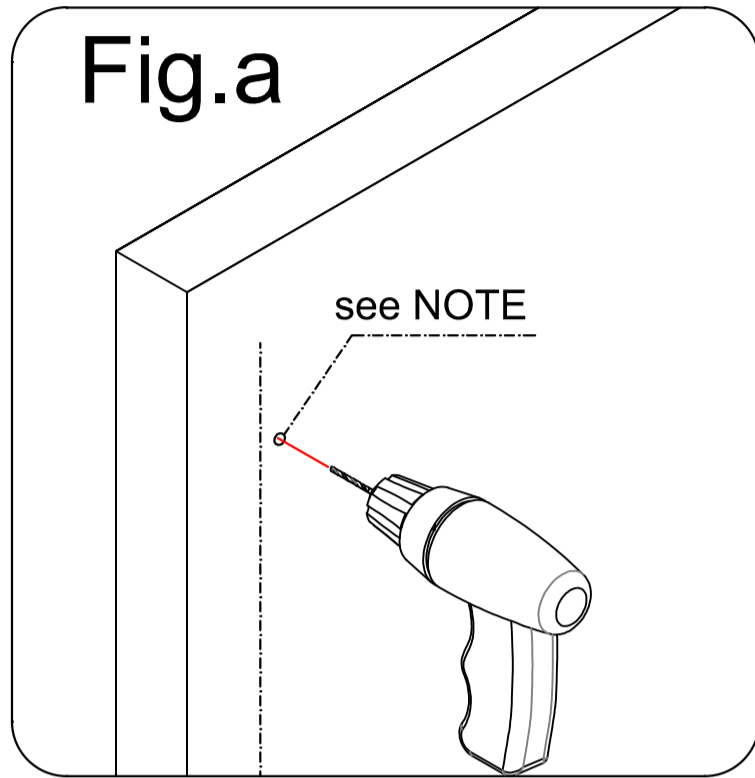
1-1 Wall Jamb(C) Installation

NOTE Confirm the **Wall Jamb(C)** is plumb with a level before marking the location of the holes for drilling.



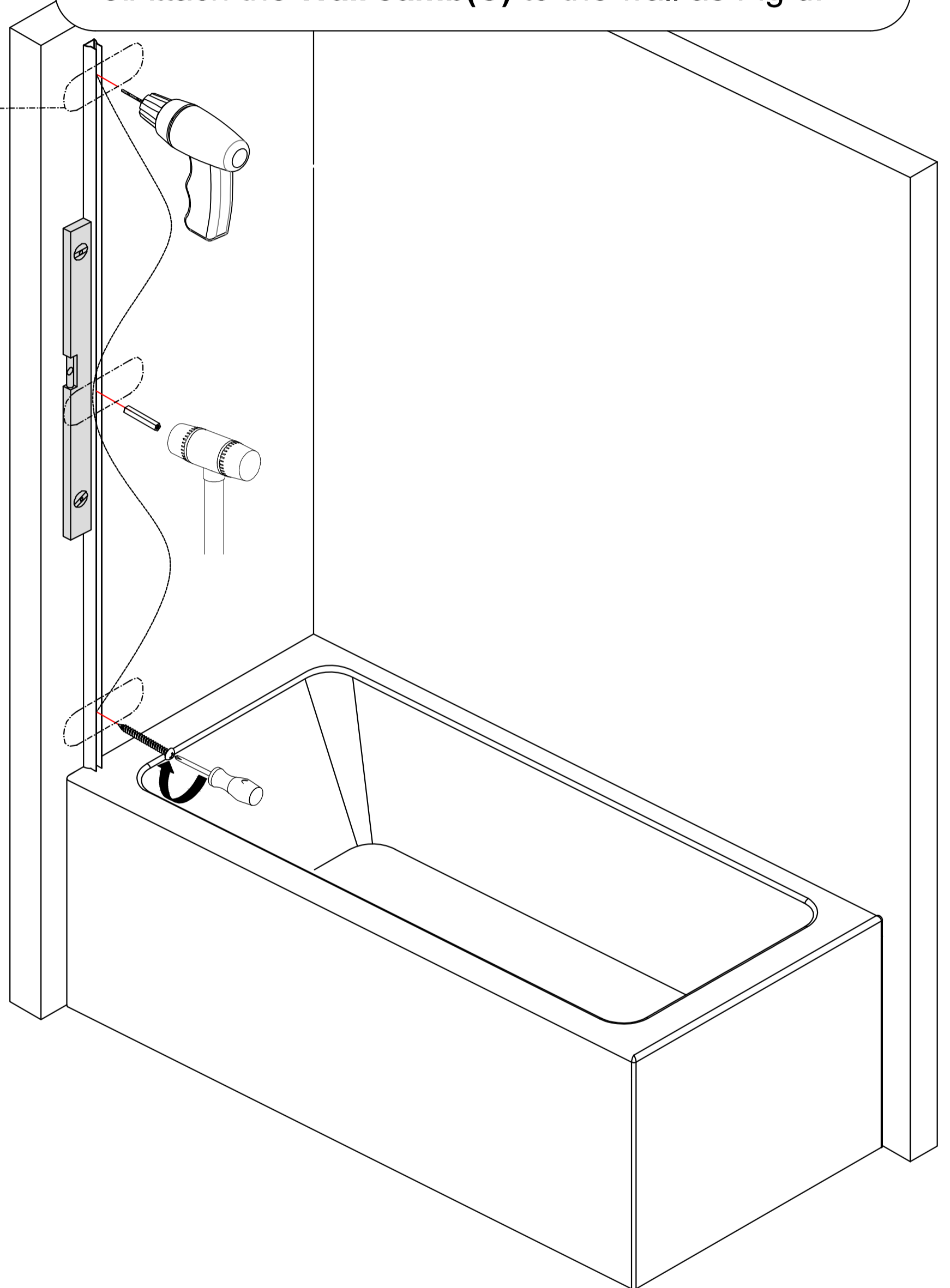
NOTE Center the **Wall jamb (C)** on the Threshold.

1-2 Wall Jamb(C) Installation



NOTE

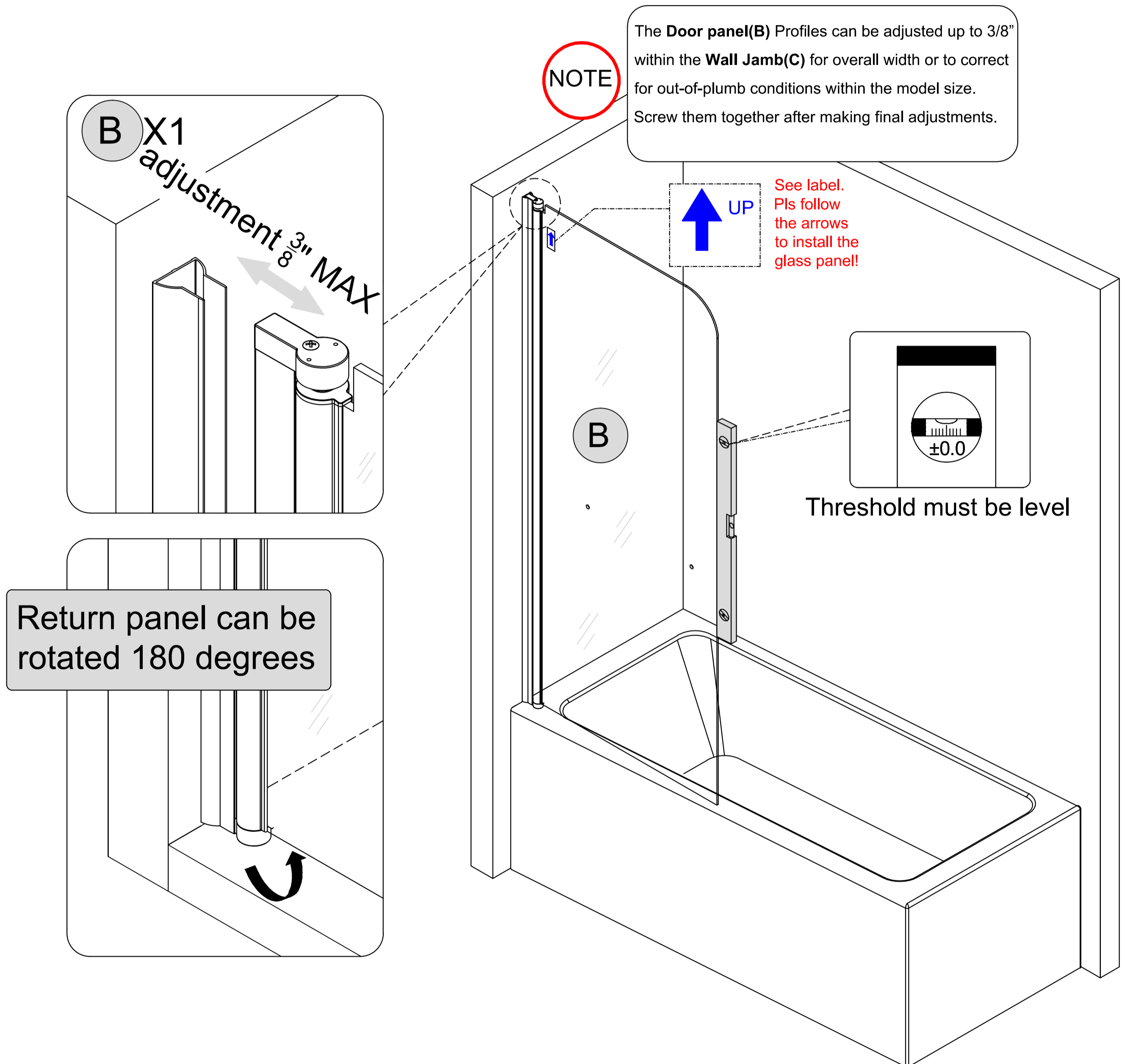
1. Drill the holes as Fig.a and Fig.b;
2. Apply silicone into the groove along the entire length of the **Wall Jamb(C)** as Fig c;
3. Attach the **Wall Jamb(C)** to the wall as Fig d.



NOTE

- If a Stud is presented behind the wall: drill a $\text{Ø}1/8''$ (3mm) pilot hole into the stud and use the ST4.0 x 30mm **Pan Head Screws (bb)** OR
- If No Stud is presented behind the wall: drill a $\text{Ø}1/4''$ (6mm) hole and insert the **Wall Anchors (aa)** and use the ST4.0 x 30mm **Pan Head Screws (bb)**.

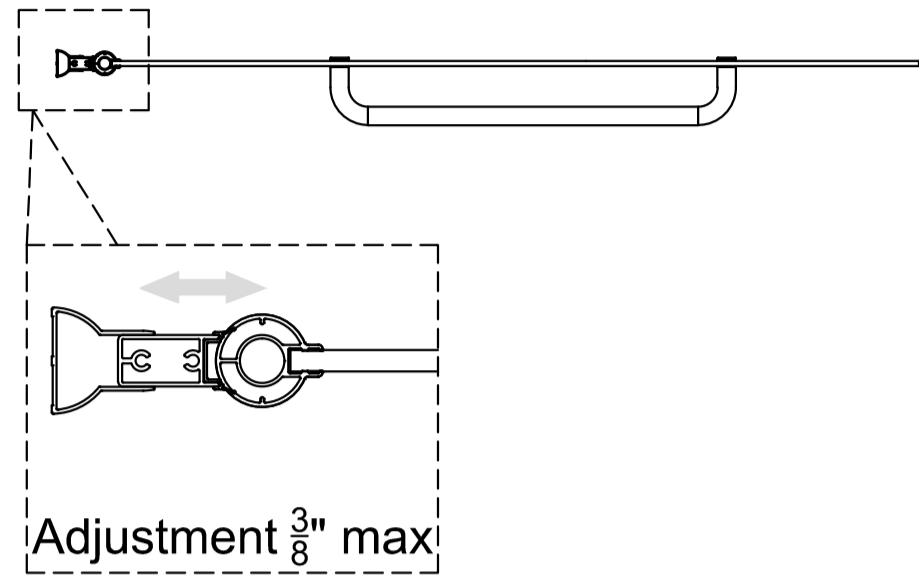
2 Door panel(B) Installation



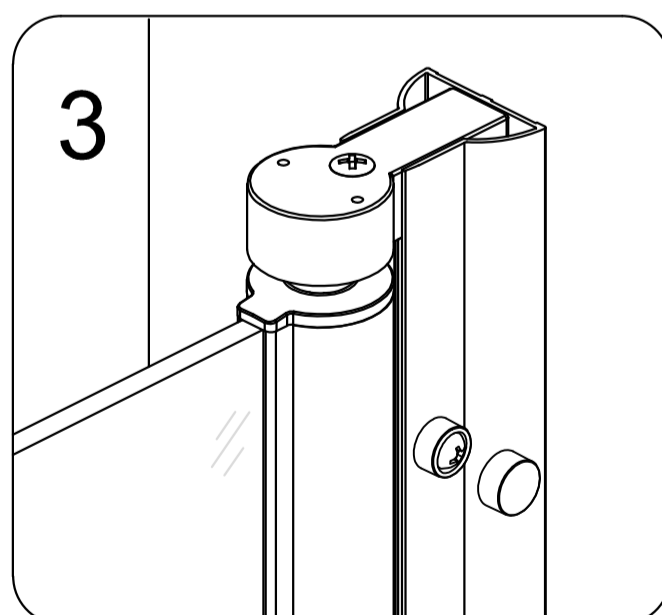
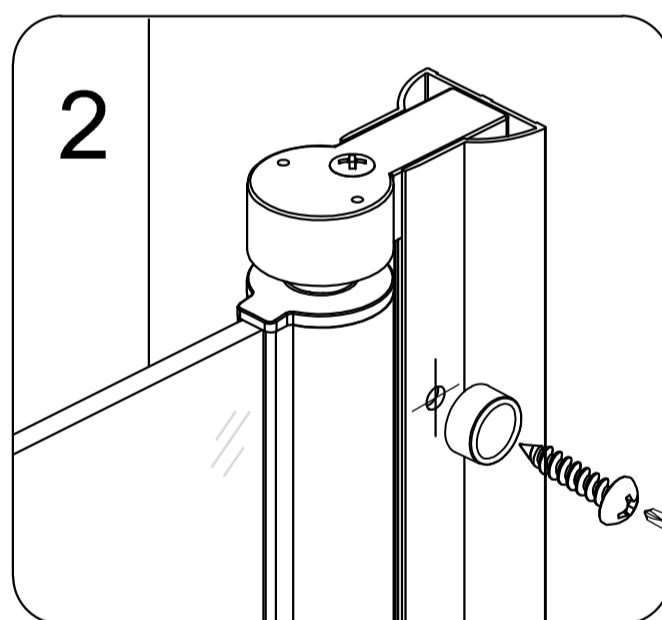
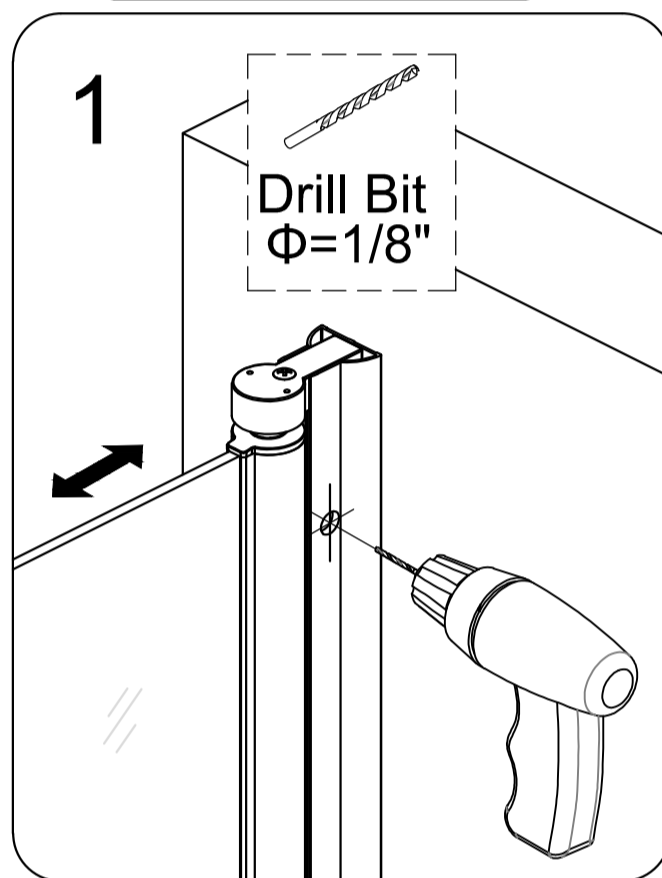
3 Fasten the Door panel(B)

NOTE

After final adjustments, drill $\text{\O}1/8''$ holes in the **Wall Jamb (C)**.
Drill only through the first layer of the Door panel Profile and install the **ST4.0x10mm Pan Head Screws (dd)** using the **Decorative Covers and Washers (cc)**

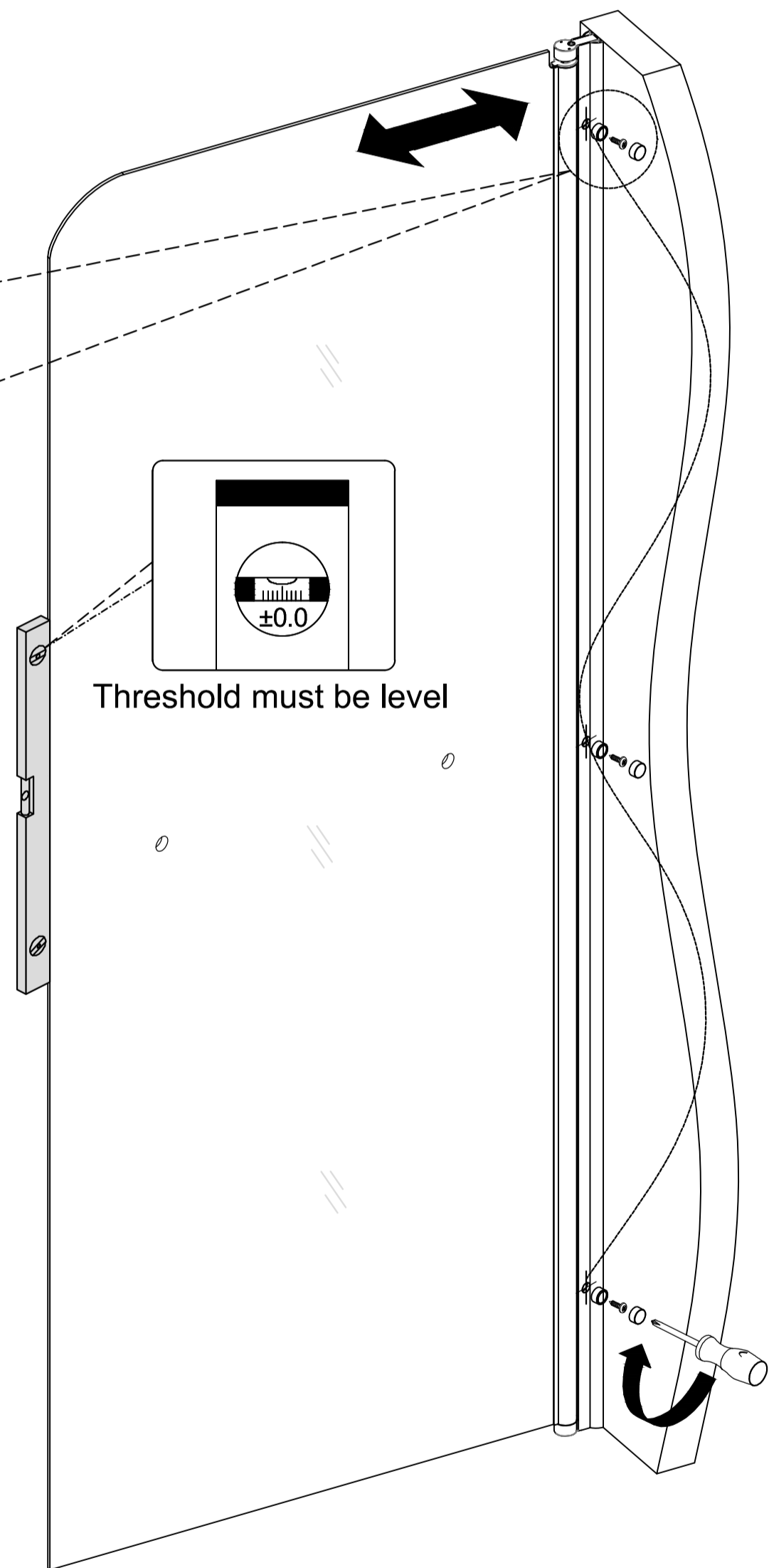


Inside View



cc X3

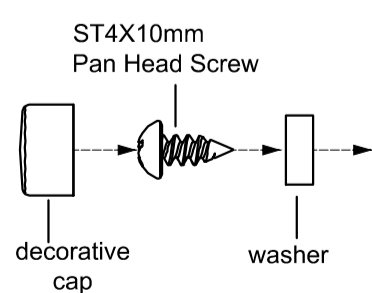
dd X3



Inside View

NOTE

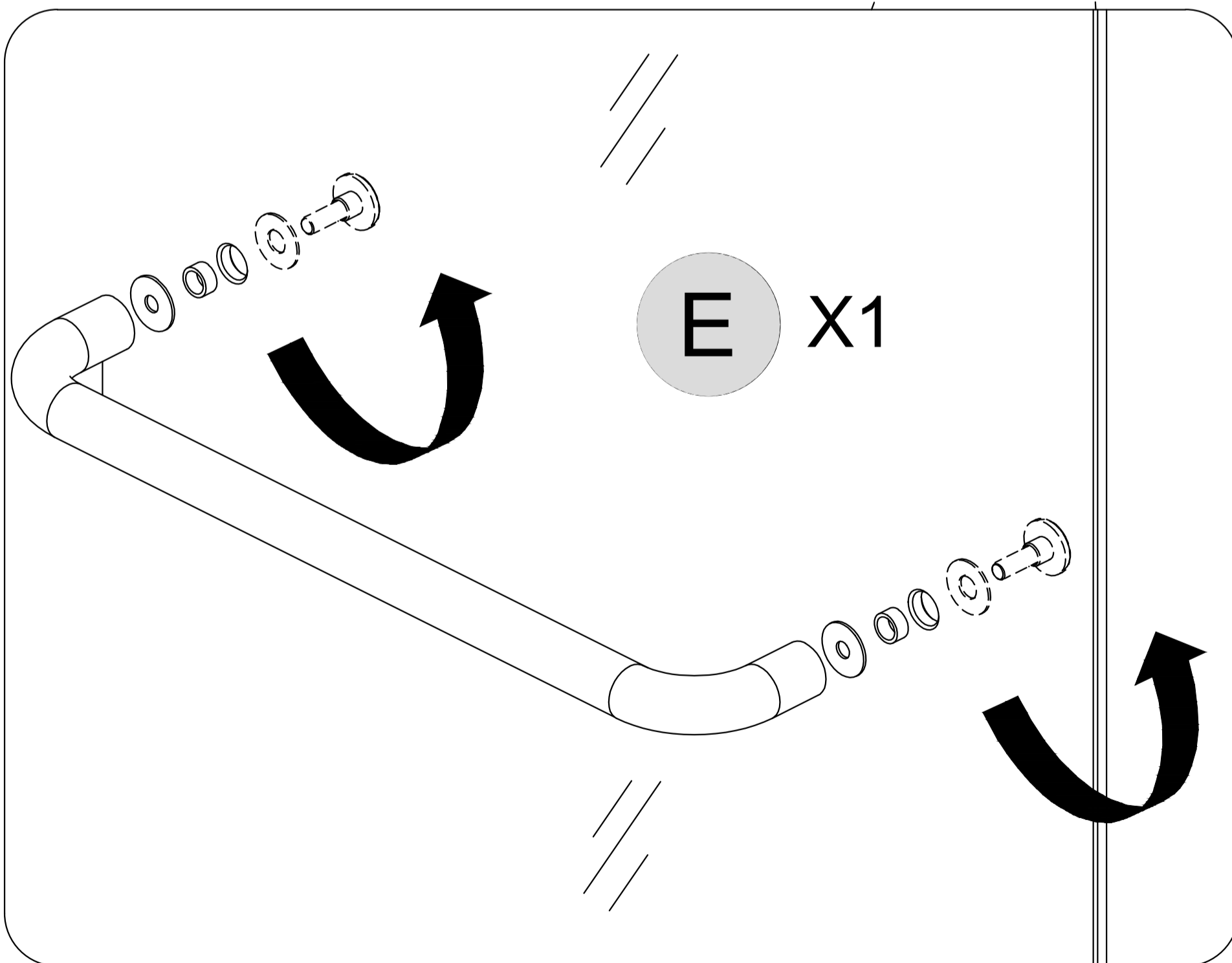
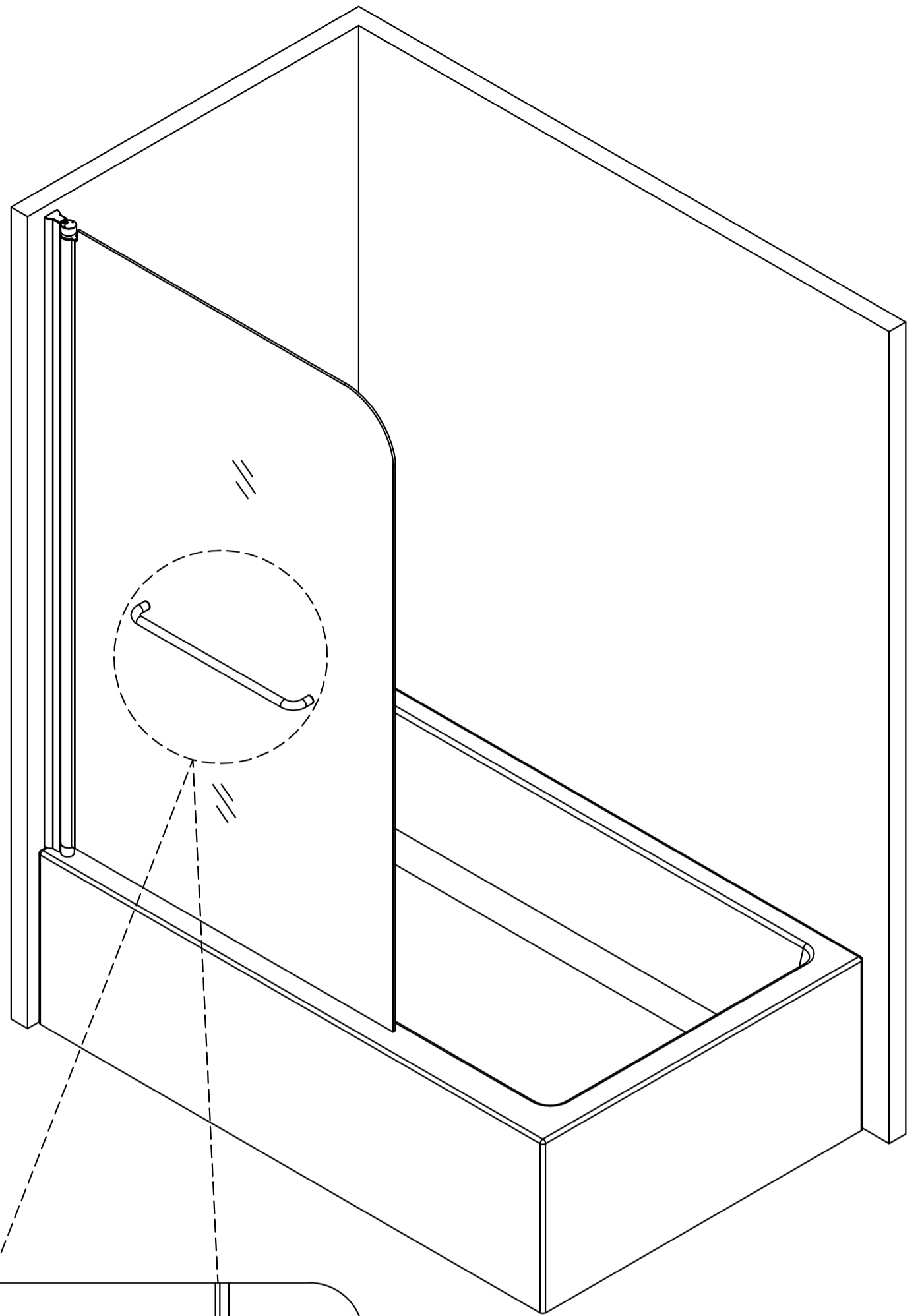
Include the washers when installing the **ST4.0x10mm Pan Head Screws (dd)** and **Decorative Caps (cc)**.



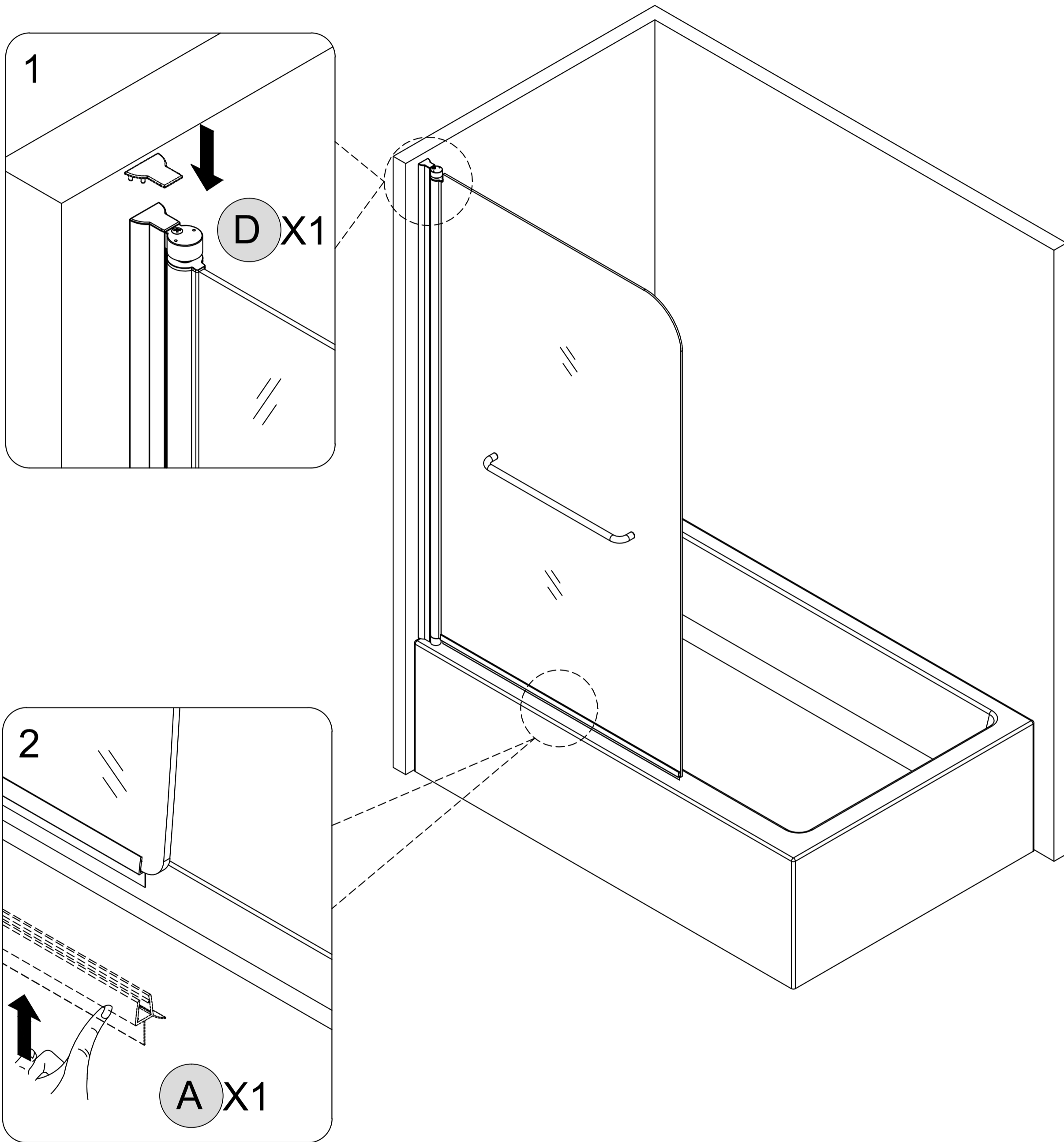
4 Handle(E) Installation

NOTE

Attach the **Handle (E)** to the **Door Panel (B)**. Be sure to use all of the supplied rubber gaskets to protect the glass.



5 Top Cover Cap (D)&Bottom Anti-water Strip (A) Installation



NOTE

Attach the **Bottom Anti-water Strip (A)** to **Door panel (B)** .

6 SEALING

NOTE The surfaces need to be clean and free of debris before applying silicone.

NOTE Ensure that the Shower door closes tightly and opens smoothly.
Apply a good quality silicone sealant along the Wall Jamb(C)

! Allow 24 hours for the silicone to cure before using the shower.

