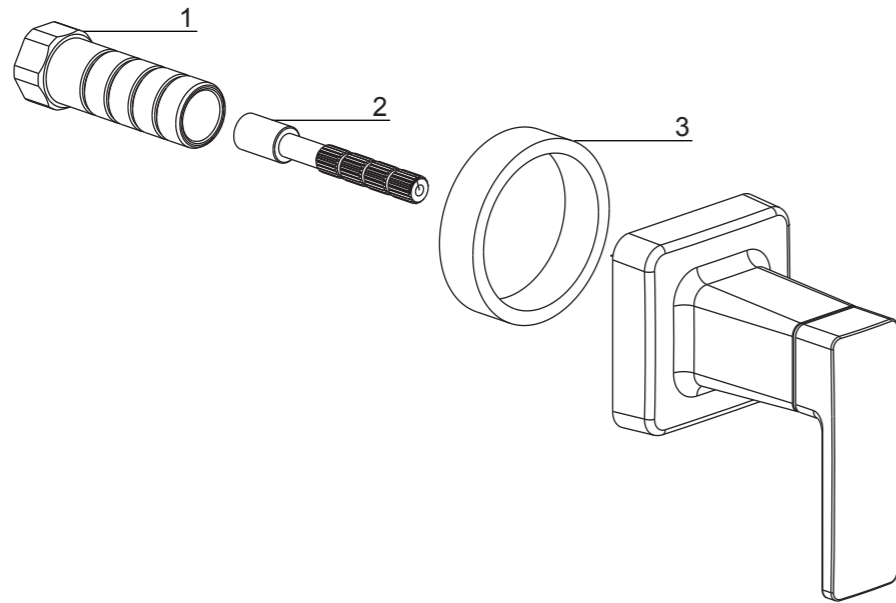


Replacement Parts / Pièces de rechange / Repuestos

NO.	Description	Part No.
1	Threaded Nipple	5T1C0319NT
2	Extended Stem	5P0C0582NT
3	Washer	5R4018900PL0



UF70700-3
 UF70703-3
 UF70705-3
 UF70707-3

Limited Lifetime Warranty

Ultra Faucets warrants to the original purchaser that its products will be free from defects in workmanship and materials. All Ultra Faucets are provided with a life time limited warranty. This warranty does not cover any other labor or service charges associated with the removal, repair, or reinstallation of Ultra Faucets products. This express warranty does not apply to products that have been damaged as a result of misuse, abuse, negligence, accident, faulty installation or maintenance practices and/or used in any manner contrary to those recommended by the manufacturer.

Need help? Please call our toll-free customer service line at 1-888-658-5872 for additional assistance or service.

Besoin d'aide? Veuillez communiquer avec notre service à la clientèle au numéro gratuit 1-888-658-5872 pour tous renseignements ou services complémentaires.

¿Requiere asistencia? Llame a nuestro Servicio al Cliente, sin costo, al 1-888-658-5872 para asistencia adicional o servicio.

Rift Collection

Single-Handle Diverter Trim/
 Volume Control



Installation/Installation/Instalación

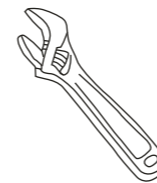
CUSTOMER SERVICE

TOLL-FREE 1-888-OK-ULTRA (658-5872)

UF70700-3 - Polished Chrome
 UF70703-3 - PVD Brushed Nickel
 UF70705-3 - Oil Rubbed Bronze
 UF70707-3 - Matte Black



Tools You Will Need / Outils dont vous aurez besoin / Herramientas necesarias



Adjustable Wrench

Clé à molette

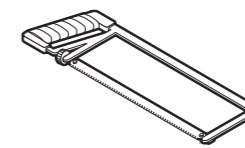
Llave ajustable



Pipe Tape

Ruban pour tuyau

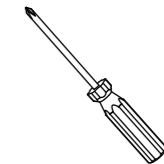
Cinta selladora para rosca



Hacksaw

Scie à métaux

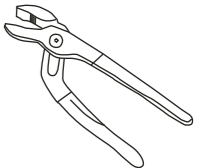
Sierra para metales



Phillips Screwdriver

Tournevis cruciforme

Destornillador cruciforme



Groove joint pliers

Pince multiprise

Pinzas ajustables

SAFETY TIPS

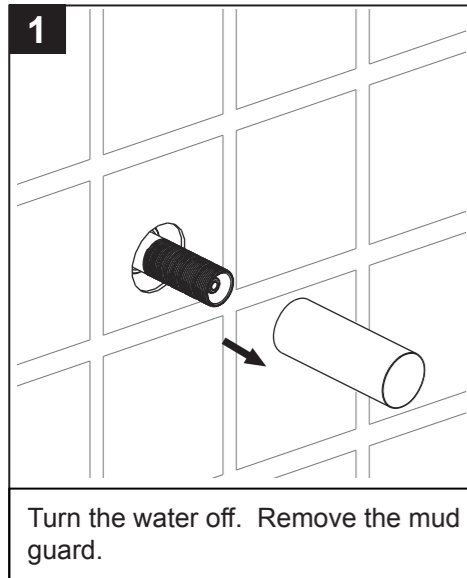
- If you use soldering for the installation of the faucet, the seats, cartridges and washers will have to be removed before using flame. Otherwise, warranty will be void on those parts.
- Cover your drain to avoid losing parts.
- 0°C~55°C.

CONSIGNES DE SÉCURITÉ

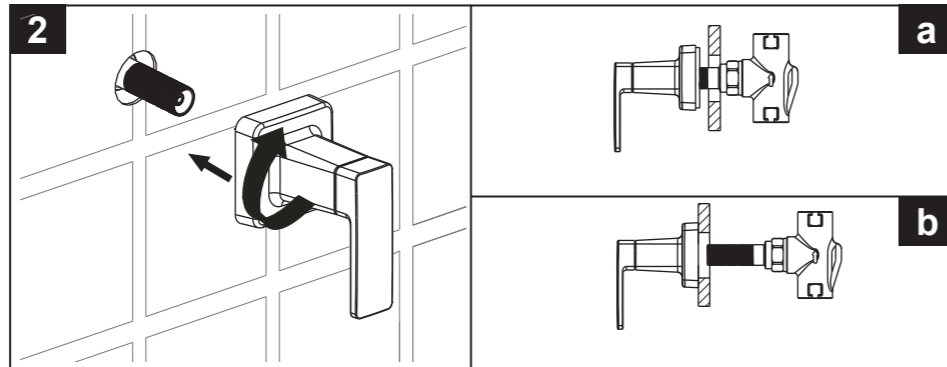
- Si vous posez le robinet par brasage, il est essentiel de retirer les sièges, les cartouches et les rondelles avant d'appliquer la flamme, faute de quoi la garantie sur ces pièces sera annulée.
- Couvrez le drain pour ne pas perdre des pièces.
- 0°C~55°C.

CONSEJOS DE SEGURIDAD

- En el caso de utilizar soldadura para instalar el grifo, remueva los asientos, cartuchos y arandelas antes de usar la llama. De lo contrario, se anulará la garantía para esos componentes.
- Tape la boca del desagüe para prevenir la pérdida de piezas pequeñas.
- 0°C~55°C.

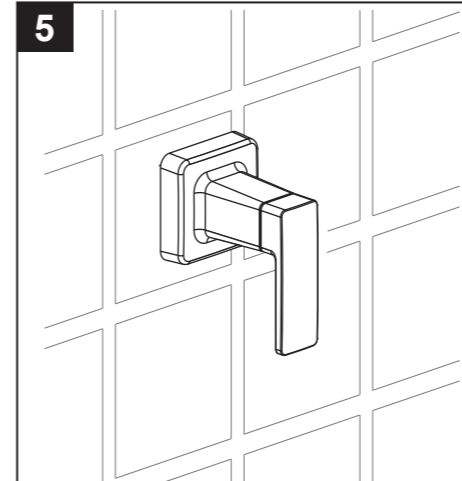


Turn the water off. Remove the mud guard.

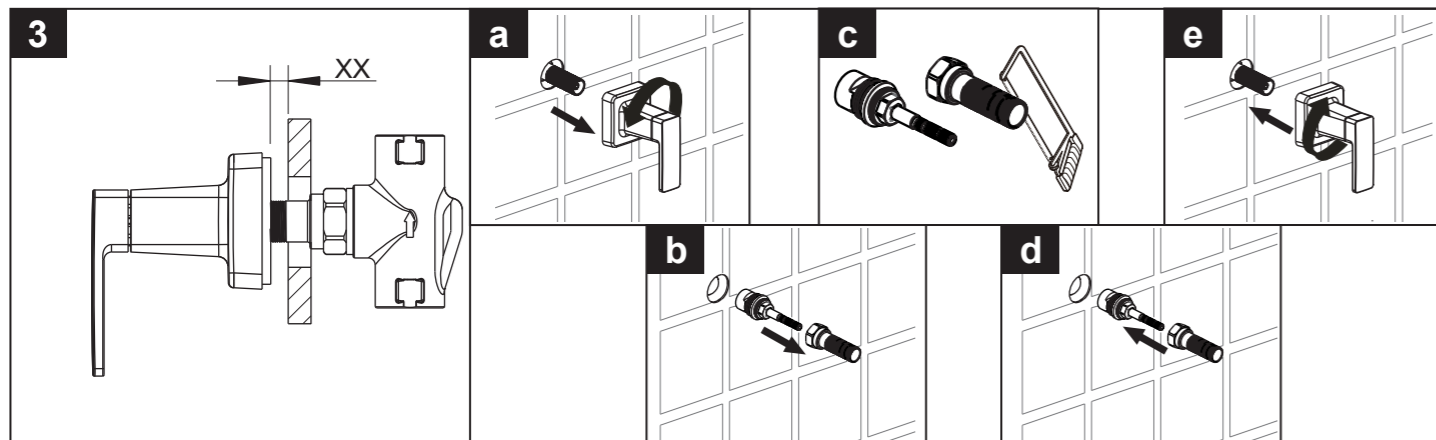


Align the handle and place the handle and escutcheon assembly into the valve in the preferred off position. Secure the assembly by turning the escutcheon clockwise.

- a. If the escutcheon will not firmly secure to the wall please go to step #3.
- b. If the handle will not engage the valve stem, please to step #4.
- c. If all functions well go to step 5

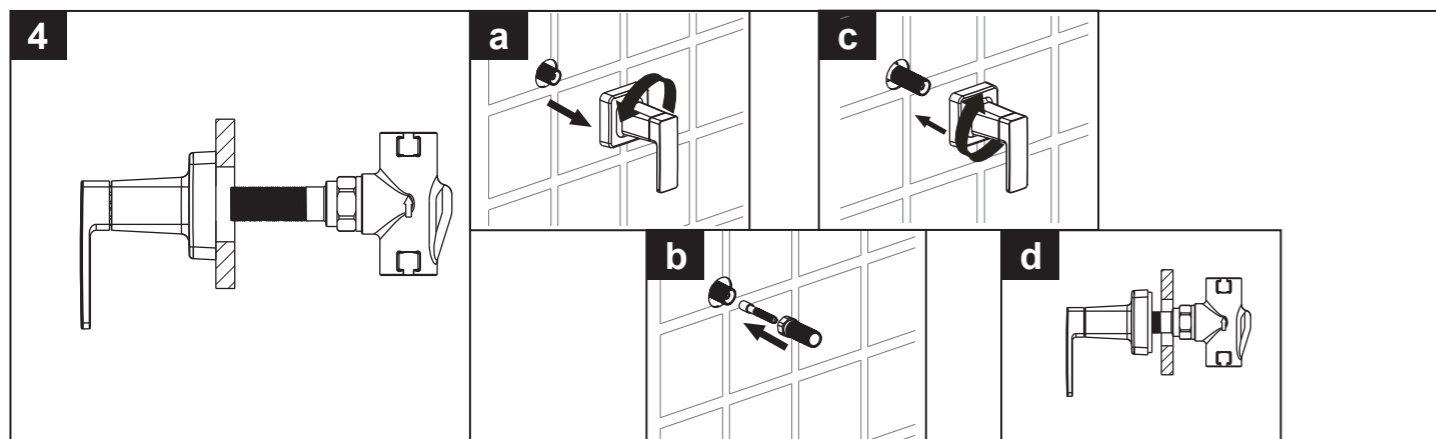


Installation complete. Turn the water on and test valve



Note the measurement between the finished wall and the bottom of the escutcheon.

- a. Remove the handle and escutcheon assembly.
- b. Remove the extended stem and threaded nipple.
- c. Cut down the extended stem and threaded nipple by the amount noted in step #3.
- d. Reinstall the extended stem and threaded nipple.
- e. Reinstall the handle and escutcheon as in step #2. Then turn on the water and go to step #5.



If the handle will not engage the valve stem, then:

- a. Remove the handle and escutcheon assembly.
- b. Install the extended stem and nipple supplied with the trim.
- c. Reinstall the handle and escutcheon as in step #2.
- d. If the escutcheon will not firmly secure to the wall please go to step #3.