

ASSEMBLY INSTRUCTIONS



29" Counter Height Stool

ASSEMBLY INSTRUCTIONS

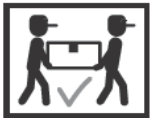
ASSEMBLY TIPS:

1. Remove hardware from box and sort by size.
2. Please check to see that all hardware and parts are present prior start of assembly.
3. Please follow attached instructions in the same sequence as numbered to assure fast & easy assembly.



WARNING!

1. Don't attempt to repair or modify parts that are broken or defective .Please contact the store immediately.
2. This product is for home use only and not intended for commercial establishment.



ASSEMBLY TIME

10 MINUTES

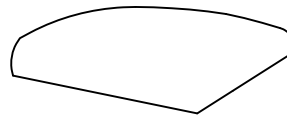
PARTS IDENTIFICATION

(A) CHAIR BACK



1PC

(B) SEAT



1PC

(CL) LEFT SIDE FACING LEG



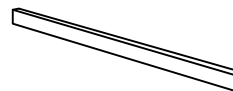
1PC

(CR) RIGHT SIDE FACING LEG



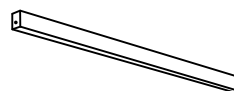
1PC

(DL) LEFT SIDE STRETCHER



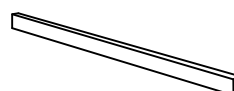
1PC

(DR) RIGHT SIDE STRETCHER



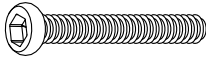



1PC

(E) FRONT STRETCHER



1PC

HARDWARE IDENTIFICATION

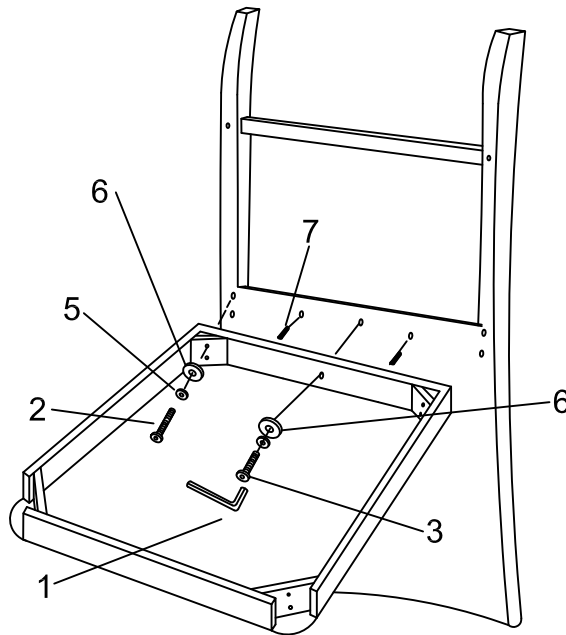
1	ALLEN WRNECH 5mm		1pc
2	LONG BOLT (82mm)		4pcs
3	MEDIUM BOLT (70mm)		1pc
4	SMALL BOLT (57mm)		4pcs
5	LOCK WASHER 5/16"		9pcs
6	FLAT WASHER 5/16X22mm		9pcs
7	WOOD DOWELS 10X30mm		6pcs
8	SCREW(38)mm		6pcs
9	GLUE		1pc

NOTE :

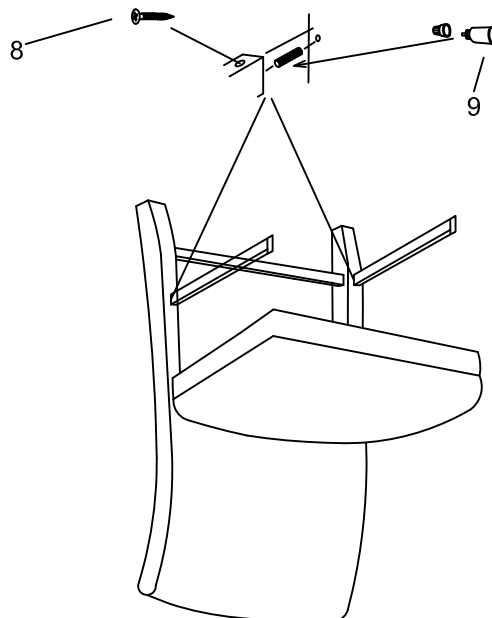
Quantities shown are for one stool.

ASSEMBLY INSTRUCTIONS

STEP 1

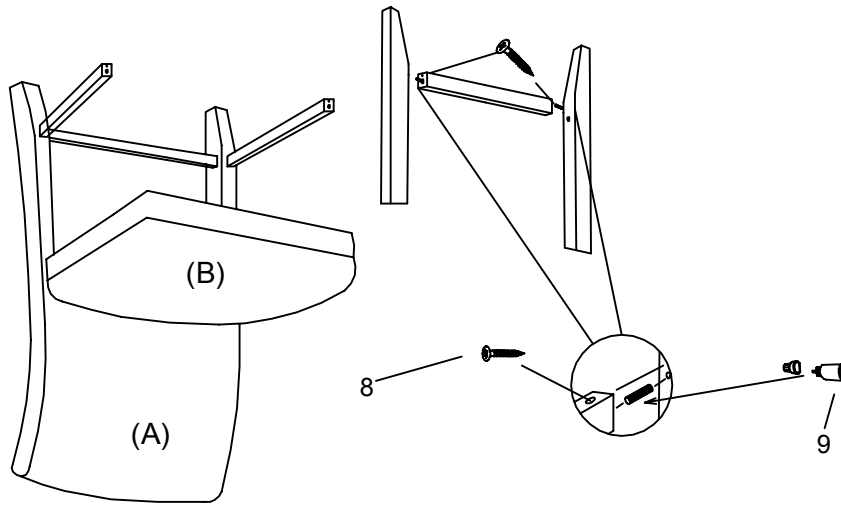


STEP 2

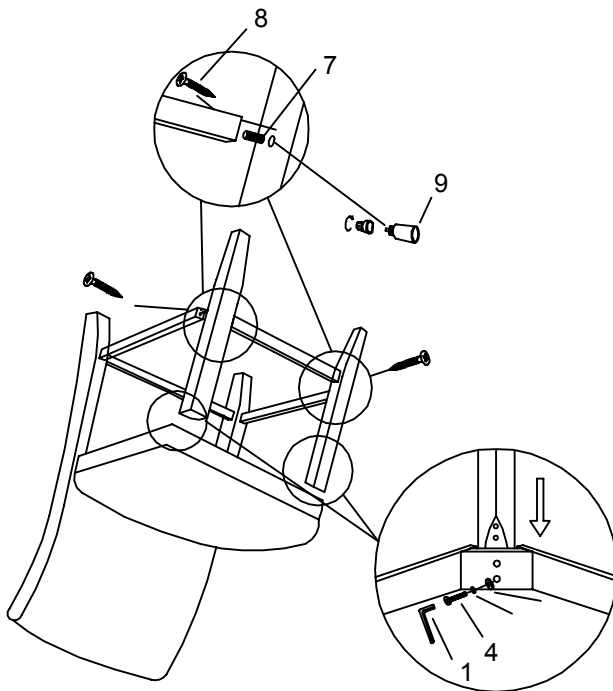


ASSEMBLY INSTRUCTIONS

STEP 3



STEP 4



ASSEMBLY INSTRUCTIONS

STEP 5

