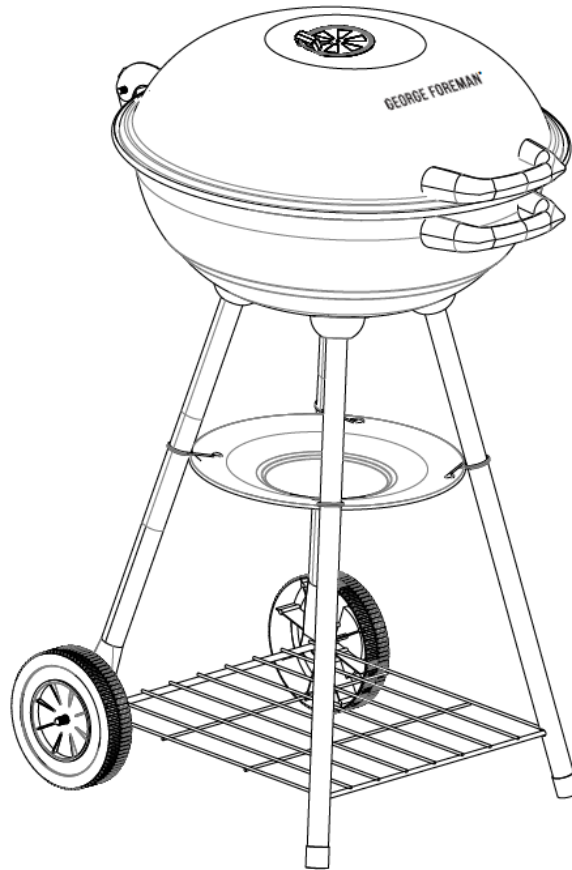


GEORGE FOREMAN®

KETTLE BBQ GFKTBBQ1801B



WARNING: CARBON MONOXIDE HAZARD

Burning charcoal indoors can kill you. It gives off carbon monoxide which has no odour. NEVER burn charcoal in enclosed spaces e.g. homes, vehicles or tents.

PLEASE RETAIN INSTRUCTIONS FOR FUTURE REFERENCE

For Customer Services and Spare Parts please call **0345 209 7461**
Or visit us at **bbqs.georgeforeman.co.uk**

CONTENTS

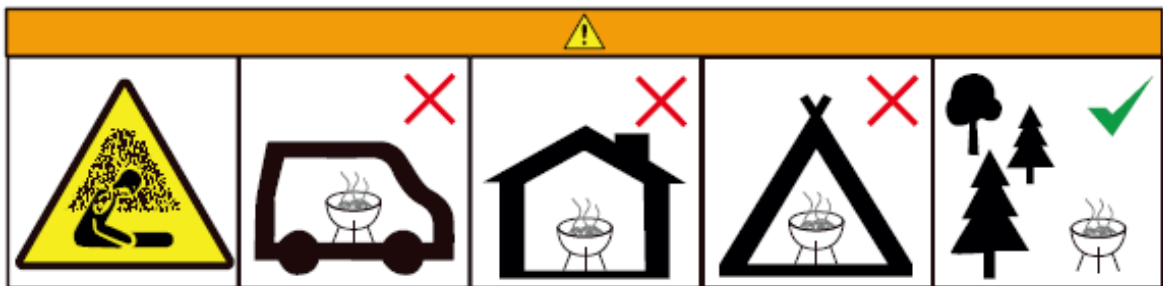
	Page(s)
Safety instructions	3
BBQ Feature Diagram	4
BBQ Parts List	5-6
BBQ Assembly	7-14
Lighting your BBQ	15
Food Safety	16
Cleaning and care	17
Guarantee and customer services	18
Notes	19

SAFETY INSTRUCTIONS

WARNING: IMPORTANT SAFETY INSTRUCTIONS

READ CAREFULLY AND KEEP FOR FUTURE REFERENCE

- The Barbeque must be installed on a secure level base prior to use.
- The Barbeque should be heated up for at least 30 minutes prior to the first cooking on the barbeque.
- Ensure that the coals placed do not exceed half the height between the cooking grill and the coal area.
- **WARNING: This barbecue will become very hot, do not move it during operation.**
- **WARNING: Do not use spirit or petrol for lighting or re-lighting! Use only firelighters complying to EN 1860-3!**
- **WARNING: Keep children and pets away.**
- **WARNING: Do not use the barbecue in a confined and/or habitable space e.g. houses, tents, caravans, motor homes, boats. Danger of carbon monoxide poisoning fatality.**



Carbon Monoxide
Poisoning Hazard

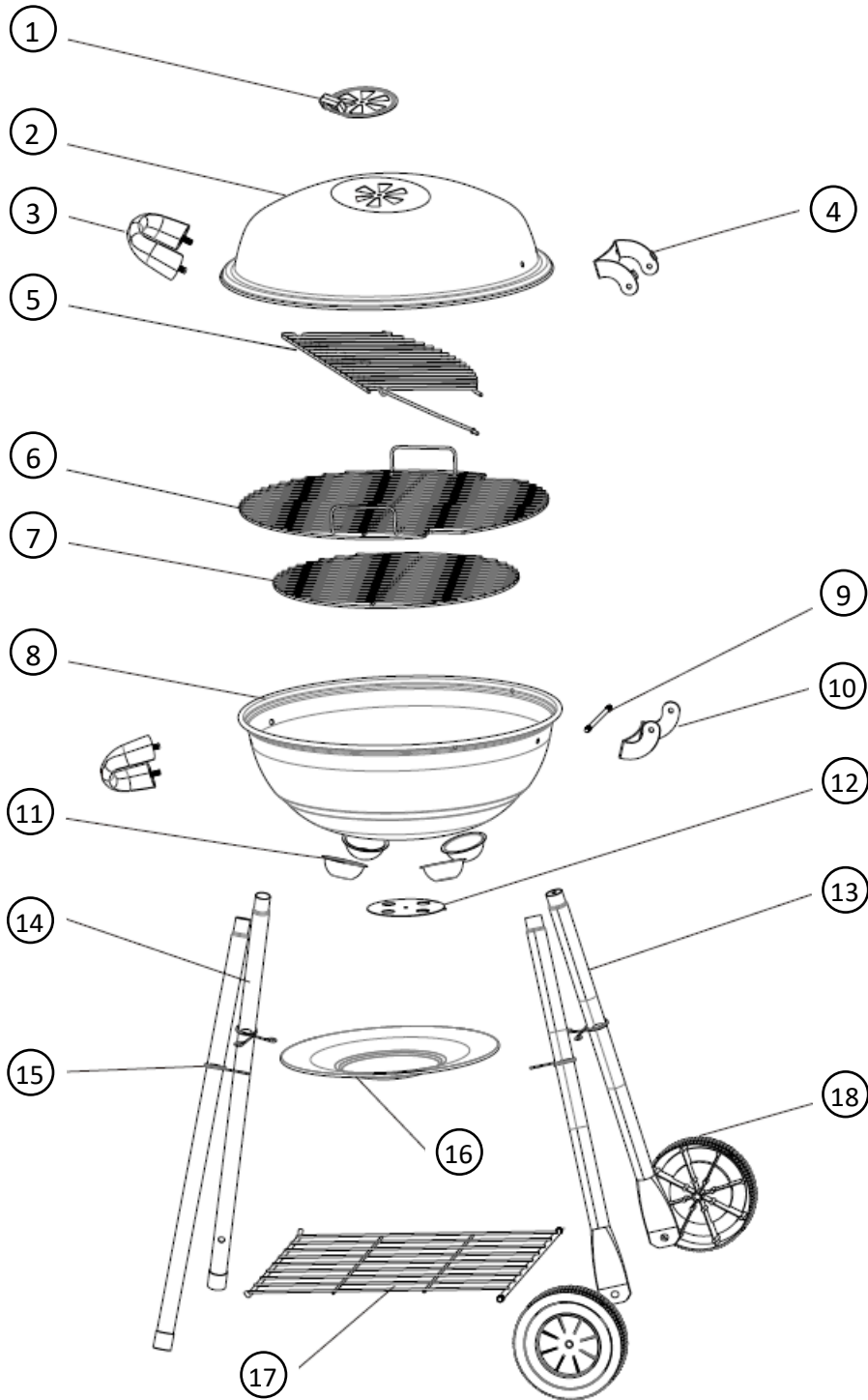
Do Not Use
in Motor
Homes

Do Not Use
Indoors

Do Not Use in
Tents

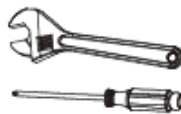
Use in Open
Spaces

BBQ FEATURE DIAGRAM



You will need:














- Adjustable spanner
- Crosshead screwdriver



BBQ PARTS LIST

PART	DESCRIPTION	QTY
1	Lid air vent	1
2	Lid	1
3	Handles	2
4	Lid support	1
5	Warming rack	1
6	Cooking grill	1
7	Charcoal grill	1
8	Fire bowl	1
9	Axel	1
10	Fire bowl support	1
11	Leg cups	4
12	Ash lid	1
13	Wheel legs	2
14	Long legs	2
15	Ash plate support	4
16	Ash plate	1
17	Shelf	1
18	Wheels	2

BBQ PARTS LIST

PART	DESCRIPTION		SIZE	QTY
A	Bolt		M5 x 12mm	2
B	Nut		M5	2
C	Bolt		M6 x 12mm	4
D	Washer		Ø6 x 16mm	10
E	Nut		M6	4
F	Wing Nut		M6	4
G	Bolt*		M6 x 30mm	4
H	Washer*		Ø6 x 20mm	4
I	Nut		M8	2
J	Capped Nut		M6	2
K	Fibre Washer		Ø6 x 18mm	4
L	Capped Nut		M4	2
M	Washer		Ø4 x 10mm	2

*Parts G & H are pre-assembled on the legs (13 & 14).

BBQ ASSEMBLY

STEP 1 – Assembling the lid

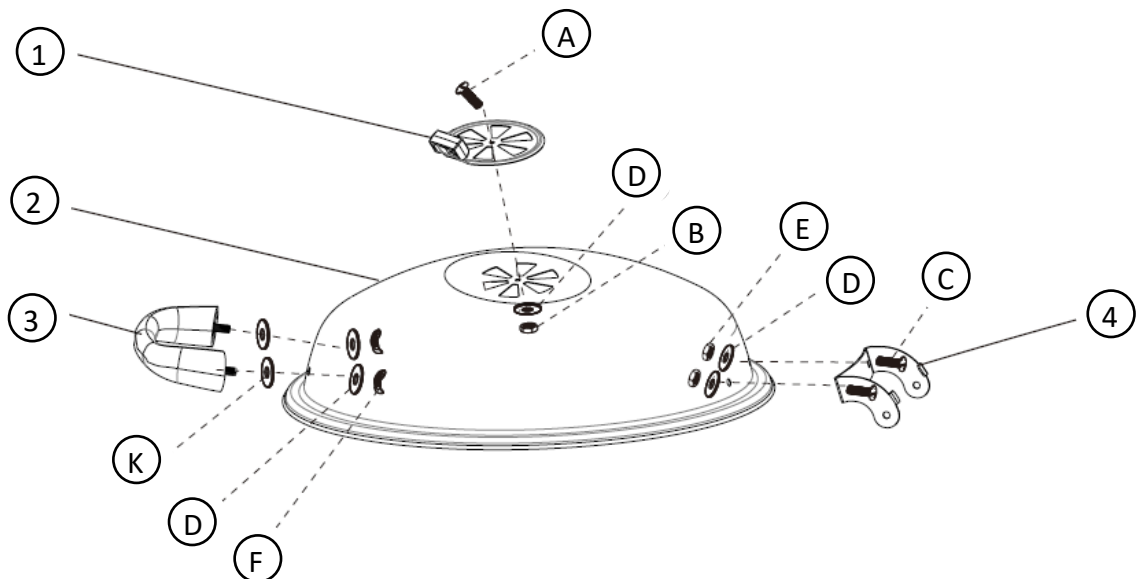
- Attach one of the **handles** (3) onto the **lid** (2) using the “**K**”, “**D**” and “**F**” washers and wing nuts.
- Attach the **lid support** (4) onto the **lid** (2) using the “**C**”, “**D**” and “**E**” bolts, washers and nuts.

The lid support should be placed on the outside of the lid.

Ensure the fibre washers are placed on the outside of the lid and the metal washers and wing nuts are placed on the inside of the lid.

- Attach the **lid air vent** (1) onto the **lid** (2) using the “**A**”, “**D**” and “**B**” bolts, washers and nuts.

Ensure the bolt is placed on the outside of the fire bowl and the washer and nut are placed on the inside of the lid.



BBQ ASSEMBLY

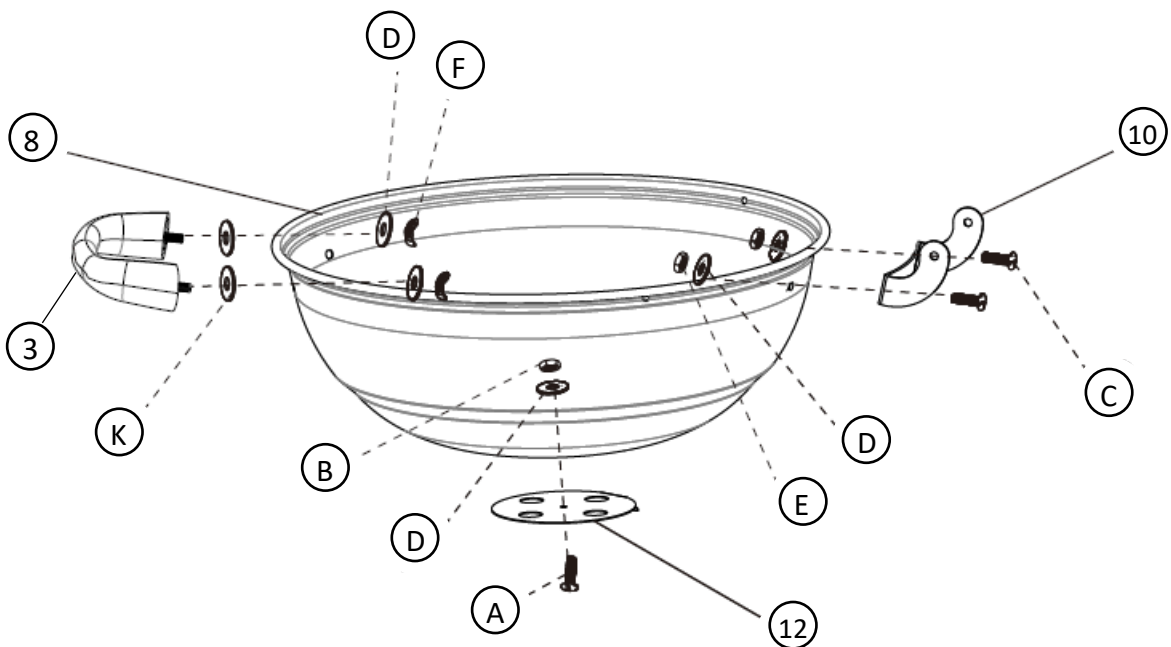
STEP 2 – Assembling the fire bowl

- Attach one of the **handles** (3) onto the **fire bowl** (8) using the “**K**”, “**D**” and “**F**” Washers and Wing Nuts.
- Attach the **fire bowl support** (10) onto the **fire bowl** (8) using the “**C**”, “**D**” and “**E**” bolts, washers and nuts.

Ensure the fibre washers are placed on the outside of the fire bowl and the metal washers and wing nuts are placed on the inside of the fire bowl.

- Attach the **ash lid** (12) to the bottom of the **fire bowl** (8) using the “**A**”, “**D**” and “**B**” Bolts, Washers and Nuts.

Ensure the bolts are placed on the outside of the fire bowl and the washers and nuts are placed on the inside of the fire bowl.

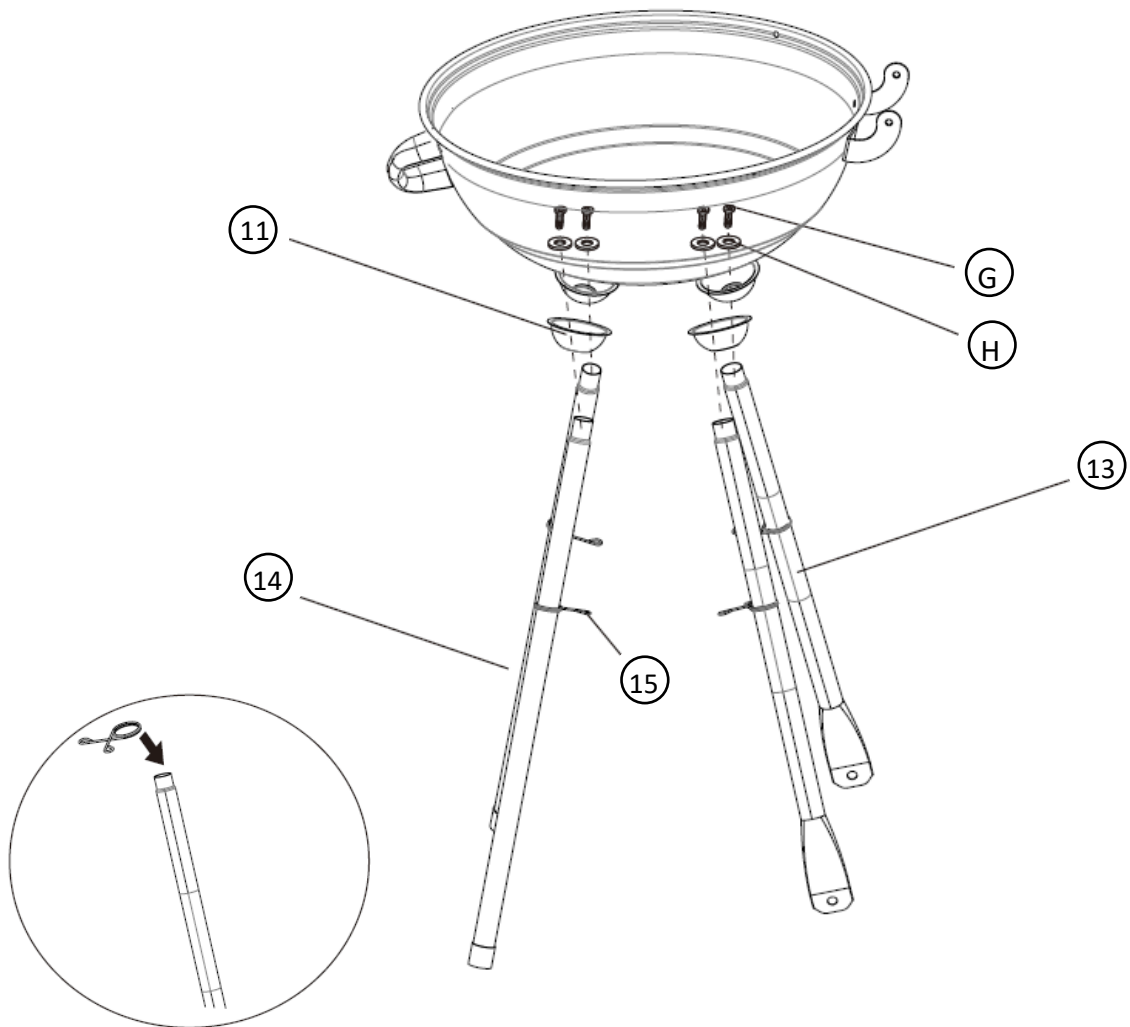


BBQ ASSEMBLY

STEP 3 – Assembling the legs

- Remove the “G” and “H” Bolts and Washers that have been preassembled onto the legs (13 & 14).
- Slide the **ash plate supports** (15) onto the legs.
- Attach the **leg cups** (11), **long legs** (14) and **wheel legs** (13) to the **fire bowl** (8) using the “G” and “H” Bolts and Washers.

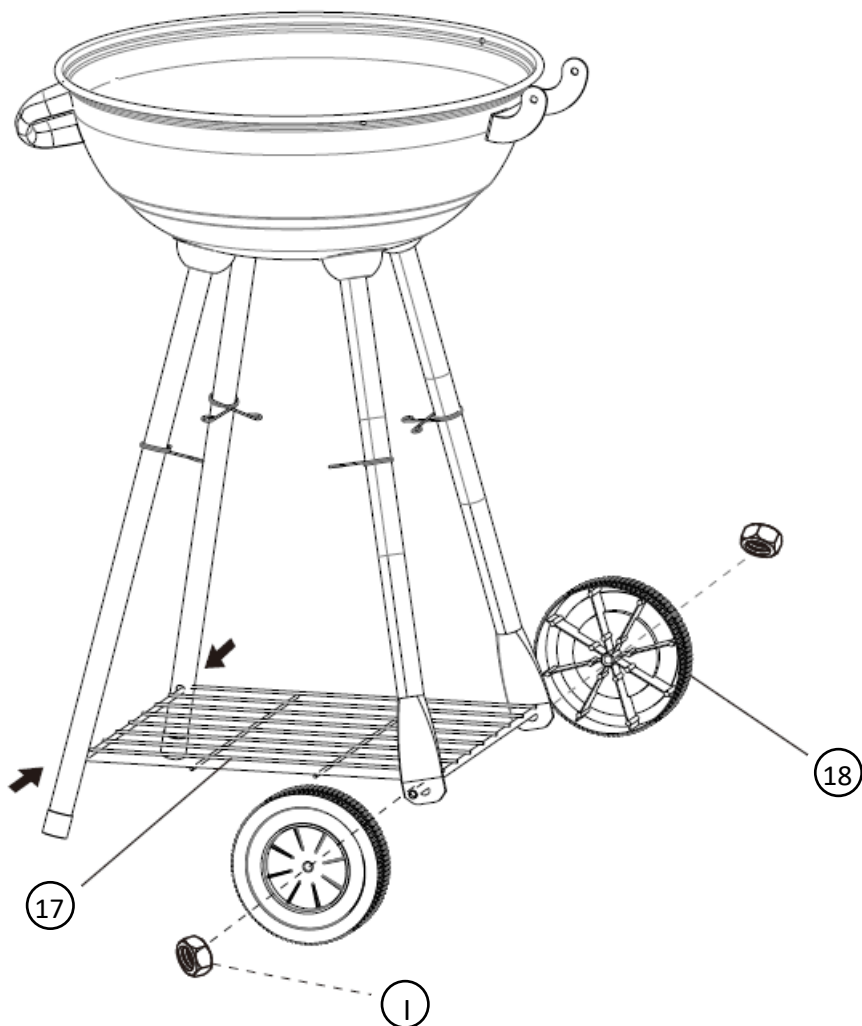
IMPORTANT: Ensure the **long legs** (14) are attached to the handle side of the body.



BBQ ASSEMBLY

STEP 4 – Adding the shelf

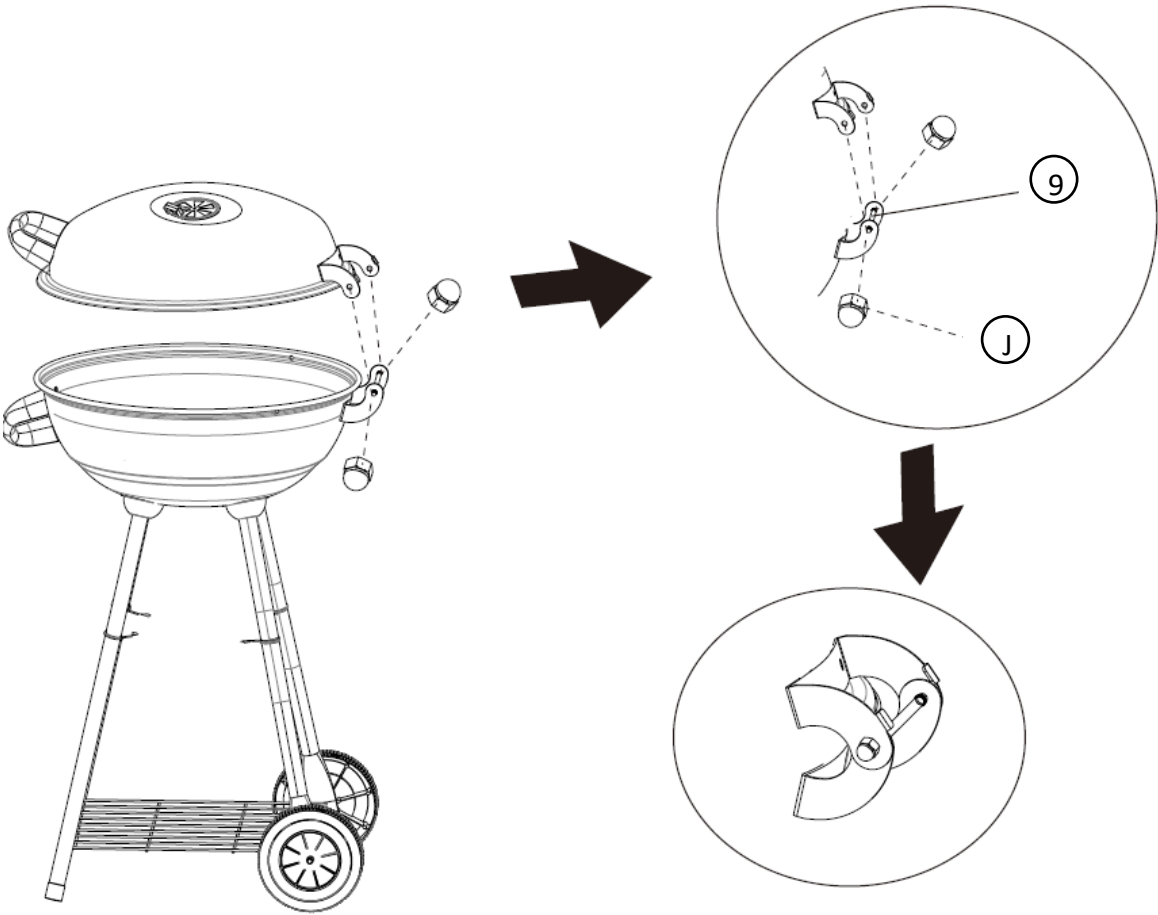
- Attach the **shelf** (17) to the legs
- Attach the **wheels** (18), the **shelf** (17) and **wheel legs** (13) together by using 2 of the “I” nuts.



BBQ ASSEMBLY

STEP 5 – Attaching the lid

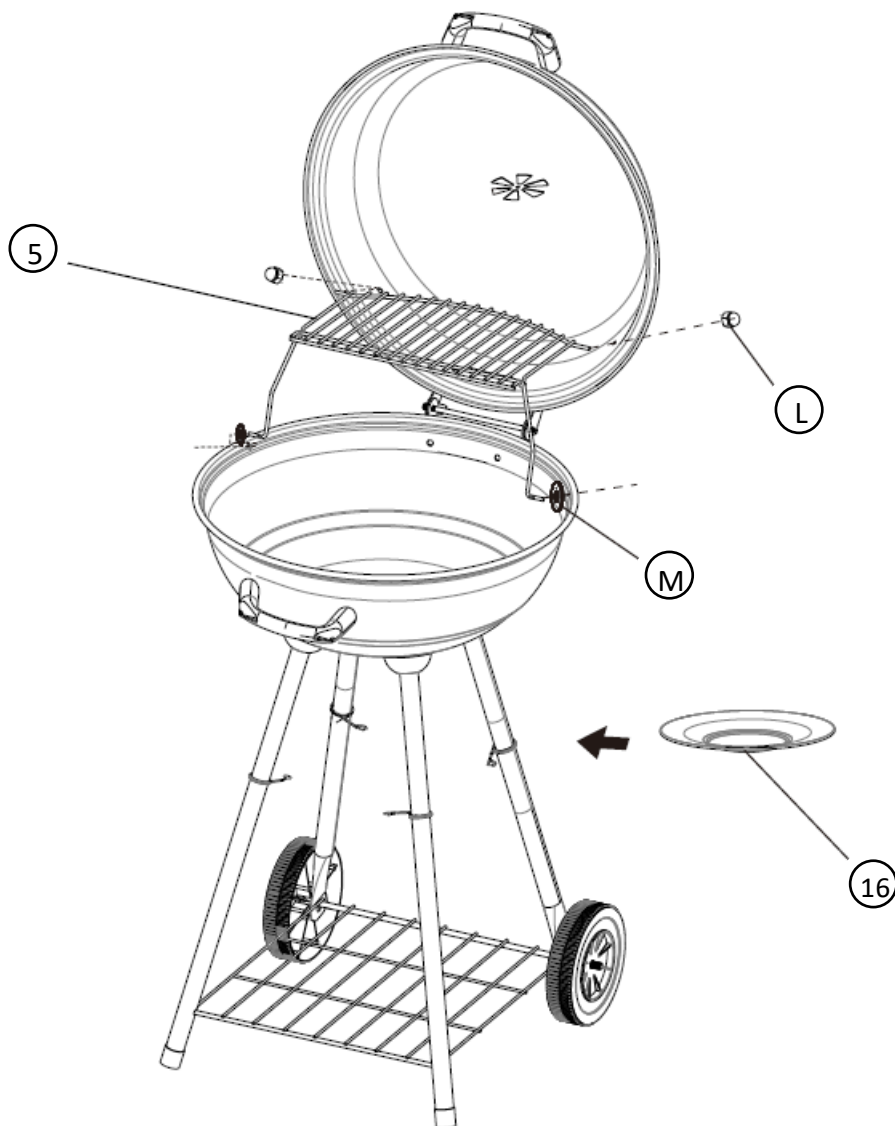
- Attach the lid (2) onto the fire bowl (8) using 2 of the “J” capped nuts and axel “9”.



BBQ ASSEMBLY

STEP 6 – Adding the warming rack and ash plate

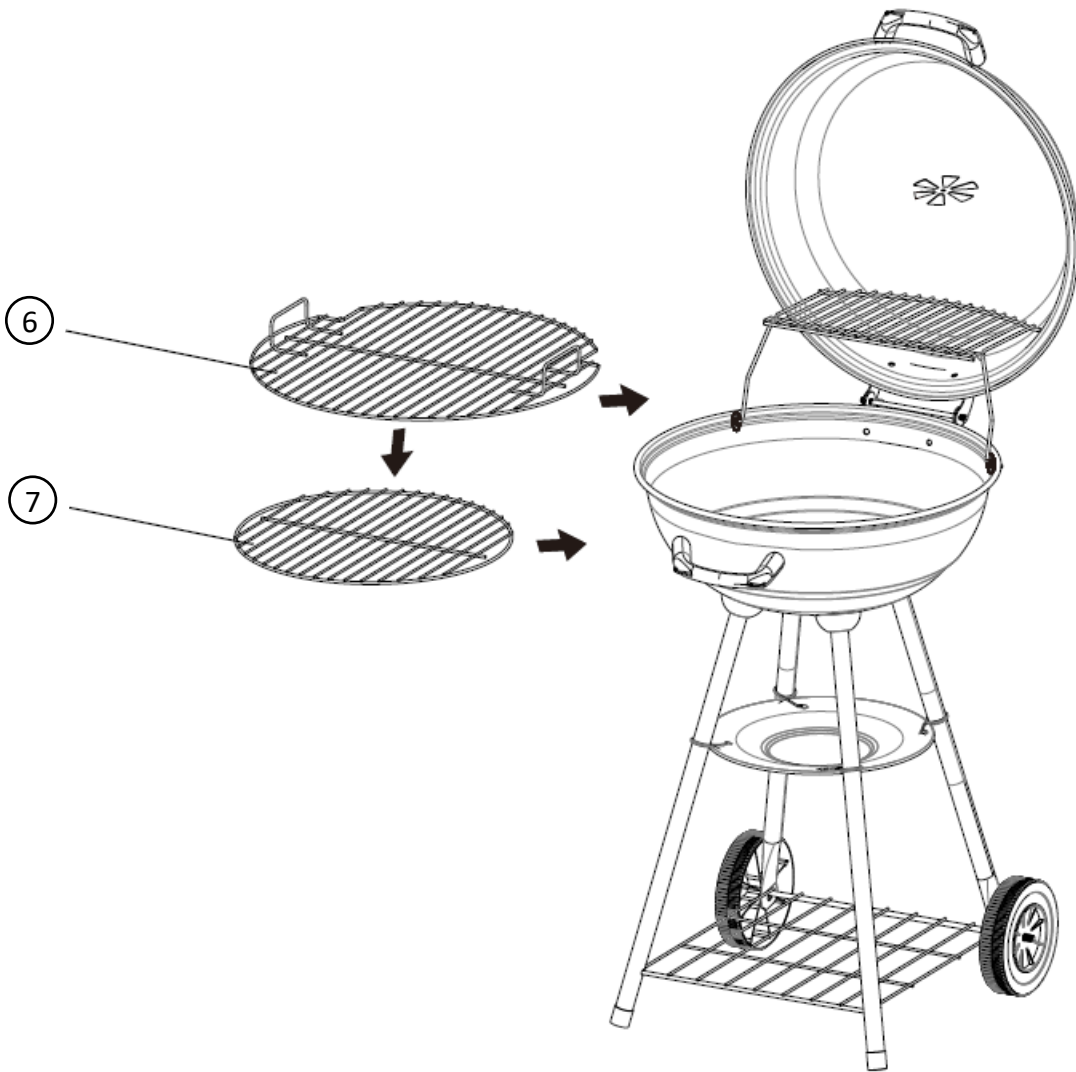
- Attach the **warming rack** (5) to the **lid** (2) and the **fire bowl** (8) using “L” and “M” nuts and washers.
- Attach the **ash plate** (16) to the legs.



BBQ ASSEMBLY

STEP 7 – Attaching the grill plates

- Attach the **cooking grill (6)** and **charcoal grill (7)** in the **fire bowl (8)**.



BBQ ASSEMBLY

STEP 8 – Completed BBQ



LIGHTING YOUR BBQ

WARNING! Do not use spirit or petrol for lighting or re-lighting. Use only firelighters complying to EN 1860-3.

1. Remove the cooking grill and place a small quantity of charcoal into the charcoal pan. Light in accordance with the instructions on the charcoal pack.
2. Close the lid and open the air vent to ensure the charcoal lights. Opening the air vents will increase the airflow and cause the charcoal to burn faster. Wear oven gloves when adjusting the air vent.
3. When the charcoal becomes red hot, add more charcoal for cooking. The maximum fill level for charcoal is 1 kg.
4. Replace the cooking grill and wait approximately 20-30 minutes before cooking. Do not cook before the charcoal has a coating of ash.

WARNING: When using your barbecue for the first time, allow the charcoal to remain red hot for at least 30 minutes before cooking.

WARNING: Accessible parts will be hot - wear oven gloves when touching the barbecue and adjusting the air vent.

WARNING: Do not extinguish with water as this may damage the barbecue.

FOOD SAFETY

- Thoroughly defrost frozen meat and poultry in the refrigerator before cooking. Keep raw meat and poultry separate from cooked foods.
- Always wash hands after handling raw meat and poultry, before handling any ready to eat foods.
- Wipe and disinfect surfaces that have been in contact with raw meat and poultry.
- When barbecuing meat and poultry, make sure the barbecue is extremely hot. Place the larger, thicker portions furthest away from the most intense heat to ensure thorough cooking without burning and turn regularly.
- Use separate utensils for handling raw meat/poultry and cooked food on the barbecue, or wash them thoroughly between uses.
- To check whether meat, particularly poultry, is cooked, pierce the flesh with a skewer or fork; the juices should run clear. Ensure the product is piping hot throughout.

CLEANING AND CARE

Removing the Ash

- Allow the barbecue and ash to become completely cold before emptying.
- Remove the ash cup and safely dispose of the cold ash in a fire proof container, or dampen with water to ensure the ash is entirely cold before disposing in a suitable container.
- Remove the cooking grill before inverting the barbecue and emptying the ash into a suitable container.

Care and Maintenance

- Empty the ash from the barbecue and clean after each use.
- The fire bowl, cooking grill and charcoal pan can be cleaned using barbecue cleaning fluid. Avoid using wire wool and brushes as these may scratch the surface.
- When not in use this barbecue should be stored in a dry location or under a waterproof cover.

GUARANTEE AND CUSTOMER SERVICES

This product is guaranteed for **12 months** from the date of the original purchase. If any defect arises due to faulty materials or workmanship, the faulty product must be returned to the place of purchase.

Refund or replacement is at the discretion of the retailer.

The following conditions apply:

- The product must be returned to the retailer with the original proof of purchase.
- The product must be installed and used in accordance with the instructions contained in this instruction guide and any other instructions for use which are supplied.
- It must be used for domestic purposes only and for its intended use.
- This guarantee does not cover wear and tear, damage, misuse or consumable parts.

This does not affect your statutory rights.

For Customer Services & Spare Parts please call **0345 209 7461**

Or visit us at **bbqs.georgeforeman.co.uk**

NOTES

GEORGE FOREMAN[®]

**KETTLE BBQ
GFKTBBQ1801B**

Made under license by G2S Limited, Wigan,
WN2 4AY/G2S (NI) Ltd, Belfast, BT5 5AD.

George Foreman is the registered trademark
of Spectrum Brands (U.K.) Ltd.

Revision 2.4