

# Bifold Doors Assembly Instructions

---

## IMPORTANT

### PLEASE READ CAREFULLY / LISEZ ATTENTIVEMENT S'IL VOUS PLAÎT / POR FAVOR LEA CUIDADOSAMENTE

General safety rules follow / Consignes de sécurité générales à respecter / Normas Generales de Seguridad que deben cumplirse

- Read all instructions carefully
- Protect your eyes when handling metal parts, wear safety goggles
- Make sure the installation area is free of clutter
- Lisez attentivement toutes les instructions
- Protégez vos yeux en portant des lunettes de sécurité
- Assurez-vous que la surface d'installation n'est pas obstruée
- Lee cuidadosamente todas las instrucciones
- Protege tus ojos, usa gafas de seguridad
- Asegura que no haya desorden en el área de instalación

Follow all steps in order and complete each step before starting the next step.

Suivez toutes les étapes dans l'ordre et terminer chaque étape avant de commencer l'étape suivante.

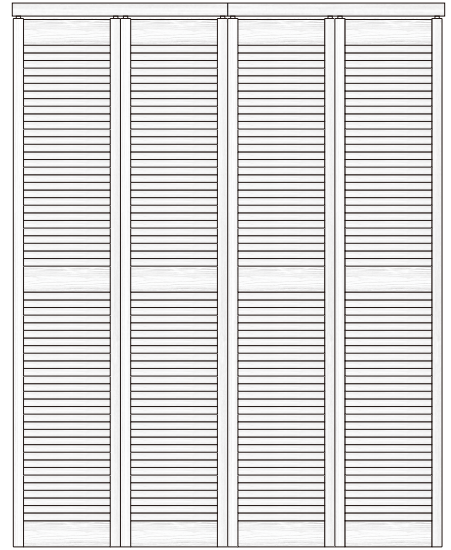
Siga todos los pasos en orden y complete cada paso antes de comenzar con el siguiente paso.

Notes:

- Wear Safety Goggles
- Dimensions are in inches  
Millimeters are shown in brackets
- Fits normal finished opening height of 80 1/2"
- 2-Door and 4-Door Installations below.  
For 4-Door Installations, 2 (two) 2-Door sets will need to be purchased

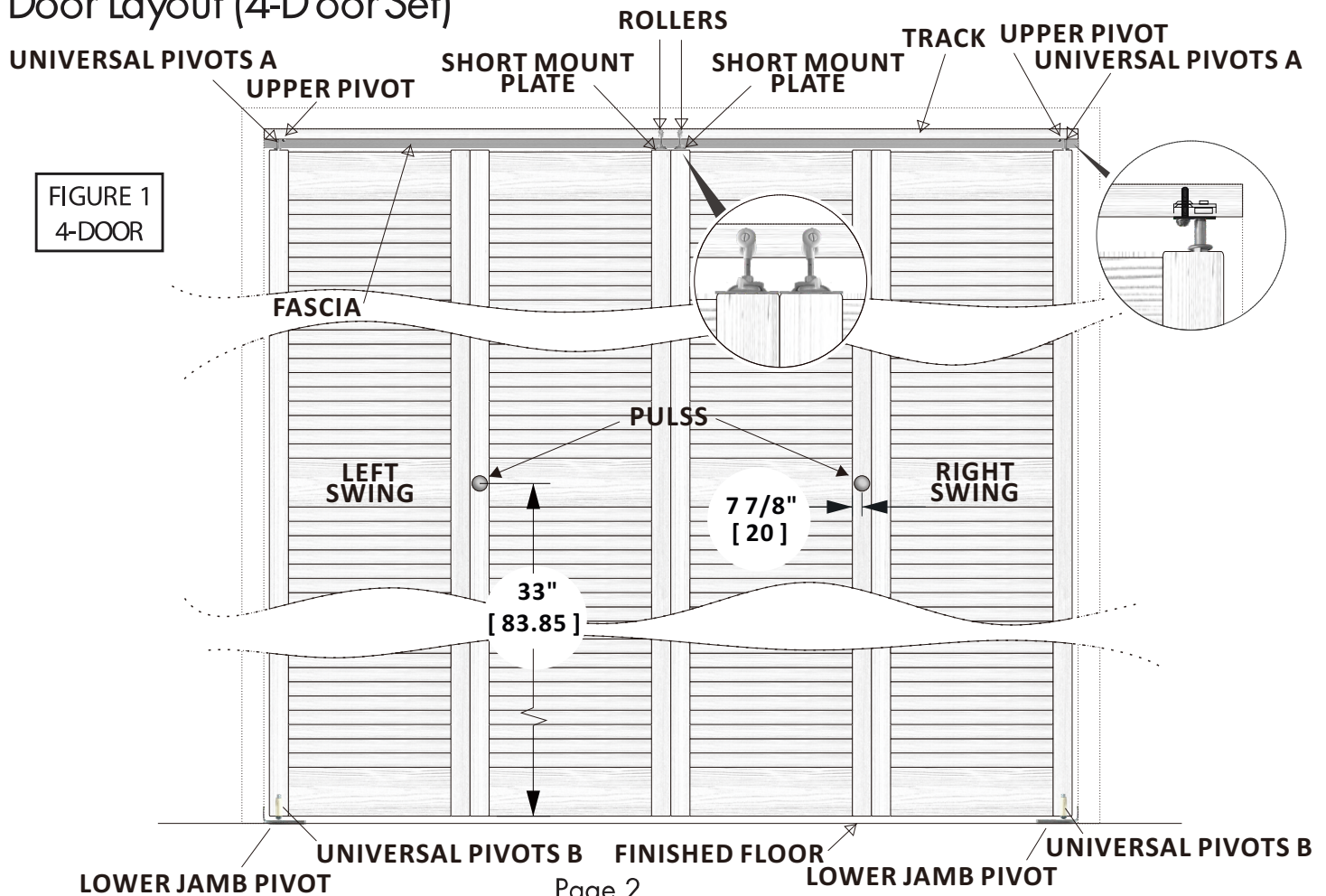


2-Door Set



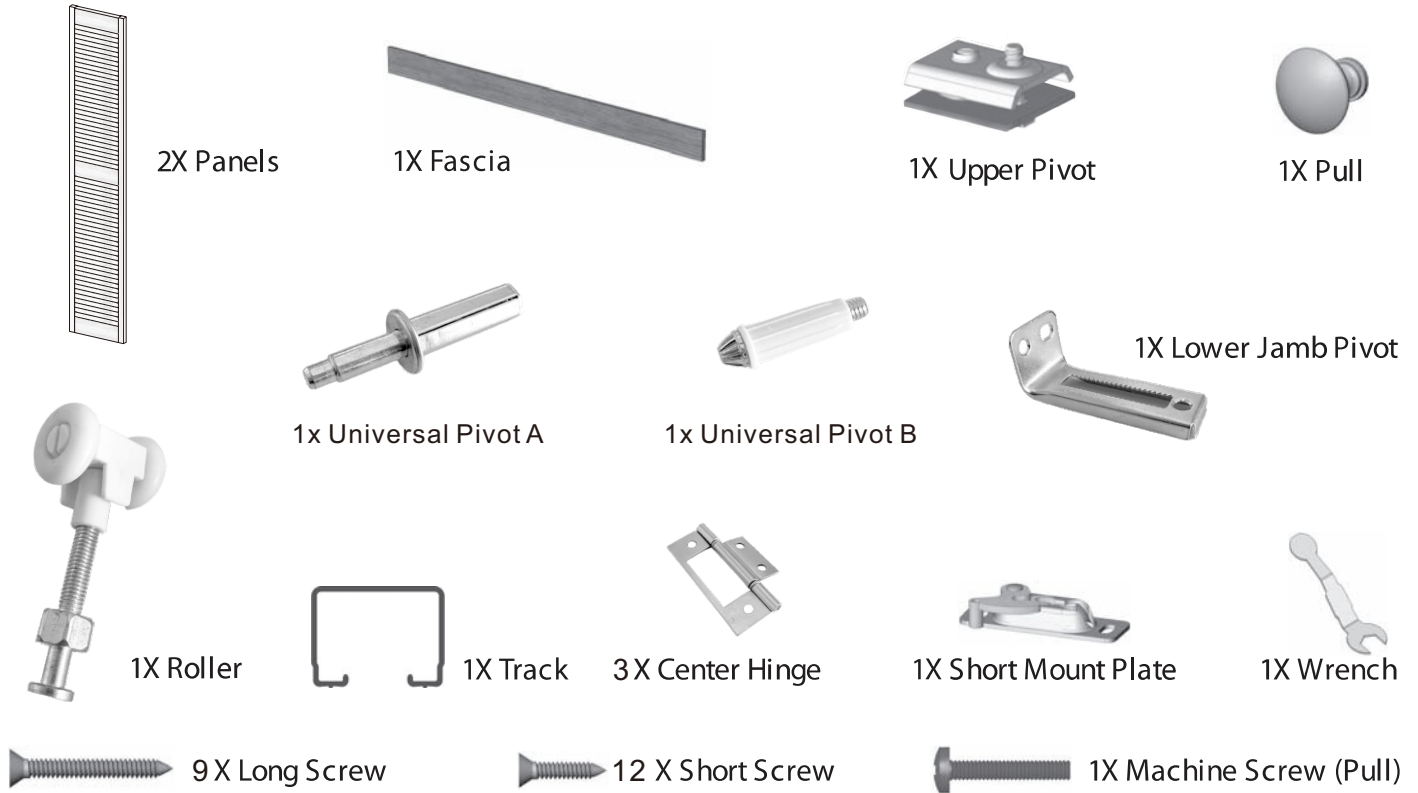
4-Door Set

## Door Layout (4-Door Set)



Tools Needed: Phillips Screwdriver, Pencil, Drill, Measuring Device, 3/16"(5mm) Drill Bit, 3/32"(2mm) Drill Bit (optional for pilot holes).

### Contents (2 Door Set)



### Step 1-Prepare Track for Mounting

Insert components as shown in Figure 2 for 4-Door set or as in Figure 4 for 2-Door set. The Upper Pivot may need to be loosened in order to attach to the track. If so, loosen the screw with a Phillips screwdriver and if necessary loosen the bolt with the included wrench just enough to slide the Upper Pivot onto track. Tighten Upper Pivot with a Phillips screwdriver as shown in Figure 5.

FIGURE 2  
4-DOOR

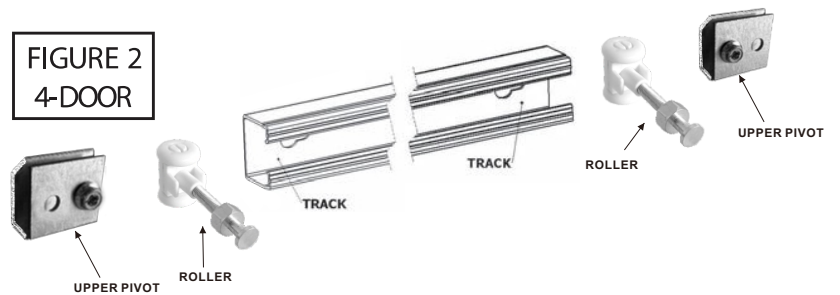


FIGURE 4  
2-DOOR

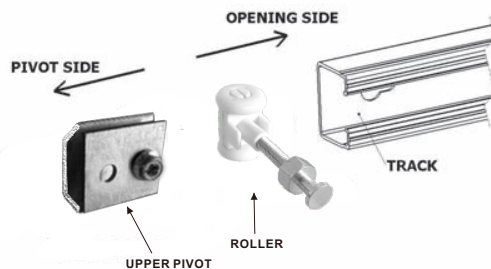
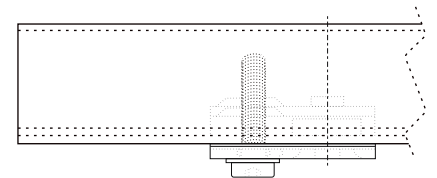
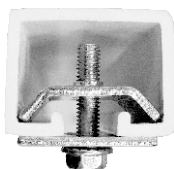


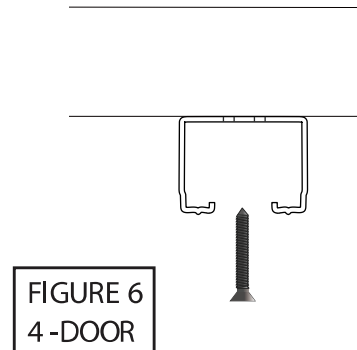
FIGURE 5  
Upper Pivot Location

FIGURE 3  
Side View



## Step 2-Mount Track

Mount Track to header as shown below. From side to side, center the Track in the opening. Use 4 EA (max) Long Screws to mount each track. The Upper Pivot should be on the pivoting side of the opening.



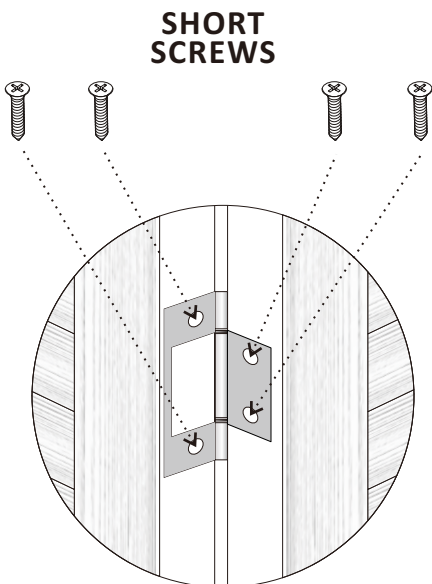
## Step 3-Mount Hinges

Lay Panels side by side on a flat, clean surface as shown in Figure 7. Push the Panels together and mount hinges in pre-drilled pilot holes. Mount Center Hinge at center of door as shown in Figure 8.

FIGURE 7

Note: Only use screws as shown in figures below and use only pre-drilled pilot holes.

FIGURE 8  
Attach Center Hinge



## Step 4-Fasten Mount Plates

Fasten Mount Plates as shown below. Mount plates according to the direction of door swing; right swing or left swing as shown in Figures 10 & 11 below. Install the short mount plate, spring pivot and bottom pivot correctly in the pre-drilled positions.

Note: The distance from the center of the short mount plate to the end of the door panel should be 1 1/2", the same as the distance from the center of the spring pivot to the end of the door.

FIGURE 10 - Right Swing

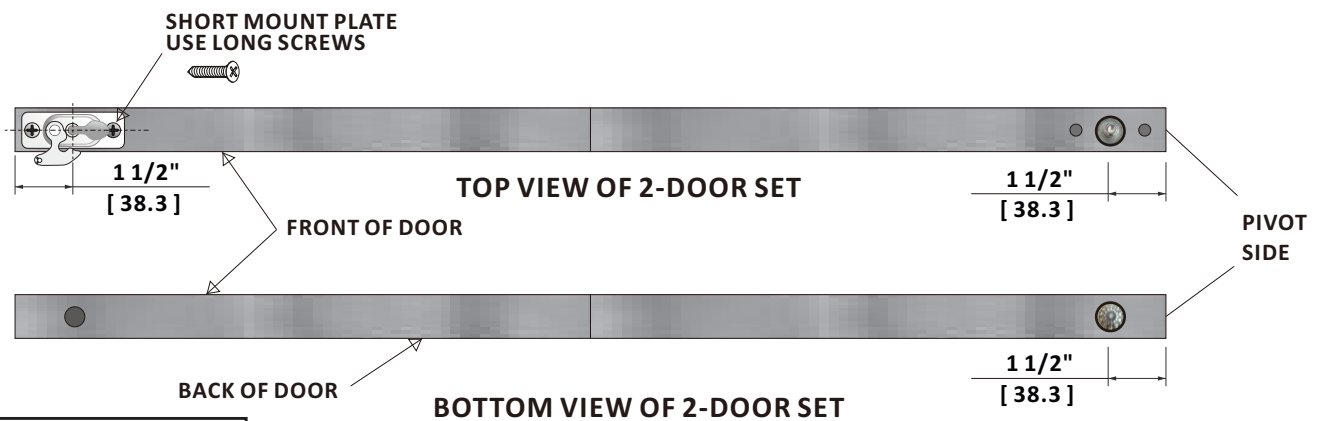
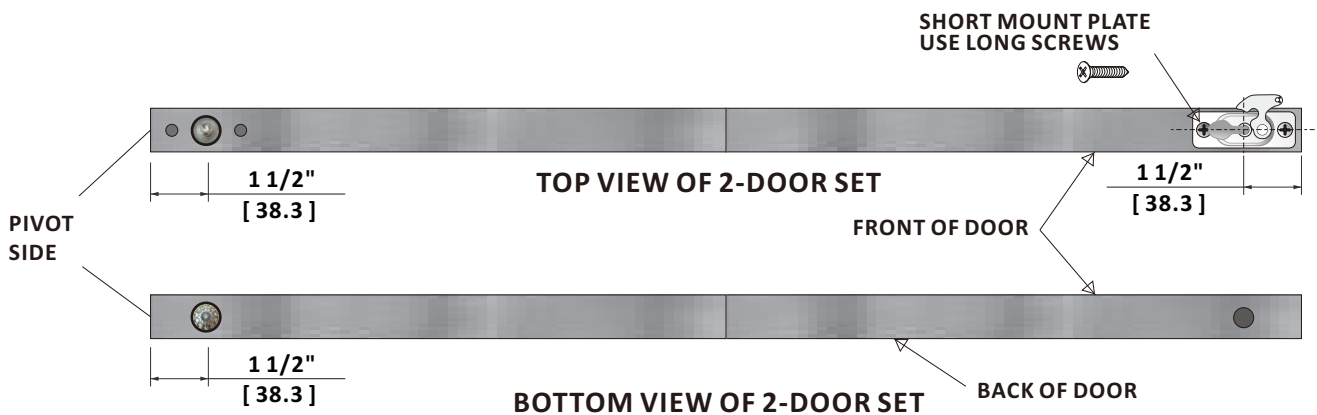


FIGURE 11 - Left Swing



## Step 5-Hang Doors by Inserting Bolts into Mount Plates

As shown in Figures 13 & 14 below, insert the bolt in the roller into the Short Mount Plate and lock the nylon arm.

FIGURE 13  
Bolts Into  
Mount Plates

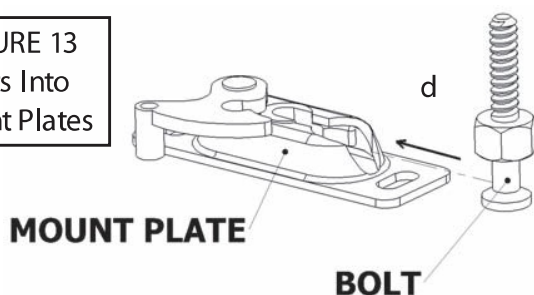
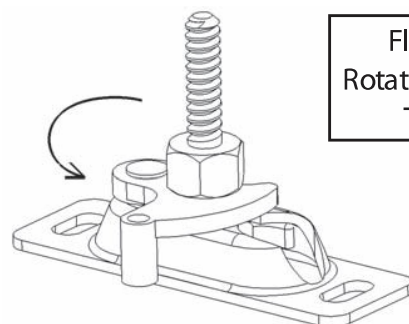


FIGURE 14  
Rotate Nylon Arm  
To Lock



## Step 6- Mount Lower Jamb Pivot

Position the jamb bracket and adjust it to the floor so that the center hole in the bracket is perpendicular to the hole in the top pivot bracket (on the track). Fasten Secure to the door frame on the opening side with the screws provided. Secure it to the door frame using the screws provided. It may be necessary to remove to ensure it is flush.

FIGURE 15  
Use Phillips  
Screwdriver To Adjust

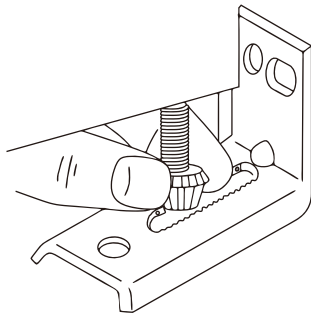
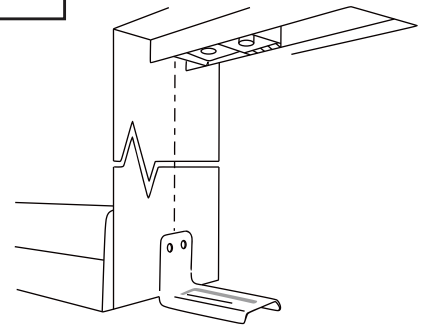


FIGURE 16  
Mount Lower  
Jamb Pivot

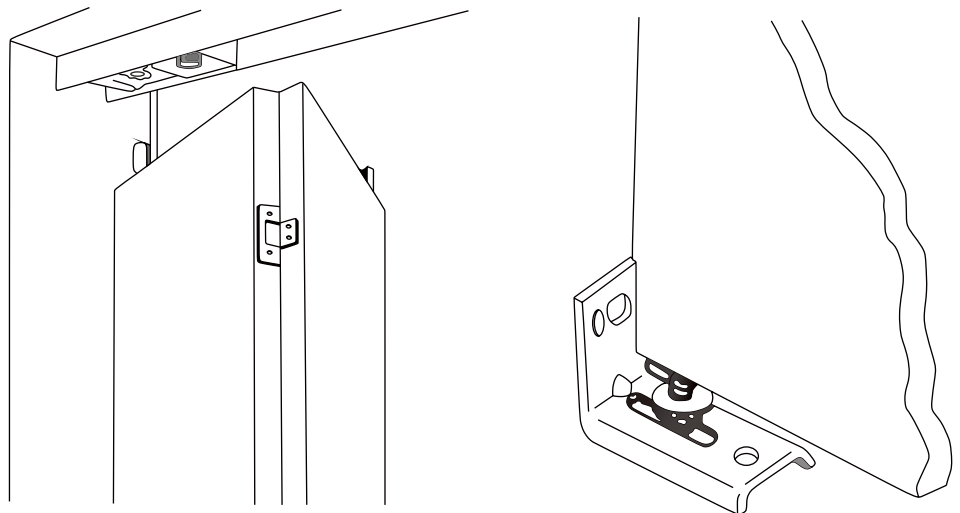


---

## Step 7- Install The Pivot Door Panel

Install the door by inserting the Universal pivot A into the upper pivot on the track. Lift the door and seat the Universal pivot B into the lower jamb pivot.

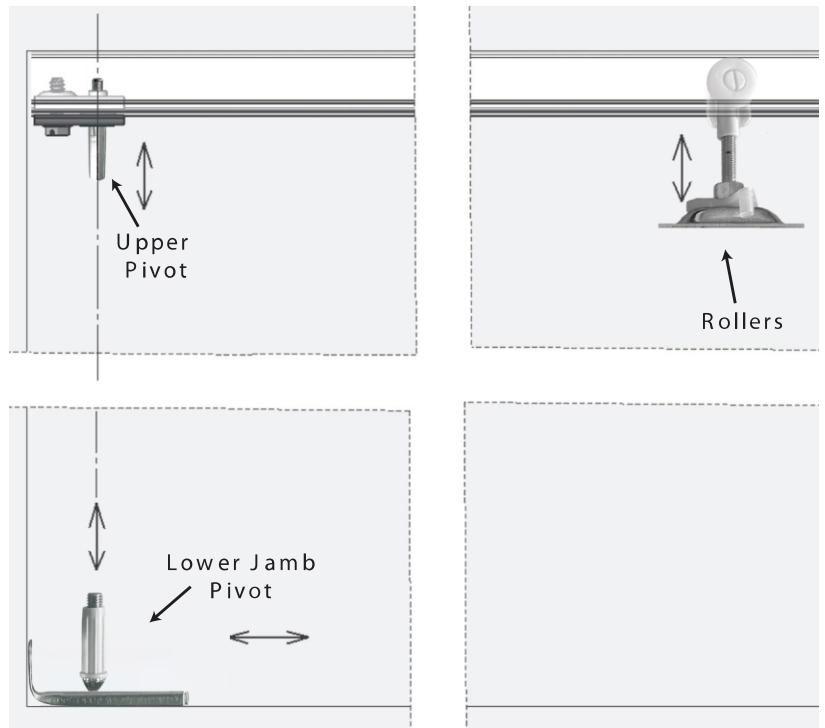
FIGURE 17  
Attach At Bottom Pivot



### Step 8- Check Operation, Make Adjustments

If necessary use the Wrench supplied to adjust the bolts in the Upper Pivot to assure the BiFold door set is hanging square in the opening. Lift the door and remove the lower pivot from the jamb holder. Rotate the bottom pivot, as necessary, to adjust to the appropriate height. Turn clockwise to lift the door; and in the opposite way to lower it. Do not attempt to rotate the pivot while it is placed on the jamb holder. Arrows in Figure 18 below show directions of adjustments.

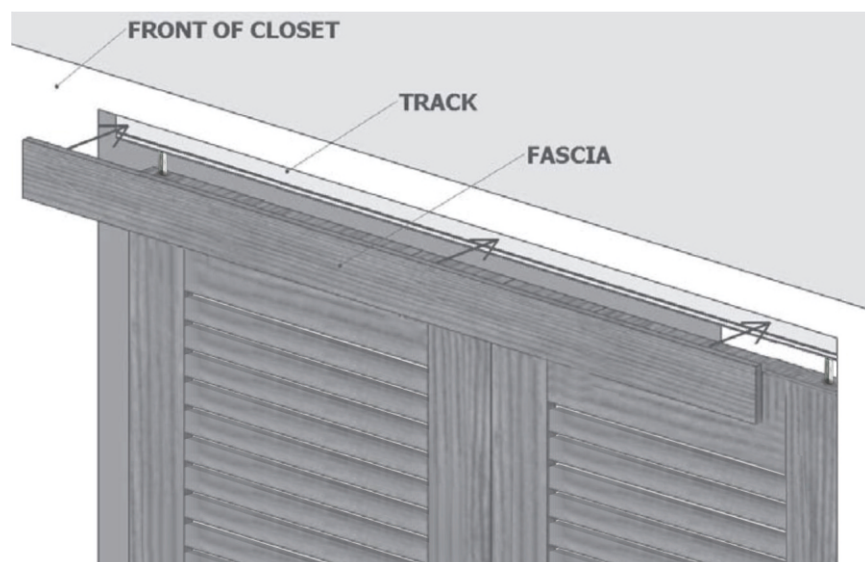
FIGURE 18  
Areas of  
Adjustment



### Step 9- Attach Fascia (& Fascia Block for 4-Door Installs )

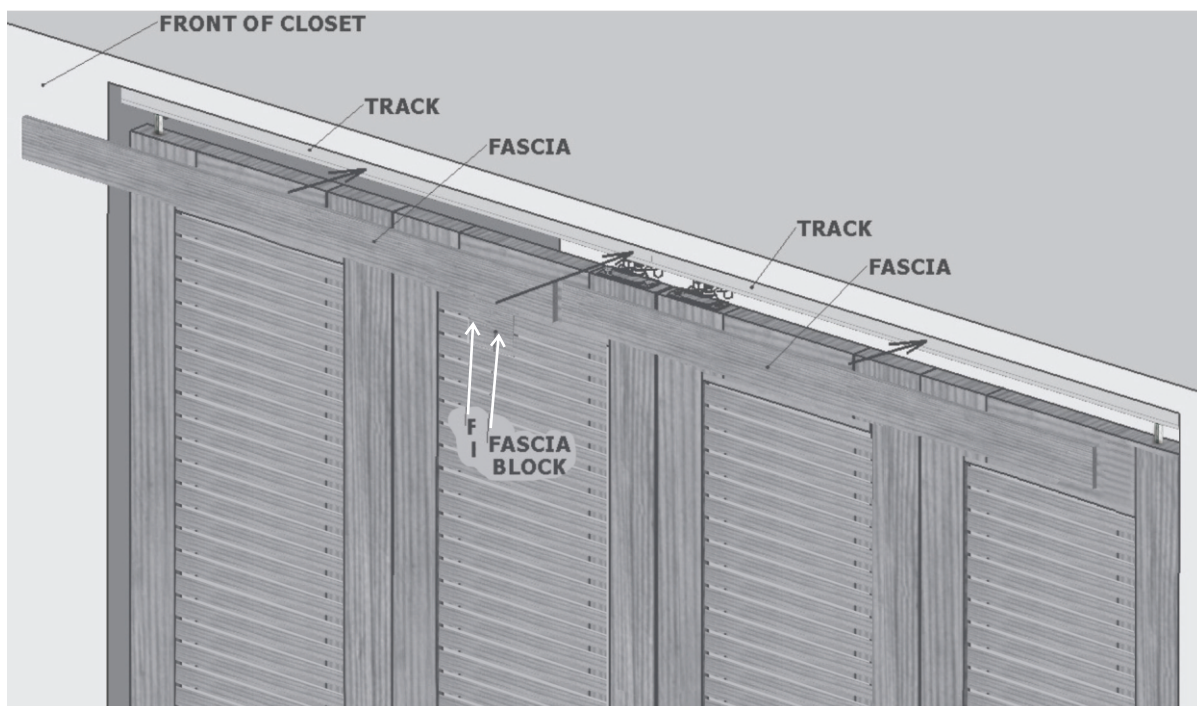
For 2-Door Installs : Attach Fascia to Track by removing the tape backing and pushing against track as shown in Figure 19. Cut Fascia to fit if necessary. (Cut with Fascia front up.)

FIGURE 19  
Attach 2-Door  
Fascia



**For 4-Door Installs:** Attach each Fascia to the upper corner of the Track by removing the tape backing and pushing against track as shown in Figure 20. Cut Fascia s if necessary. (Cut with Fascia front up.) Place Fascia Block over the gap at the center of the opening.

**FIGURE 20**  
Attach 4-Door  
Fascia



### Step 10-Attach The Pull

Attach the Pull to the inside stile of the non-pivoting door panel as shown in Figure 1. Drill a 3/16"(5mm) diameter hole 36" from the bottom of the door and 1 1/2" from the vertical edge of the stile as shown in Figure 1. Attach the Pull with the Machine Screw as shown in Figure 21 below. Note: It is best to drill from the front of the door to the back.

**FIGURE 21**  
Attach Pull

