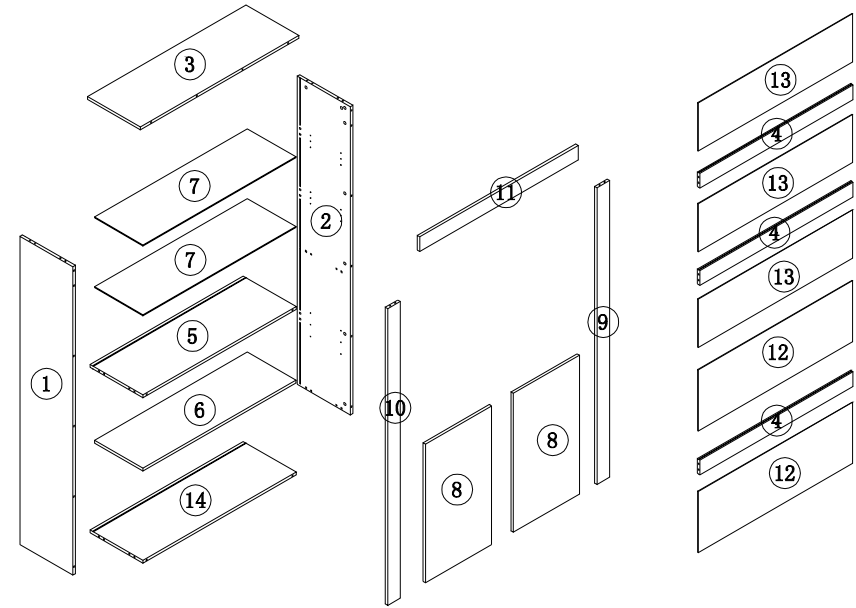
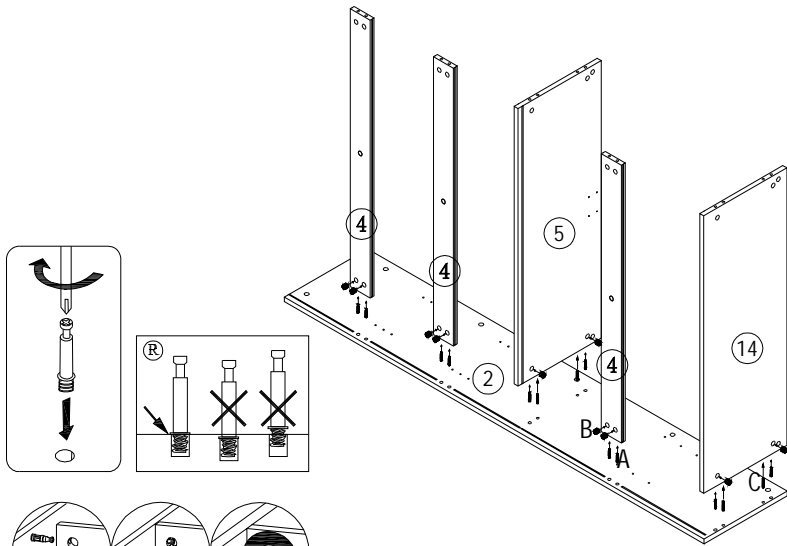


A 44PCS	B 44PCS	C 16PCS
D 48PCS	E 4PCS	F 4PCS
G 4PCS	H 2PCS	I 4PCS
J 20PCS	K 1SET	

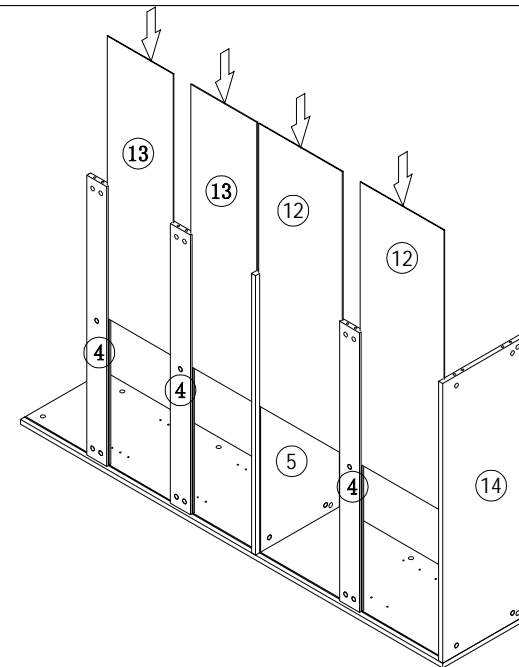


1

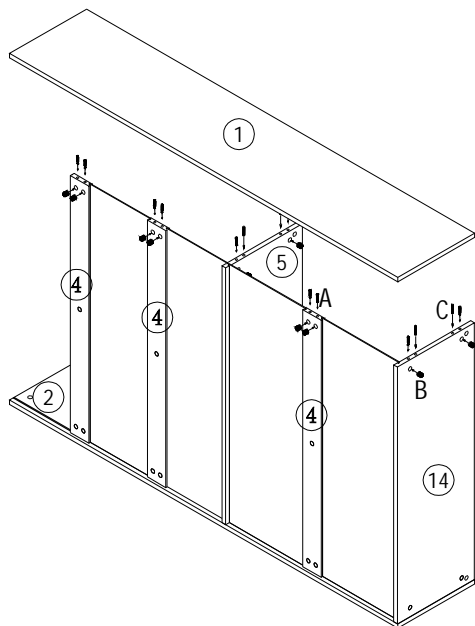


A	10PCS
B	10PCS
C	4PCS

2

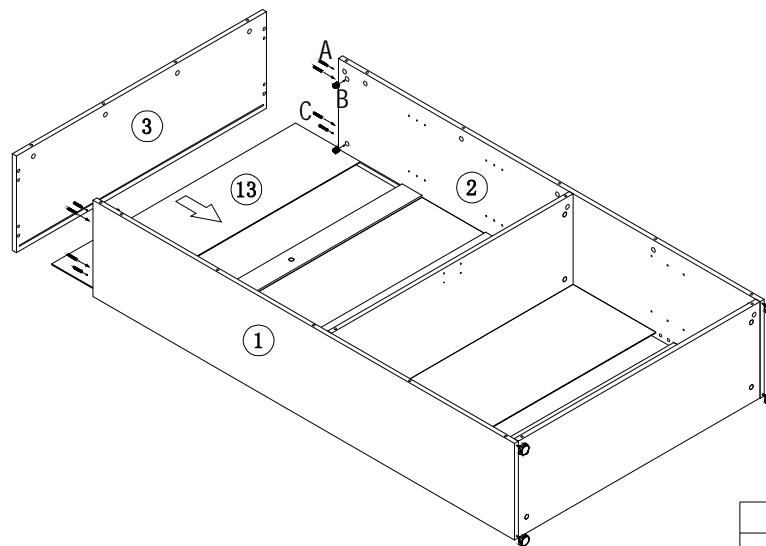


3



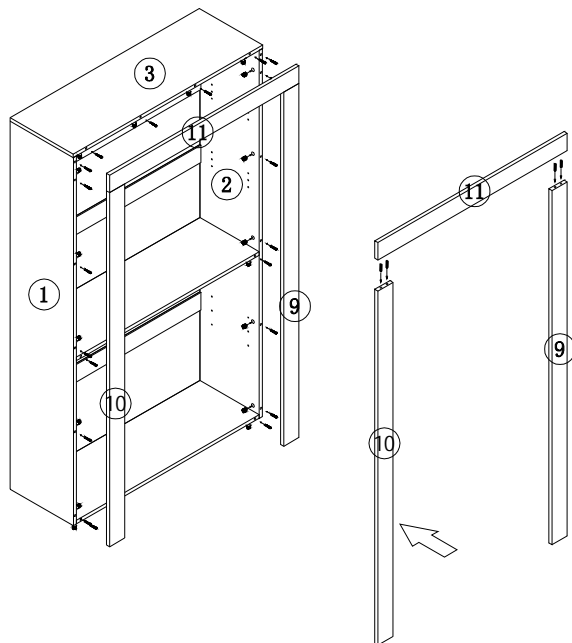
A	10PCS
B	10PCS
C	4PCS

4



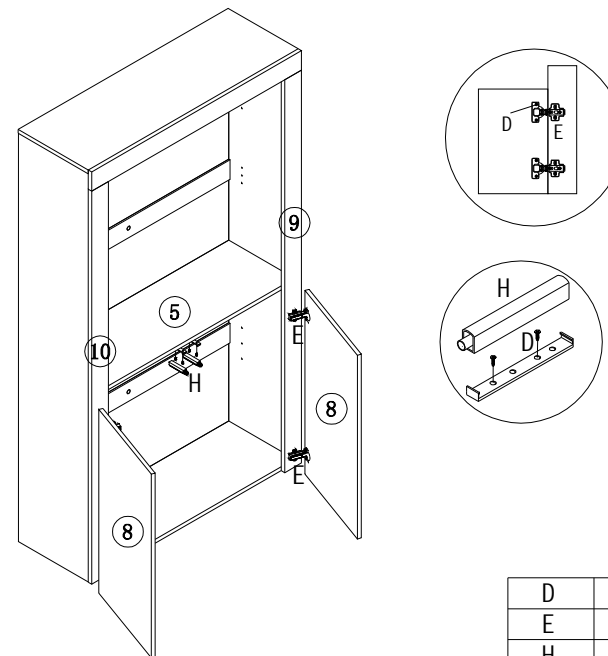
A	4PCS
B	4PCS
C	4PCS
I	4PCS

5



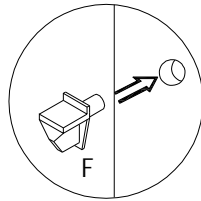
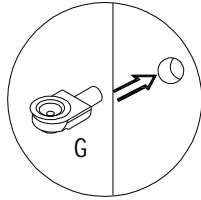
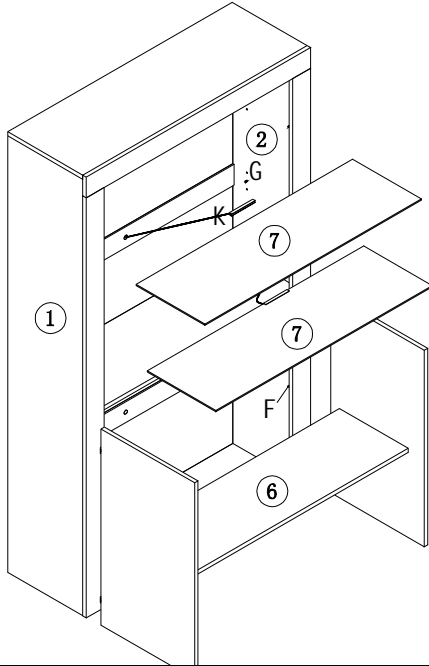
A	20PCS
B	20PCS
C	4PCS

6



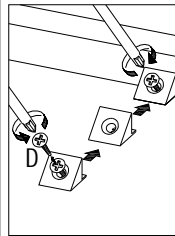
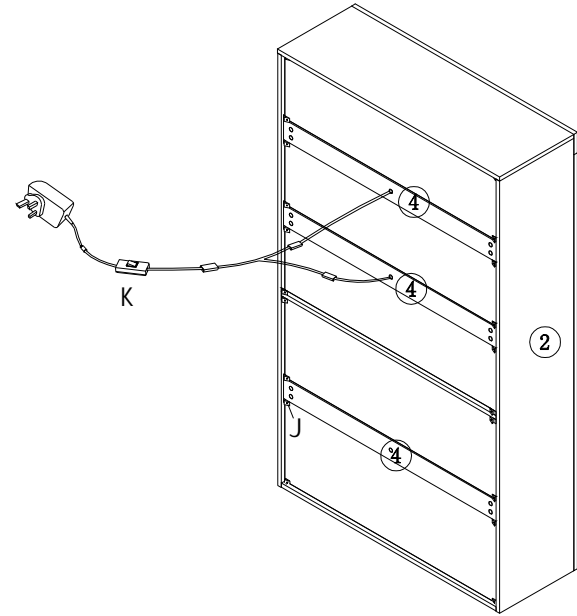
D	28PCS
E	4PCS
H	2PCS

7



F	4PCS
G	8PCS
K	1SET

8



D	20PCS
J	20PCS
K	1SET

9

