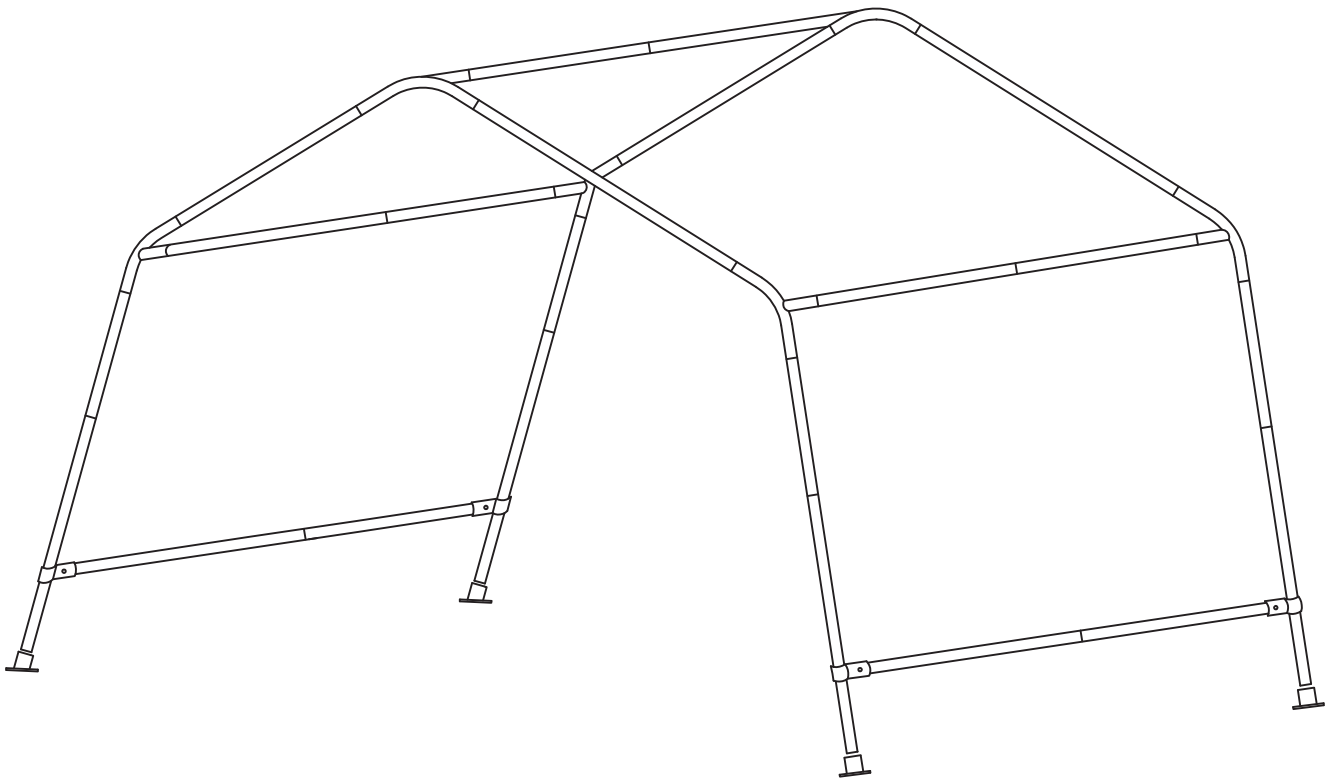


ASSEMBLY INSTRUCTIONS

OUTDOOR STORAGE SHED BIKE CARPORT

SKU: T-PS23-0167



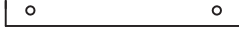
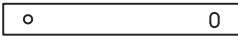
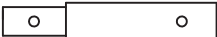

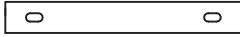










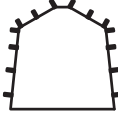


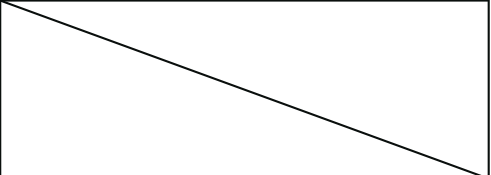


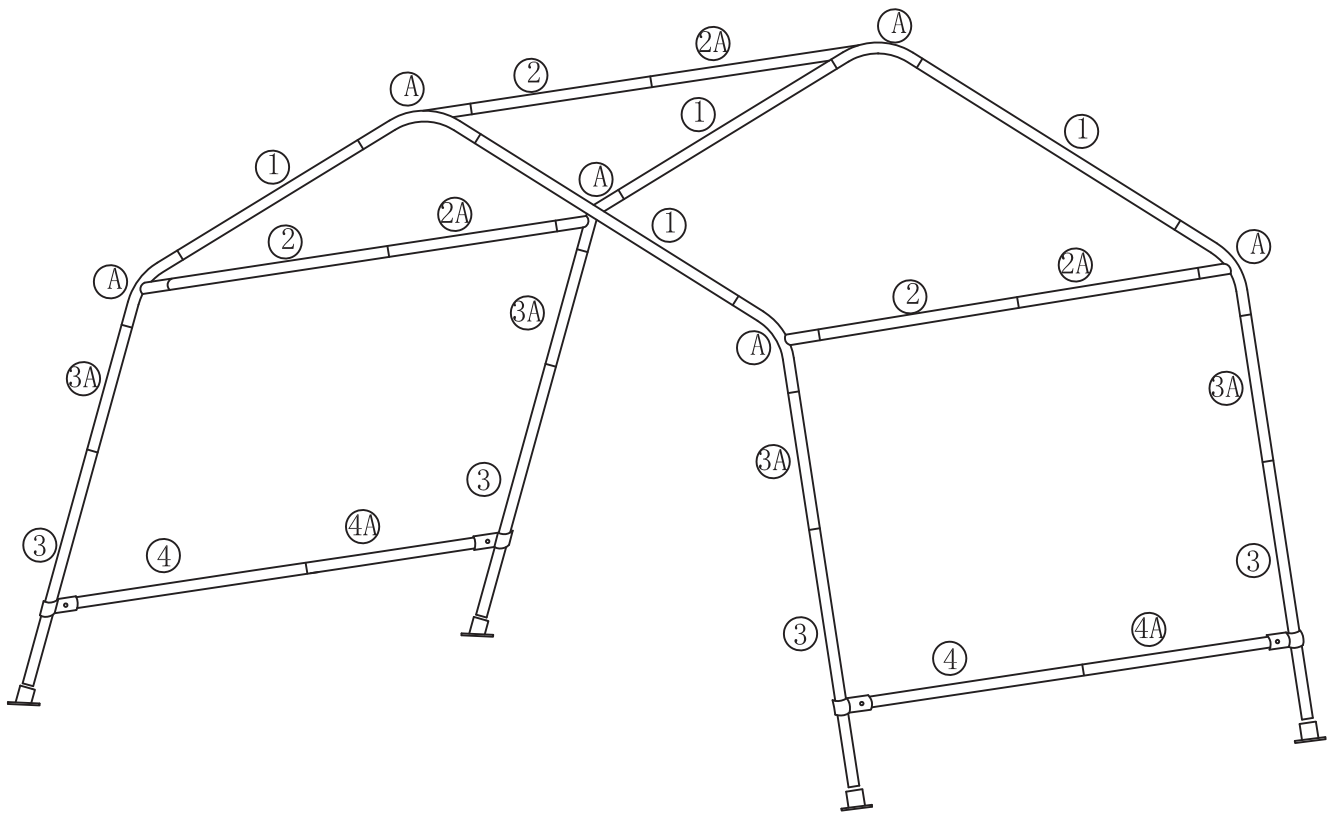
E-mail:
hofficeservice@gmail.com



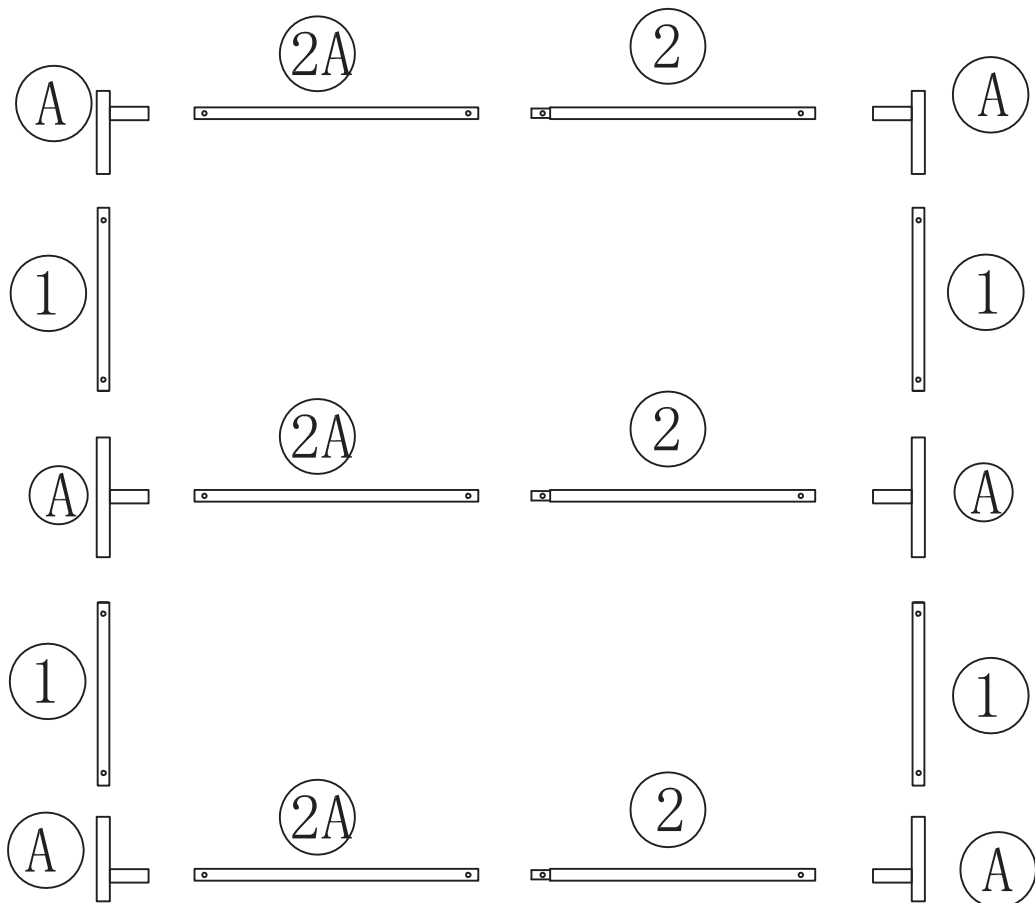
Please read the instructions
carefully before installing the
product.

PARTS

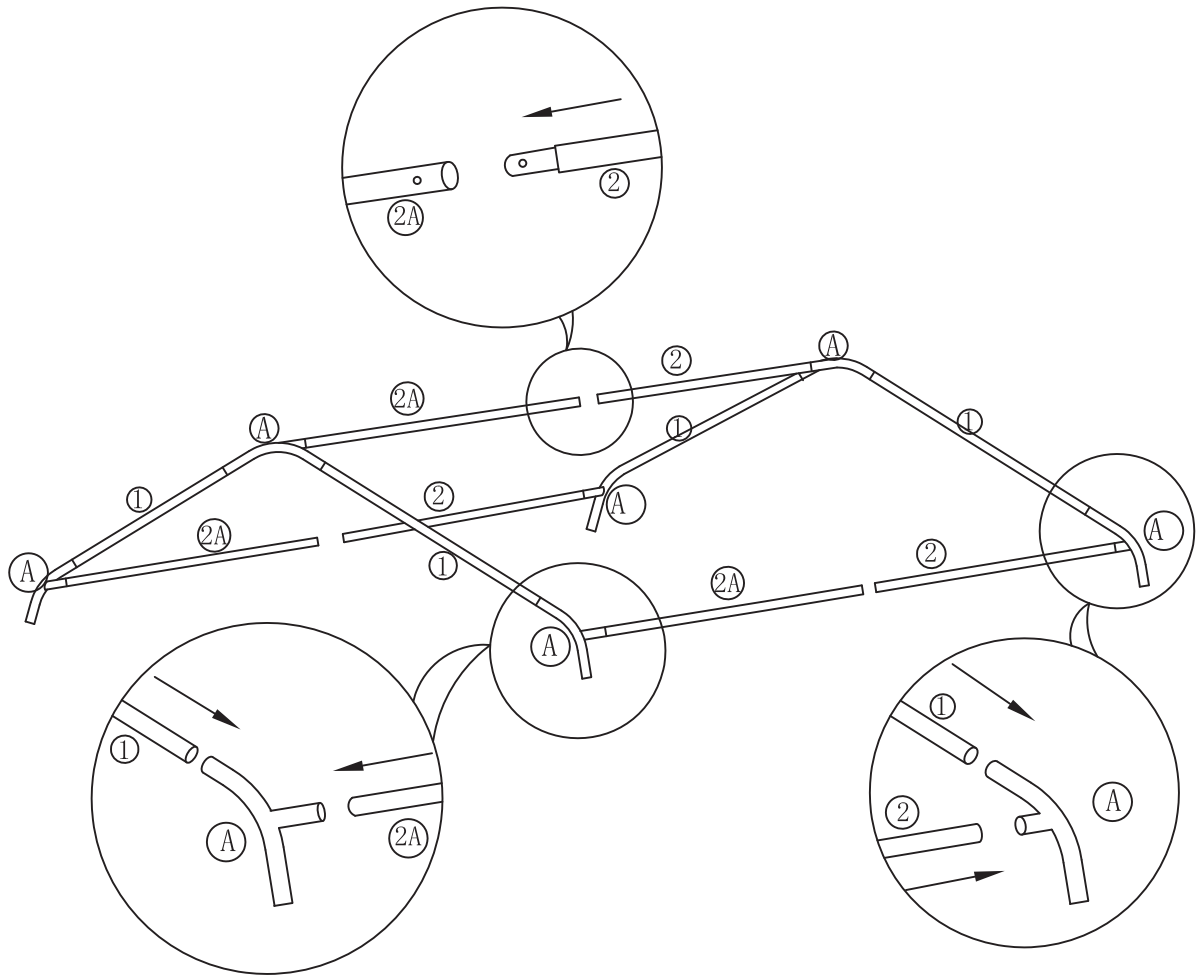
 <p>1 X4</p>	 <p>2 X3</p>	 <p>2A X3</p>
 <p>3 X4</p>	 <p>3A X4</p>	 <p>4X2</p>
 <p>4A X2</p>	 <p>A X6</p>	 <p>C X4</p>
 <p>D X8</p>	 <p>ϕ 5*250mm</p> <p>E X4</p>	 <p>F# X28</p>
 <p>M6X40</p> <p>H X4</p>	 <p>ϕ4.8</p> <p>I X8</p>	 <p>ϕ5</p> <p>J X4</p>
 <p>K X1</p>	 <p>K1 X1</p>	 <p>K2 X1</p>
 <p>M8X45</p> <p>M X4</p>	 <p>M8/M6</p> <p>X2</p>	



STEP 1

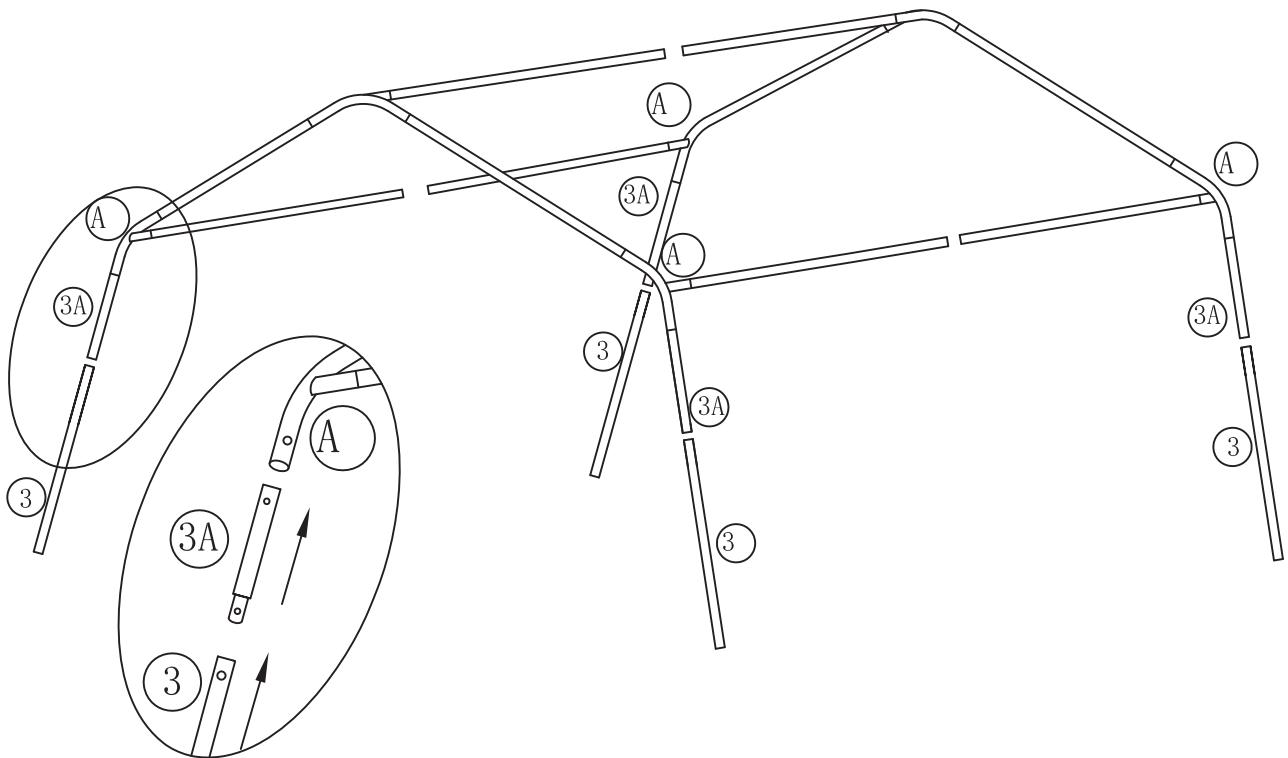


STEP 2

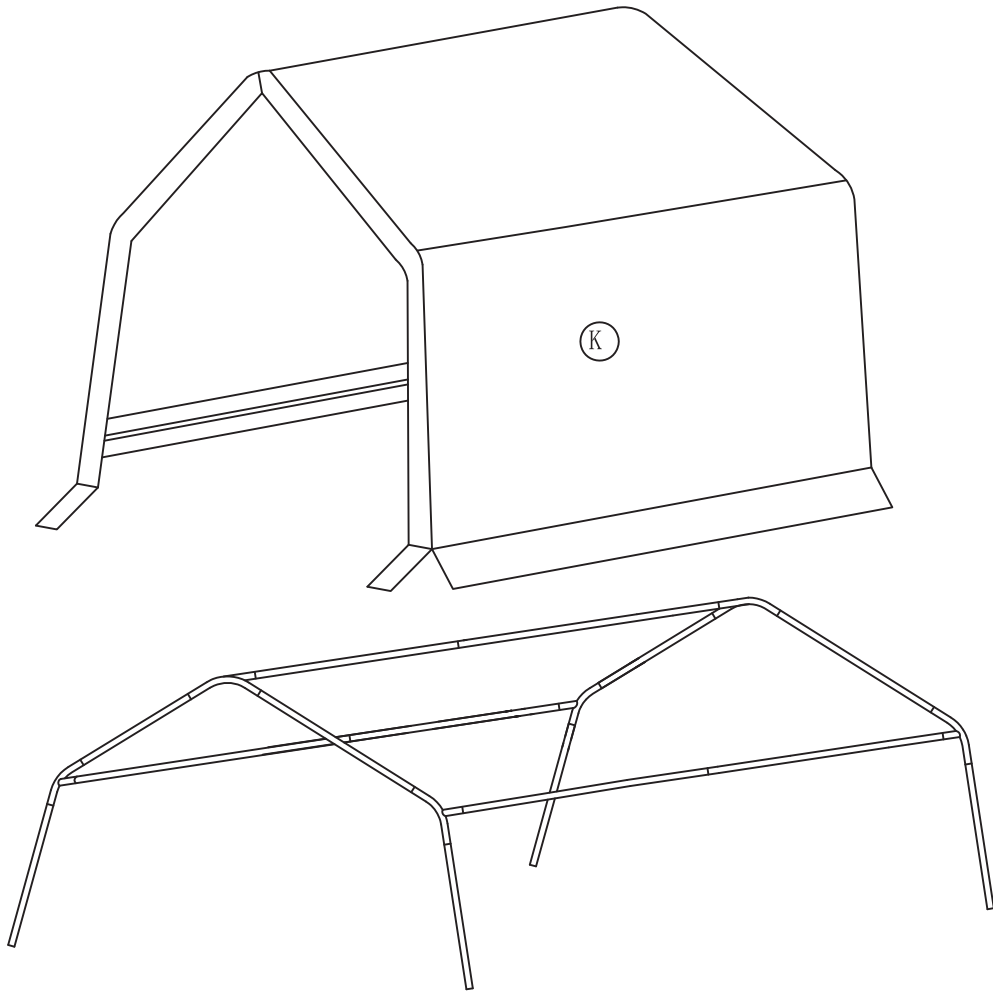


STEP 3

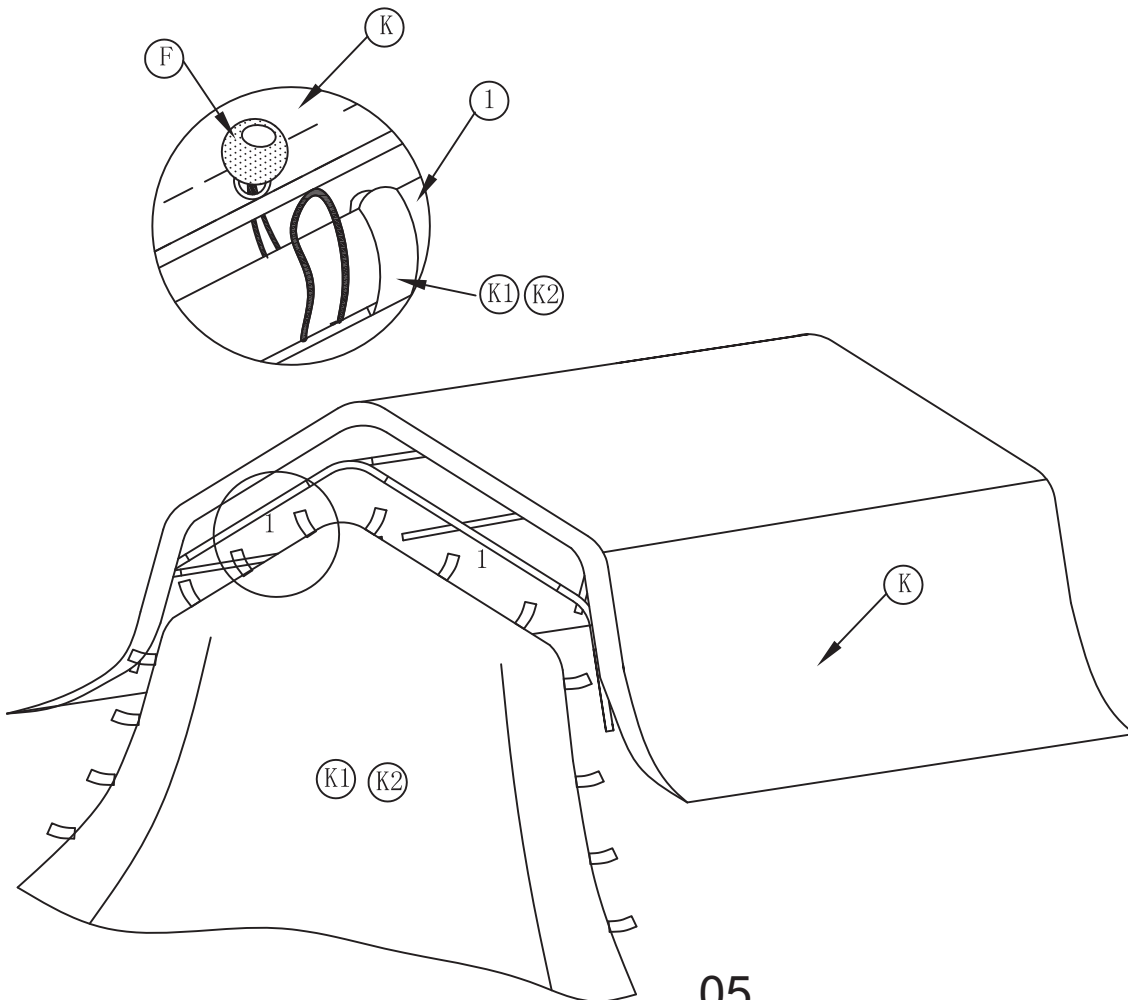
Tips: Please pay attention to the direction of tube connection, do not reverse the connection.



STEP 4

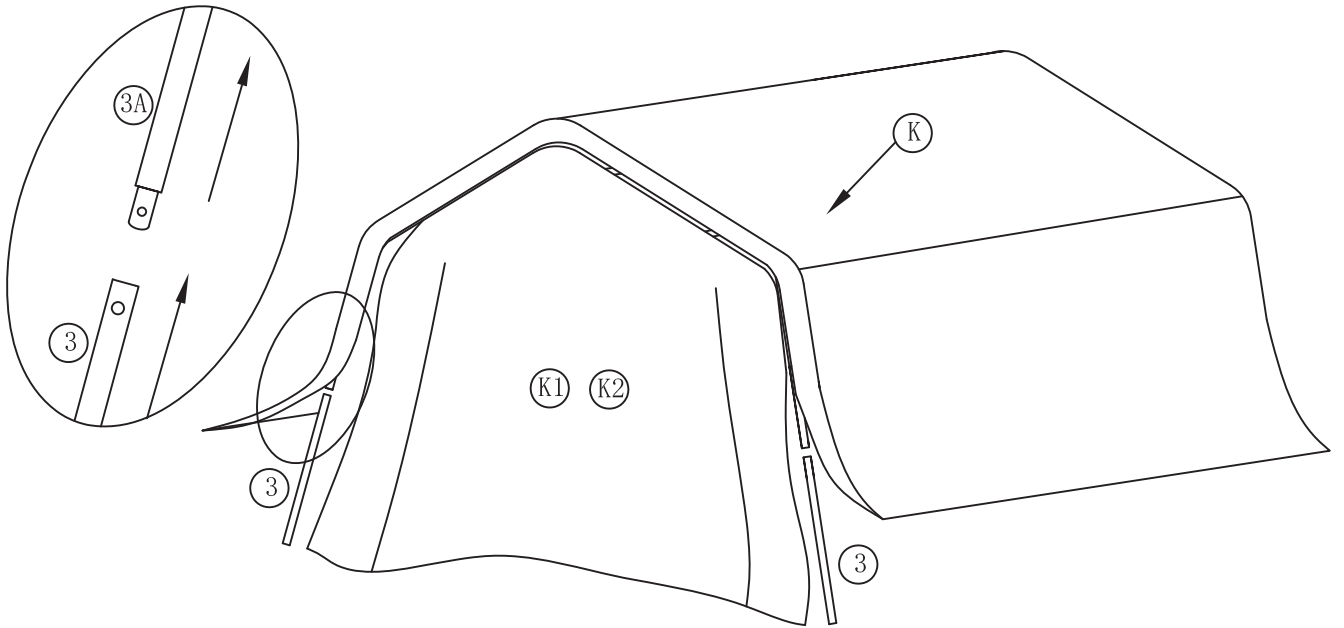


STEP 5

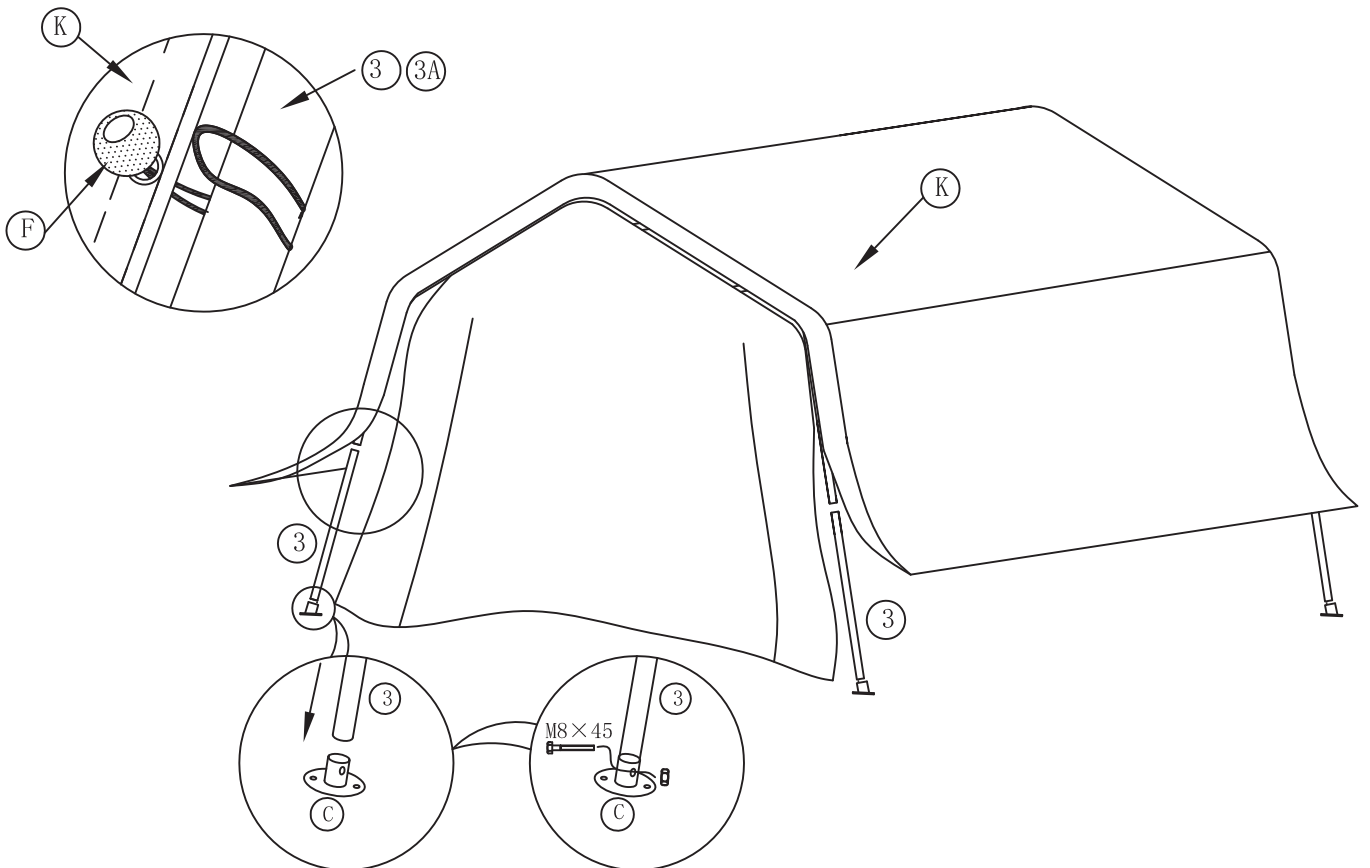


STEP 6

Tips: Please pay attention to the direction of tube connection, do not reverse the connection.

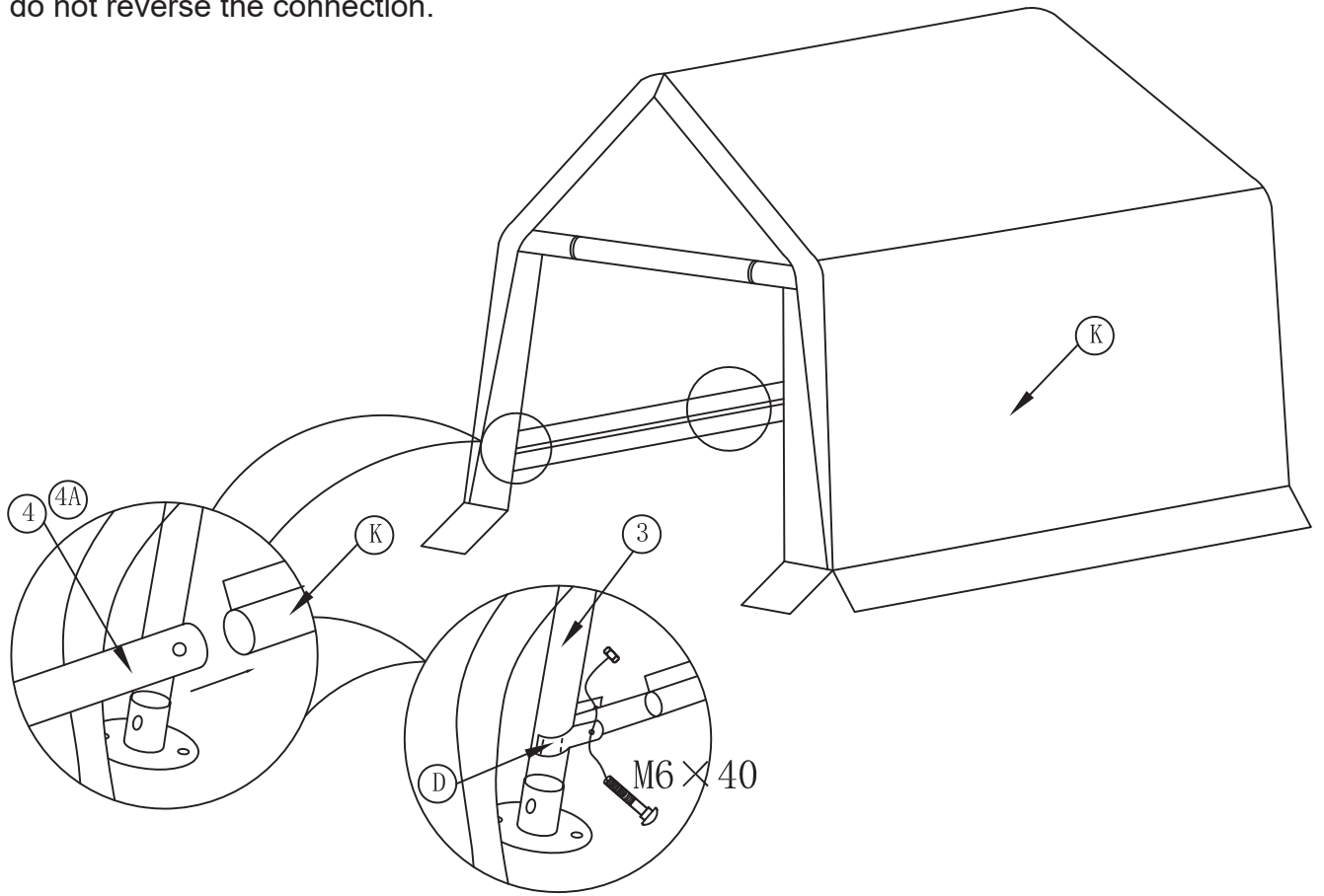


STEP 7

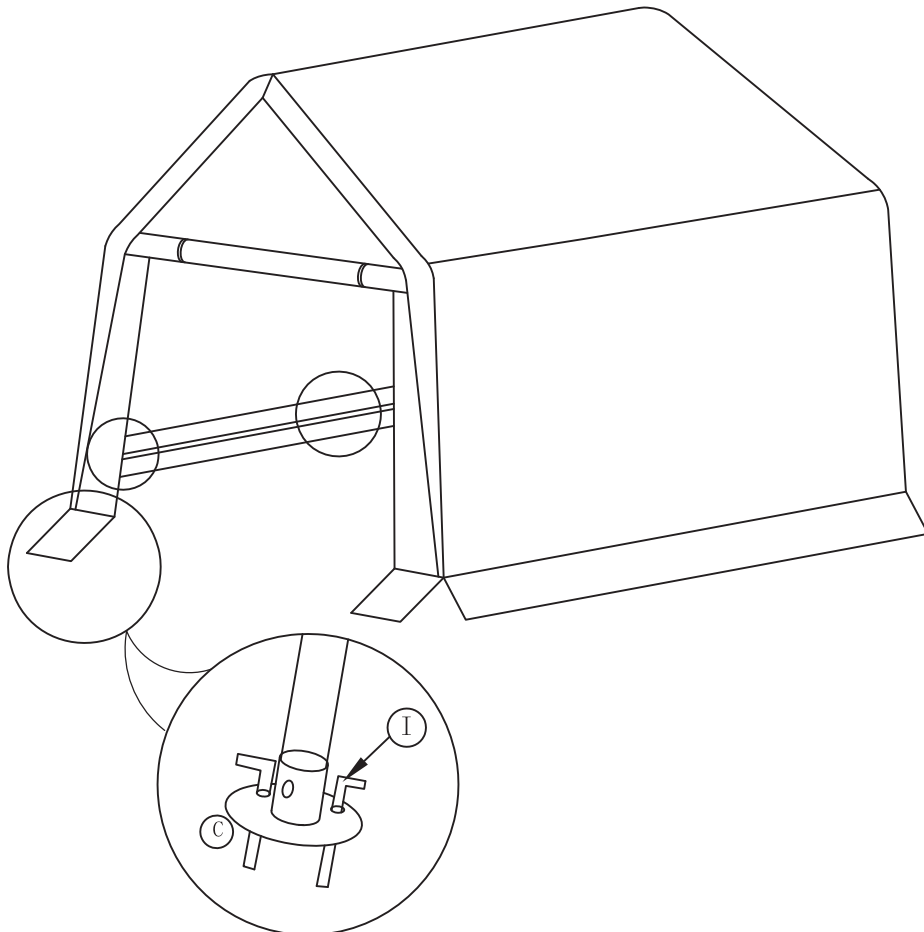


STEP 8

Tips: Please pay attention to the direction of tube connection, do not reverse the connection.



STEP 9



STEP 10

