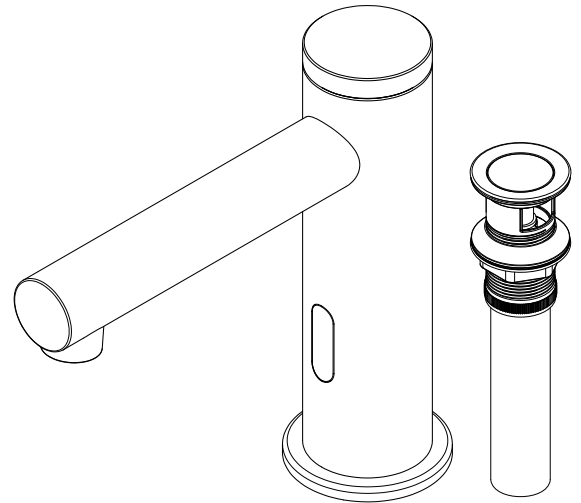


**Features**

- Activation Mechanism: Activated by an infrared sensor (Touchless operation)
- Power Supply: Dual power options available:  
DC Model: 6V (4 x 1.5V AA size Alkaline batteries)  
AC Model: 100V-240V, 50/60Hz
- Battery Durability: Approx. 109,500 cycles (Estimated 1.5 years at 200 uses/day)
- Sensing Range: 5 - 30 cm
- Operating Pressure:  
Recommended: 1.0 - 4.0 Bar (0.1 - 0.4 MPa) | Maximum: 0.5 - 8.0 Bar (0.05 - 0.8 MPa)
- Operating Water Temperature: 1°C - 45°C
- Safety Feature: Automatic start and stop with a maximum continuous flow duration of 60 seconds (Anti-overflow protection)
- Size of Inlet Connection: 9/16 NPSM
- Pop-up drain included.



**Flow Rate**

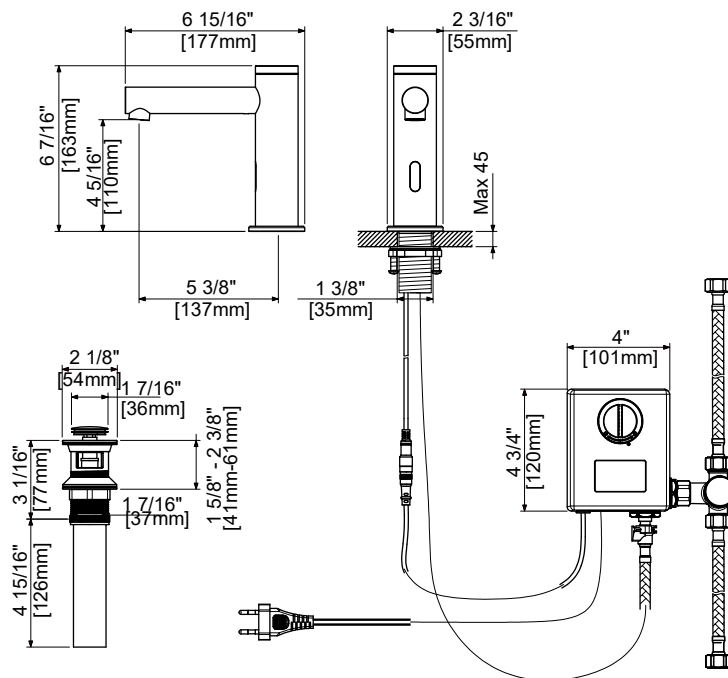
- 1.2 gpm at 60 psi

**Finish**

- CH (Chrome)
- BN (Brushed Nickel)
- MB (Plating Matte Black)
- BG (PVD Brushed Gold)
- BB (PVD Brushed Brass)

**Warranty**

- Limited Lifetime Faucet Warranty against material and manufacturing defects for residential use.
- 1 Year Limited Warranty on all industrial, commercial and business applications.



Note: All product dimensions are nominal.

