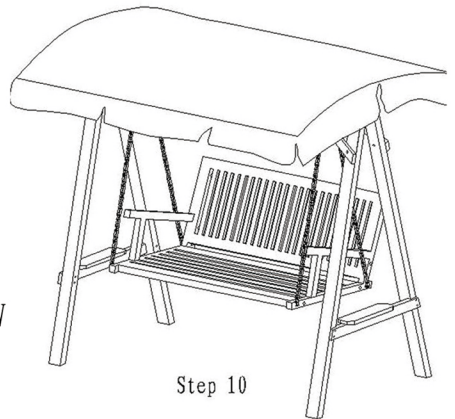
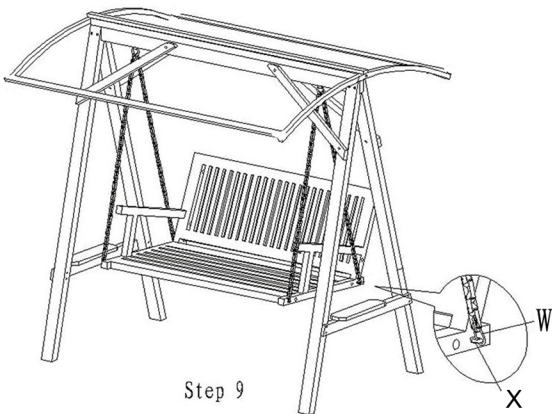
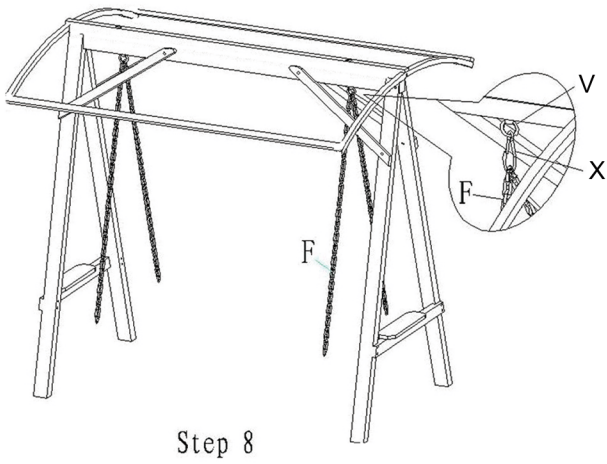
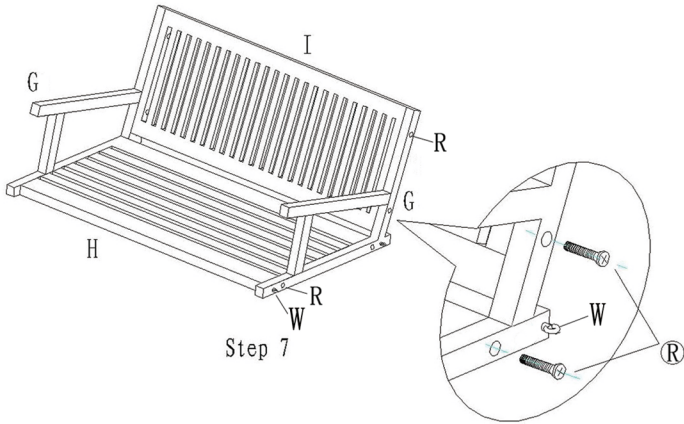


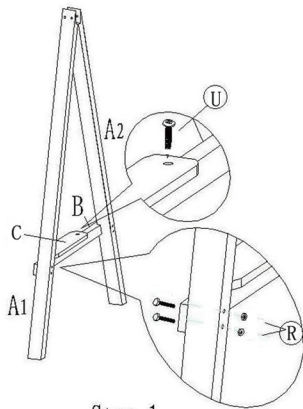
Please read these instructions and warranty information carefully before use and keep them properly for future reference.

OPERATING INSTRUCTIONS

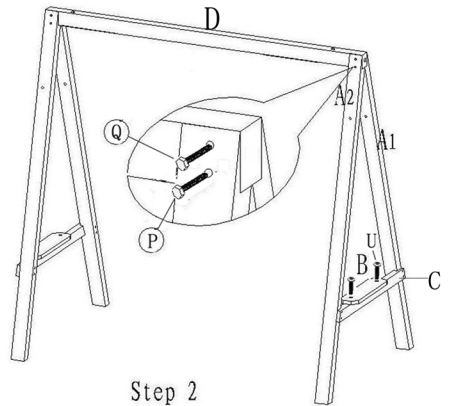
Assembly Instructions



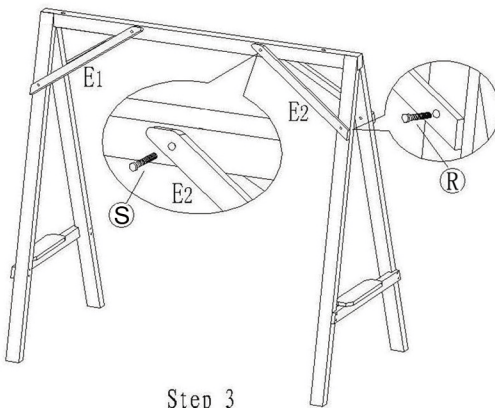
Assembly Instructions



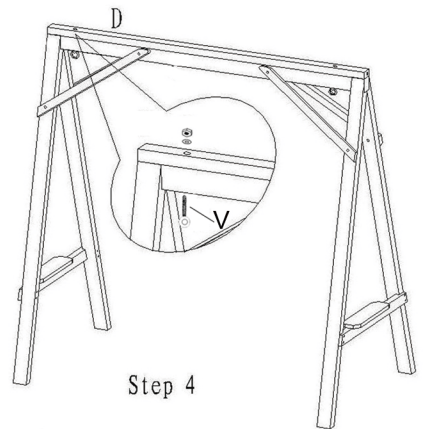
Step 1



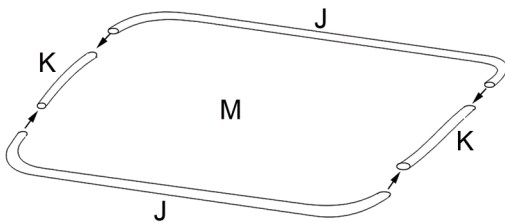
Step 2



Step 3



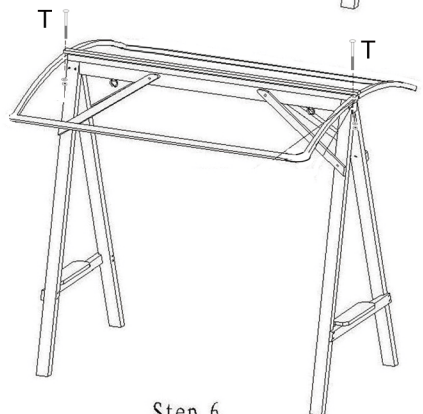
Step 4



Fit J and K with the cover M, then install J with K as shown in picture.

Stecken Sie bitte J und K entsprechend ins M und dann befestigen Sie J mit K wie in Abb..

Monter J et K travers le couvercle M, puis installez J et K comme indiqué dans l'image.



Step 6

Part List

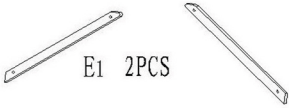
 A1 2PCS

 A2 2PCS

 B 2PCS

 C 2PCS

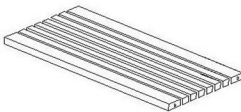
 D 1PC

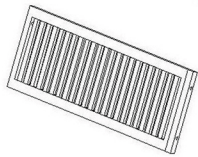
 E1 2PCS

 E2 2PCS

 F 4PCS

 G 2PCS


 H 1PC


 I 1PC


 J 2PCS

 K 2PCS

 M 1PC


 P M10*160MM 2PCS


 Q M10*140MM 2PCS


 R M10*100MM 20PCS

 S M10*120MM 2PCS

 T M6*110MM 2PCS

 U M6*30MM 4PCS


 V M10*90MM 2PCS

 W M10*50MM 4PCS

 X 6PCS

 Y 2PCS

 Z 1PCS

 AA 1PCS