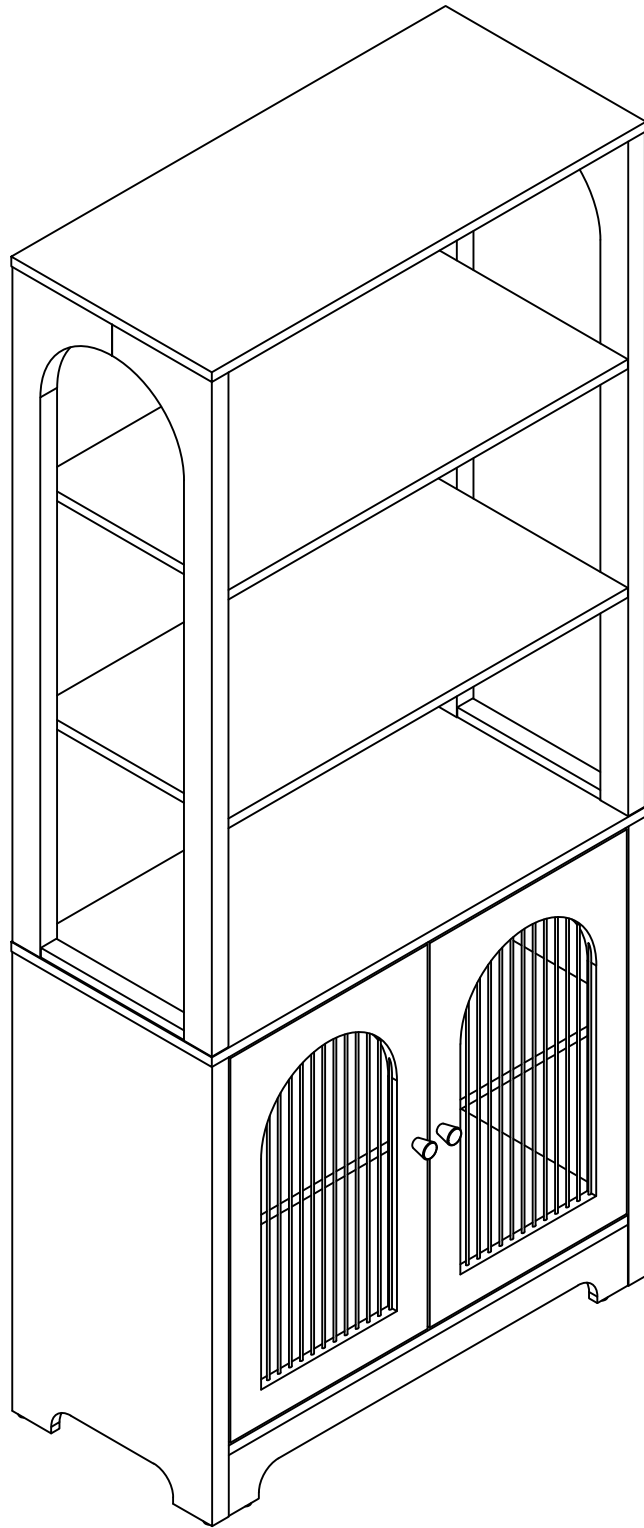


Installation Instruction



Assembling

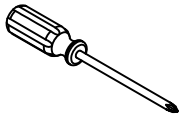
Estimated time for assembly



45 : 00

What you need

- Use the packaging carton as a working surface to prevent product damage during assembly
- Phillips head screwdriver



Weight Limitation

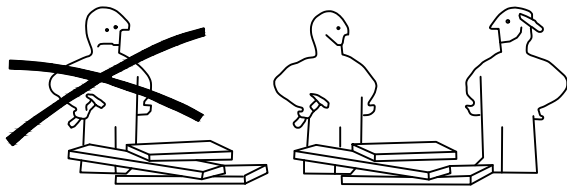


100

lbs table top

35

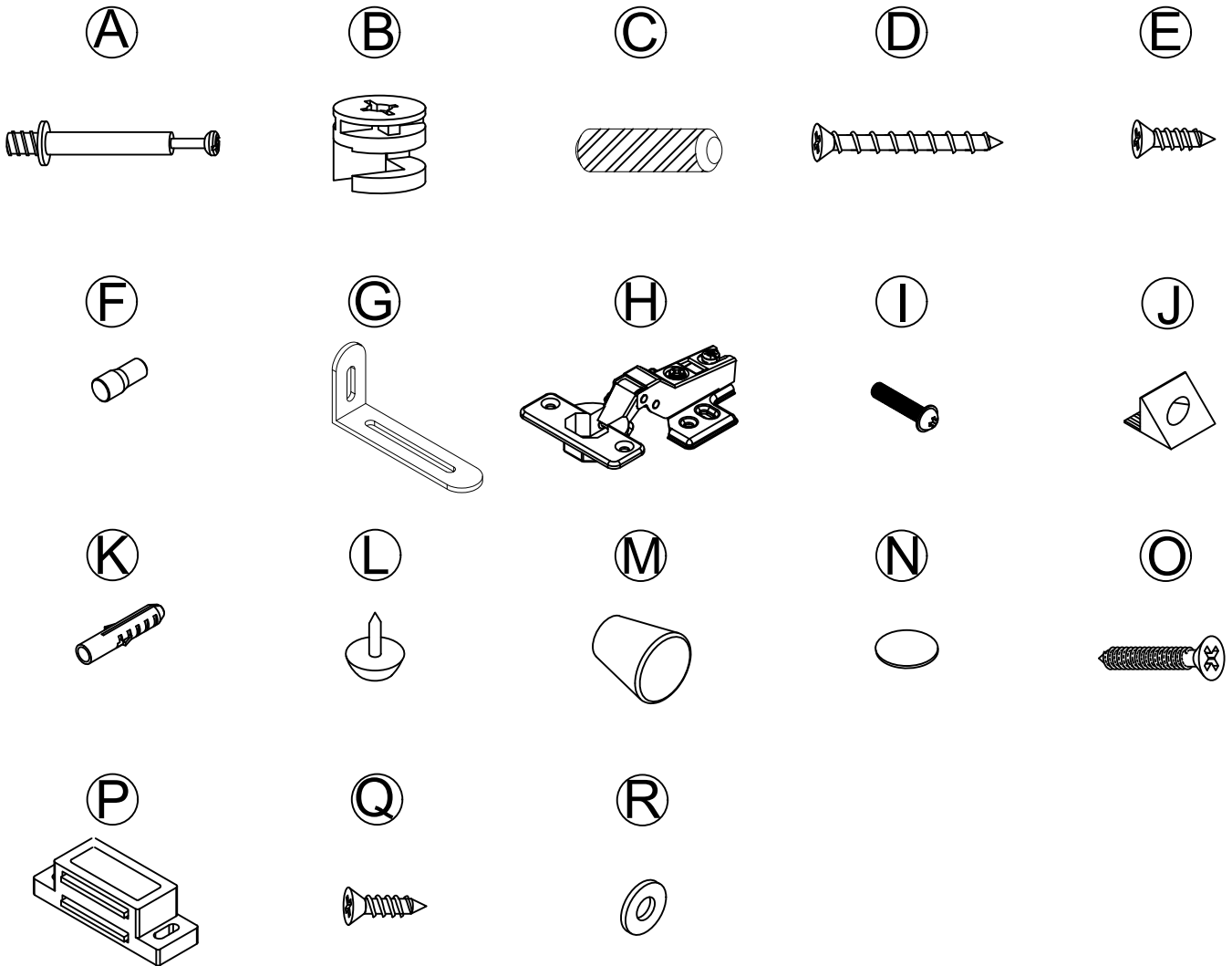
lbs per



What' included

Code	Description	Qty
A	Cam Bolt M6X35MM	42
B	Cam Lock 15X10MM	42
C	Wooden Dowel M8X30MM	28
D	Screw M4X40MM	6
E	The screw M3.5X14MM	54
F	Shelf Holder	4
G	NMetal connector	2
H	Shelf Holder	4
I	Cam Bolt M4X20MM	2
J	The back button	28
K	Anchor	2
L	MATS	8
M	Metal shake handhandle	2
N	Self-adhesive hole sticker	42
O	Screw M4X25MM	4
P	Iron absorption	1
Q	The screw M3.0X14MM	2
R	gasket	2

The Hardwares



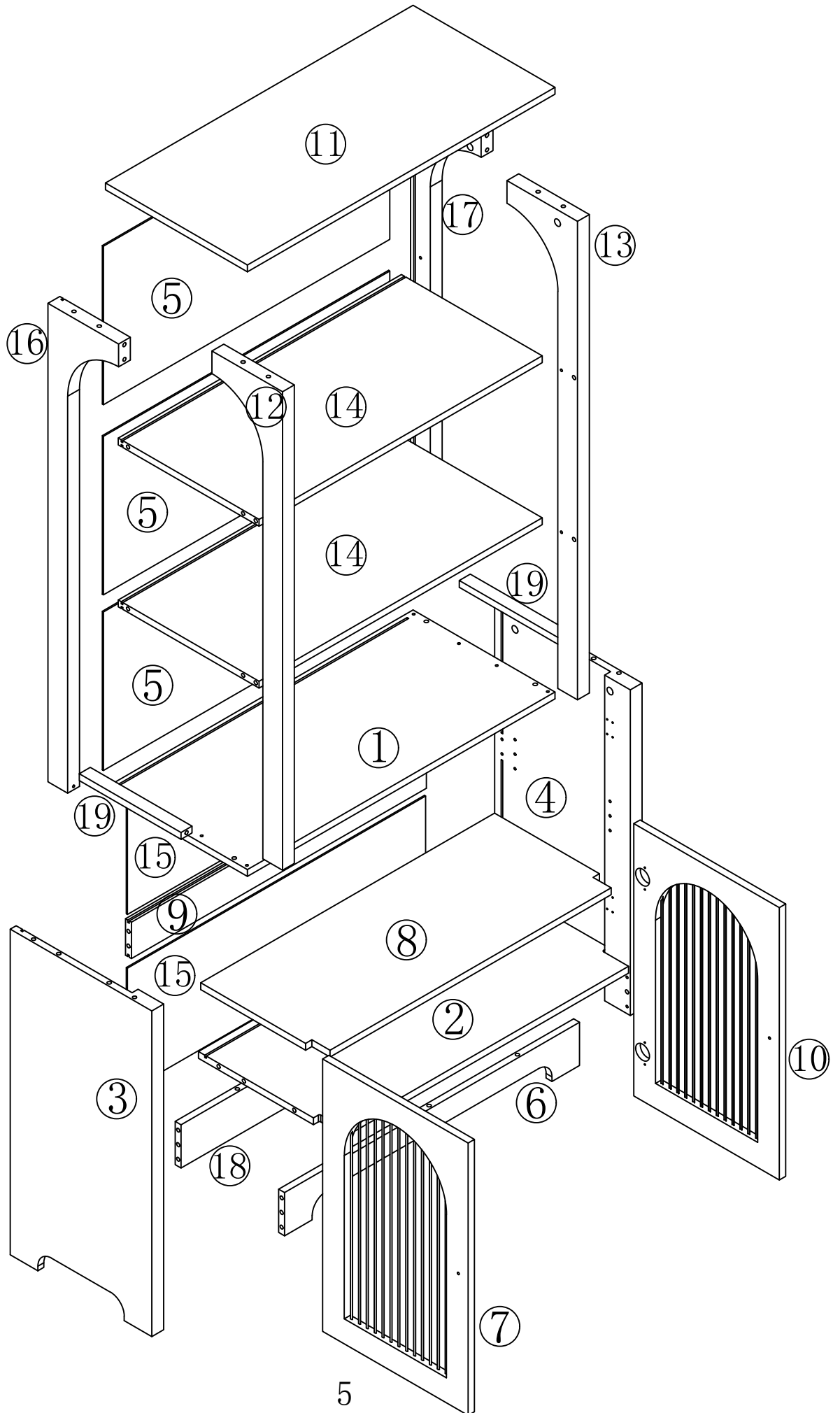
IMPORTANT:

1. Do not tighten bolts / screws completely until all bolts / screws are lined up and inserted into holes.
2. Do not over tighten screws and bolts to avoid stripping
3. Please use hand tools to assemble this product. Do not use power tools.

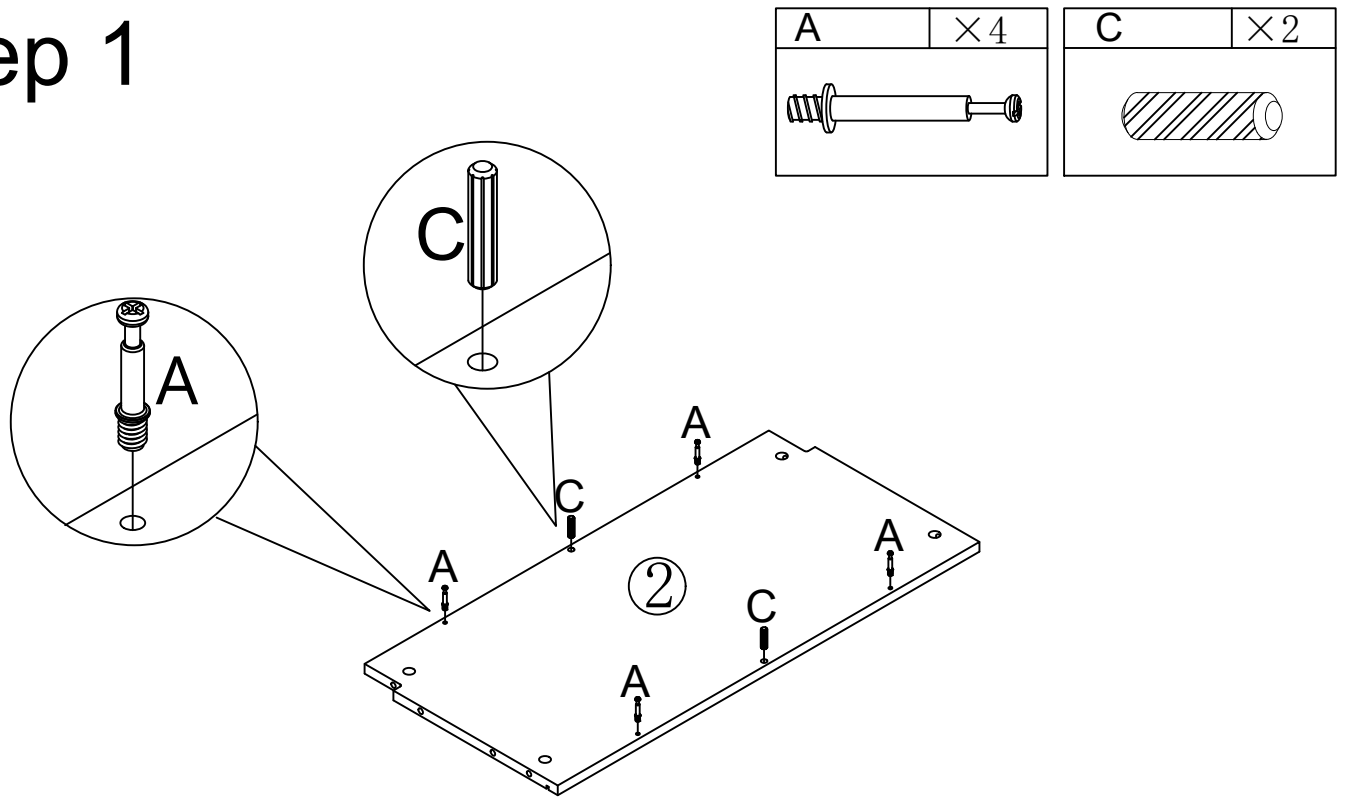
Included Accessories

Code	Description	Qty
1	Cabinet Top	1
2	Bottom Panel	1
3	Left Side Panel	1
4	Right Side Panel	1
5	On the rear panell	3
6	Bottom trim	1
7	Left door panel	1
8	Movable laminate	1
9	Back reinforcement plate	1
10	Right door panel	1
11	Top panel	1
12	Left front panel	1
13	Right front panel	1
14	Fixed laminate	2
15	On the rear panell	2
16	Left rear panel	1
17	Right rear panel	1
18	Floor support plate	1
19	Connecting plate	2

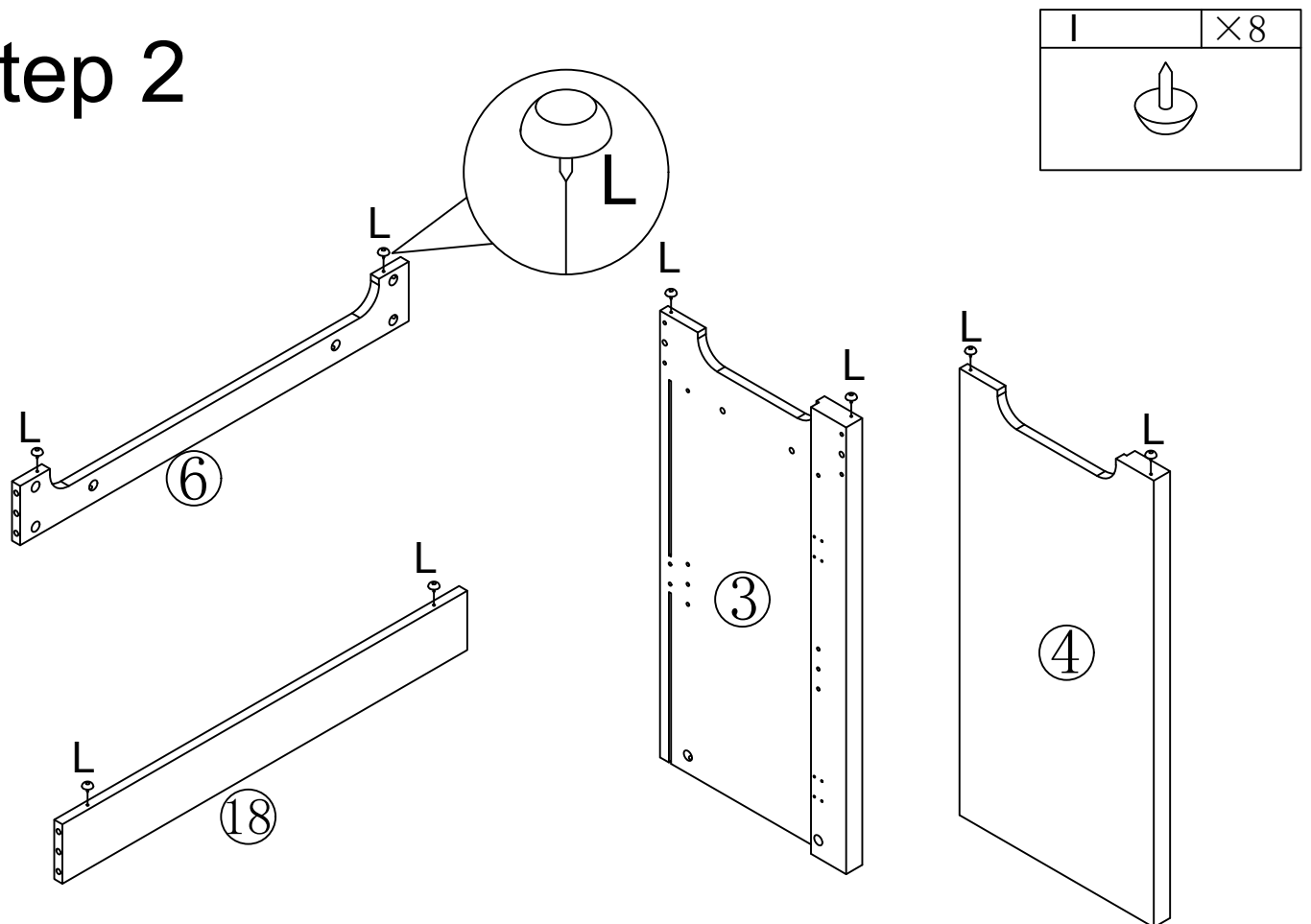
The Accessories





Step 1

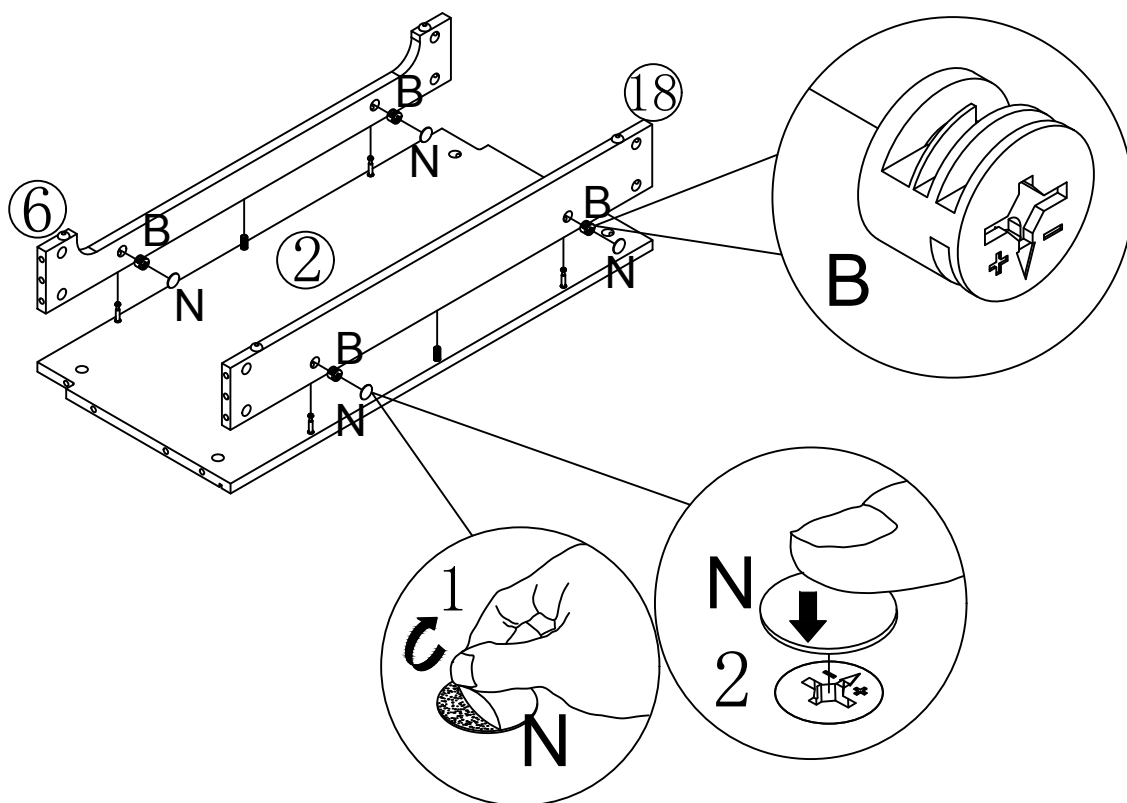


Step 2

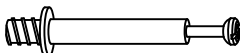


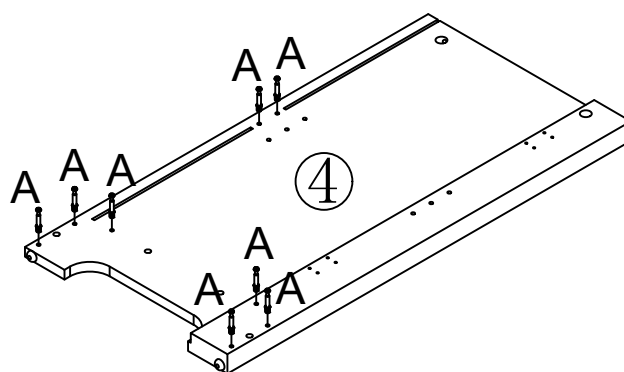
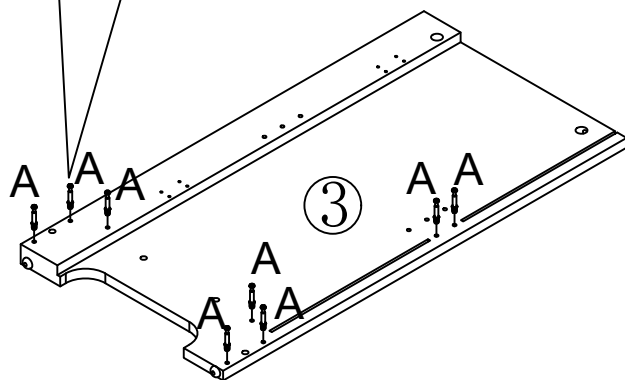
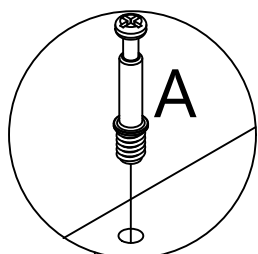
Step 3

B	×4	N	×4
			

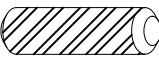




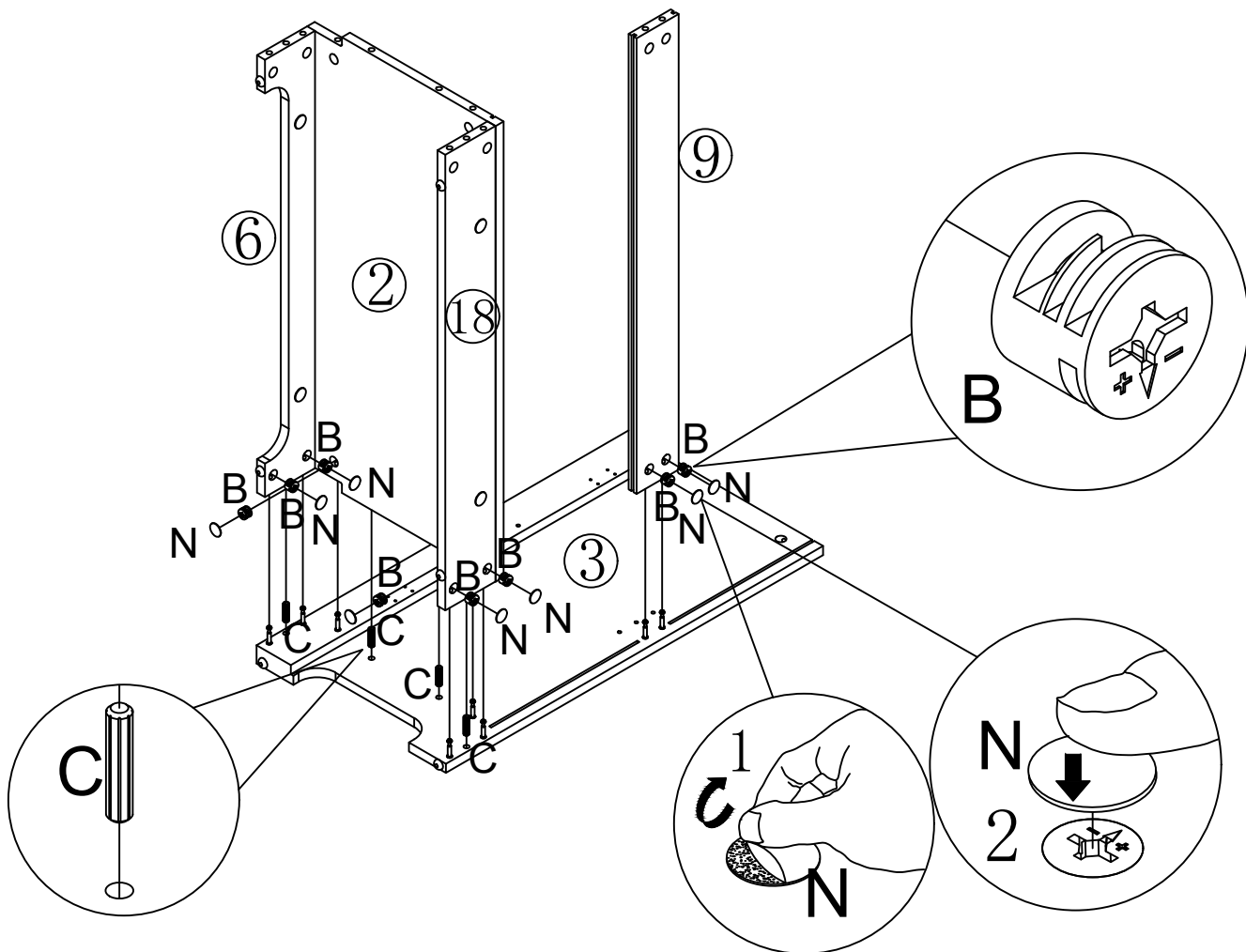
Step 4

A	×16
	

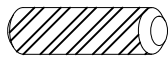


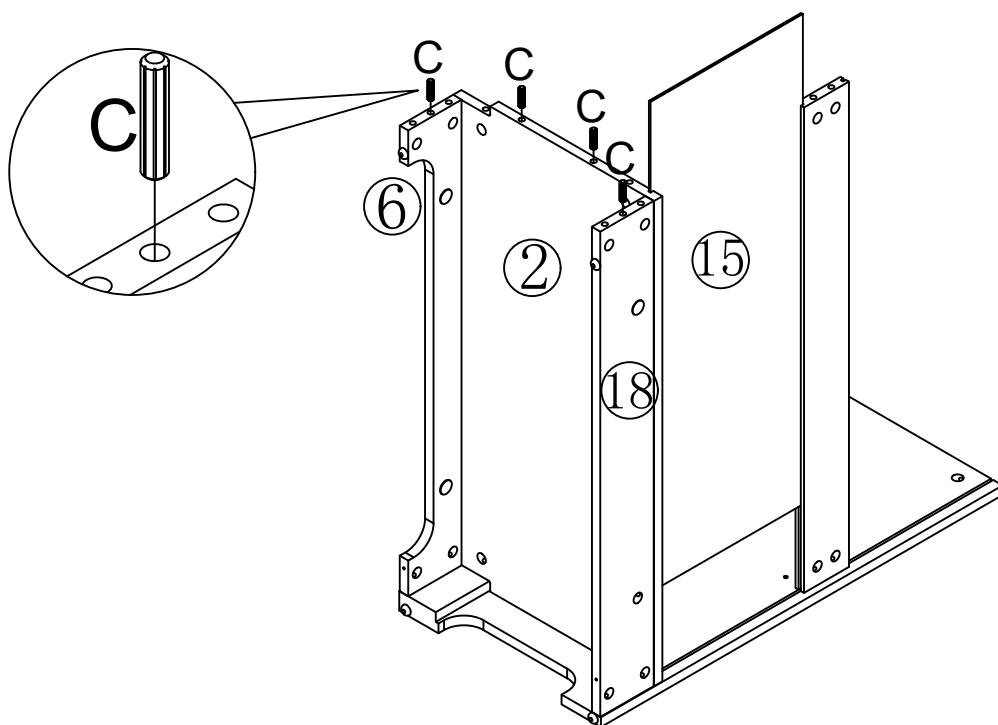
Step 5

C	×4	B	×8	N	×8
					

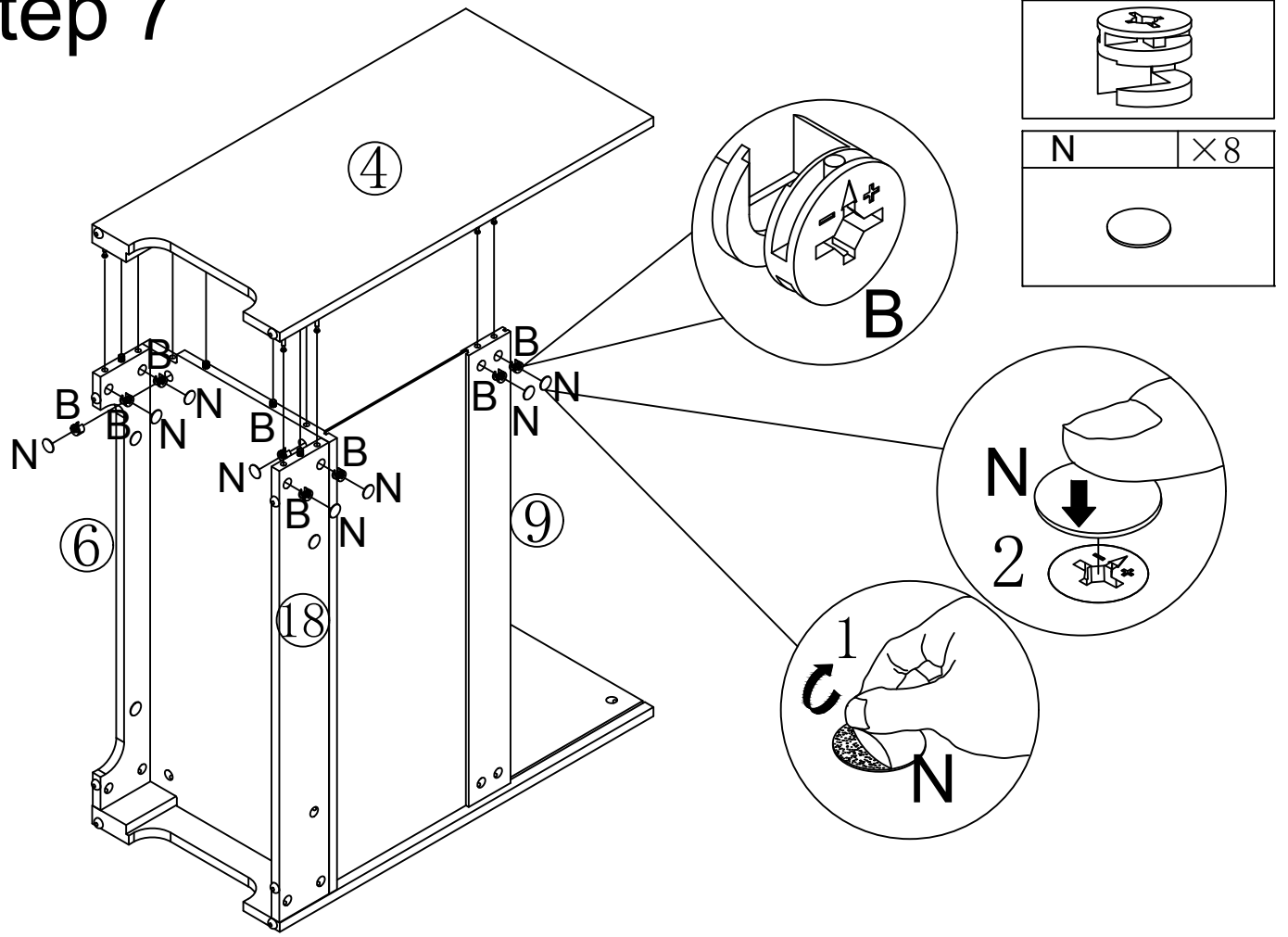


Step 6

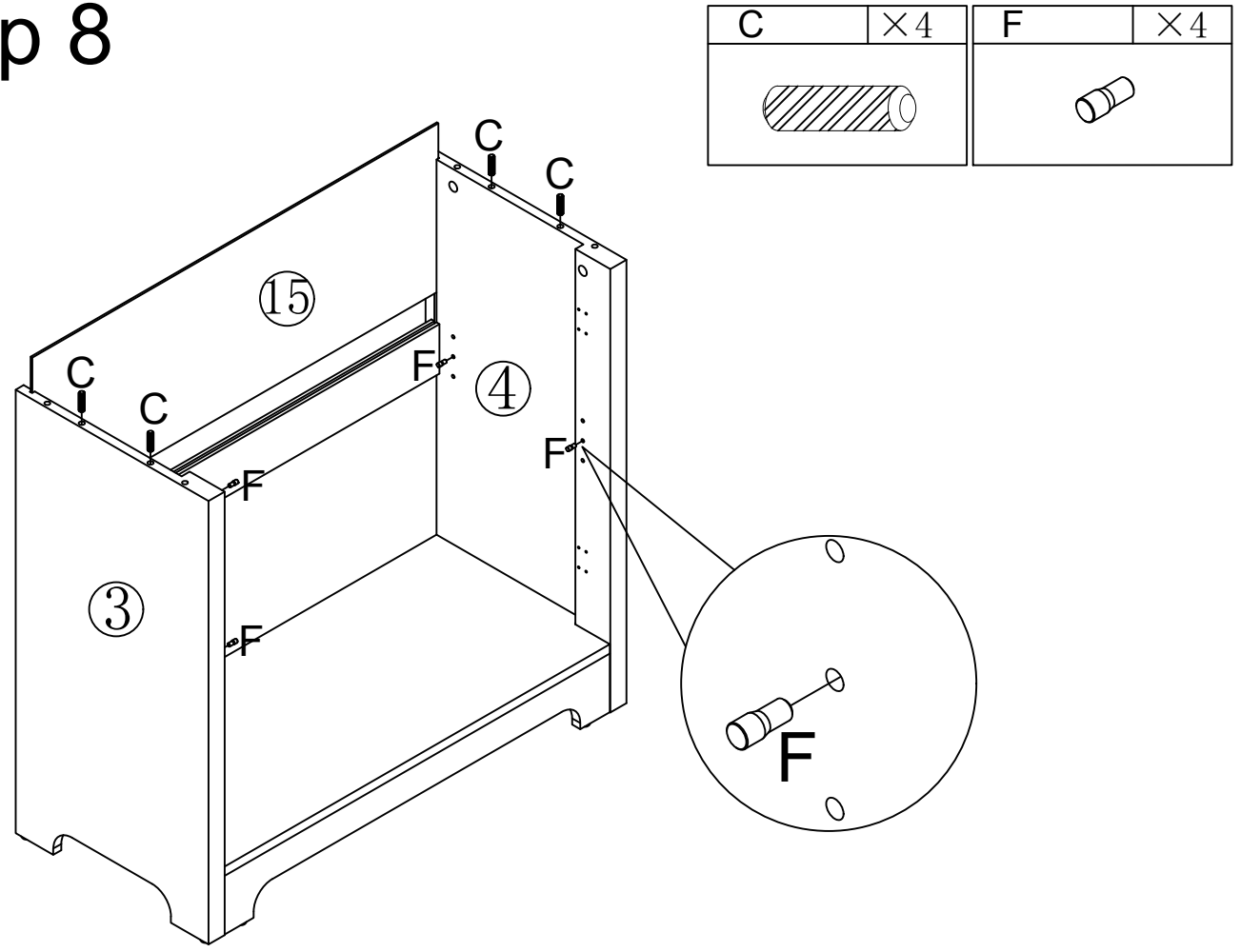
C	×4
	



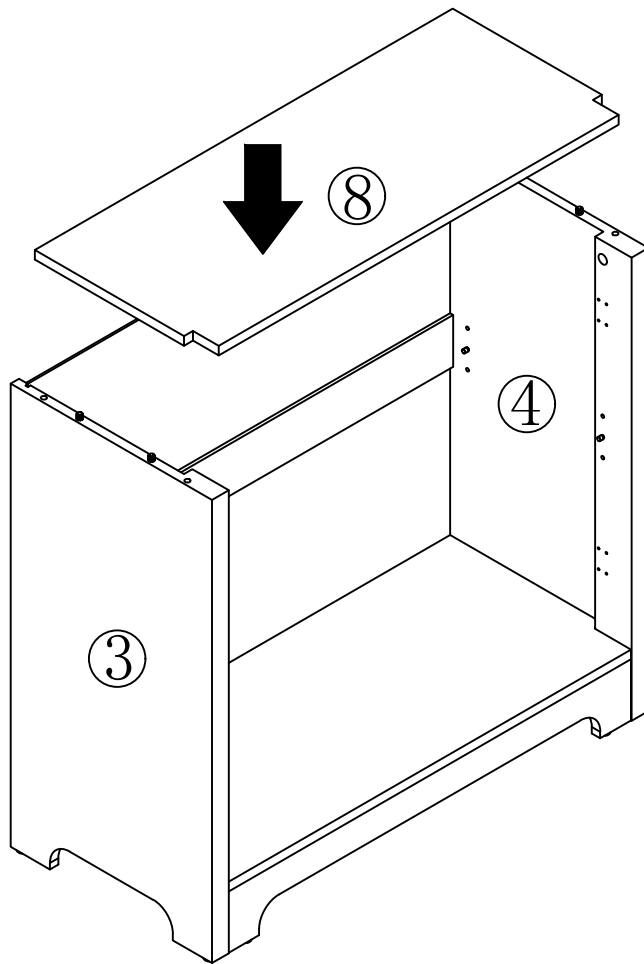
Step 7



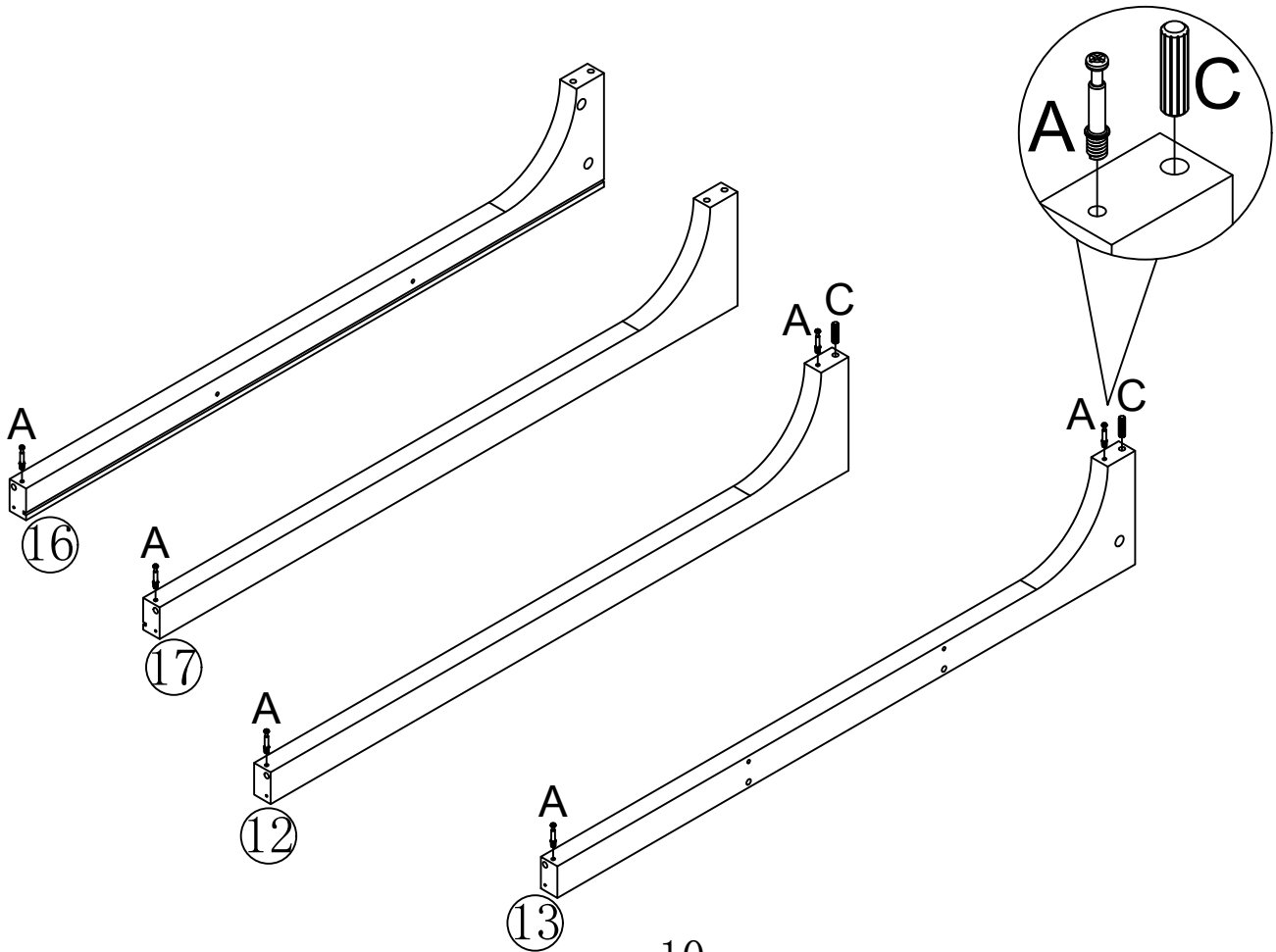
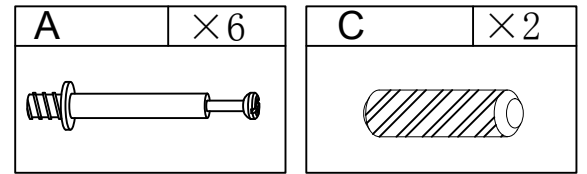
Step 8



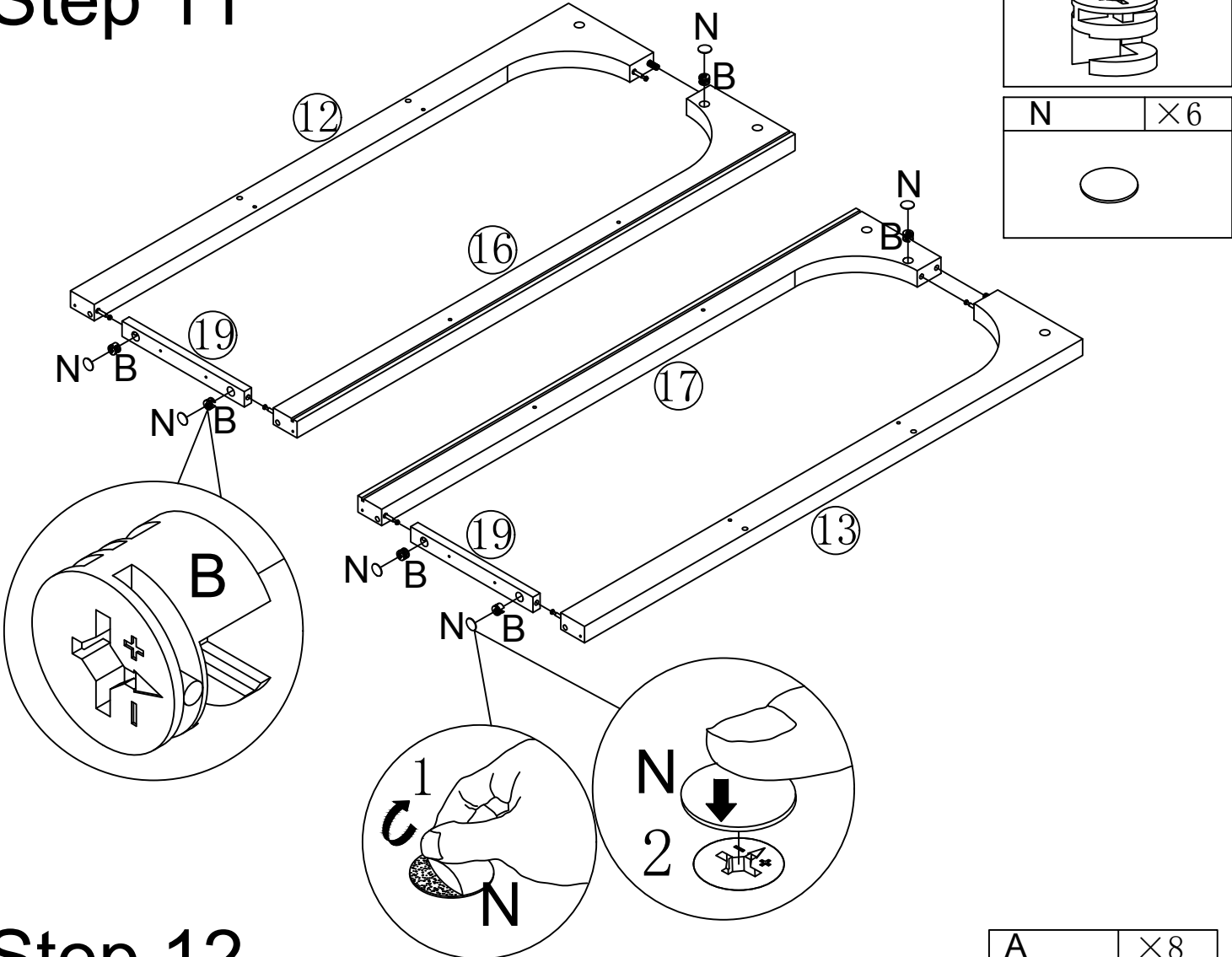
Step 9



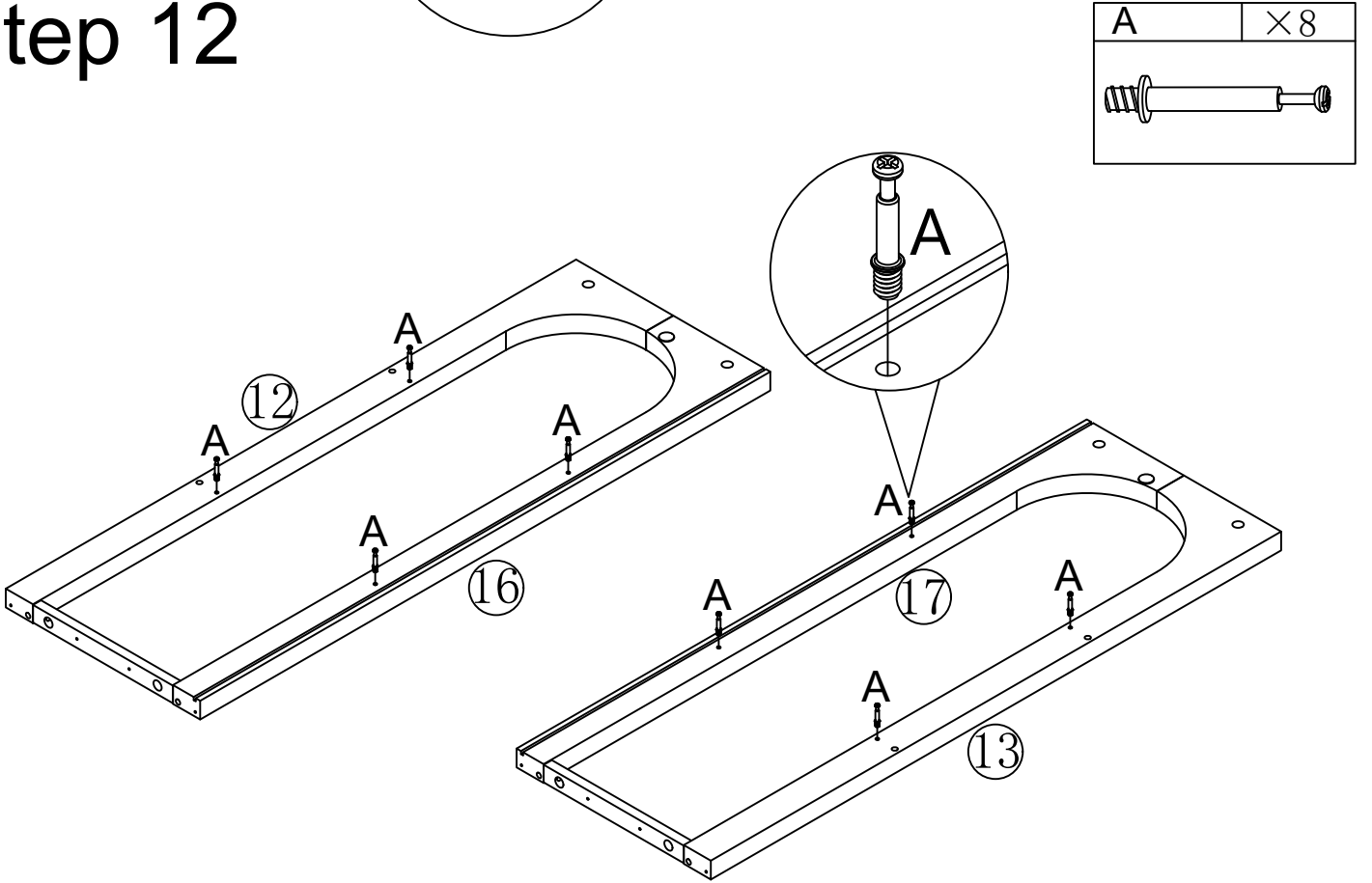
Step 10



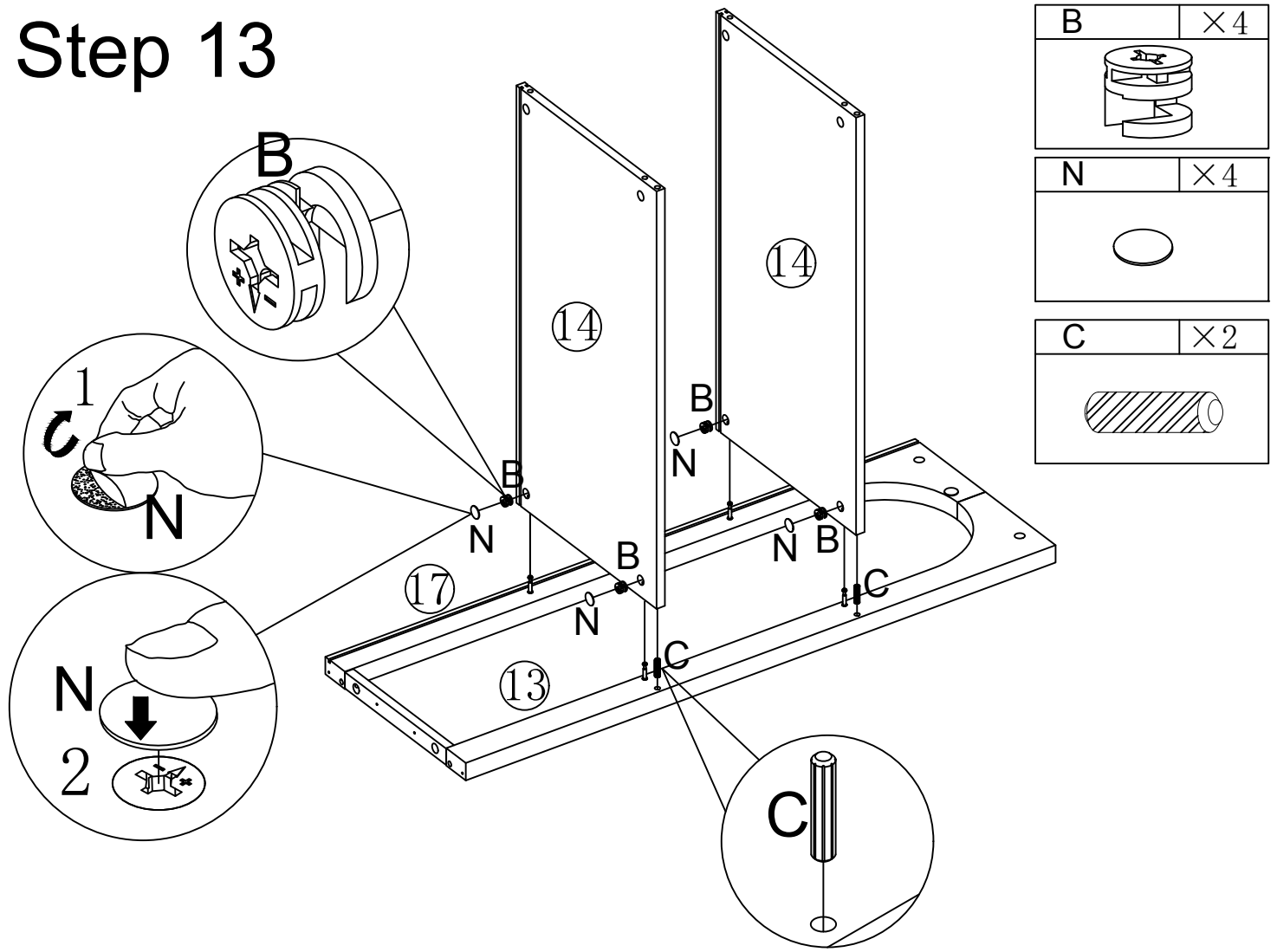
Step 11



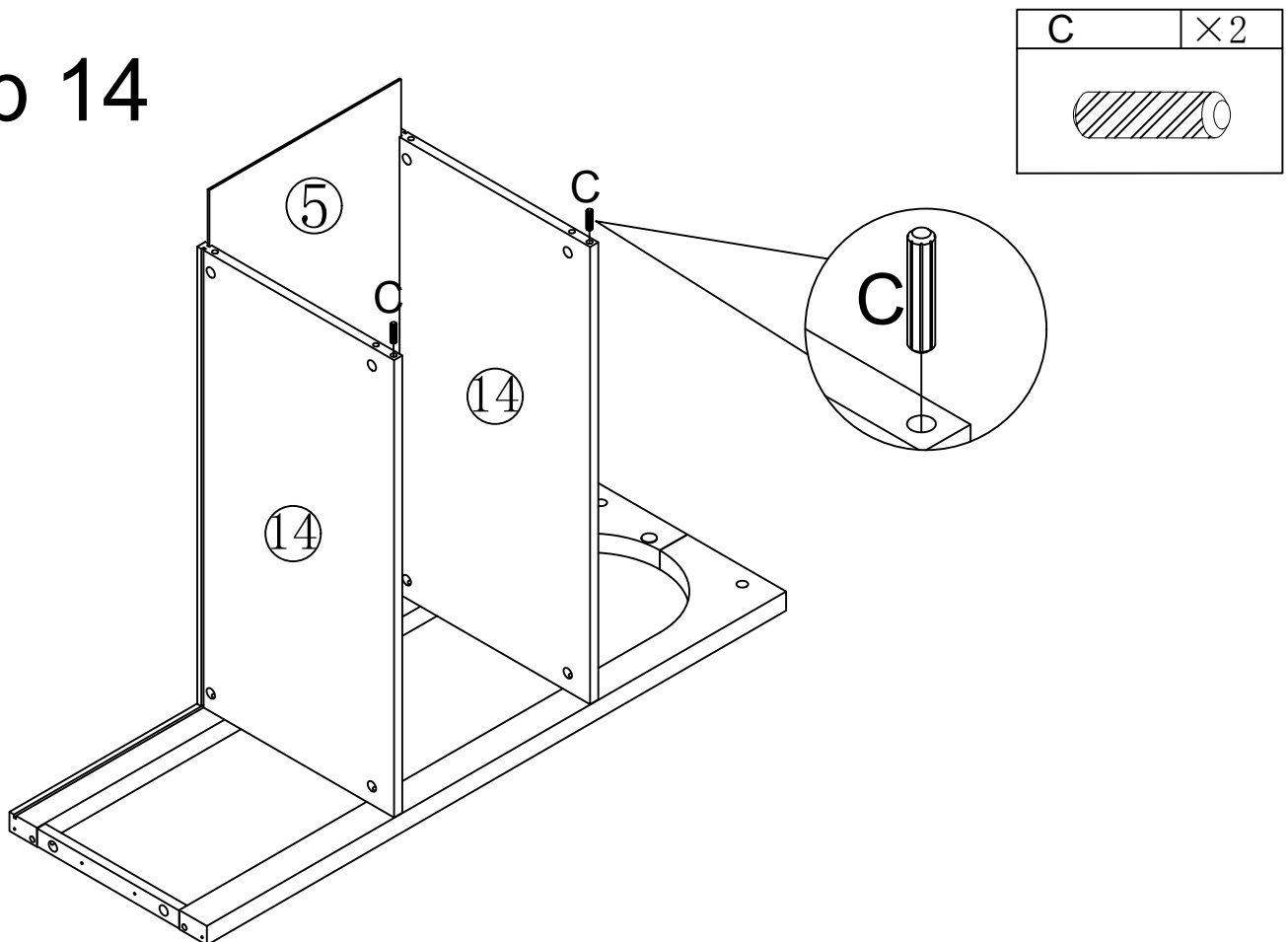
Step 12



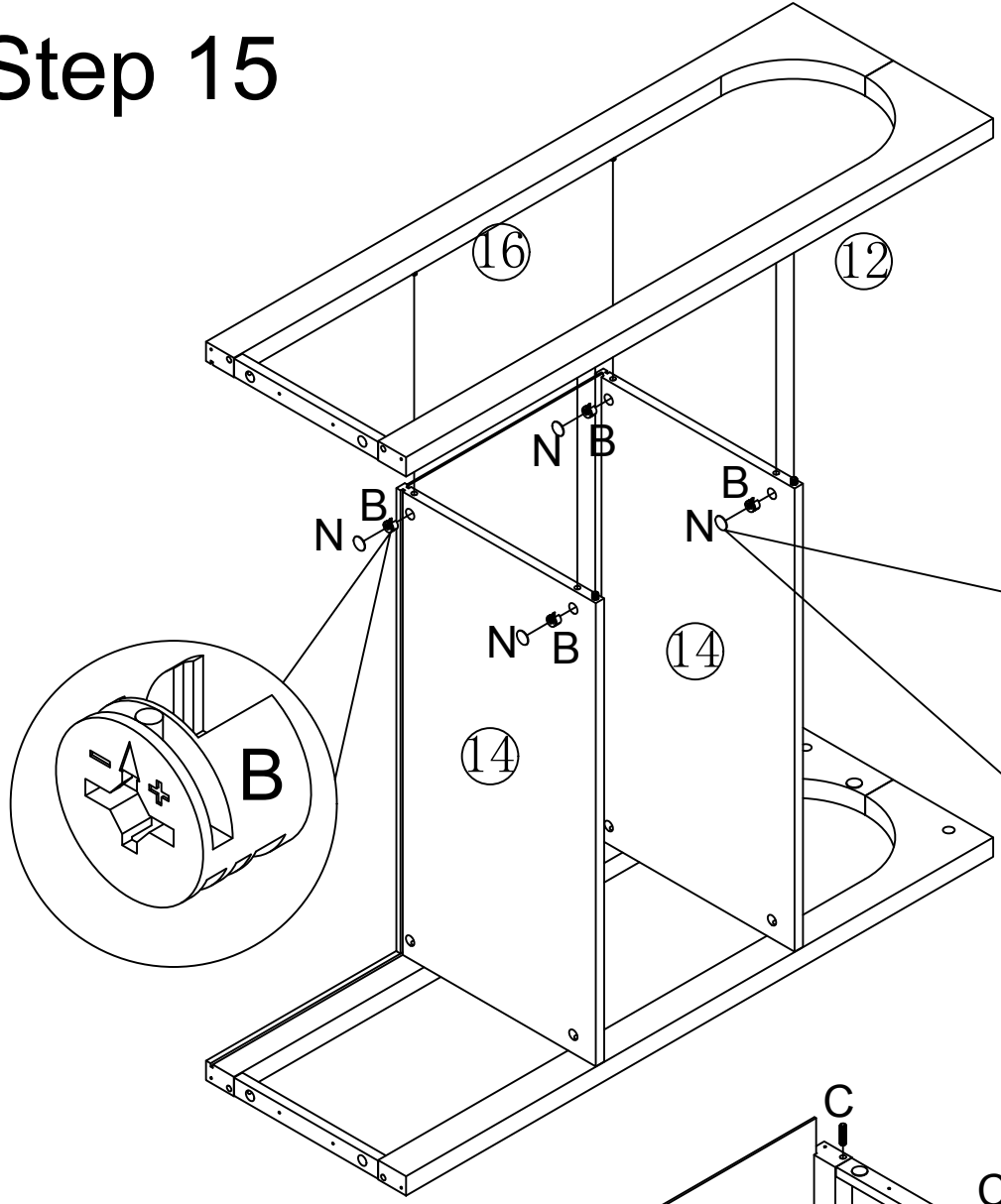
Step 13



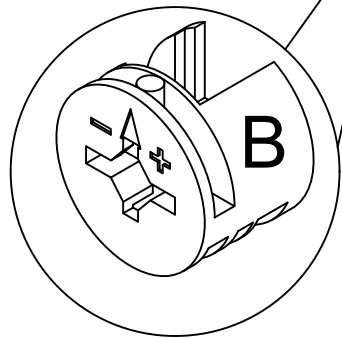
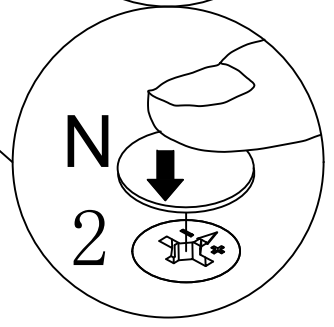
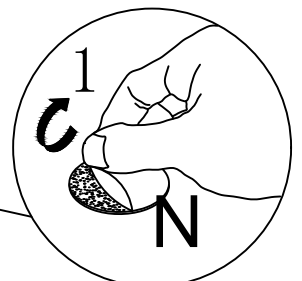
Step 14



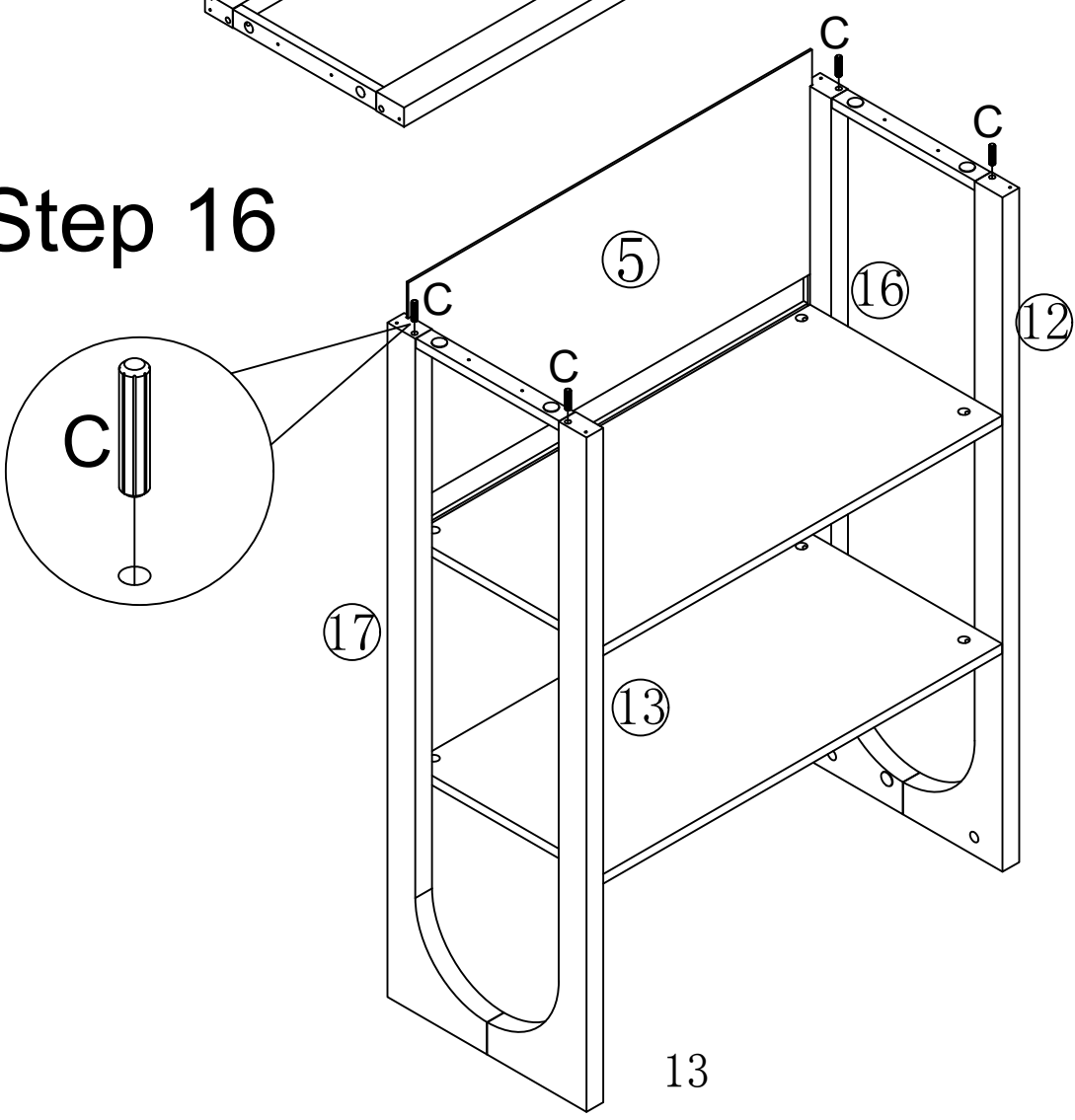
Step 15



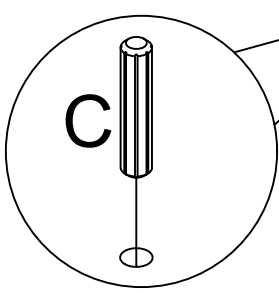
B	×4
N	×4



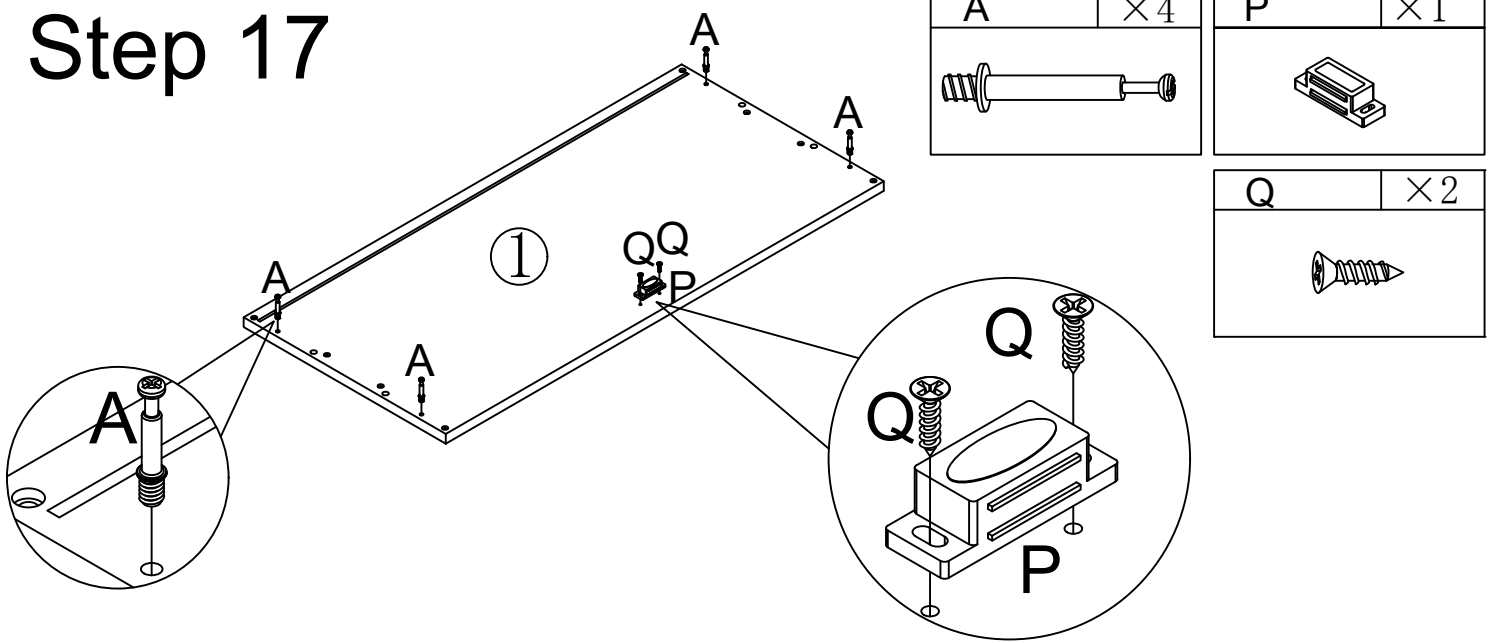
Step 16



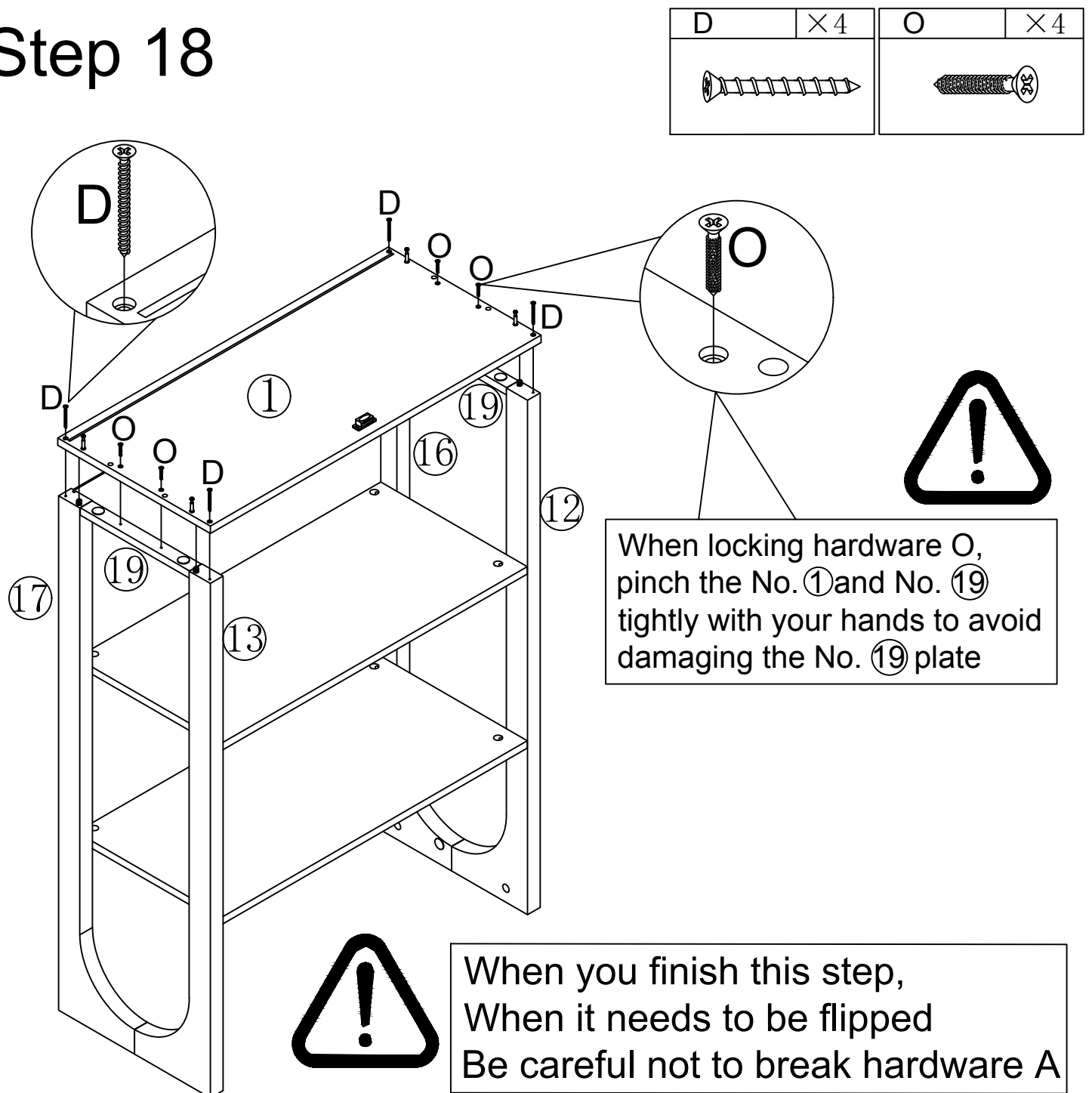
C	×4



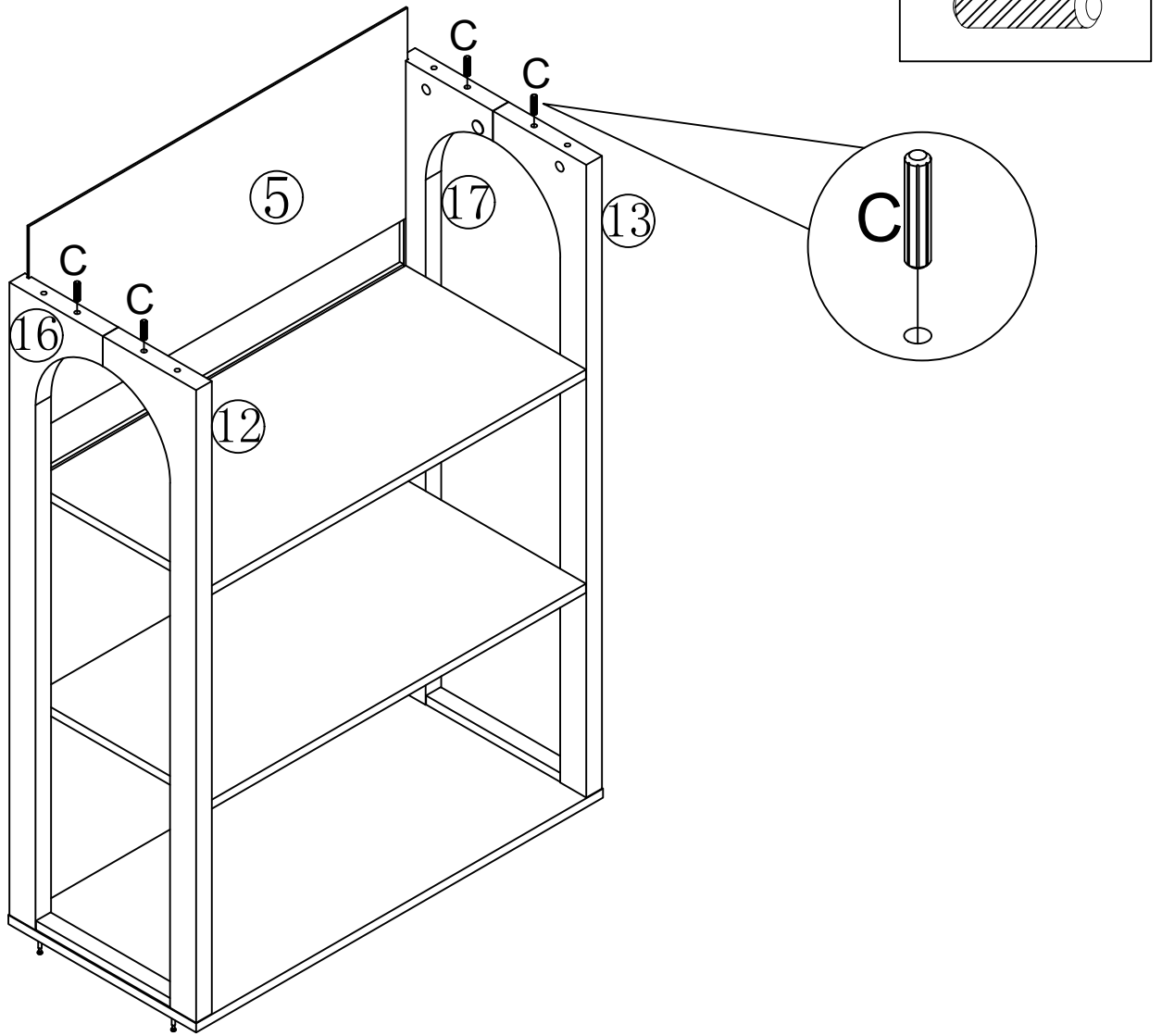
Step 17



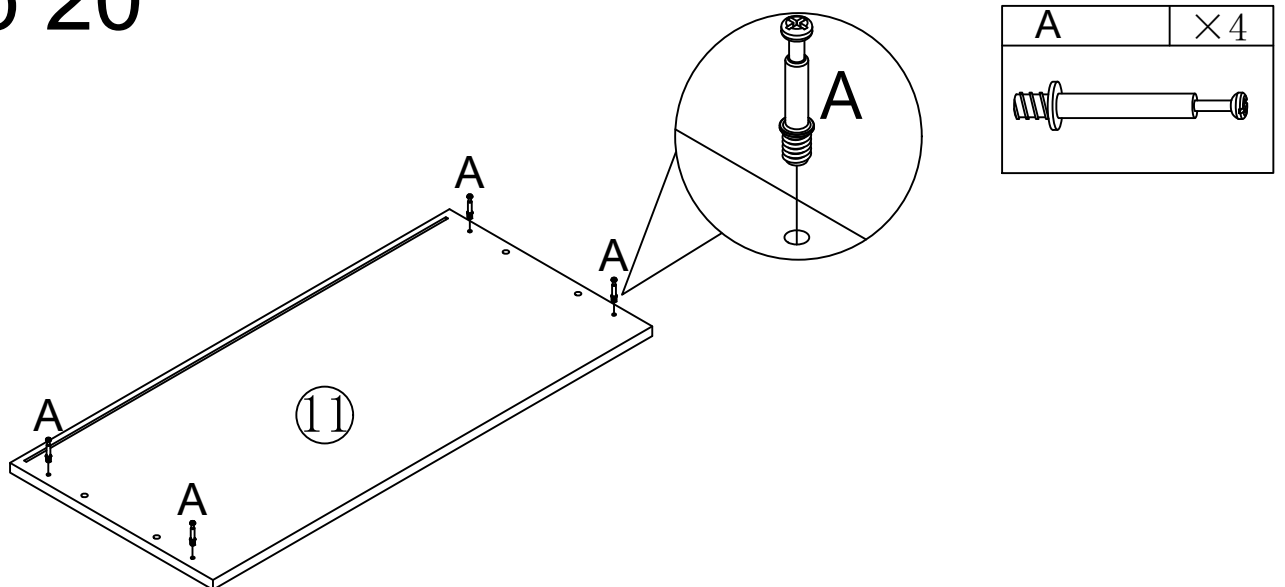
Step 18





Step 19

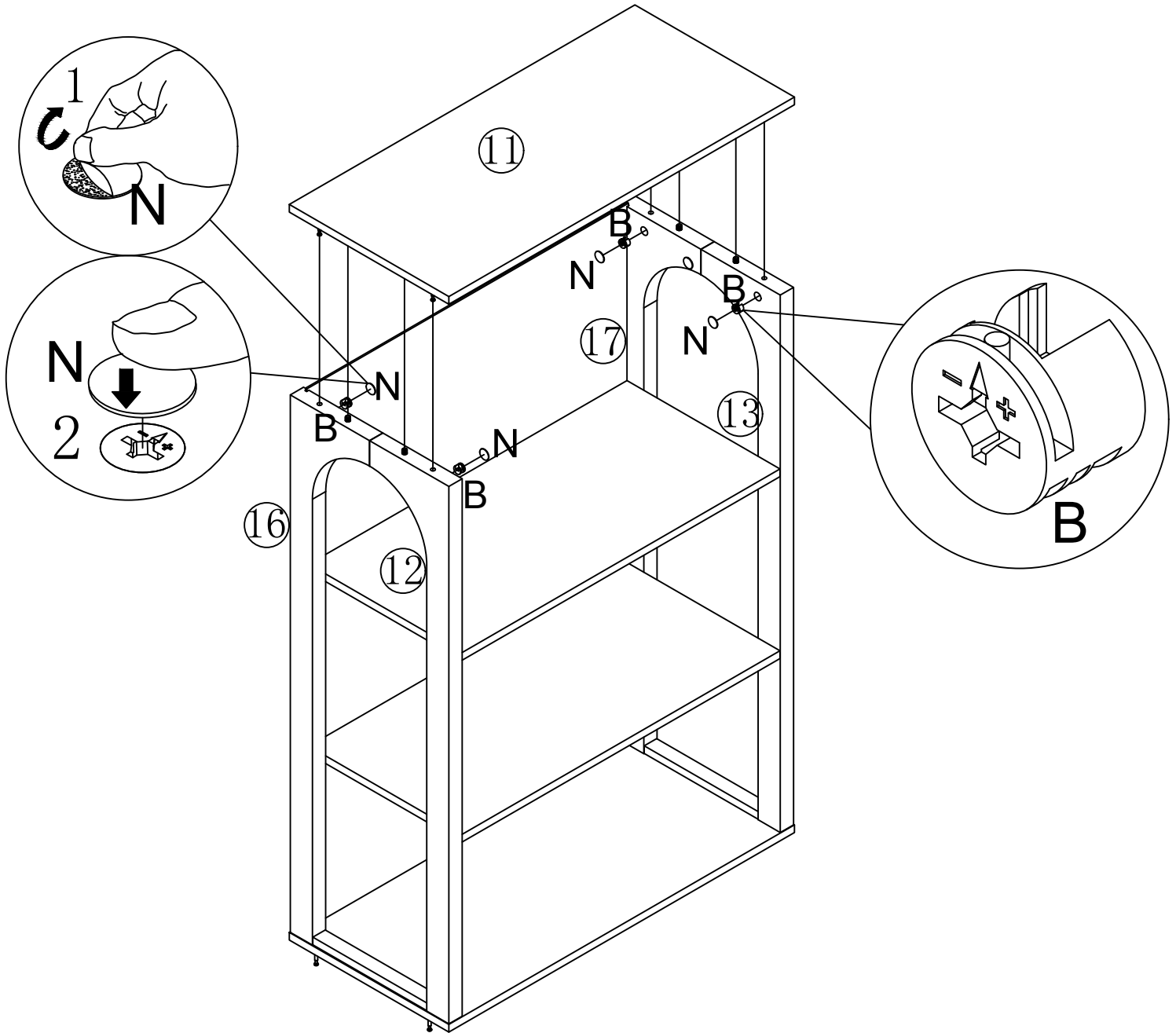


Step 20





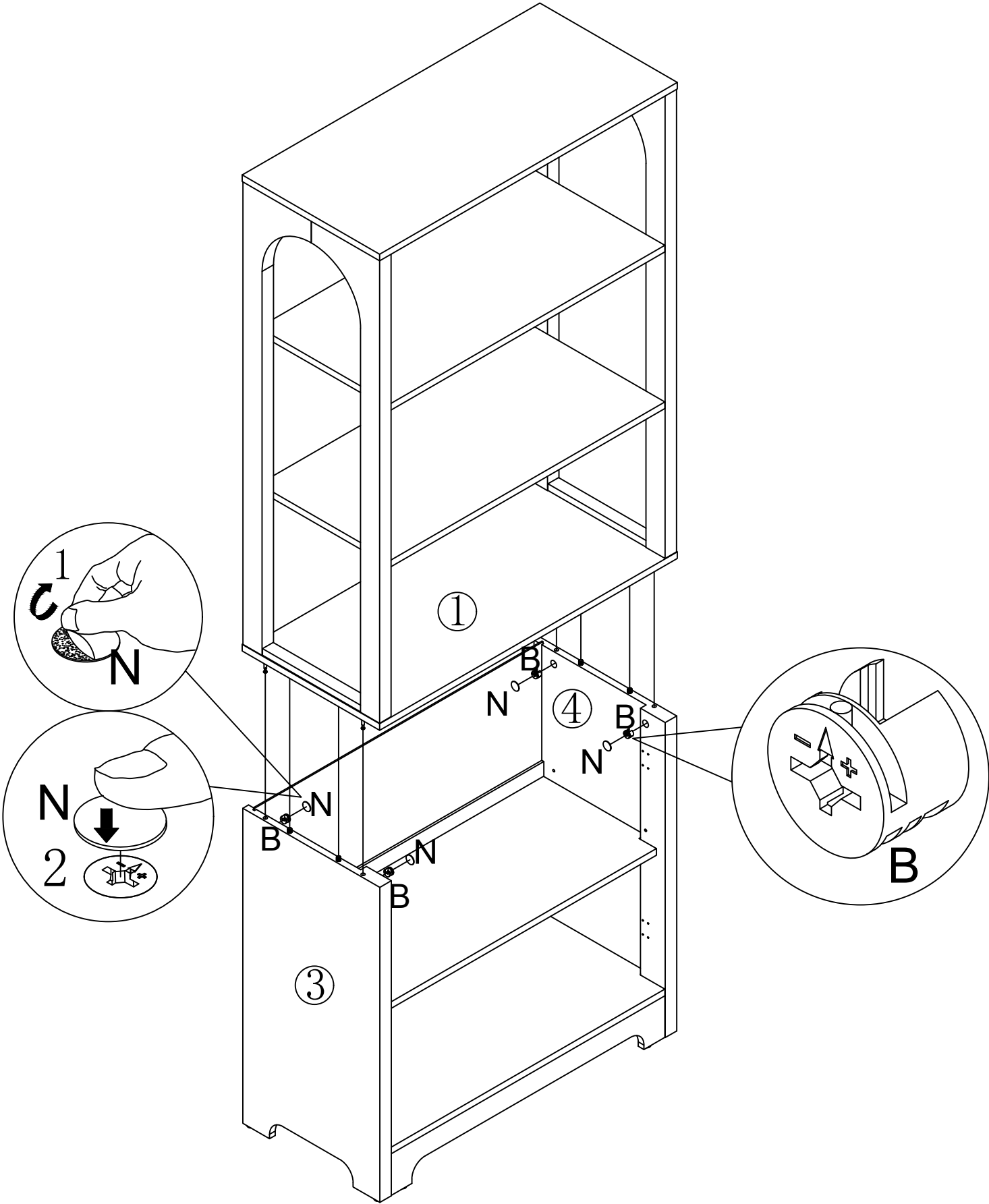
Step 21

B	×4	N	×4
			




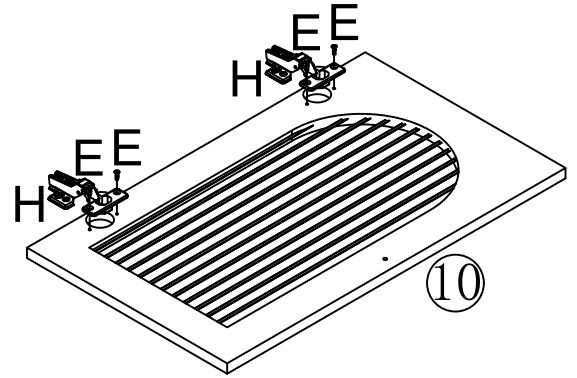
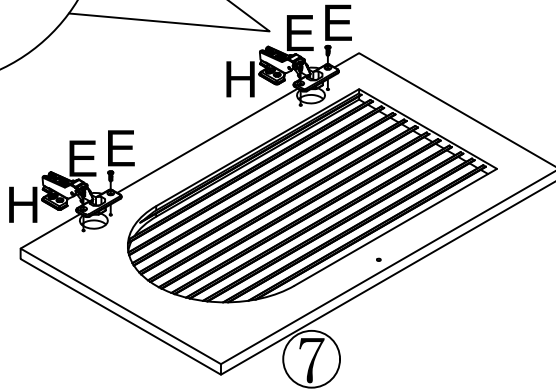
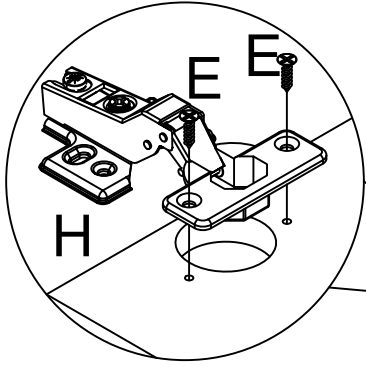
Step 22

B	×4	N	×4
			


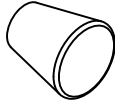



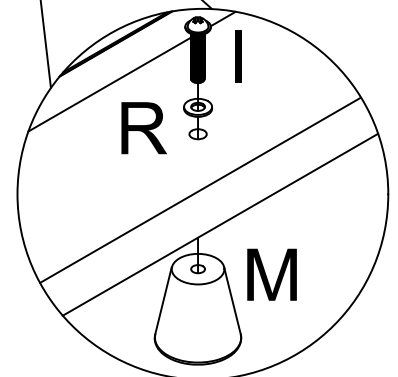
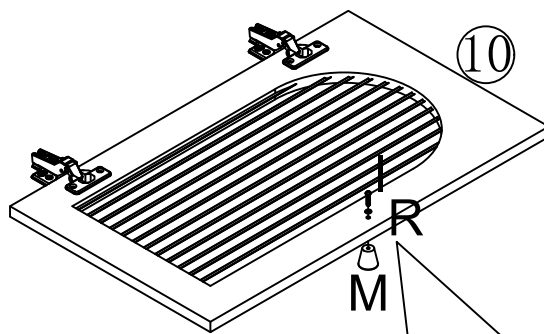
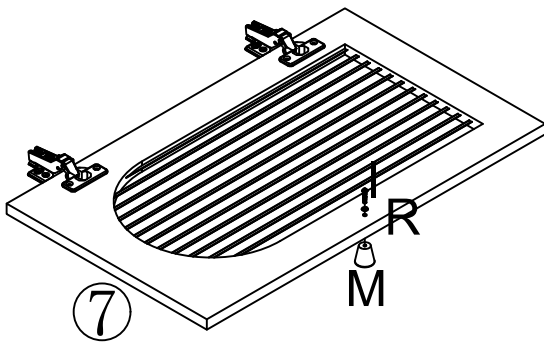
Step 23

E	×8	H	×4
			




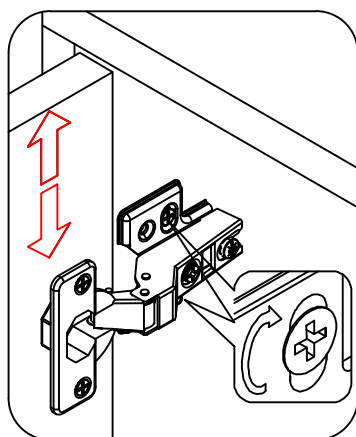
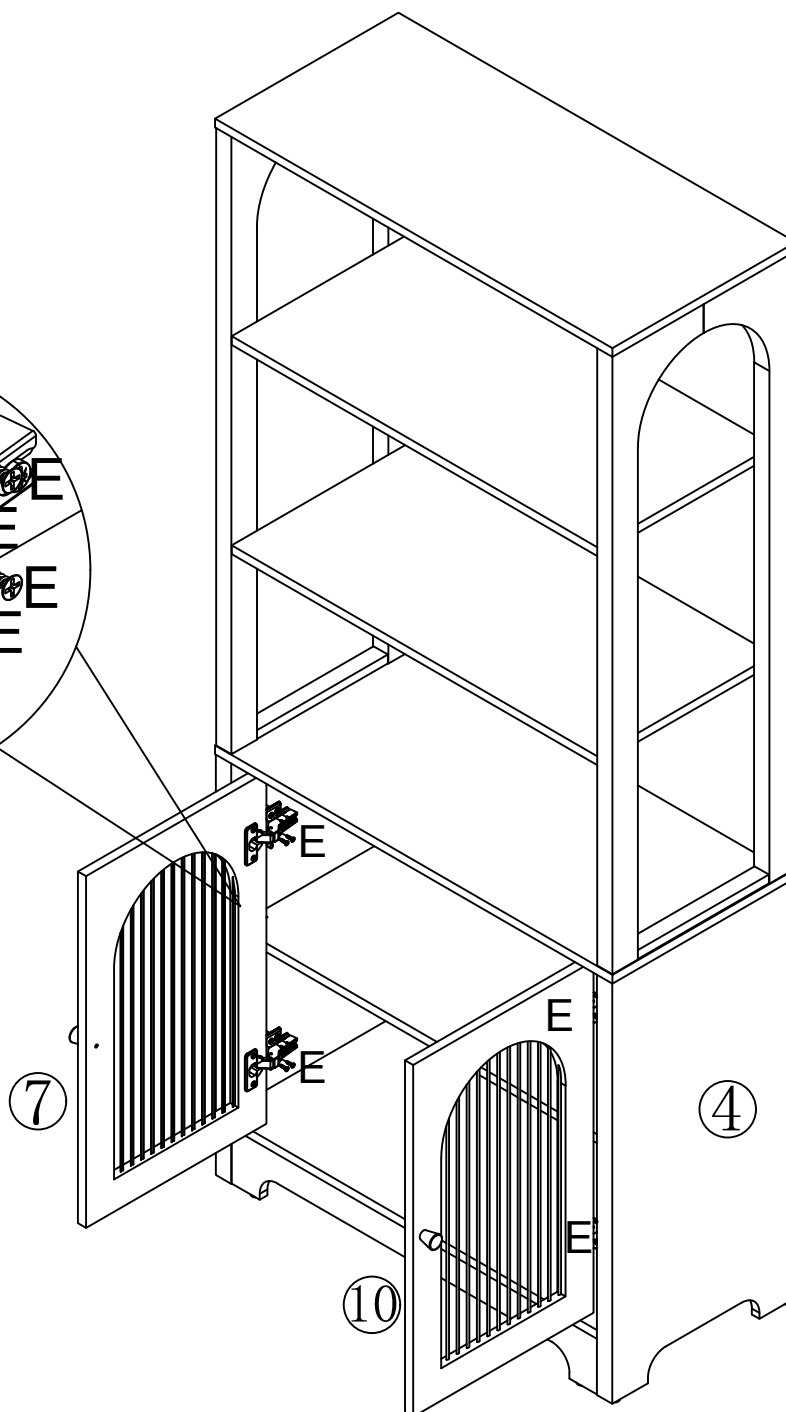
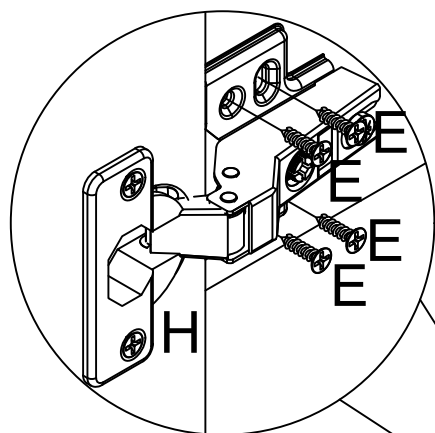
Step 24

I	×2	M	×2	R	×2
					

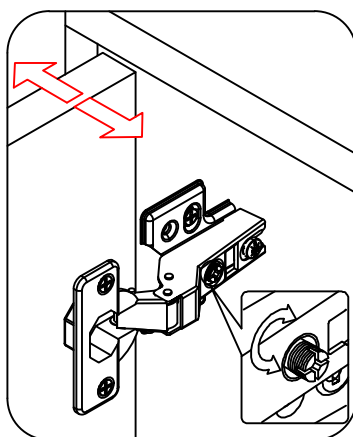


Step 25

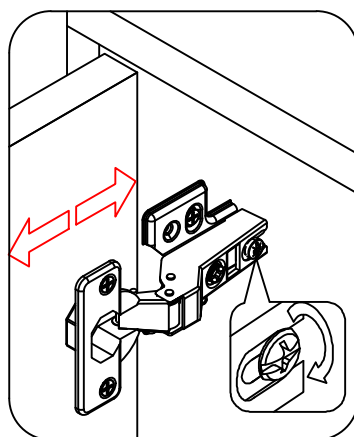
E	×16
	



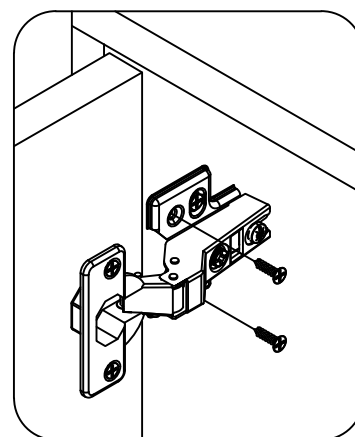
1. Adjust the screws shown in Figure 1 to adjust the door up and down.



2. Adjust the screws shown in Fig. 2 and pull the door back and forth so that it can be opened smoothly.




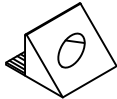
3. Adjust the screws shown in Figure 3 to adjust the door left and right to the right position.

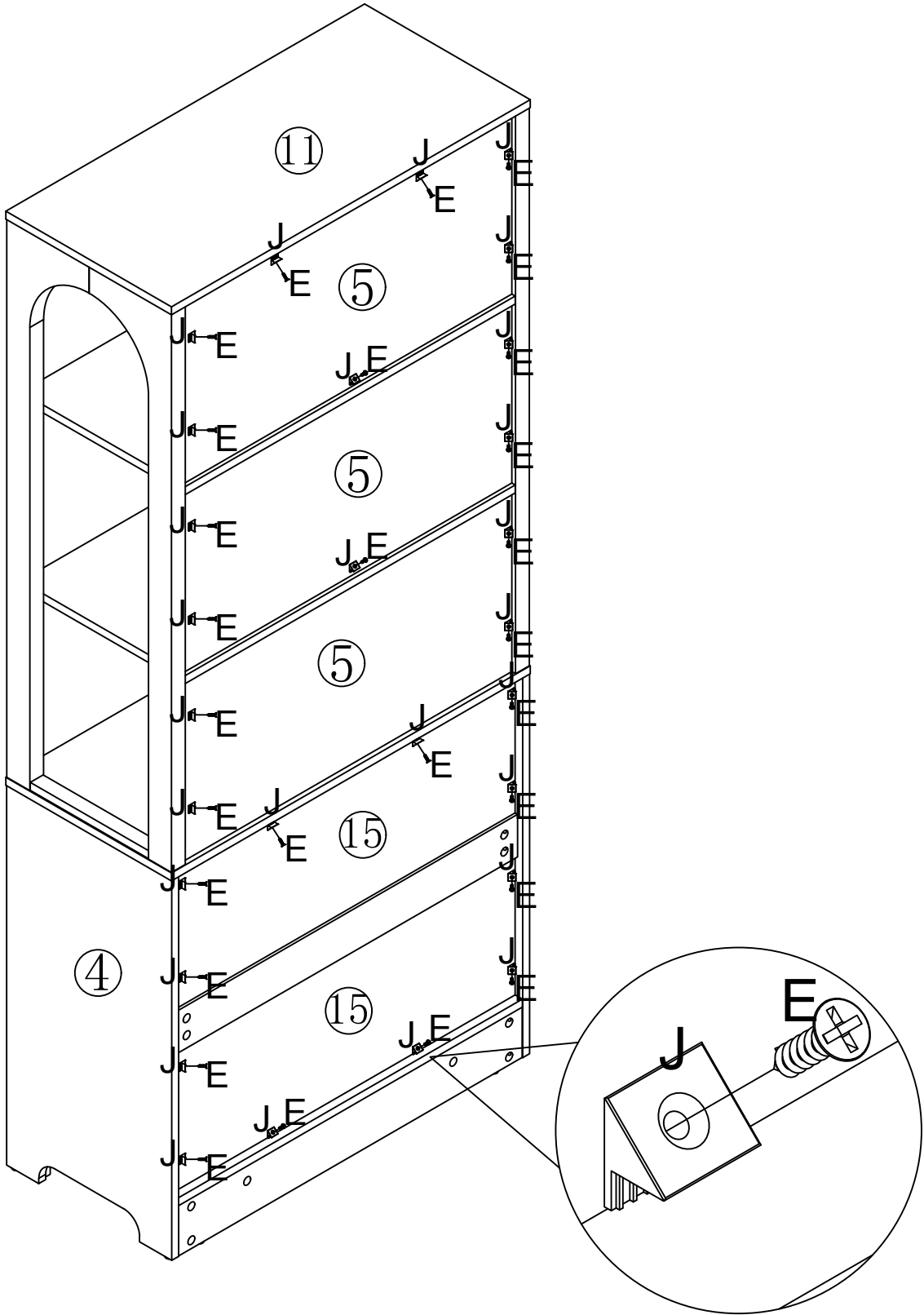


4. After the adjustment is complete, install the remaining two screws to secure the door in place.

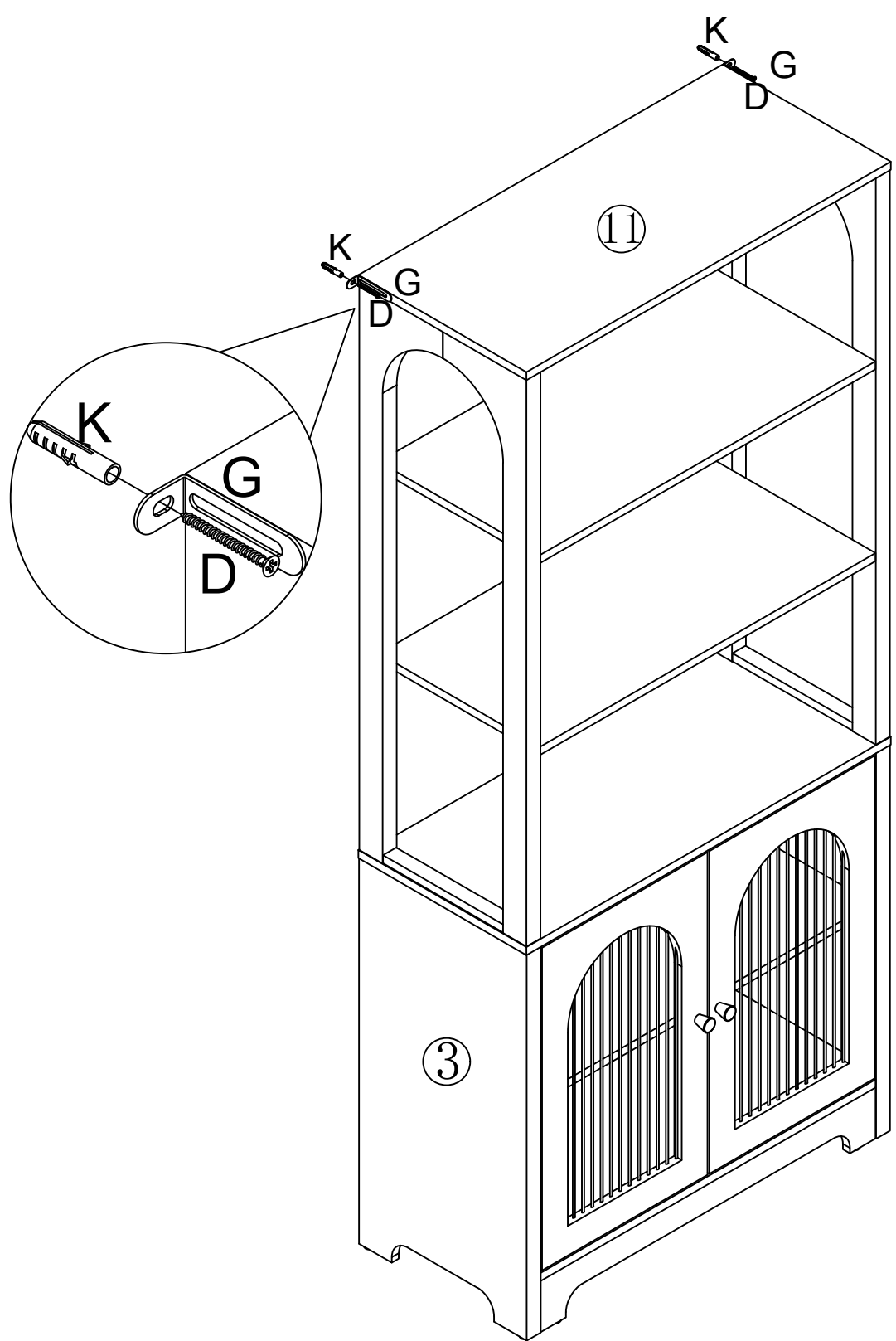
Step 26

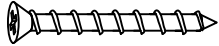
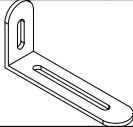

E	×28
	

J	×28
	



Step 27



D	×2
	
G	×2
	
K	×2
	

Step 28

E	×2
