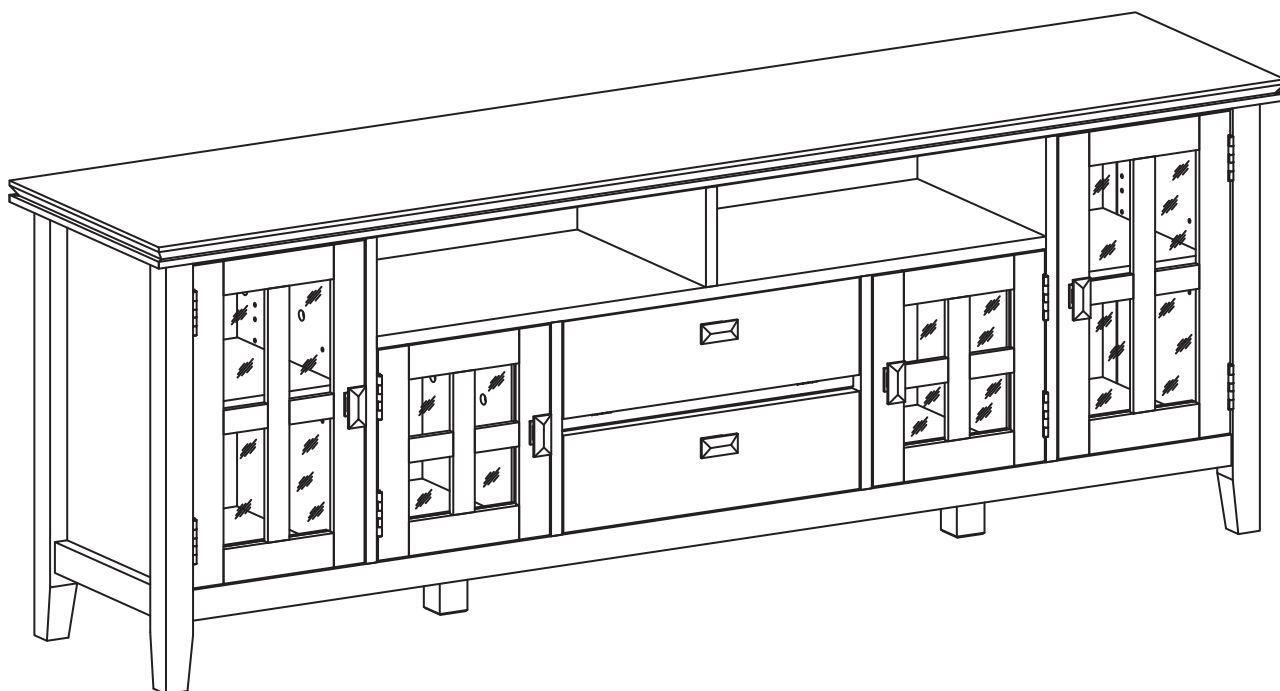


72 INCH WIDE TV MEDIA STAND





DO NOT RETURN

**FOR REPLACEMENT PARTS OR OTHER INQUIRIES
PLEASE CONTACT US**

**PLEASE ENSURE TO HAVE THE MODEL #
FROM THE PACKAGING OR
INSTRUCTION BOOKLET**

IMPORTANT : Please read this manual carefully before beginning assembly of this product. Keep this manual for future reference.

SAFETY INFORMATION

Identify all the parts and hardware. Do not discard of the packaging until you have checked that you have all of the parts and hardware required. Hardware package may have spare parts.

WARNING: This item contains small parts which can be swallowed by children and pets. Keep children and pets away during assembly. To avoid danger of suffocation, always keep plastic bags away from children and pets.

We recommend that you assemble this unit on a carpeted floor to avoid scratches. We do not recommend the use of power tools for assembly as this could damage the unit. Only use manual tools.

May require 2 people for ease of assembly.

CARE and MAINTENANCE

To clean, use a soft or slightly damp cloth, then wipe with a clean, dry cloth. Dust with soft dry cloth.

Do not use ammonia-based cleaning products, as they will damage the finish.

Do not leave liquids or damp cloths on this furniture.

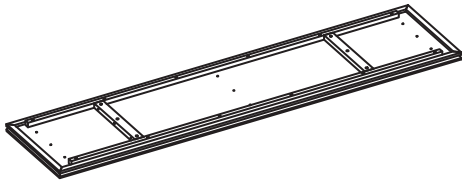
To avoid dulling of the finish, do not place furniture in direct sunlight.

Please inspect and tighten all screws or bolts on a regular basis to ensure proper performance and safety of your item.

PRE-ASSEMBLY INFORMATION

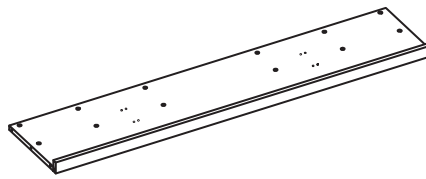
PARTS DESCRIPTION

A



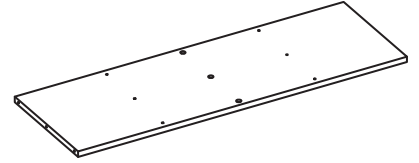
TOP
QTY 1

B



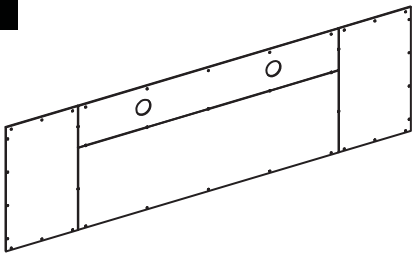
BOTTOM SHELF
QTY 1

C



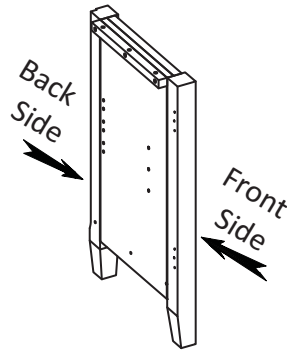
TOP SHELF
QTY 1

D



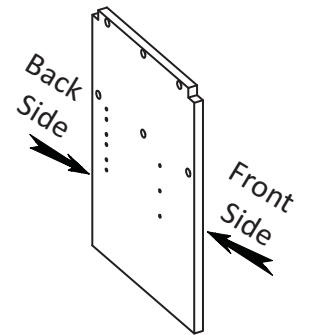
BACK PANEL
QTY 1 SET

E



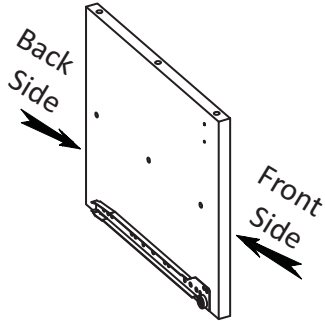
SIDE
QTY 1 PAIR

F



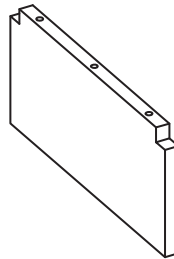
DIVIDER
QTY 1 PAIR

G



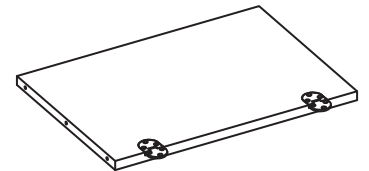
MIDDLE DIVIDER
QTY 1 PAIR

H



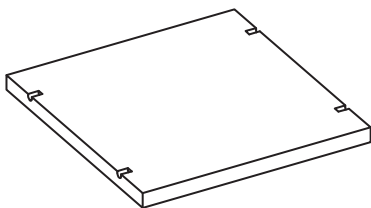
TOP DIVIDER
QTY 1

I



CENTER SHELF
QTY 1

J



SHELF
QTY 2

K



DOOR
QTY 1 PAIR

L



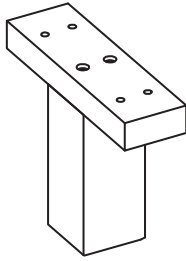
DOOR
QTY 1 PAIR

NEED HELP? For help with assembly or if you are missing a part, Please call customer service

PRE-ASSEMBLY INFORMATION

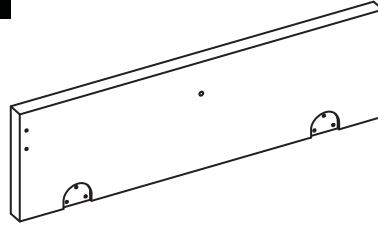
PARTS DESCRIPTION

M



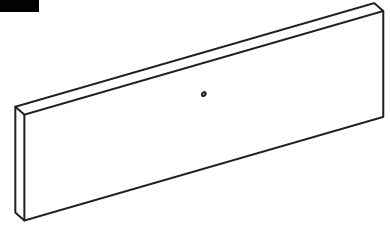
BOTTOM SUPPORT LEG
QTY 2

N



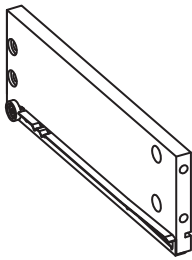
FLIP DOWN DOOR
QTY 1

O



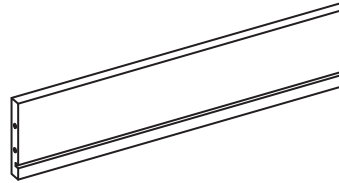
DRAWER FRONT
QTY 1

P



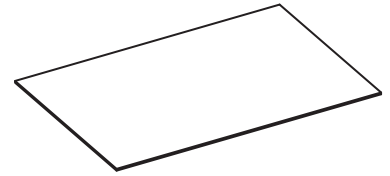
DRAWER SIDE
QTY 1 PAIR

Q



DRAWER BACK
QTY 1

R



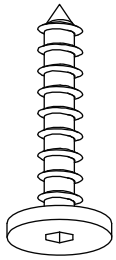
DRAWER BOTTOM
QTY 1

NEED HELP? For help with assembly or if you are missing a part, Please call customer service

PRE-ASSEMBLY INFORMATION

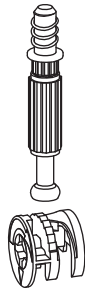
HARDWARE DESCRIPTION

1



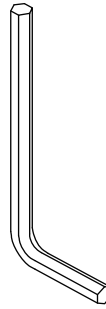
ALLEN KEY SCREW
M6 X 30 mm
QTY 43

2



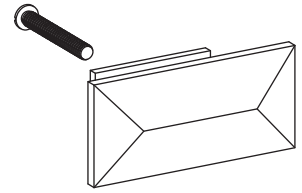
CAM LOCK PIN
CAM LOCK
QTY 19 SETS

3



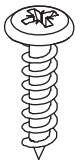
ALLEN KEY
QTY 1

4



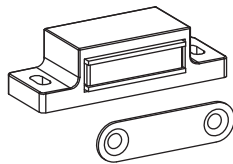
HANDLE
M4 X 25mm
QTY 6 SETS

5



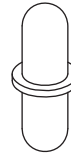
PHILLIPS SCREW
ROUND HEAD
M4 X 15 mm
QTY 39

6



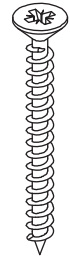
MAGNET AND PLATE
QTY 4 SETS

7



SHELF SUPPORT
QTY 12

8



PHILLIPS SCREW
M4 X 30 mm
QTY 8

9



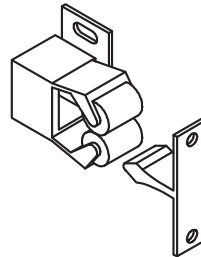
PHILLIPS SCREW
M3 X 12 mm
QTY 24

10



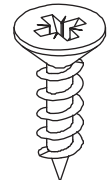
PHILLIPS SCREW
M3 X 15 mm
QTY 20

11



LATCH
QTY 1 SET

12



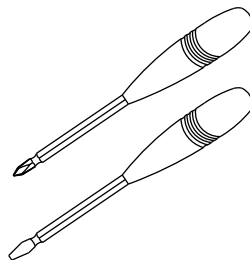
PHILLIPS SCREW
M4 X 15 mm
QTY 6

13



- a. M4 X 25 - QTY 1
- b. M4 X 15 - QTY 1
- c. M4 X 25 - QTY 1

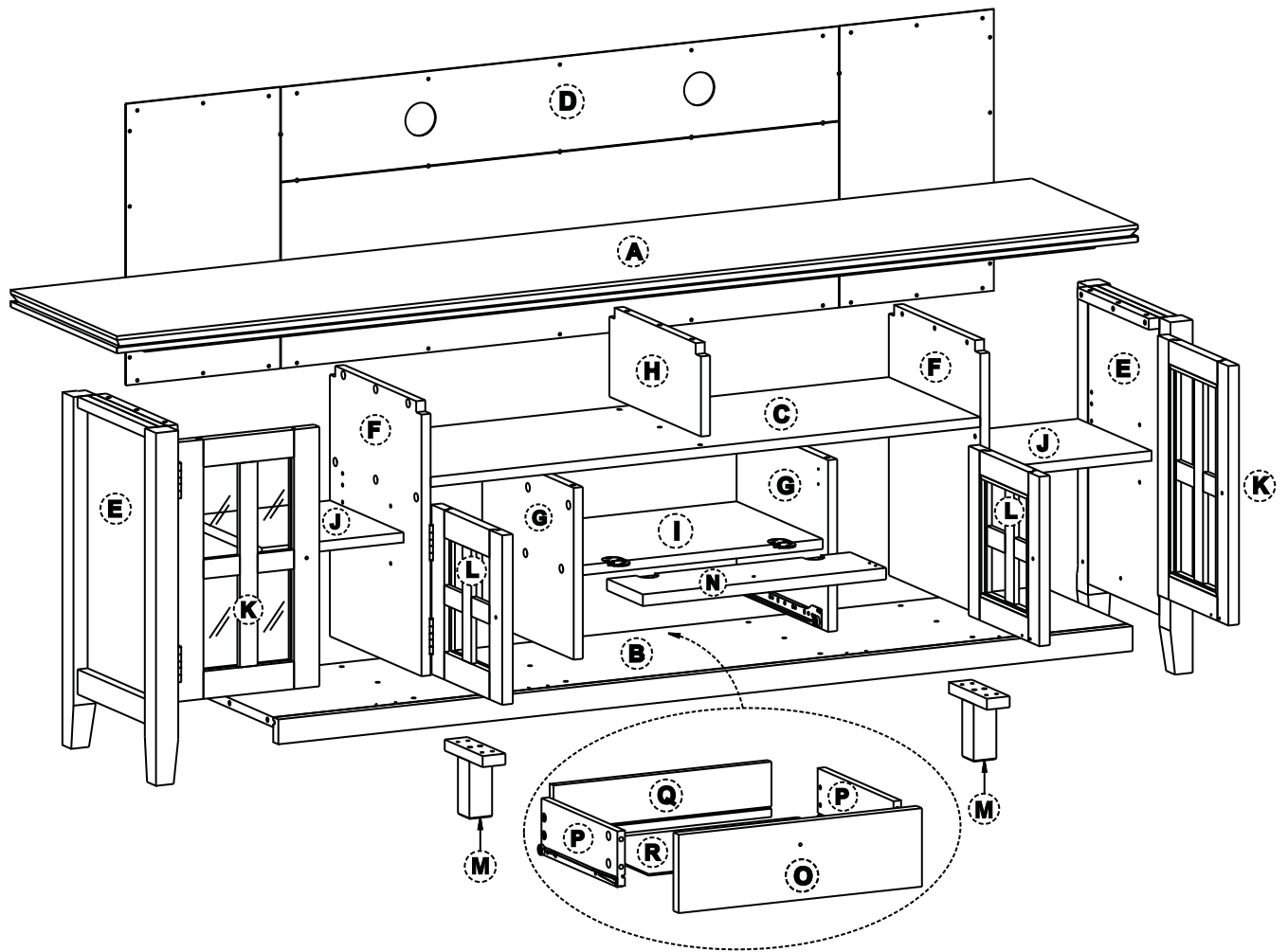
TIPPING RESTRAINT
QTY 1 SET



Required -
Flathead screwdriver
Phillips screwdriver
Not Included

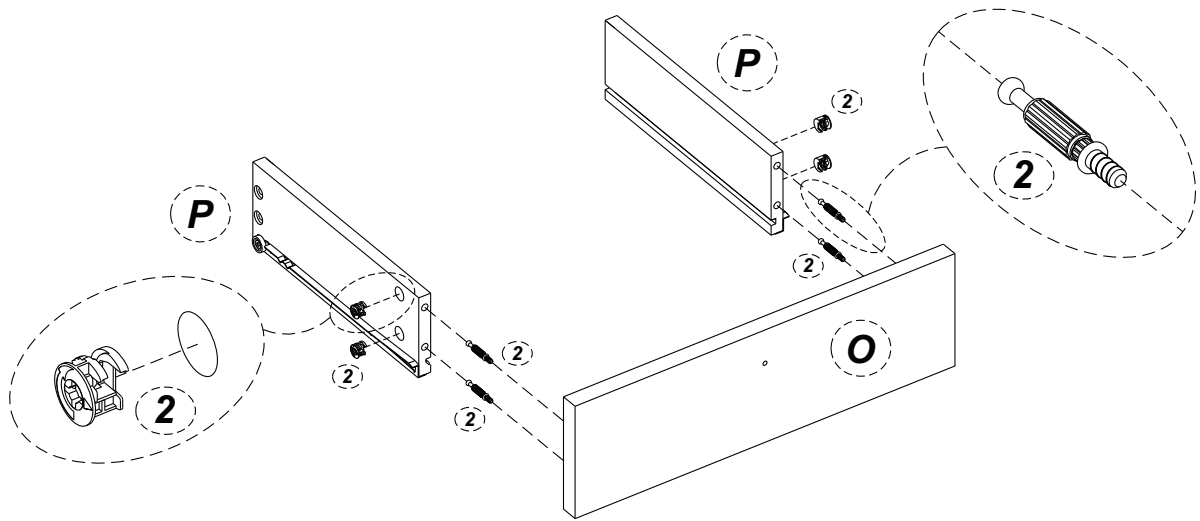
NEED HELP? For help with assembly or if you are missing a part, Please call customer service

COMPONENTS – KEY DIAGRAM



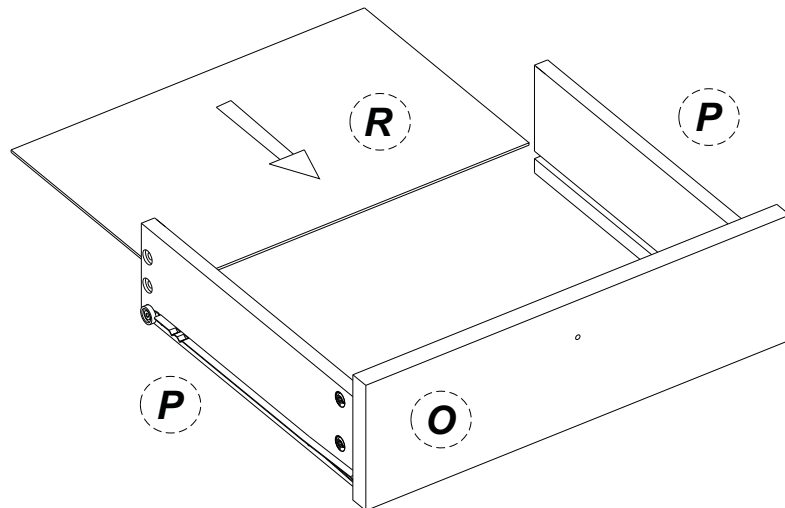
ASSEMBLY

STEP 1



1. Attach 4 Cam Lock Pins (2) to back of Drawer Front (O).
2. Align Cam Lock Pins with pre-drilled holes and attach Drawer Sides (P).
3. Insert 2 Cam Locks (2) into pre-drilled holes on each Drawer Side (P).
4. Use flathead screwdriver secure Cam Locks.

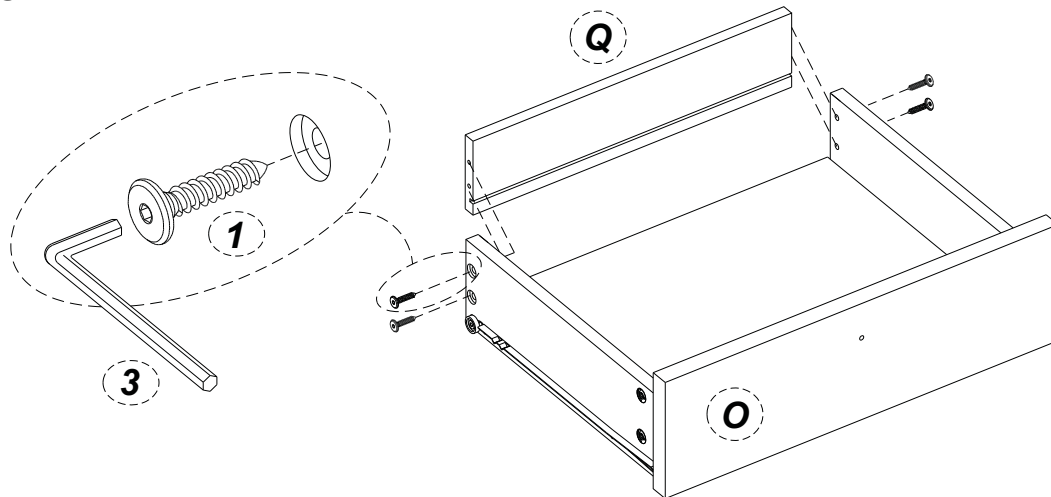
STEP 2



1. Slide Drawer Bottom (R) firmly into slots on Drawer Sides (P) and Drawer Front (O).

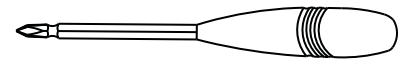
ASSEMBLY

STEP 3

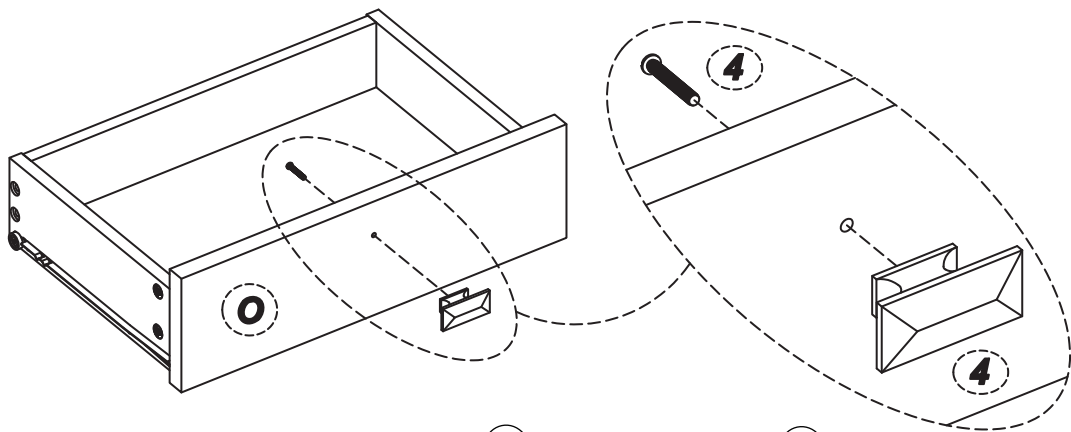


1. Align Drawer Back (Q) with Drawer Bottom (R) and press firmly into slot.
2. Attach back using 2 Allen Key Screws (1) through pre-drilled holes on each Side (P).
3. Use Allen Key (3) to tighten screws. Do not over-tighten.

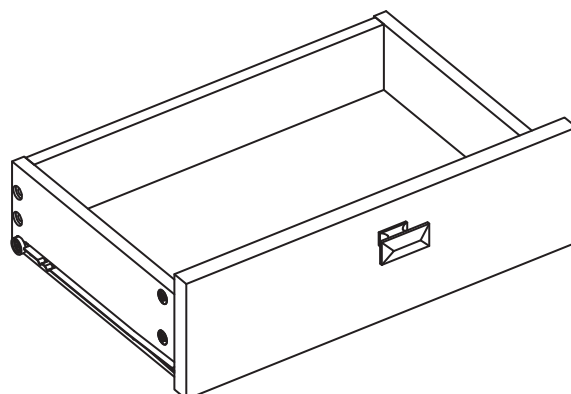
STEP 4



NOTE: The screwdriver is not included in the hardware pack.

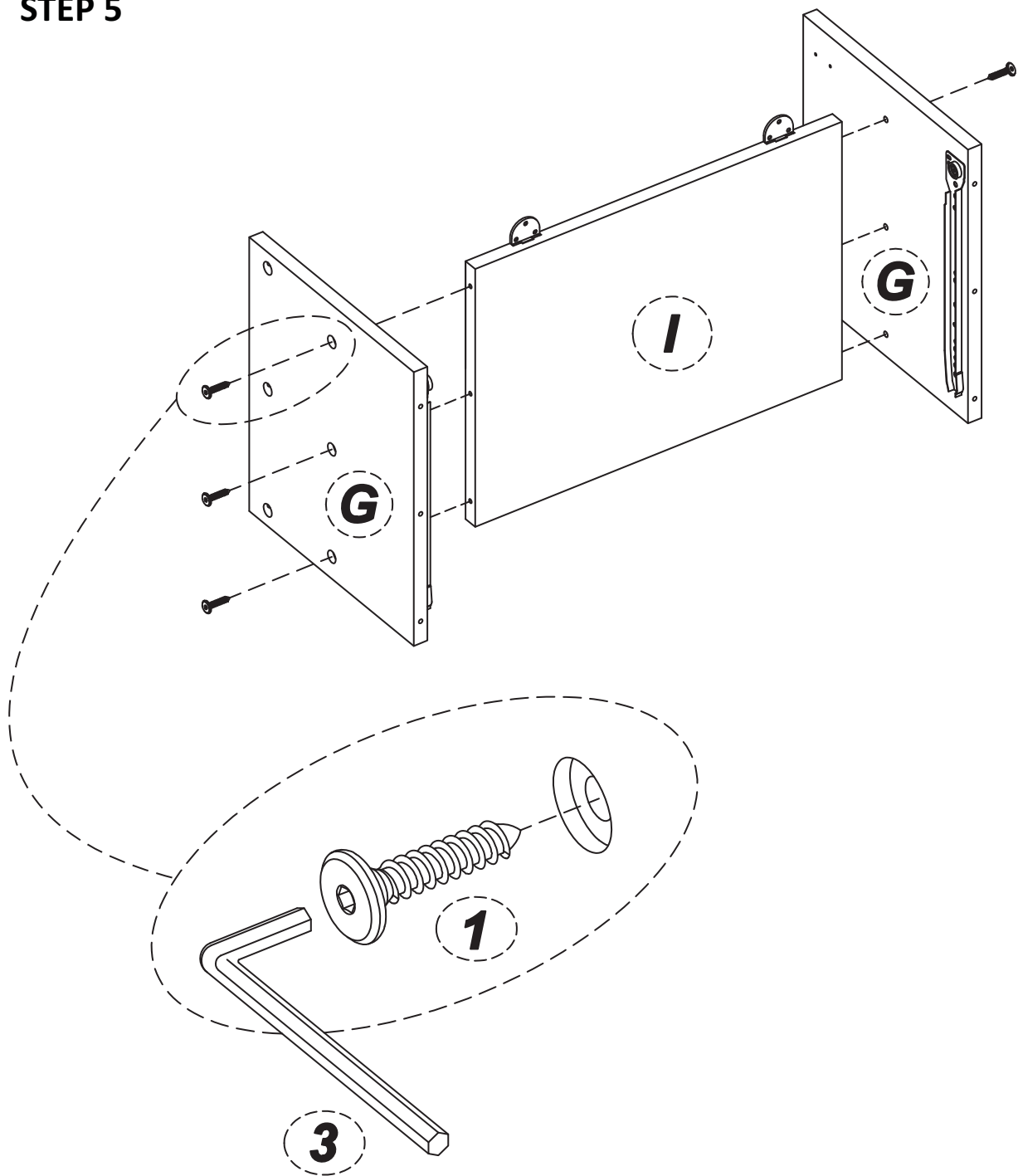


1. Use Phillips screwdriver to attach Handle (4) to Drawer Front (O).



ASSEMBLY

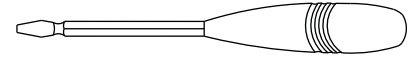
STEP 5



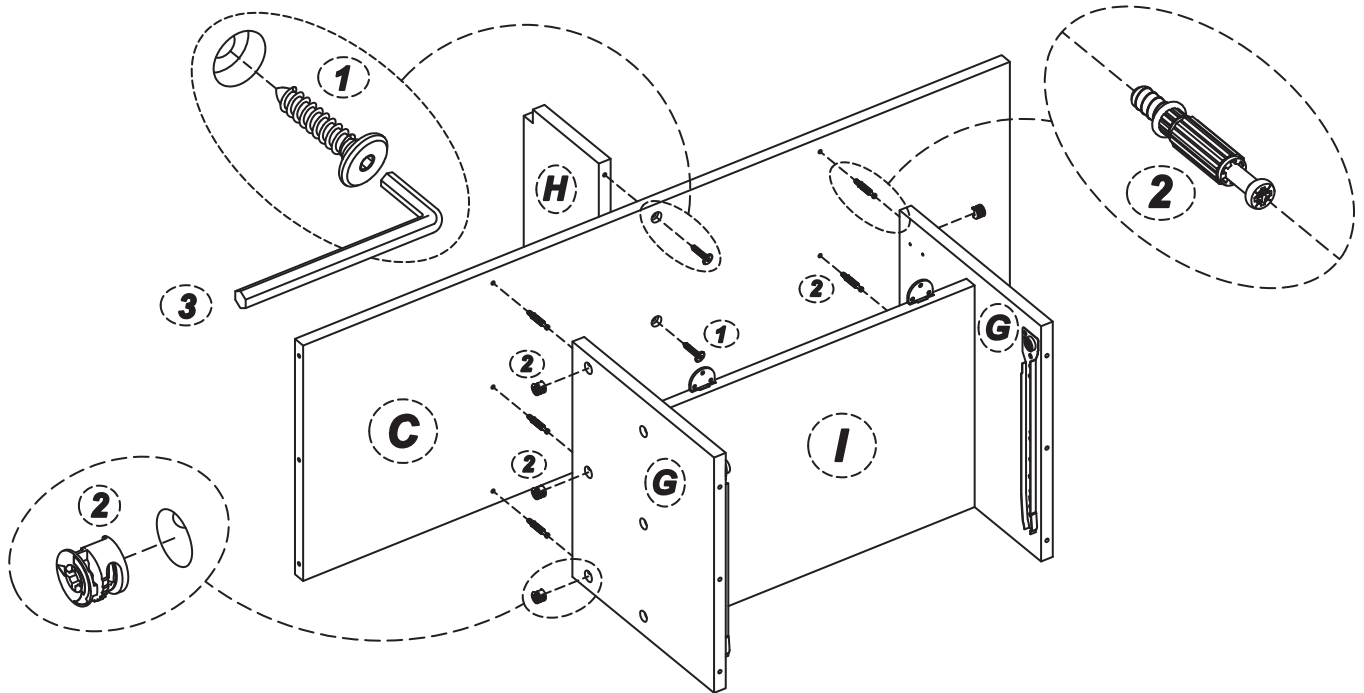
1. Attach Centre Shelf (I) to each Middle Divider (G) using 3 Allen Key Screws (1).
2. Use Allen Key (3) to tighten screws. Do not over-tighten.

ASSEMBLY

STEP 6



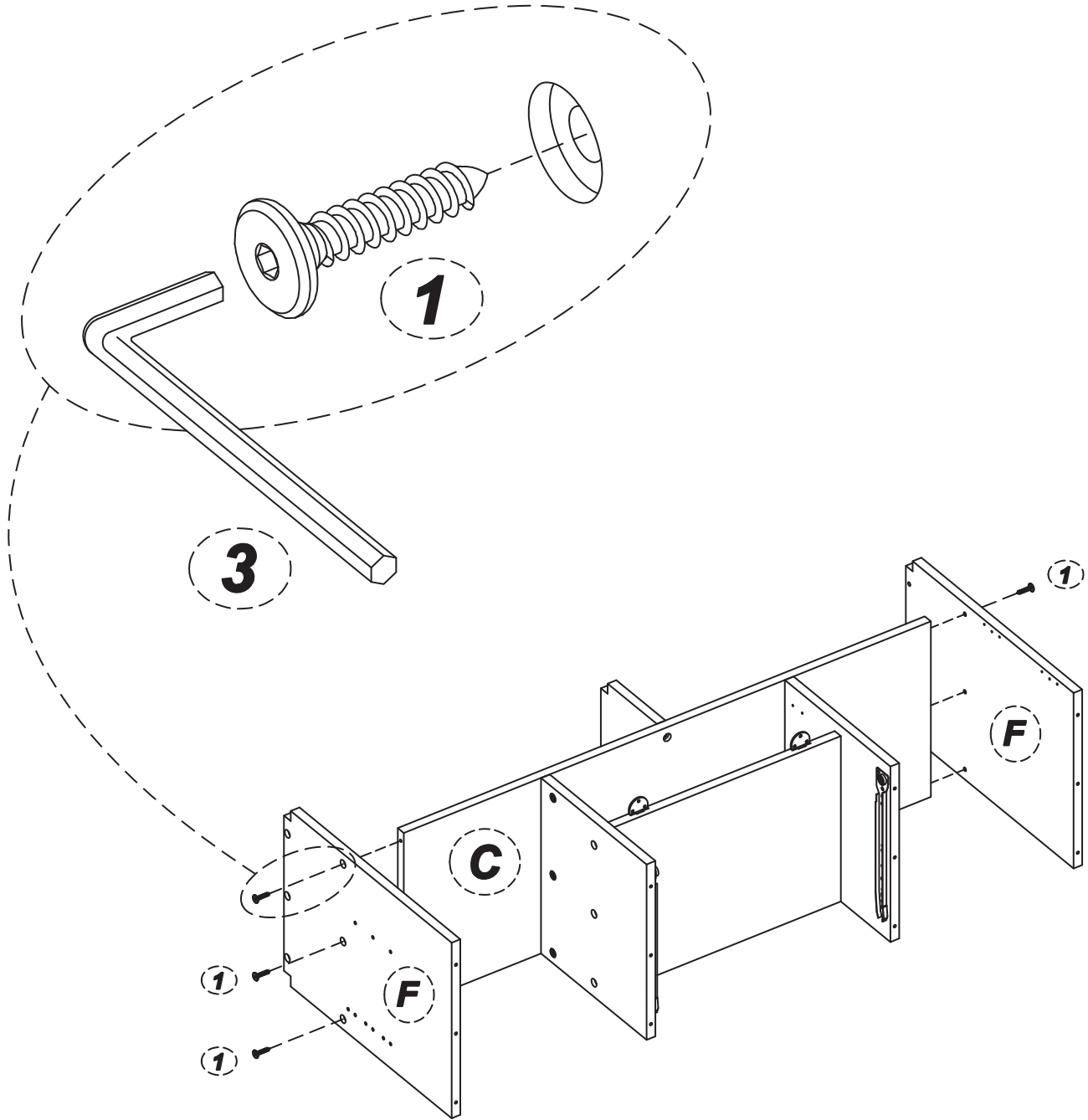
NOTE: The screwdriver is not included in the hardware pack.



1. Attach 6 Cam Lock Pins (2) into pre-drilled holes on the bottom of Top Shelf (C).
2. Align Cam Lock Pins with pre-drilled holes on Middle Divider (G).
3. Insert 3 Cam Lock (2) into pre-drilled holes on each Middle Divider (G).
4. Use flathead screwdriver to secure Cam Lock .
5. Attach Top Divider (H) to Top Shelf (C) using 3 Allen Key Screws (1).

ASSEMBLY

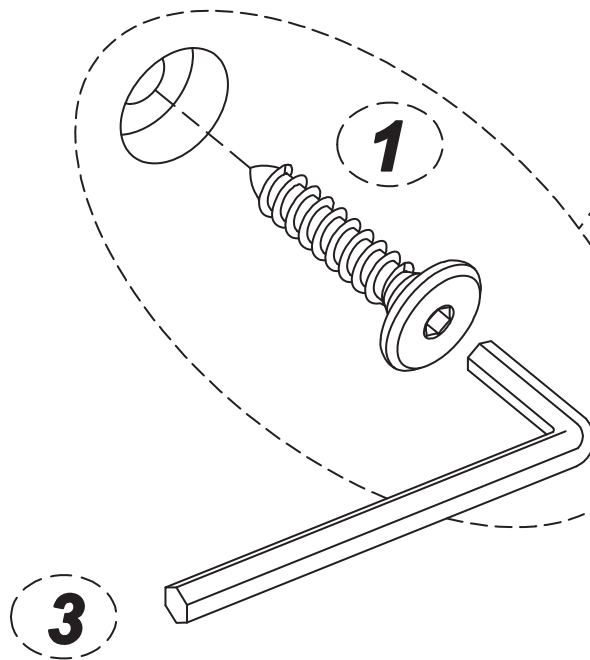
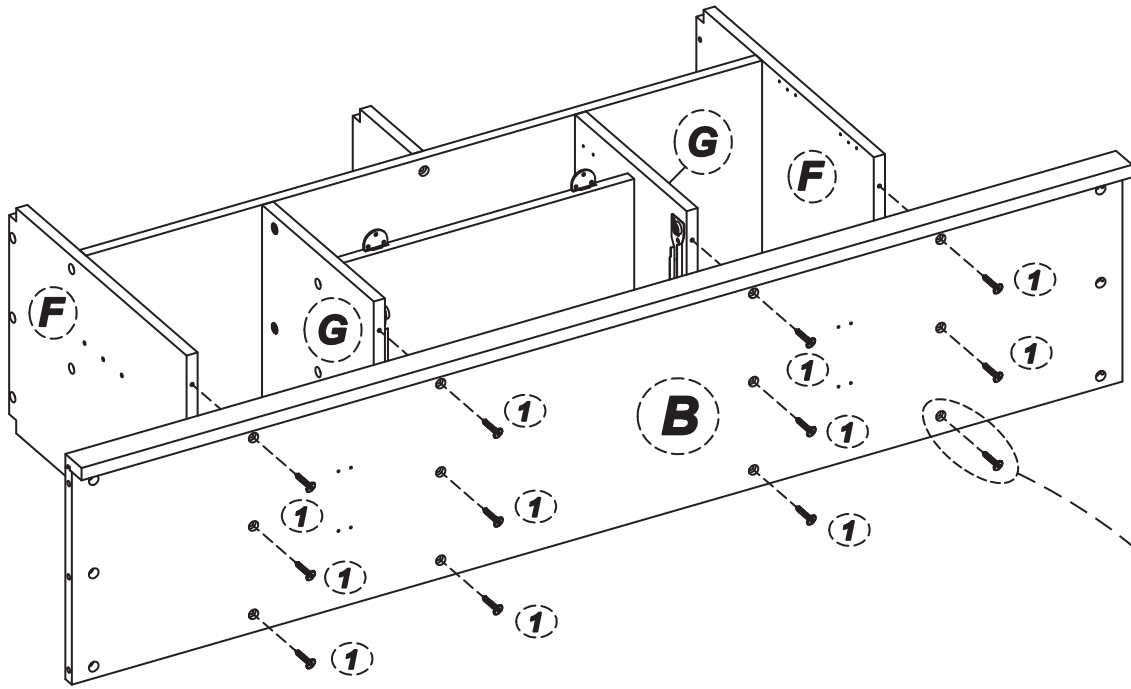
STEP 7



1. Attach Top Shelf (C) to each Divider (F) using 3 Allen Key Screws (1).
2. Use Allen Key (3) to tighten screws. Do not over-tighten.

ASSEMBLY

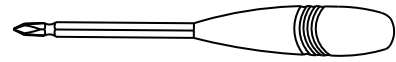
STEP 8



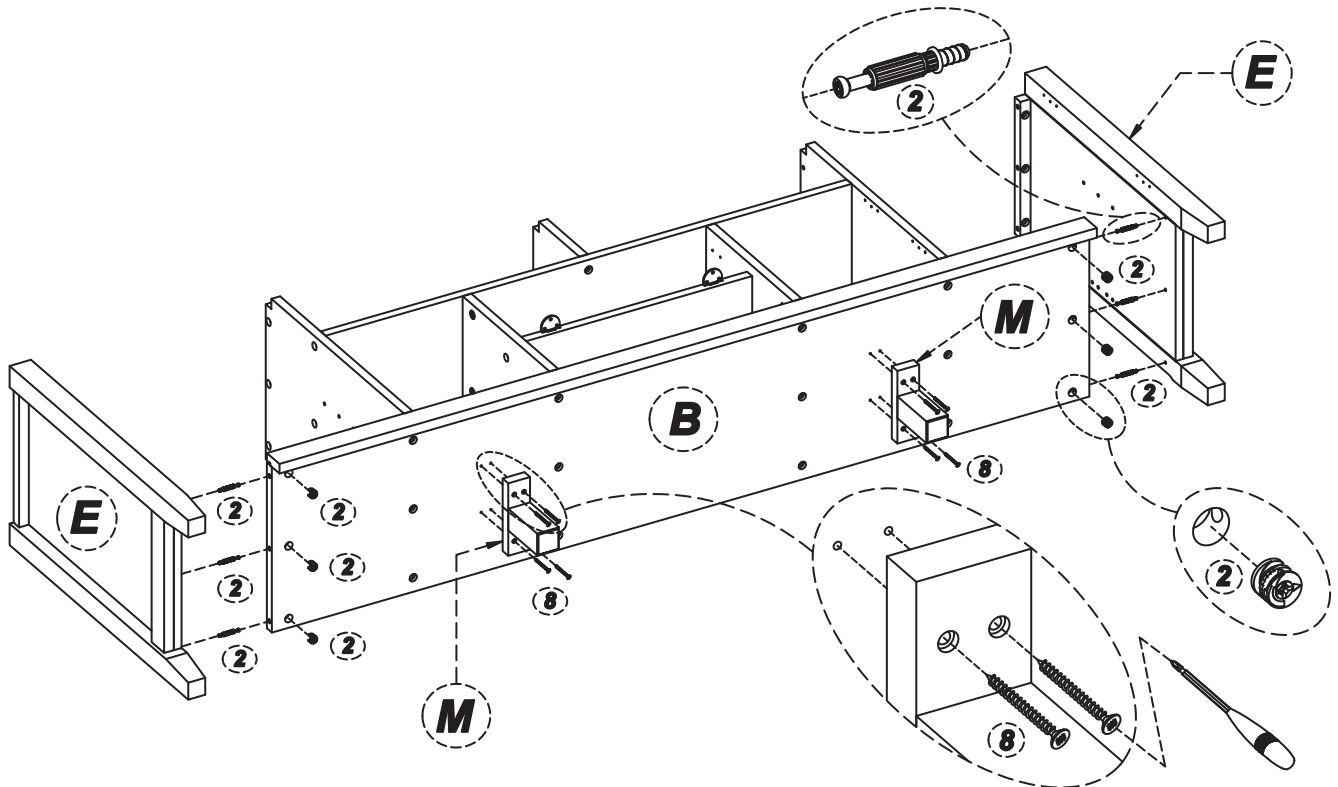
1. Attach Bottom Shelf (B) to Dividers (F) & (G) using 12 Allen Key Screws (1) (3 Allen Key Screws / each Divider).
2. Use Allen Key (3) to tighten screws. Do not over-tighten.

ASSEMBLY

STEP 9



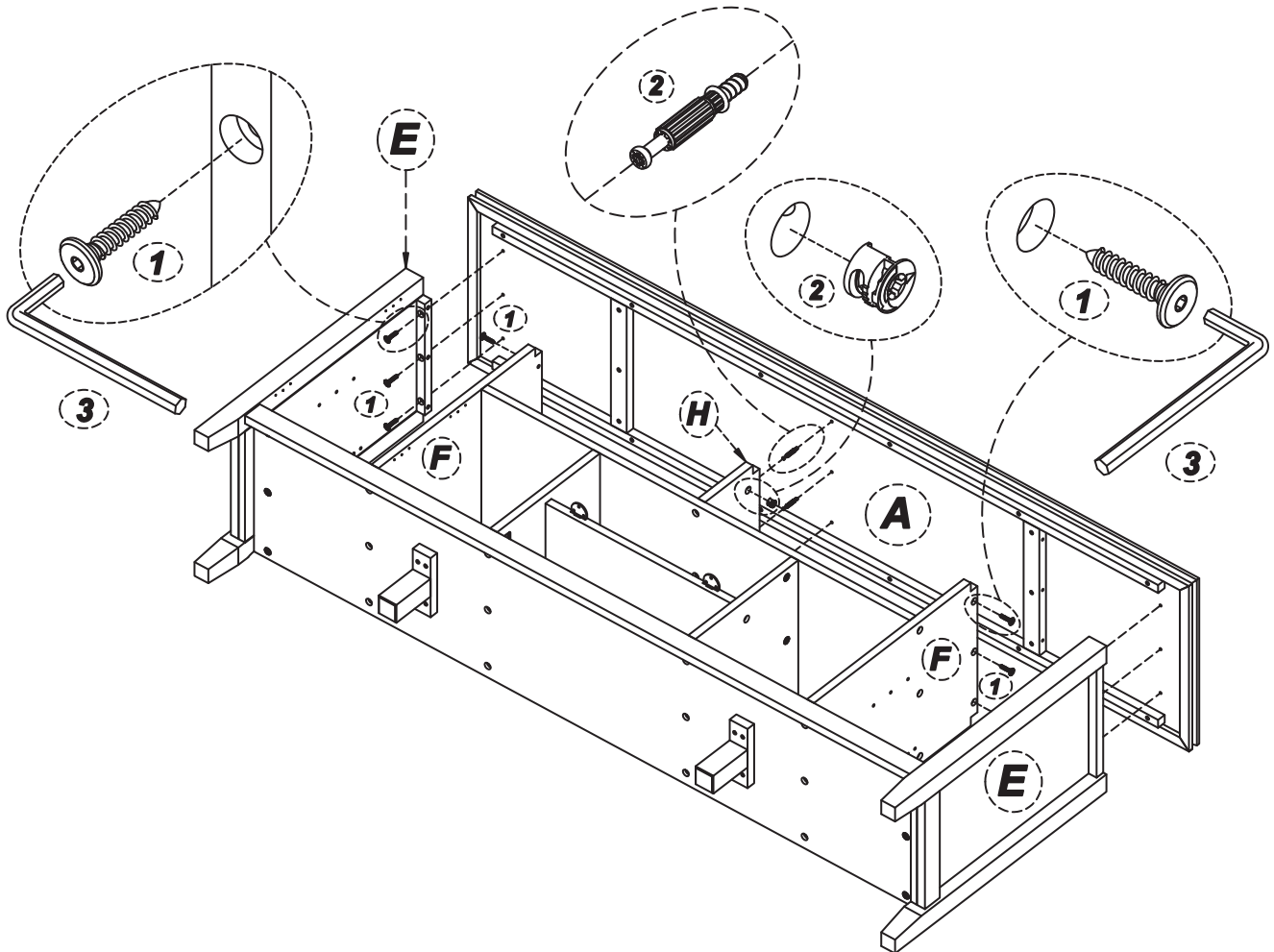
NOTE: The screwdriver is not included in the hardware pack.



1. Attach 3 Cam Lock Pins (2) to each Side (E).
2. Align Cam Lock Pins with pre-drilled holes and attach Bottom Shelf (B).
3. Insert 6 Cam Lock (2) into pre-drilled holes on Bottom Shelf (B).
4. Use flathead screwdriver to secure Cam Lock .
5. Attach 2 Bottom Support Legs (M) to Bottom Shelf (B) using 8 Phillip Screws (8).

ASSEMBLY

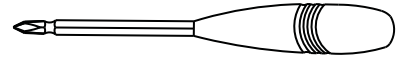
STEP 10



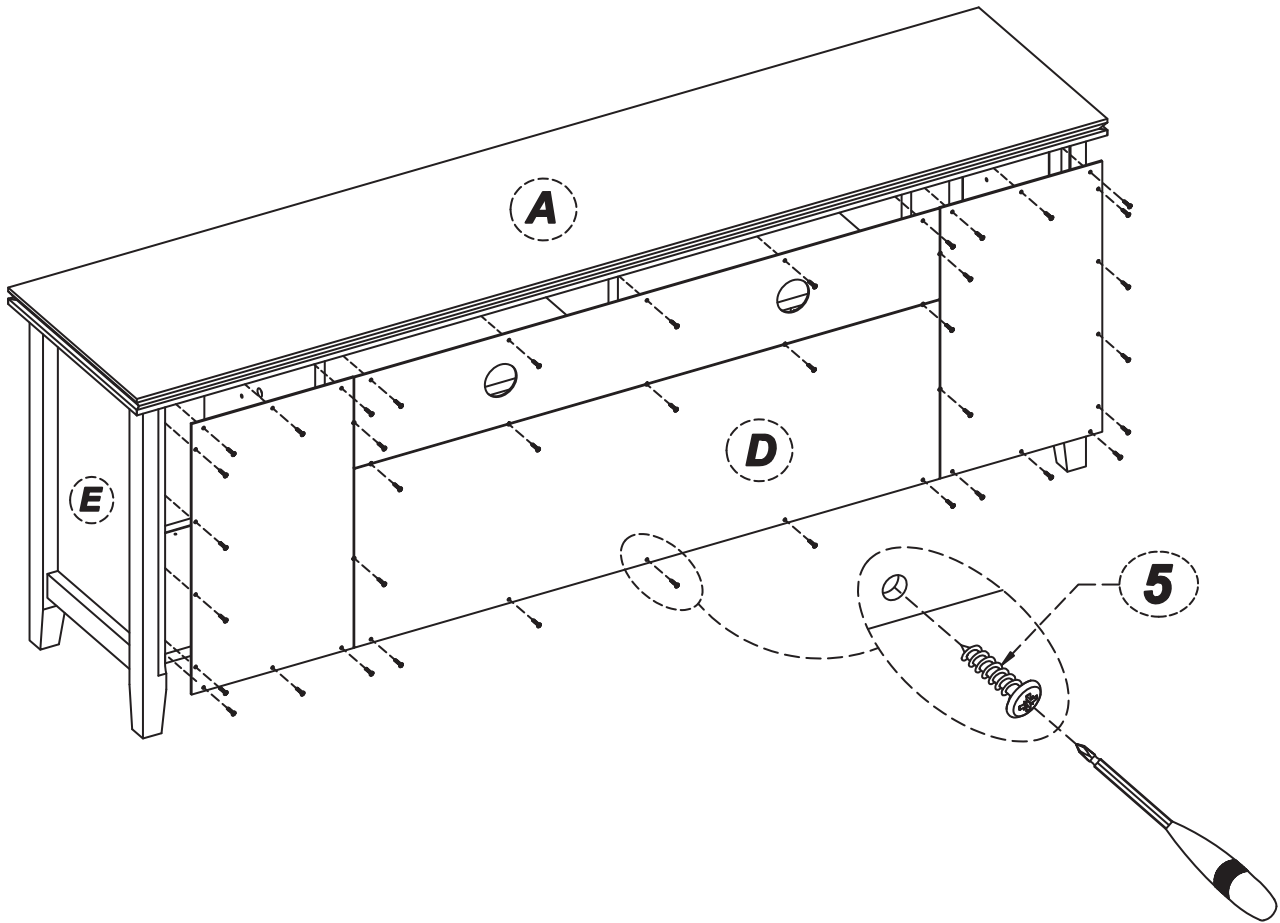
1. Attach 3 Cam Lock Pins (2) into pre-drilled holes on bottom of Top (A) (at center).
2. Align Cam Lock Pins with pre-drilled holes on Top Divider (H).
3. Insert 3 Cam Locks (2) into pre-drilled holes on Top Divider (H).
4. Use flathead screwdriver to secure Cam Lock .
5. Attach 2 Sides (E) and 2 Dividers (F) to bottom of Top (A) using 12 Allen Key Screws (1) (3 Allen Key Screws/ each part).

ASSEMBLY

STEP 11



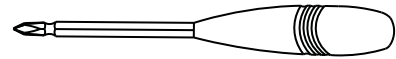
NOTE: The screwdriver is not included in the hardware pack.



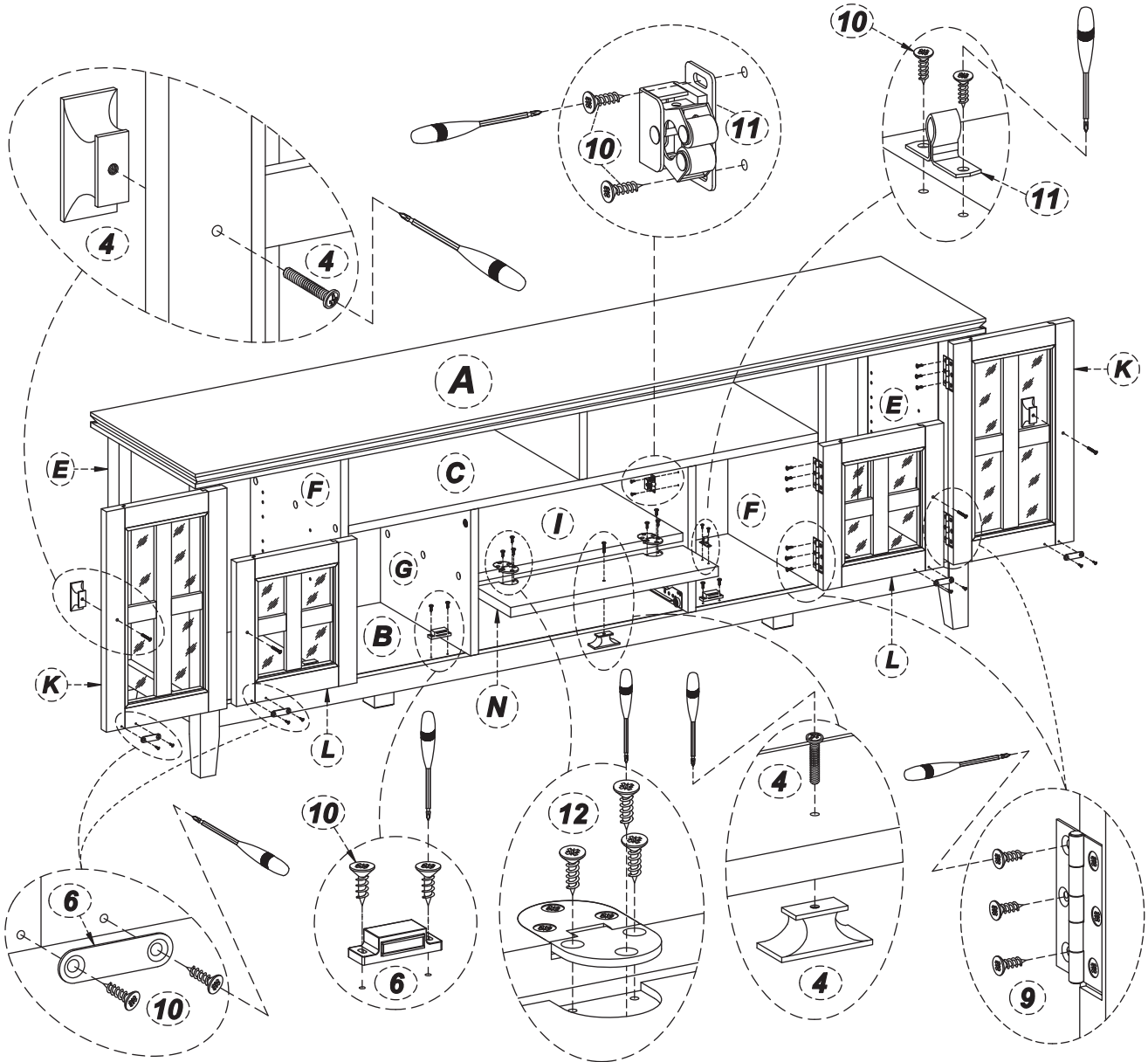
1. Attach Back Panels (D) to back of cabinet using Phillips Screws Round Head (5) into pre-drilled guide holes.
2. Use Phillips screwdriver to tighten screws.

ASSEMBLY

STEP 12



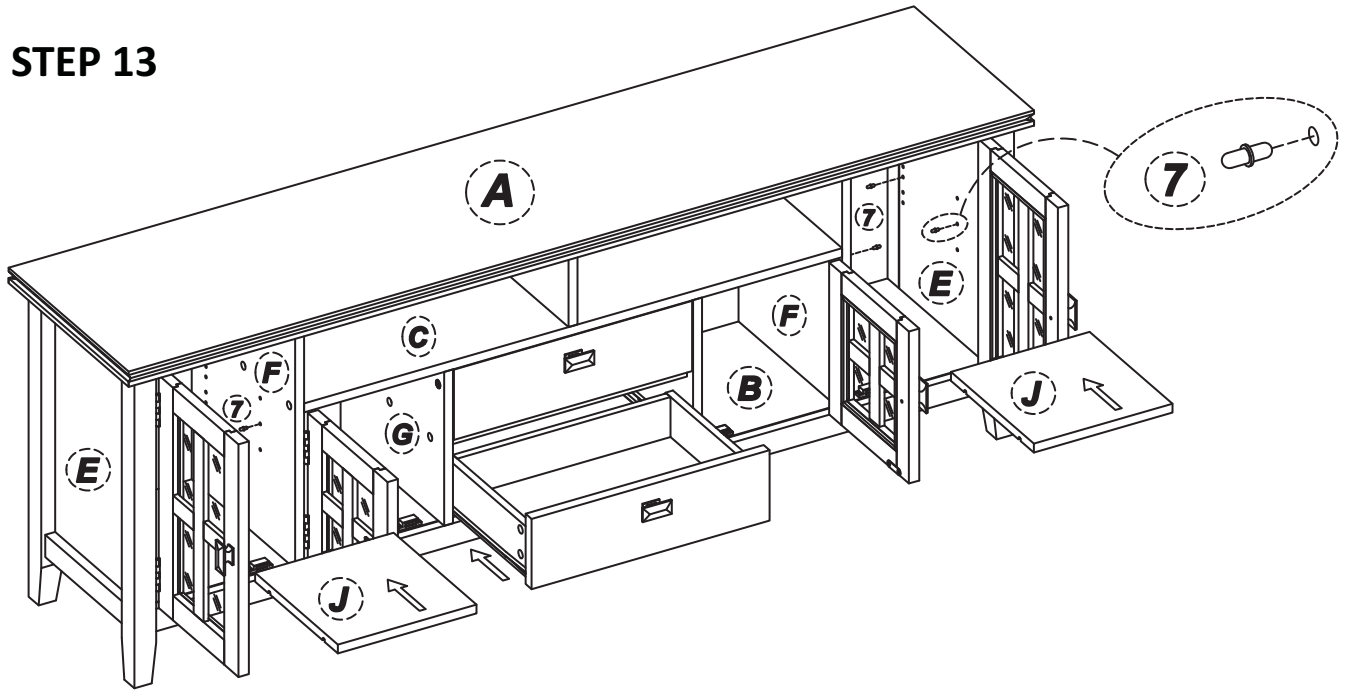
NOTE: The screwdriver is not included in the hardware pack.



1. Attach hinges on Doors (K) to Sides (E) using Phillips Screw (9) into guide holes.
2. Attach hinges on Doors (L) to Divider (F) using Phillips Screw (9) into guide holes.
3. Attach hinges on Center Shelf (I) to Flip Down Door (N) using Phillips Screw (12).
4. Attach 4 Magnet Plates (6) to bottom corner of Door (K) and Door (L) using Phillip Screw (10) into guide holes.
5. Attach 4 Magnets (6) using Phillip Screw (10) into guide holes on Bottom shelf (B).
6. Attach Latch (11) to Divider (G) and Flip Down Door (N) using Phillip Screw (10) into guide holes.
7. Use a Phillip screwdriver to attach Handles (4) to Doors (K), (L) & Flip Down Door (N) through pre-drilled holes.

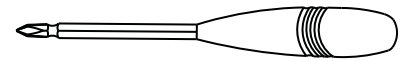
ASSEMBLY

STEP 13

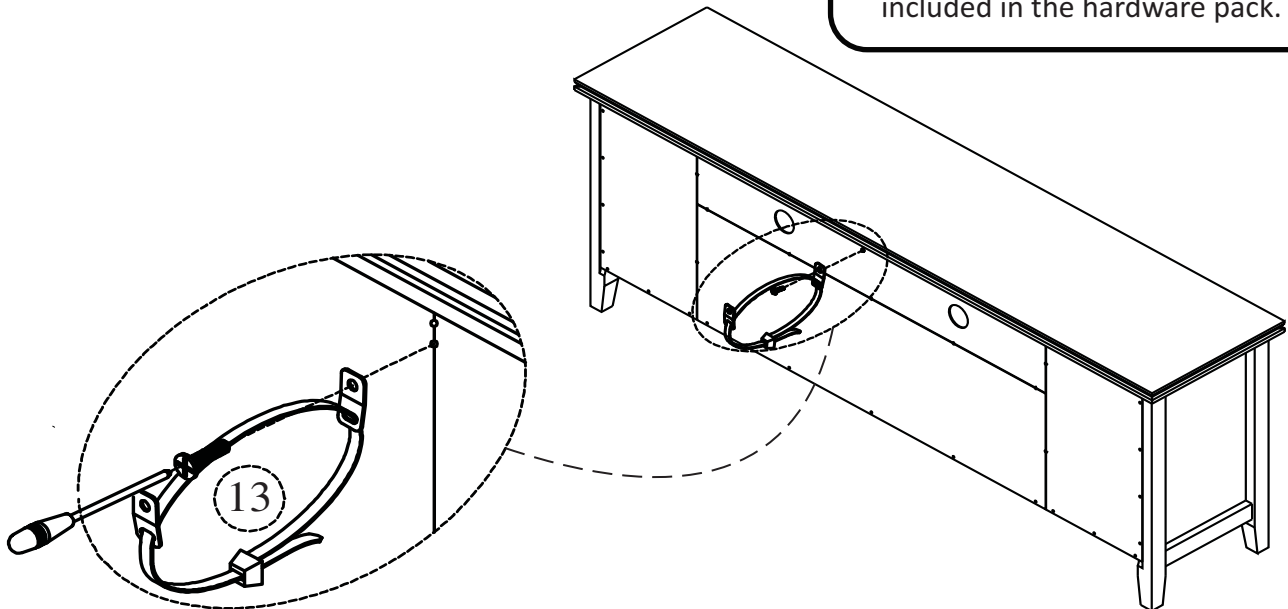


1. Use 4 Shelf Supports ⑦ for each Shelf ① in desired location .
2. 2 Shelf Supports ⑦ may be used on back top of each Shelf ① as a tipping restraint.

STEP 14



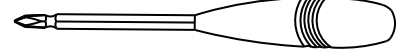
NOTE: The screwdriver is not included in the hardware pack.



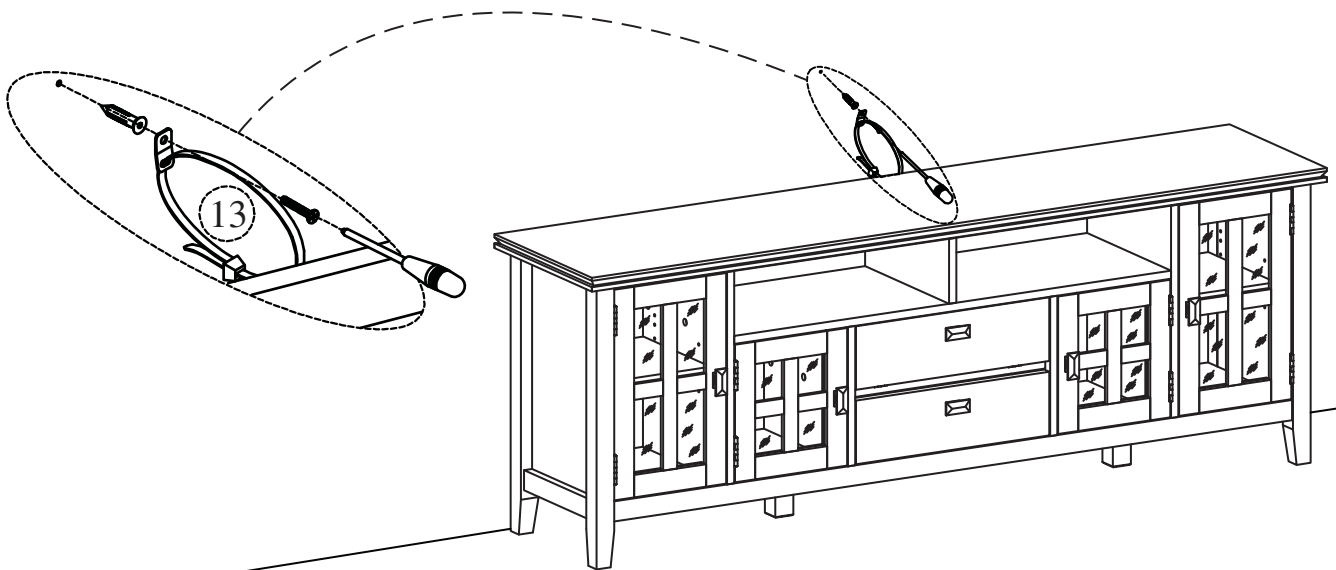
NOTE: Injuries and damage can occur from furniture tip-over. It is important to use the safety bracket included. If the tipping restraint kit is not in the box, please contact our customer service department in order to obtain another kit before using the furniture.

ASSEMBLY

STEP 15



NOTE: The screwdriver is not included in the hardware pack.



1. To attach Tipping Restraint (13), follow instructions on Tipping Restraint package.

When you determined the location for your unit, install the Furniture Tipping restraint. Carefully follow the instructions contained on the package.

WARRANTY

Thank you for purchasing product. These products have been made to demanding, high-quality standards and are guaranteed for domestic use against manufacturing faults for a period of 12 months from the date of purchase. This warranty does not affect your statutory rights.

In case of any malfunction of your product (failure, missing parts, etc.) please contact us at our toll free service line or by email.

We reserve the right to repair or replace the defective product, at its discretion.

This product is guaranteed for 12 months if used for normal purposes. Any warranty is invalid if the product has been overloaded or subject to neglect, improper use or an attempted repair by other than an authorized agent. Heavy-duty or daily professional/commercial usage are not guaranteed.

Due to continuous product improvement, we reserve the right to change the product specifications without prior notice.

PLEASE NOTE: This item is hand-crafted and hand-finished with utmost care. As such, variations and imperfections should be expected and should be welcomed as the natural beauty of the wood.