

ASSEMBLY INSTRUCTIONS



CAUTION

- ◆ Inspect the wire insulation for any cuts, abrasions, or exposed copper that may have resulted during shipping. If there is a defect in the wire, do not attempt installation.
- ◆ Before starting installation of this fixture or removal of a previous fixture, disconnect the power by turning off the circuit breaker or by removing the fuse at the fuse box.

TOOLS REQUIRED



Ladder

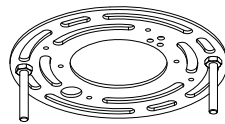


**Safety
glasses**

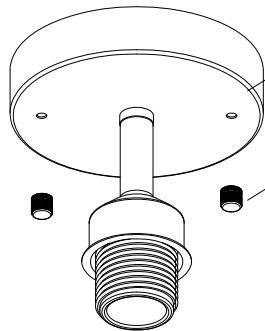


**Phillips
screwdriver**

PARTS SHOWN MAY DIFFER SLIGHTLY PER LIGHT FIXTURE

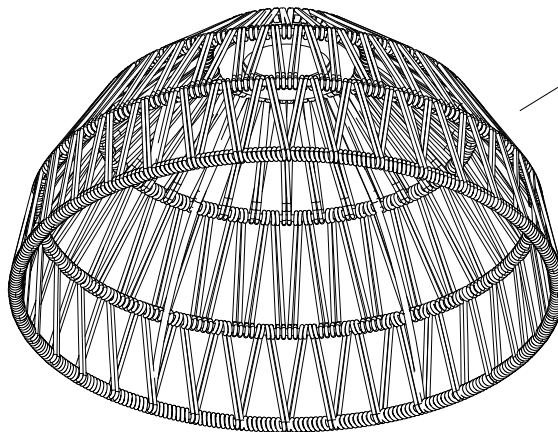


MOUNTING PLATE

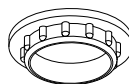


FIXTURE

NUT

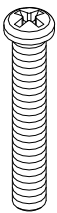


SHADE



SOCKET RING

PART BAG



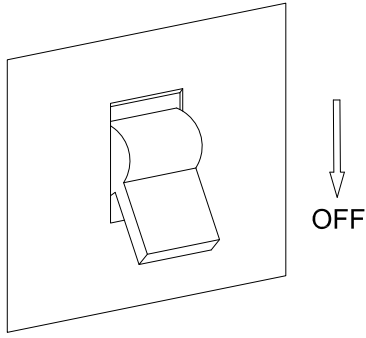
X2



X3

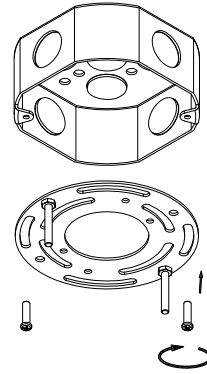
Step 1

Power off



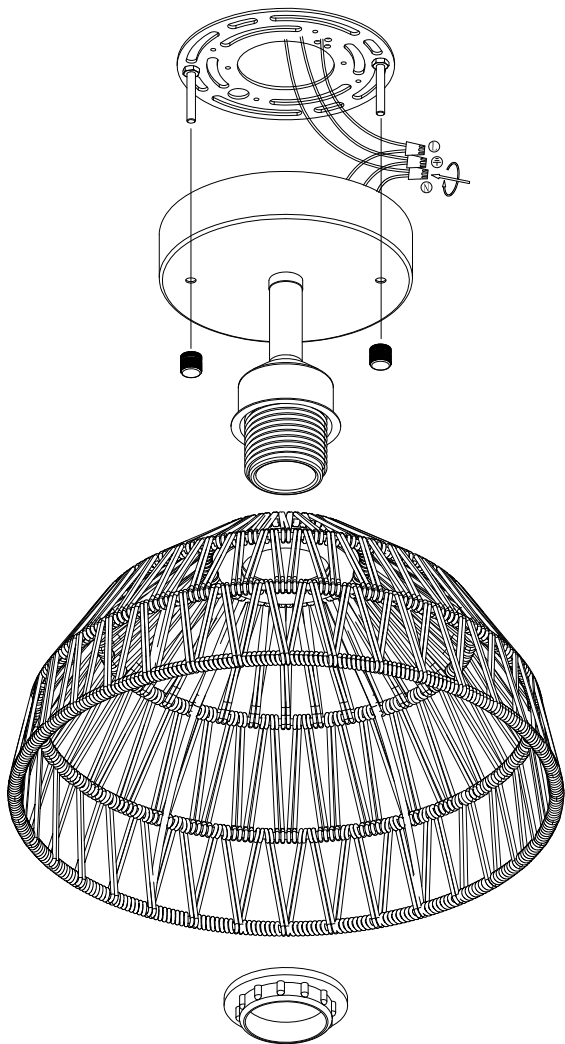
Step 2

Use the mounting screws to attach the mounting



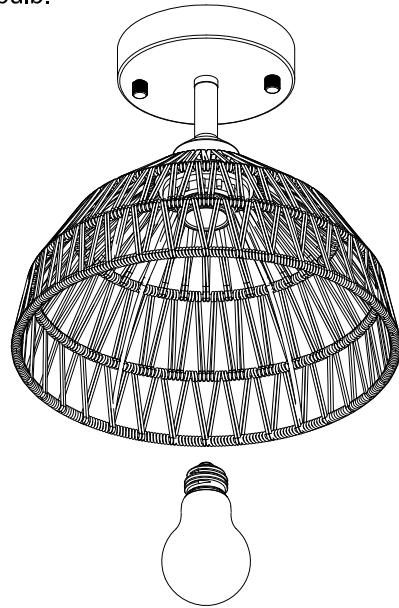
Step 3

- a. Connect the wire.
- b. Attach the fixture to the mounting plate with the nut
- c. Attach the shade to the mounting plate with the socket ring



Step 4

Install the bulb.



CEILING LIGHT

