



Bathtubs

BOV 01-66

OVE COLLECTION

Design Wetstyle Design Lab

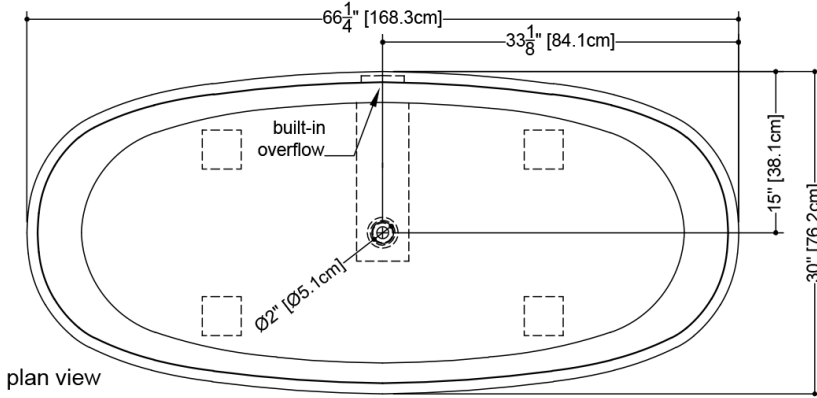


FEATURES




- Handcrafted in Montreal, Canada
- Integrated overflow
- Soft toe touch drain
- Plug & Bathe drain connection for quick install
- Oak bridge wenge shade included

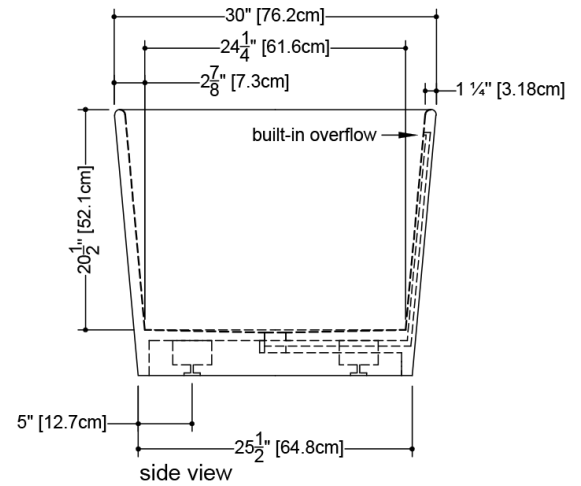
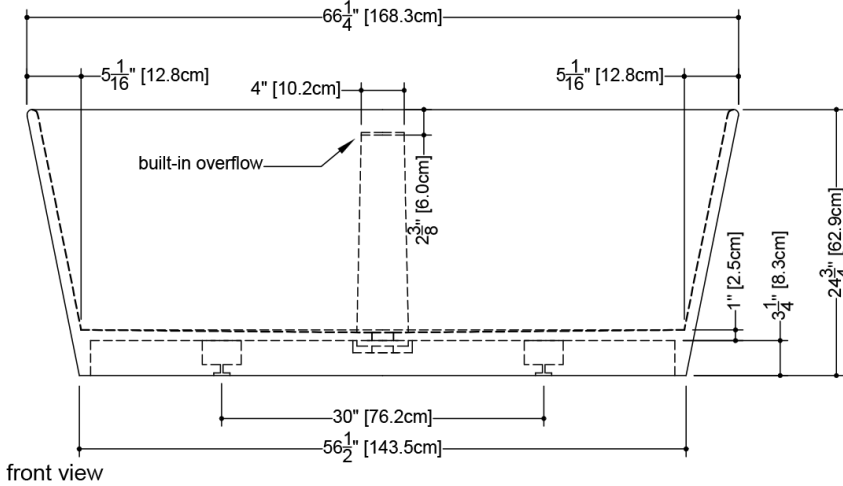
TECHNICAL DETAILS

- **Width:** 30"
- **Length:** 66.25"
- **Height:** 24.75"
- **Weight:** 183 lbs / 83 kg



WETSTYLE Plug & Bathe™ overflow and drain connection system includes:

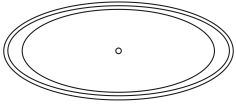
-  Soft-touch pop-up drain, for built-in overflow. Fits both 1-1/2" ABS drain waste and 1-1/2" tubular brass
-  1-1/2" ABS Direct vertical drain waste fitting (copper/brass option also available)
-  1-1/2" ABS 90° Elbow drain waste fitting (copper/brass option also available)



BOV 01-66

WETSTYLE cannot be held responsible for any technical errors and reserves the right to make revisions without notice. Approximate measurement. The manufacturer accepts $\frac{1}{4}$ " (6.35mm) variance.

AVAILABLE CONFIGURATIONS



Freestanding

OPTIONS

Model

- BOV01-66 - Freestanding

Drain Overflow Trim Finish

- Brushed Nickel Drain - No Trim Overflow (#BNNT)
- Brushed Nickel Drain and Overflow (#BN)
- Matte Black Drain - No Trim Overflow (#MBNT)
- Matte Black Drain and Overflow (#MB)
- Polished Chrome Drain - No Trim Overflow (#PCNT)
- Polished Chrome Drain and Overflow (#PC)
- Satin Brass Drain - No Trim Overflow (#SBNT)
- Satin Brass Drain and Overflow (#SB)

Wetmar Bio Finish

- White Matte (#MA)
- White True High Gloss (#GA)

Plumbing Connection

- Copper/Brass Connection - local code dependant (#COP)
- Standard ABS Connection

CODES/STANDARDS APPLICABLES

IAPMO-ANSI Z124.1
IAPMO-ANSI Z124.3
CSA B 45.0
CSA B 45.4
Mass Board Approved

FAUCET AREA RECOMMENDED

Floor-mounted, wall-mounted or column for wall or deck-mounted.