



IMPORTANT INFORMATION

Seller and Manufacturer disclaim all and any liability for property damage, personal injury, or loss, direct, indirect, or incidental, resulting from the incorrect assembly, inadequate maintenance, improper use, or neglect of this product.



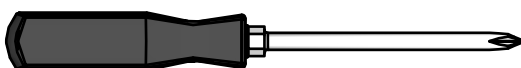
NOTICE

- Keep these assembly instructions for future reference.
- Do not use this product if there are missing, damaged, or broken parts until repairs are made and/or factory replacement parts are installed.
- Check all packing material carefully for small hardware that may have become loose inside the carton during shipment.
- Identify and count all hardware and parts to compare with parts and hardware list.
- Follow assembly instructions closely. Improper assembly can result in personal or property damage.
- Secure all bolts before use.
- Every 90 days check all bolts are secured.
- Some parts may have a sharp corner or edge and maybe heavy.
- Do not use or store this product near open flames or around flammable chemicals.
- When placing contents on non-carpeted flooring, it's recommended to use floor protection such as an area rug or furniture pads. These are not included with the purchase.
- Do not drag or push the bed frame. To ensure safe moving, always use two people to lift and re-position the bedframe. Avoid dragging or pushing it across the floor to prevent damage to the legs, slats and the center support legs.

REPLACEMENT PART OR HARDWARE REQUEST:

Request a replacement by logging into the marketplace account in which the purchase was made and sending a message to the seller. To assist in expediting the request attach applicable images relevant to the request and/or part number and quantity.

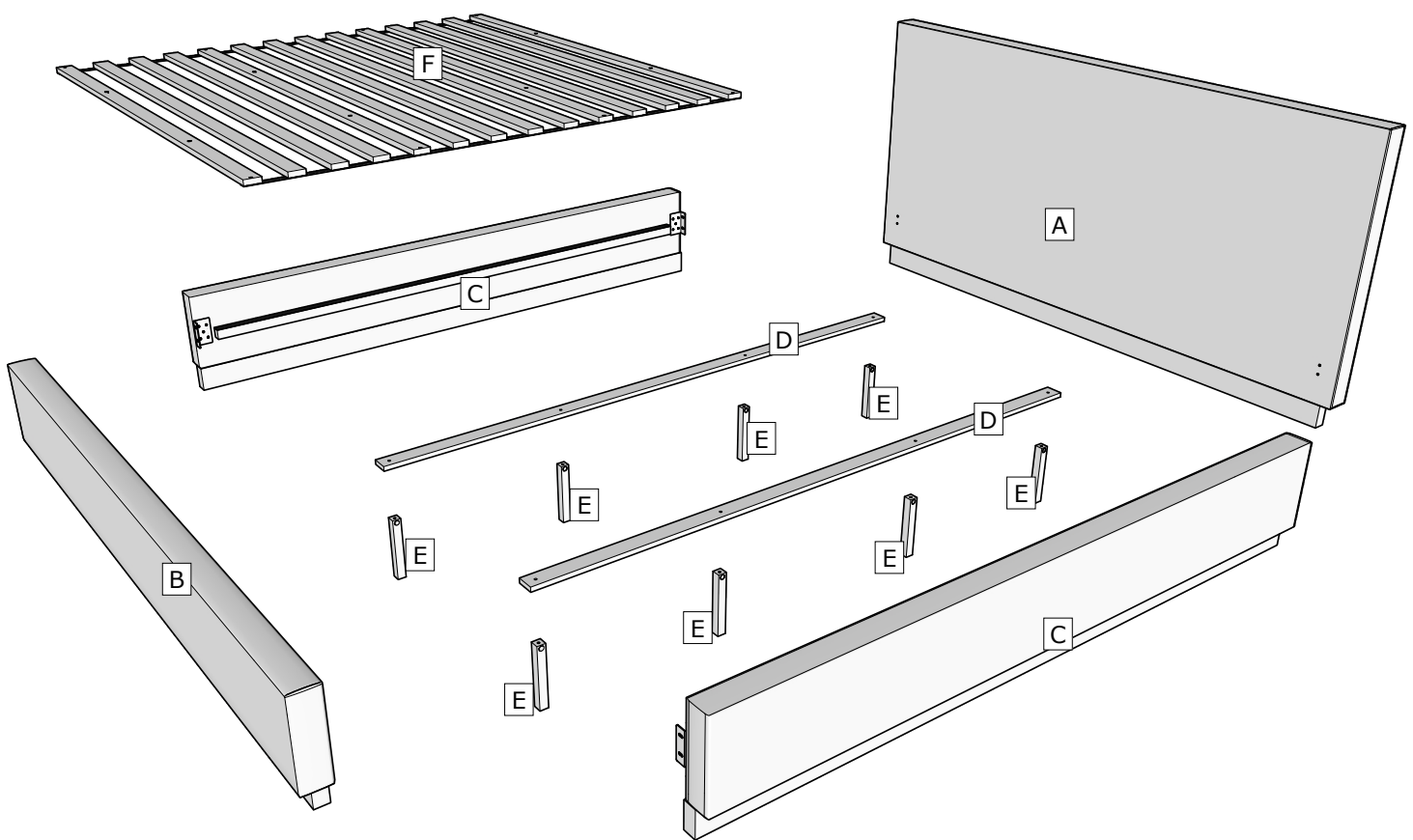
ADDITIONAL TOOL REQUIRED:



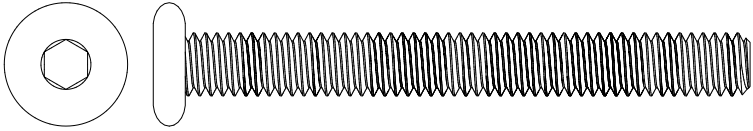
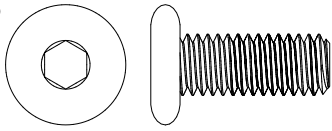
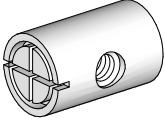

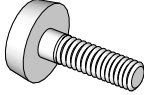

**#2 Philips Screwdriver
(Not Provided)**

BED PARTS


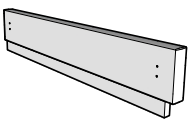



- A..... Headboard x 1
- B..... Footboard x 1
- C..... Side Rail x 2
- D..... Center Rail..... x 2
- E..... Center Support Leg..... x 8
- F..... Bed Slat x 14

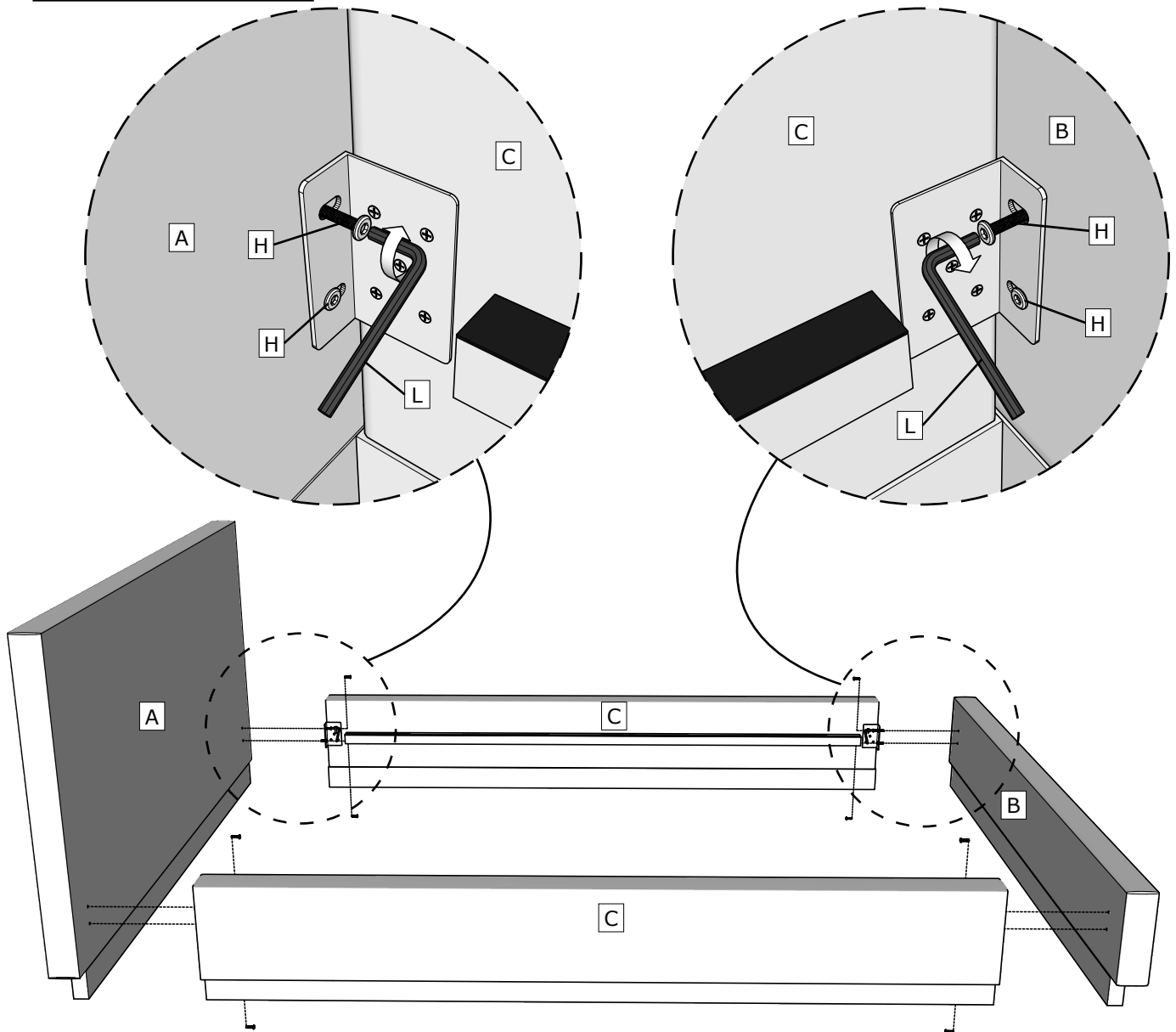


HARDWARE

<p>G Bolt x 8</p>  <p>M8 x 75mm</p>	<p>H Bolt x 8</p>  <p>M8 x 20mm</p>	
<p>I Barrel Nut x 8</p>  <p>M8 x 18 mm</p>	<p>J Screw x 8</p>  <p>M4 x 32mm</p>	<p>K Adjustable Feet x 8</p> 
<p>L Hex Key Wrench x 1</p>  <p>M5</p>		

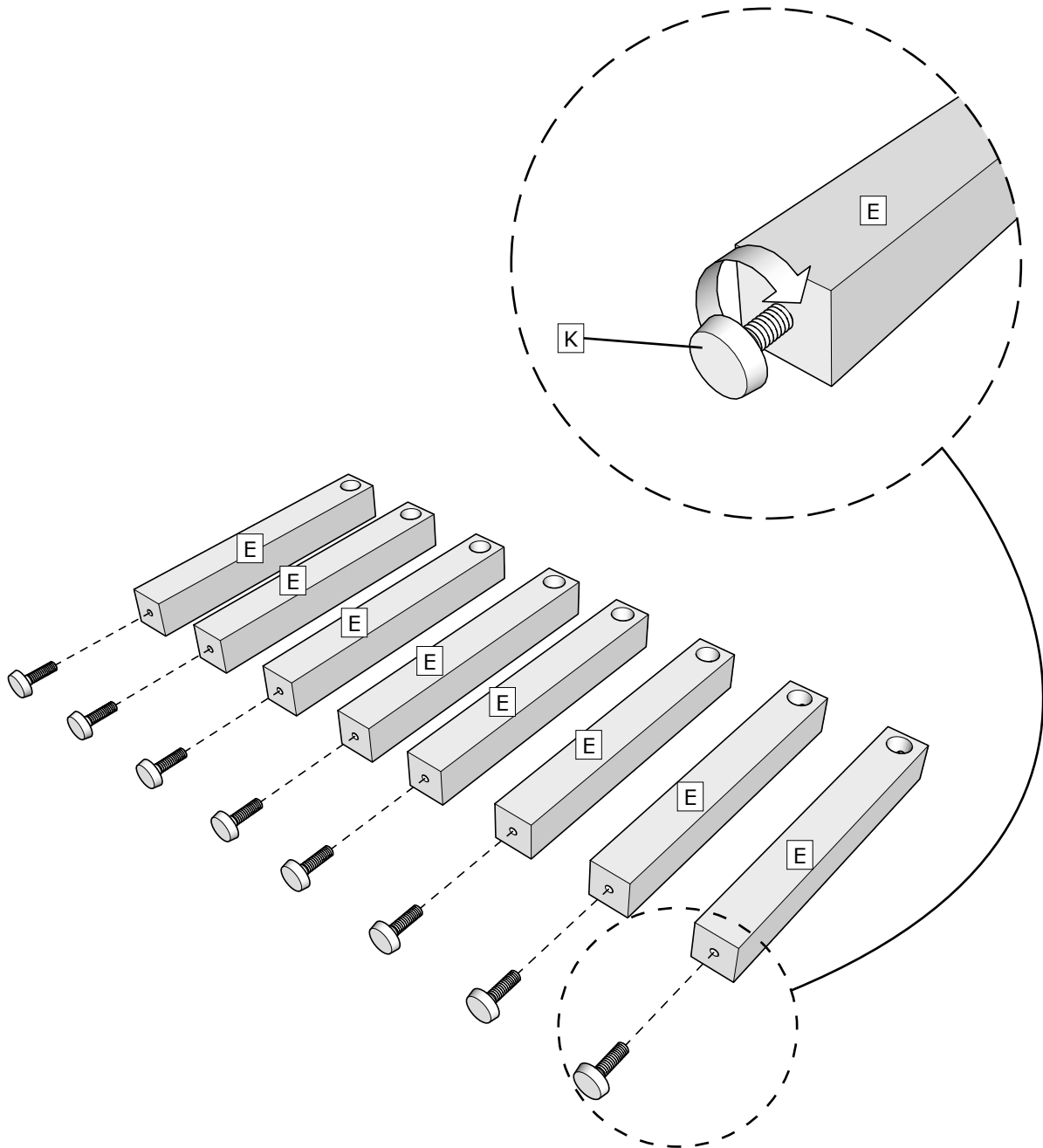
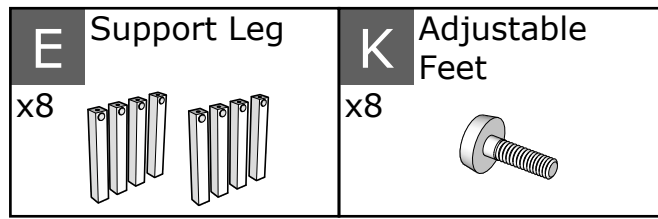
BED ASSEMBLY STEP 1

A Headboard x1 	B Footboard x1 	C Side Rail x2 	H Bolt x8  M8 x 20mm
L Hex Key Wrench x1  M5			



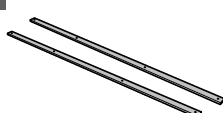
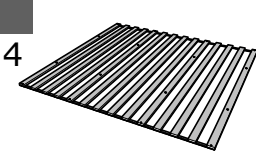

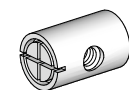


Attach **A** and **B** to **C** with **H** using a Hex Key Wrench **L** as shown.

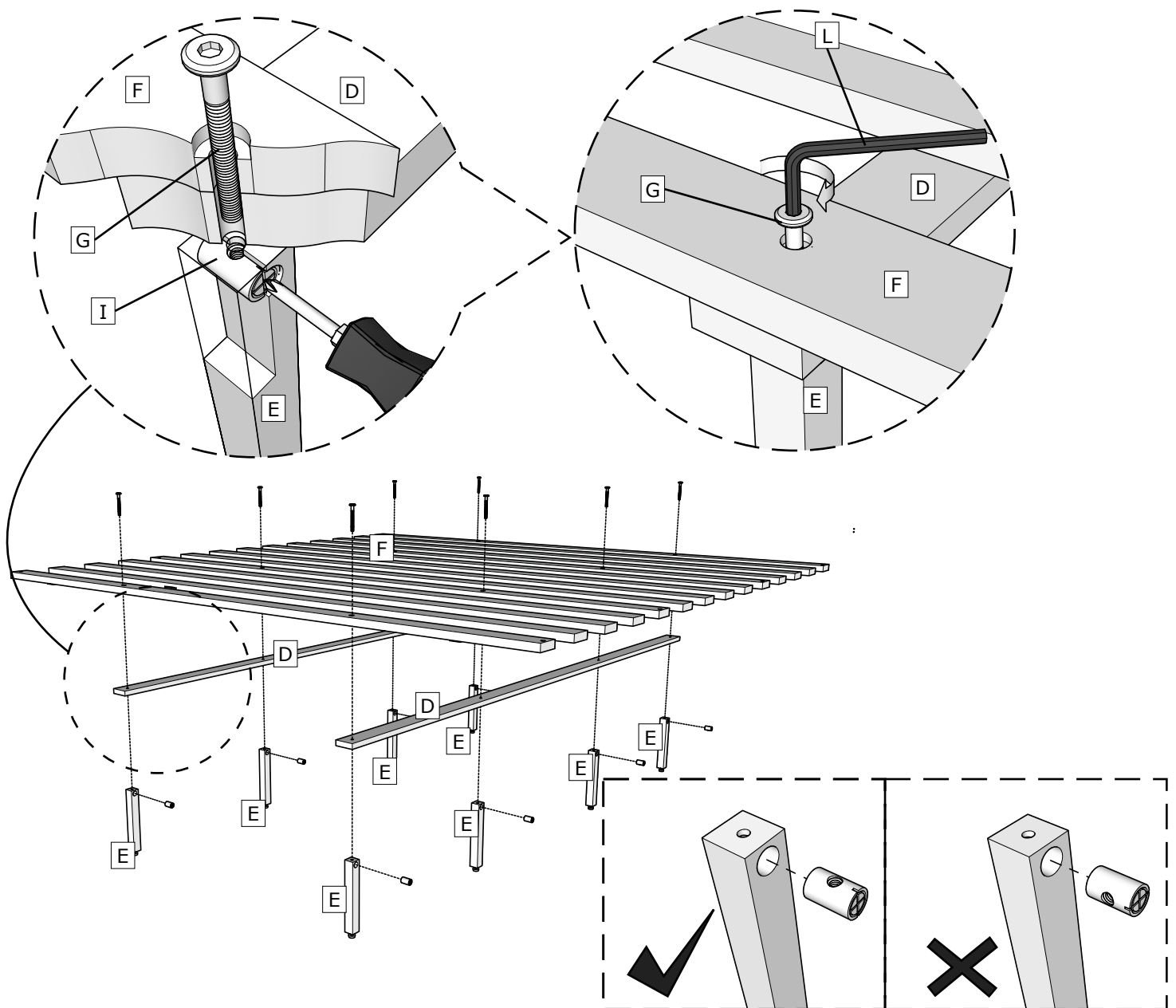
BED ASSEMBLY STEP 2



Insert **K** to **E** as shown.

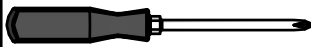

BED ASSEMBLY STEP 3

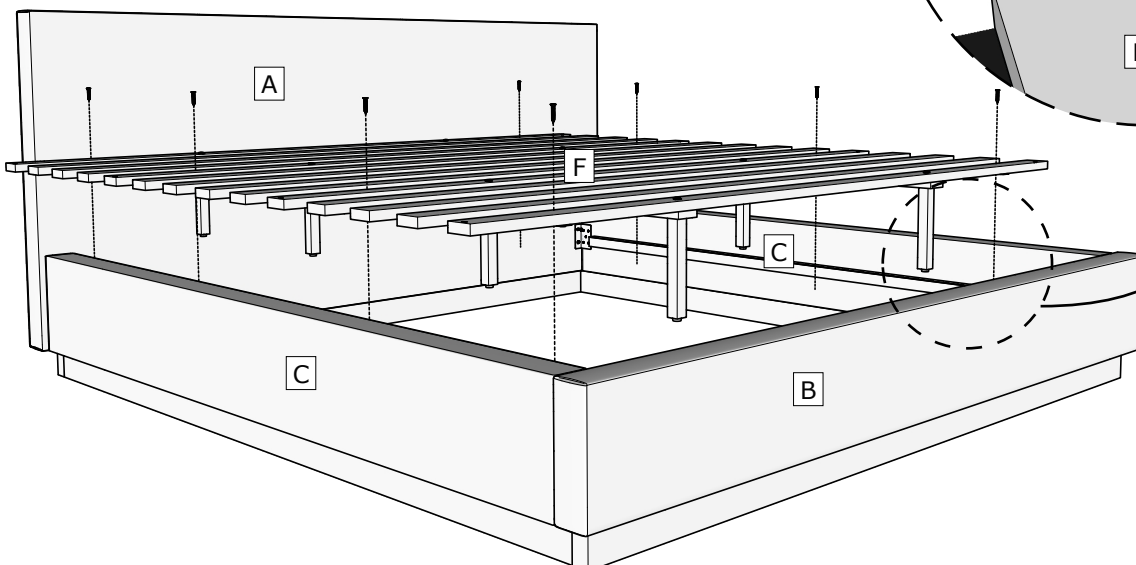
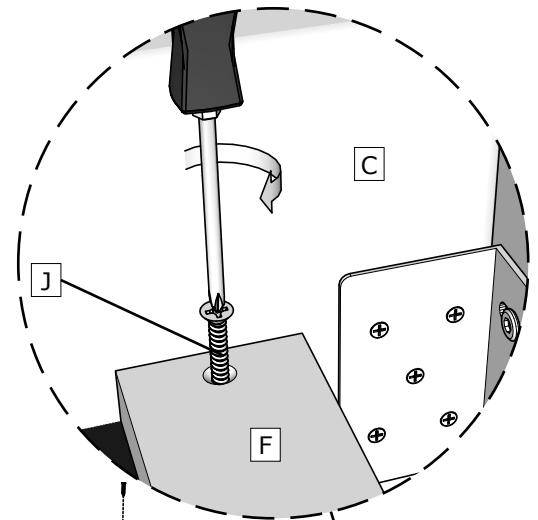
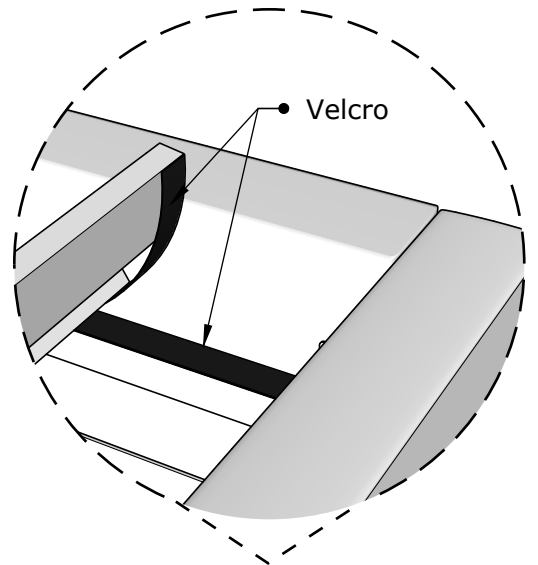
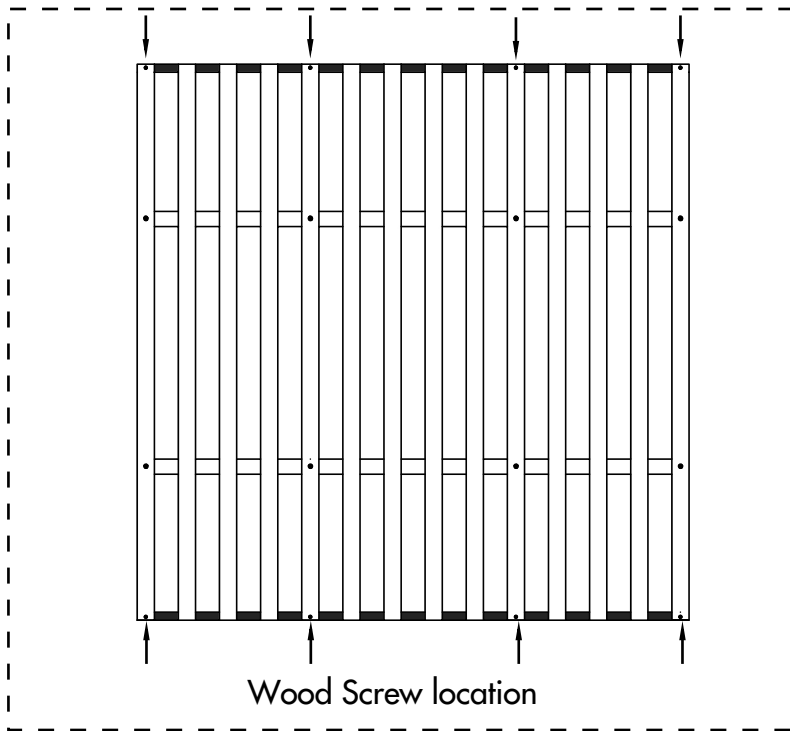
D Center Rail x2 	F Bed Slat x14 	G Bolt x8 M8 x 75mm 	I Barrel Nut x8 M8 x 18mm 
L Hex Key Wrench x1 M5 	Philips Screwdriver Not provided 		



Attach **E** and **F** to **D** with **G** and **I** using a Philips Screwdriver and Hex Key Wrench **L** as shown.

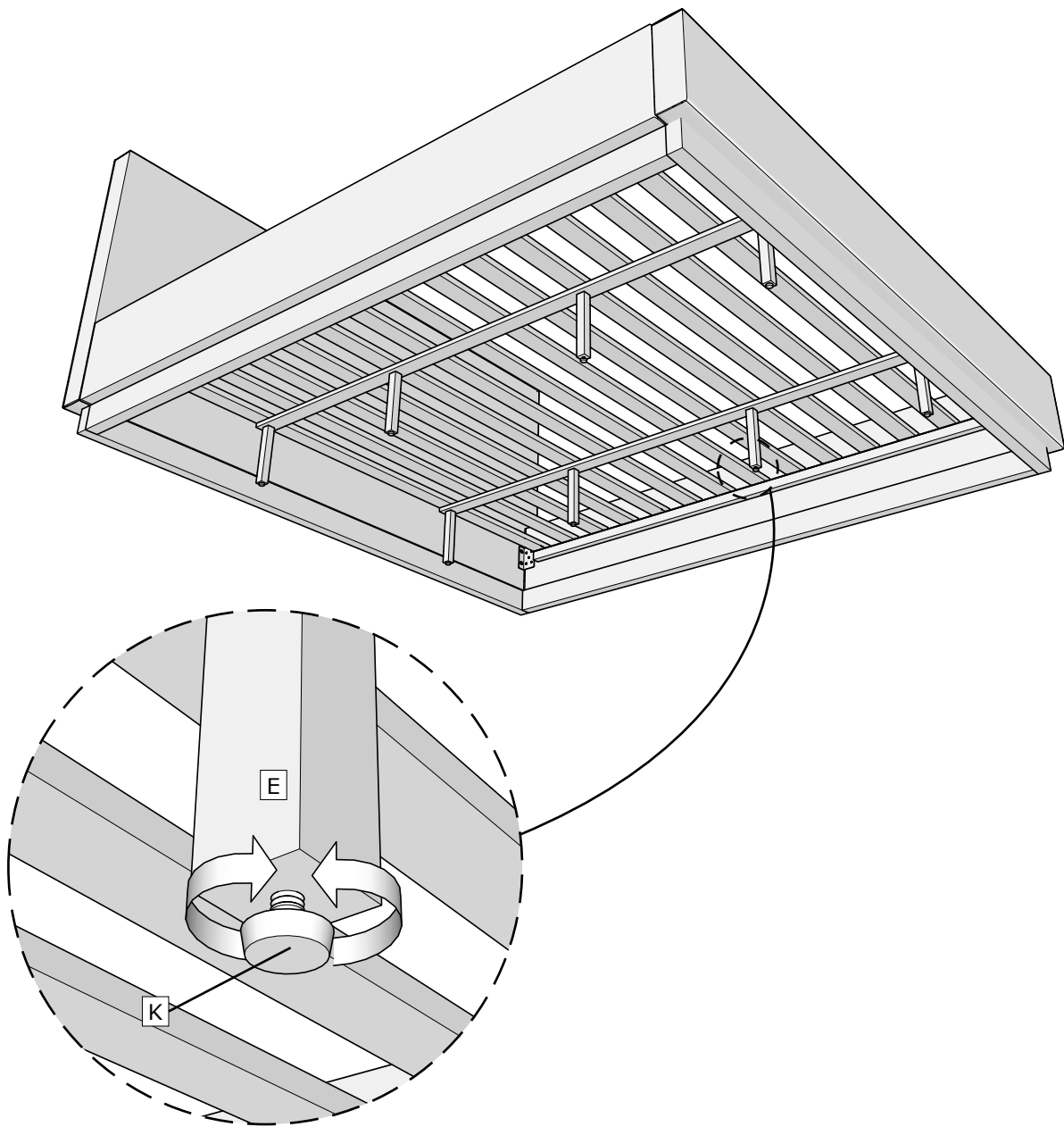
BED ASSEMBLY STEP 4

J Screw	Philips Screwdriver
x8	
 M4 x 32mm	Not provided



Attach Assembled Bed Slat to Assembled Bed with **J** using a Screwdriver as shown.

BED ASSEMBLY STEP 5



WARNING!

- Make Sure that Adjustable Feet are perpendicular to the floor before using the bed. Rotate Adjustable Feet clockwise or counter clockwise until it is firmly against the floor.
- Do not drag or push the bed frame. To ensure safe moving, always use two people to lift and re-position the bed frame. Avoid dragging or pushing it across the floor to prevent damage to the legs, slats, and center support legs.