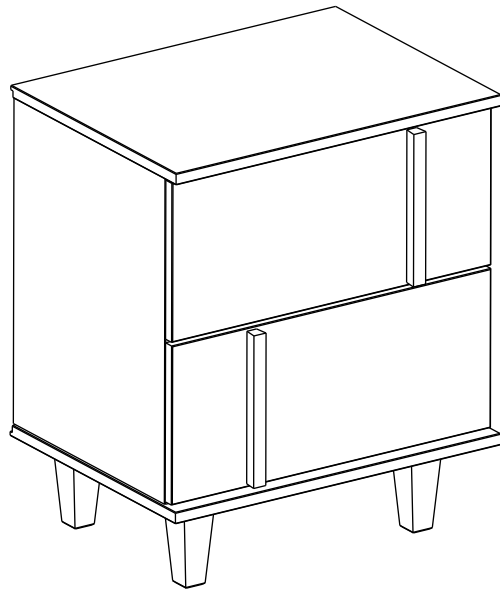
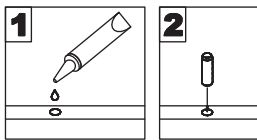


# Assembly Instructions

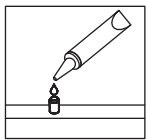


# General Assembly Guidelines

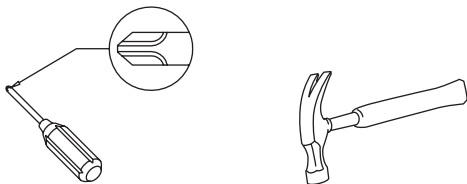
- I. Ensure that all parts and hardware are available before beginning assembly.
- II. Follow each step carefully to ensure the proper assembly of this product.
- III. Two people are recommended for ease in the assembly of this product.
- IV. The three main types of hardware used to assemble this product are wood dowels, screws and bolts.
- V. The provided glue is to secure wood dowels in place. When first inserting dowels, locate the appropriate hole for the dowel, place a small amount of glue in the hole and insert the dowel. Wipe away excess glue immediately.



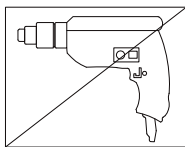
In future assembly steps when dowels are necessary to attach assembly parts together, place a small amount of glue on the end of the dowel before attaching parts together. Wipe away excess glue immediately.



- VI. A Phillips head screwdriver and hammer is required for the assembly of this product.



- VII. Power tools should not be used to assemble this product.

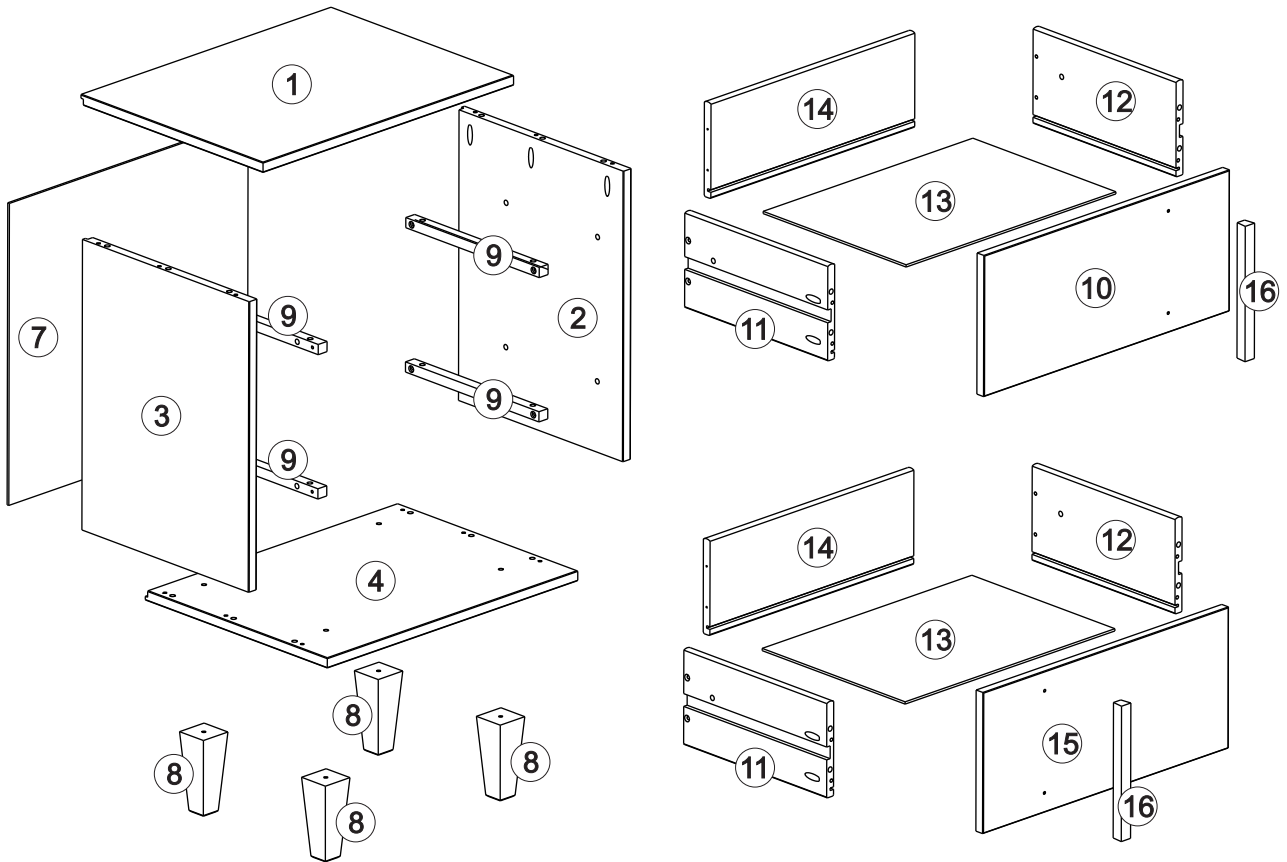


## VIII. Maintenance Guide

To maintain long term performance and easy gliding of your solid wood drawers, we recommend applying wax to the wooden guide rails.

1. Bee's wax is recommended or Paraffin wax from a standard candle can be used.
2. Apply the wax by rubbing it on the wooden guide rails where there is wood-on-wood contact when opening and closing the drawer. (Wax should be room temperature, do not melt the wax onto the wood)
3. Wax should be applied every few months for the first year and then only when needed after that to keep the drawers sliding smoothly.

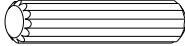




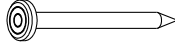
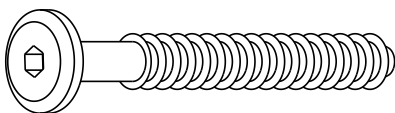

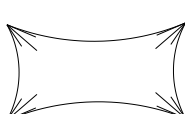

# Parts List

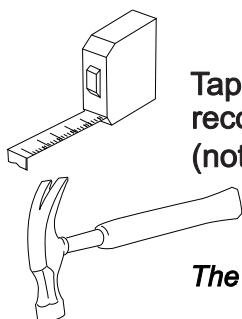


Part#	Description	Qty
1	Top panel	01
2	Right side panel	01
3	Left side panel	01
4	Bottom panel	01
7	Back panel	01
8	Foot	04
9	Drawer runner	04

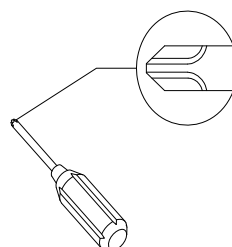
Part#	Description	Qty
10	Upper drawer front	01
11	Left drawer side	02
12	Right drawer side	02
13	Drawer bottom	02
14	Drawer back	02
15	Lower drawer front	01
16	Drawer handle	02

# Hardware List

A		Ø8*30mm	Wood dowel	28 pcs
B		Ø8*20mm	Wood dowel	08 pcs
C		Ø4,0*25mm	Screw	08 pcs
D		Ø3,5*30mm	Screw	22 pcs
E		Ø4,0*40mm	Screw	06 pcs
F		Ø10*10	Nail	16 pcs
G		Ø7*60mm	Screw	04 pcs
H		4mm	Hex Key	01 pcs
I			Glue	01 pcs
J		Ø4,5*30mm	Screw	04 pcs



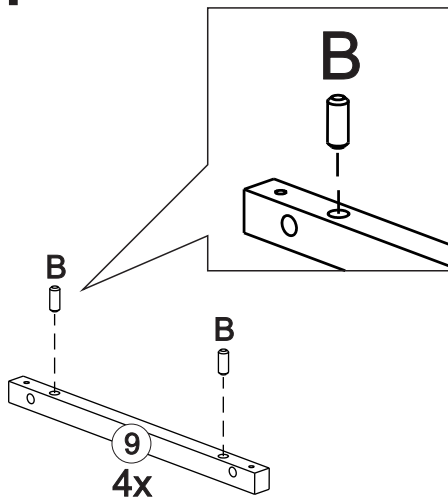
Tape measure and hammer recommended for assembly (not included)



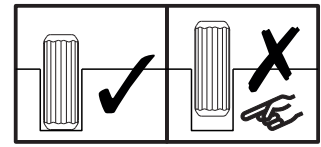
Philips head screwdriver required for assembly (not included)

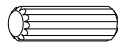
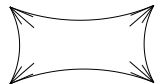
*The hardware quantities listed above are required for proper assembly. Some extra hardware may also have been included.*

# Step 1



Attention to the  
dowel size:  
Ø8\*20mm



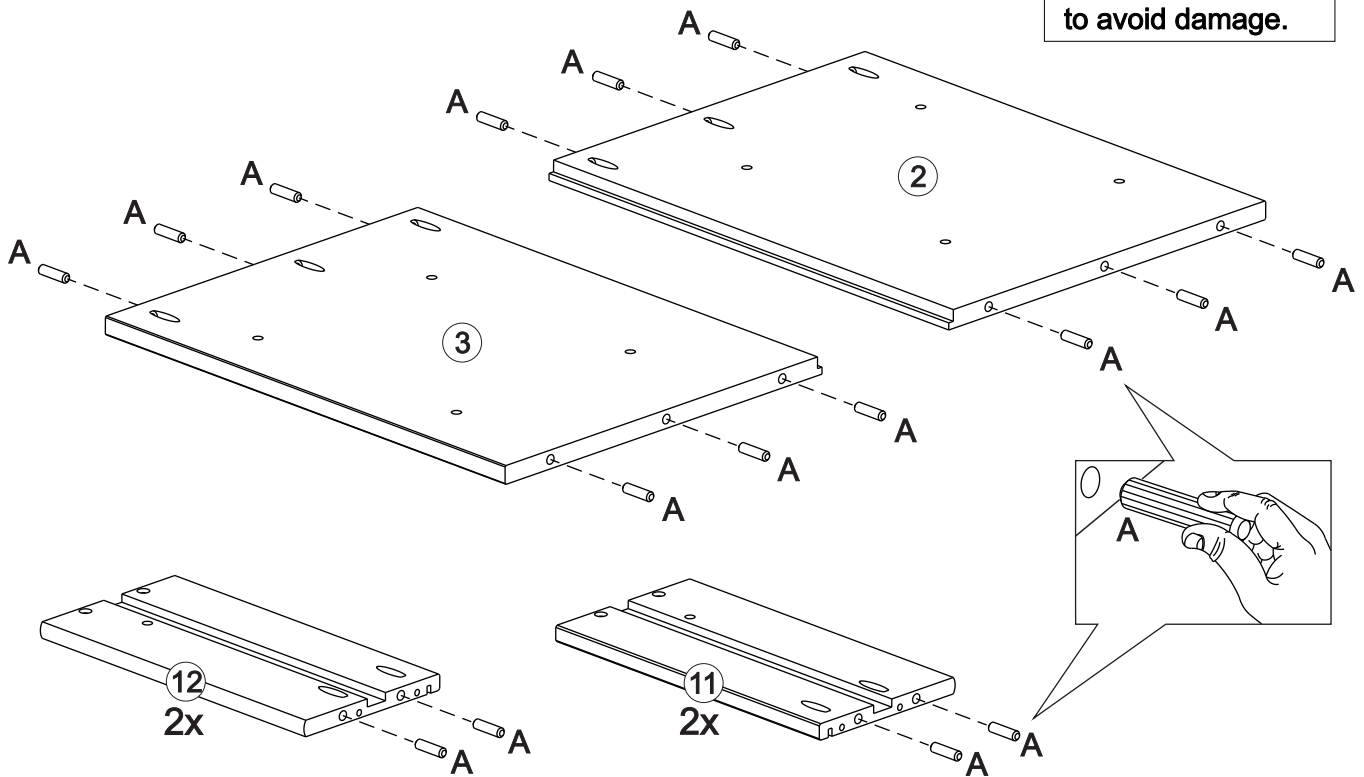
B	 Ø8*20mm	08
I		01


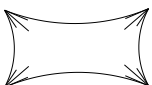
Insert wood dowel (B) and glue (I) into part (9).

# Step 2



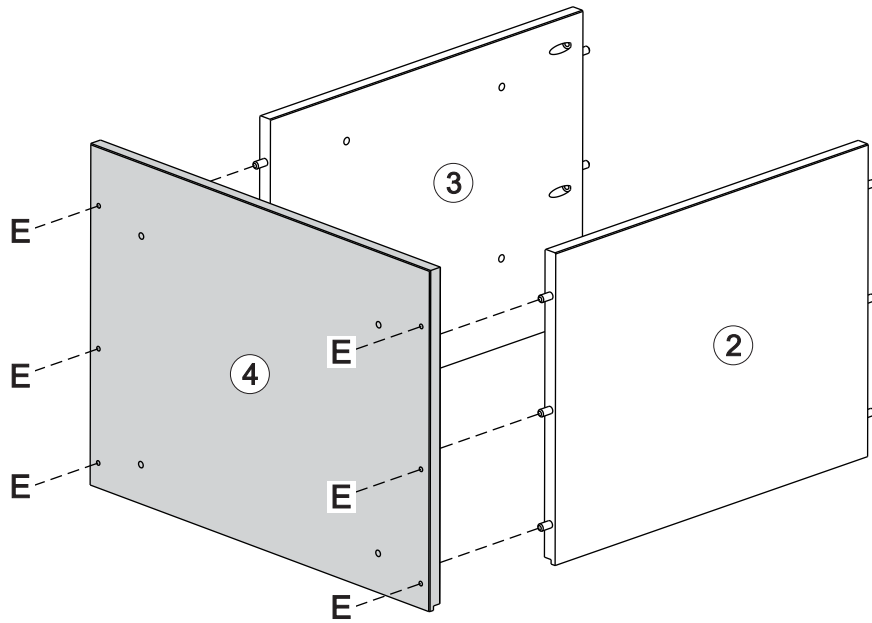
Please assemble on  
a clean soft surface  
to avoid damage.




A	 Ø8*30mm	20
I		01

Insert wood dowel (A) and glue (I)  
into parts (2, 3, 11, 12).

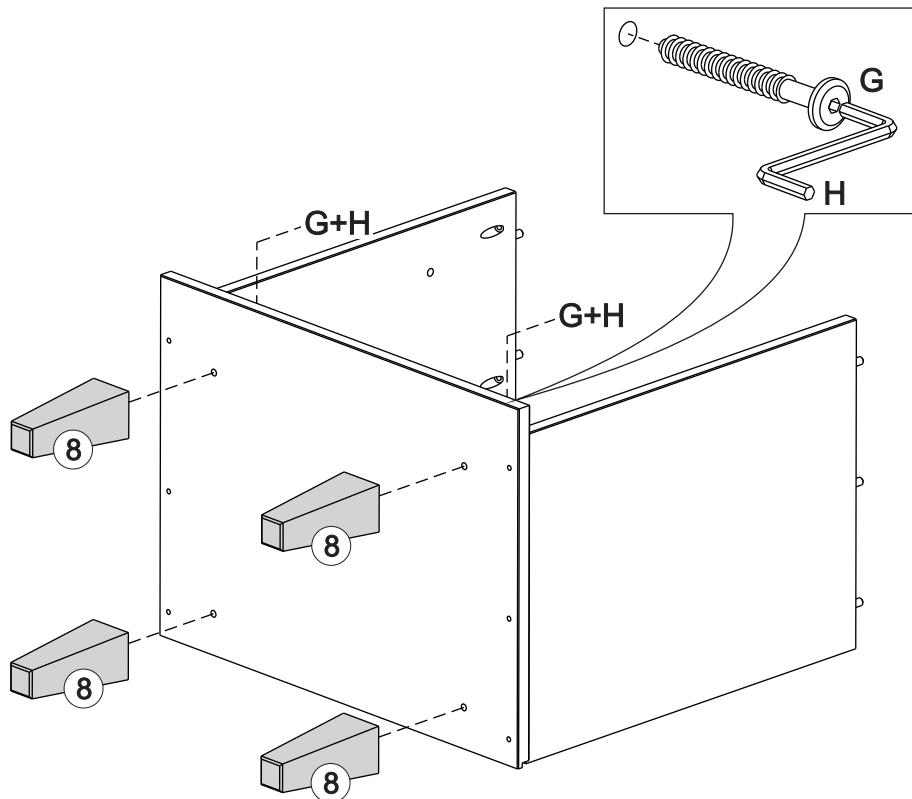
# Step 3

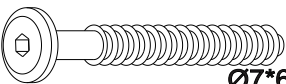



E		06
Ø4,0*40mm		

Fix the part (4) to the parts (2, 3) with screws (E)

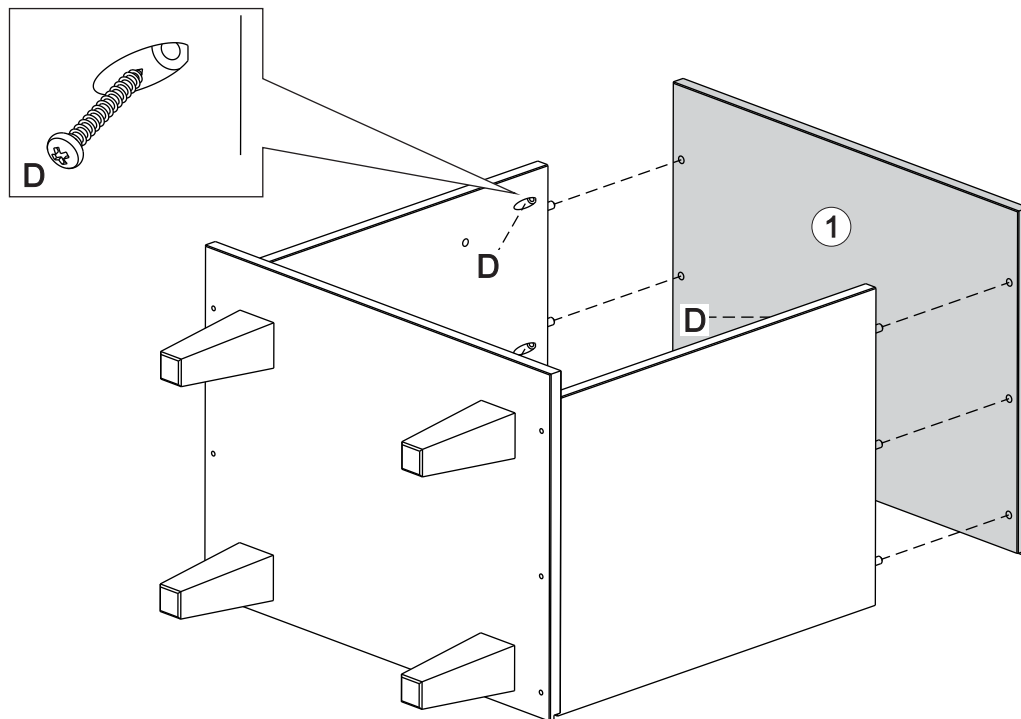
# Step 4



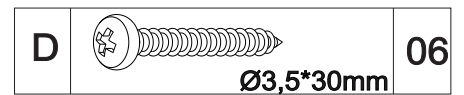
G		04
Ø7*60mm		
H		01
4mm		

Use screw (G) and hex key (H) to attach the feet to the body.

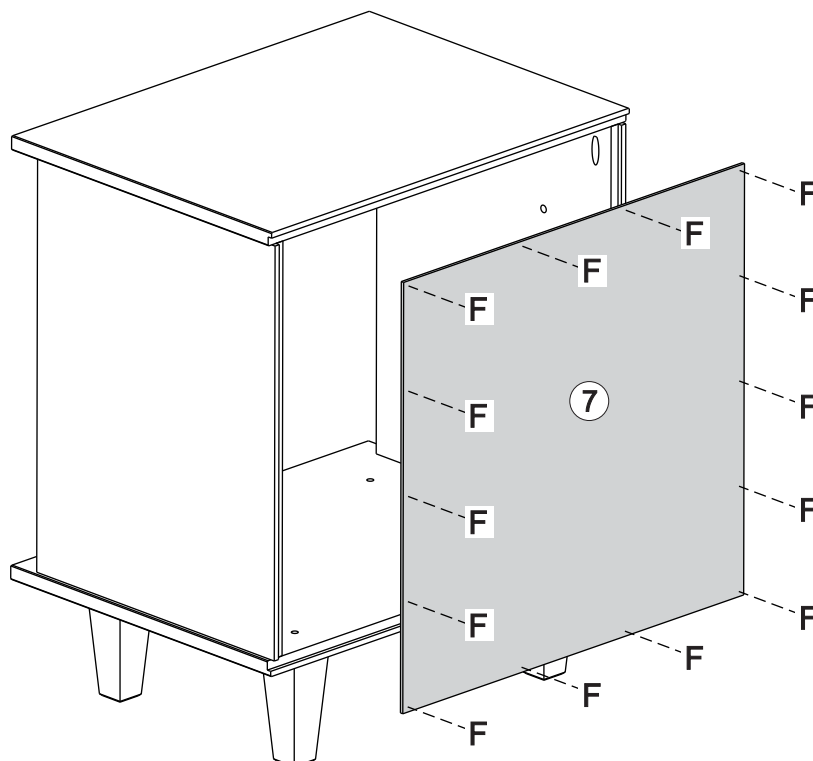
## Step 5



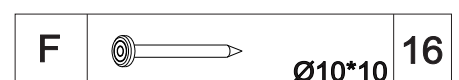
Use screw (D) to attach  
part (1) to body



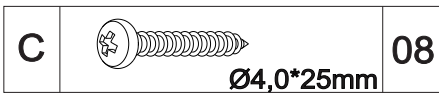
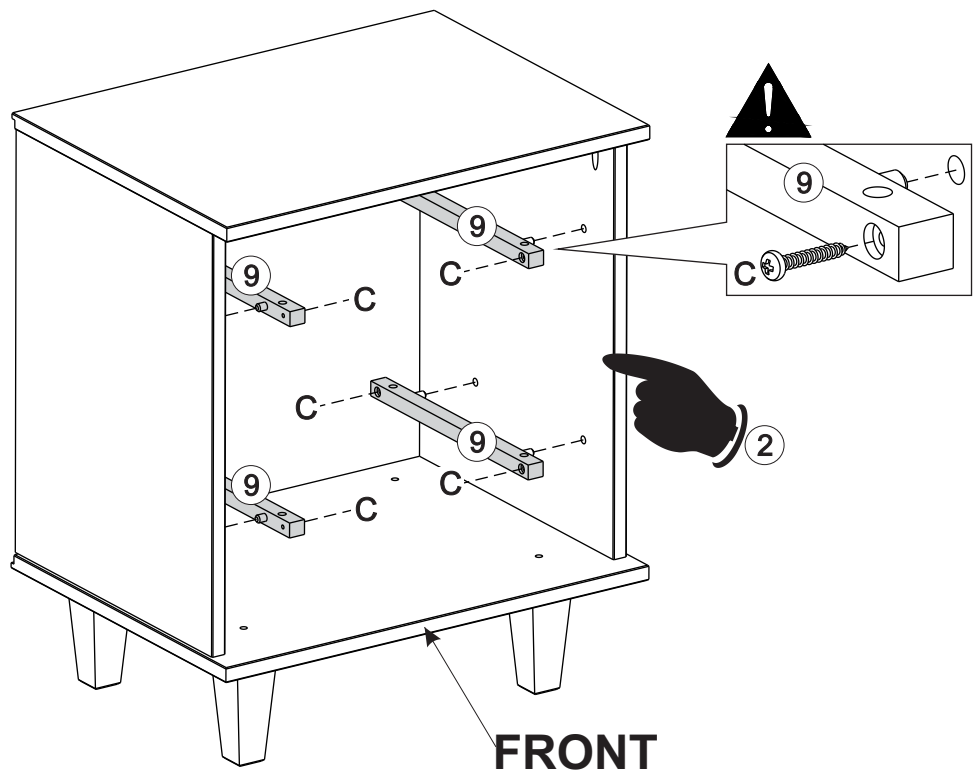
## Step 6



Secure back panel (7) to body with nails (F)

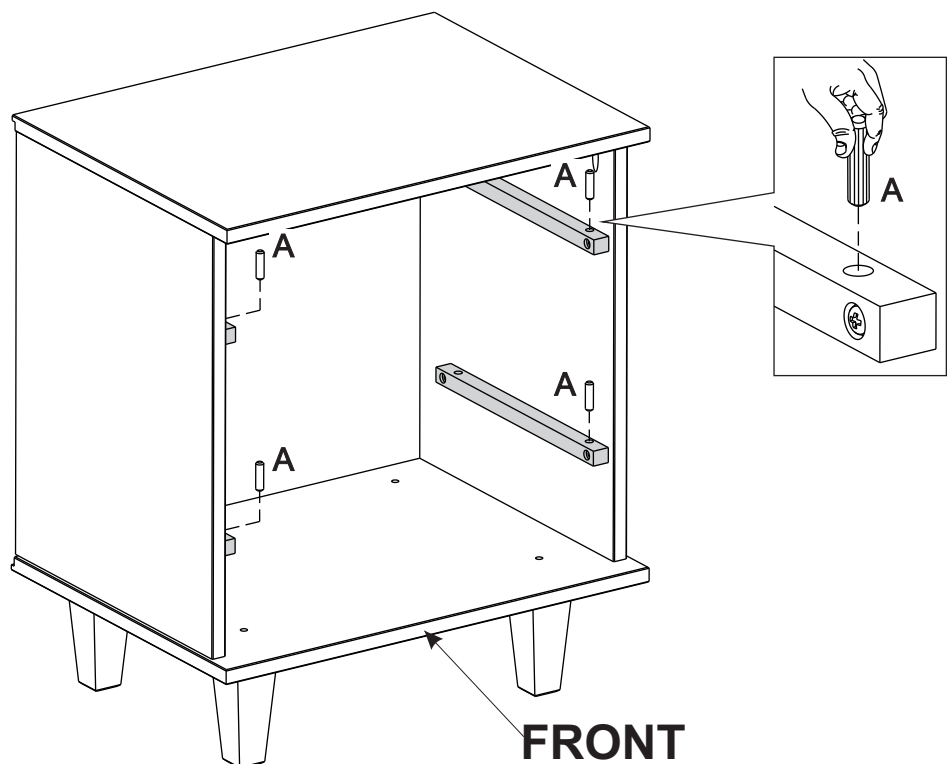


# Step 7

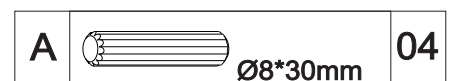


Use the screw (C) to attach the parts (9) to the parts (2,3)  
NOTE: The extra holes in the part (9) must be top

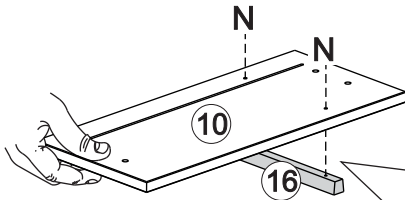
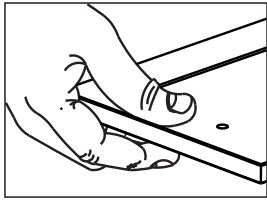
# Step 8



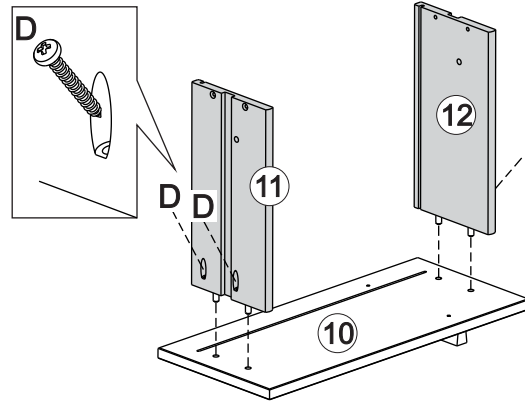
Insert wood dowel (A) into the front hole  
in the drawer rails (9)



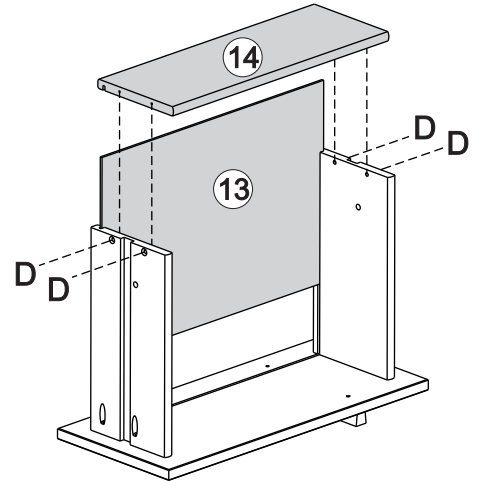
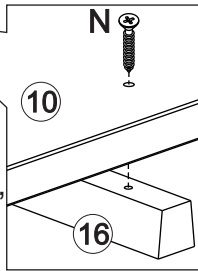
# Step 9



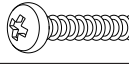

1st - Hold the front of the drawer so it doesn't become unsettled, while attach parts (16) to part (10), with screws(N), using the predrilled holes.



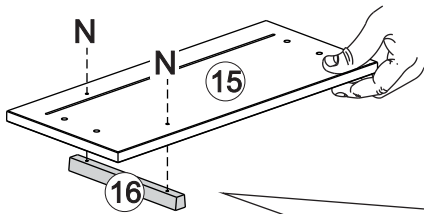
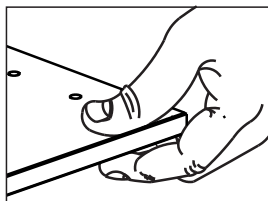
2nd - Attach parts (11,12) to part (10), with screw (D) and philips screwdriver



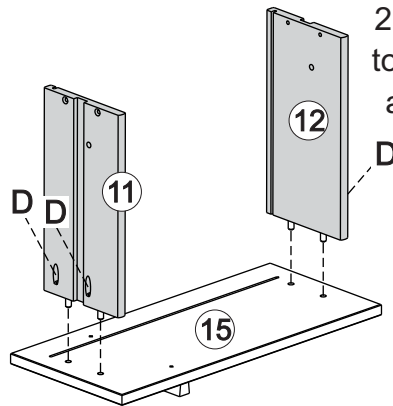
3th - Insert panel (13) into grooves. and secure part (14) with screws (D) and philips screwdriver

D		Ø3,5*30mm	08
N		Ø4,5*30mm	02

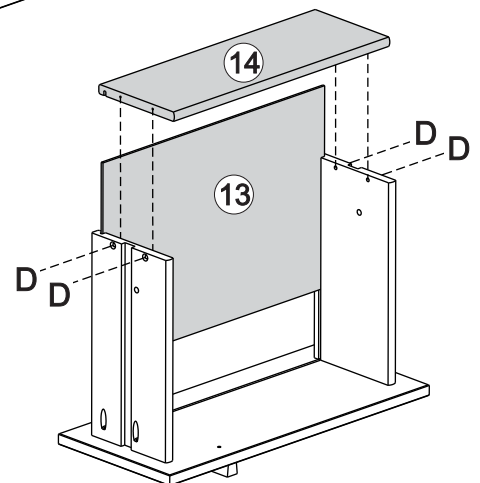
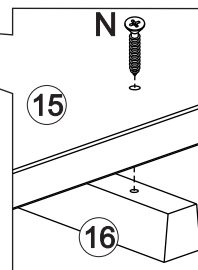
# Step 10



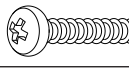

1st - Hold the front of the drawer so it doesn't become unsettled, while attach parts (16) to part (15), with screws(N), using the predrilled holes.



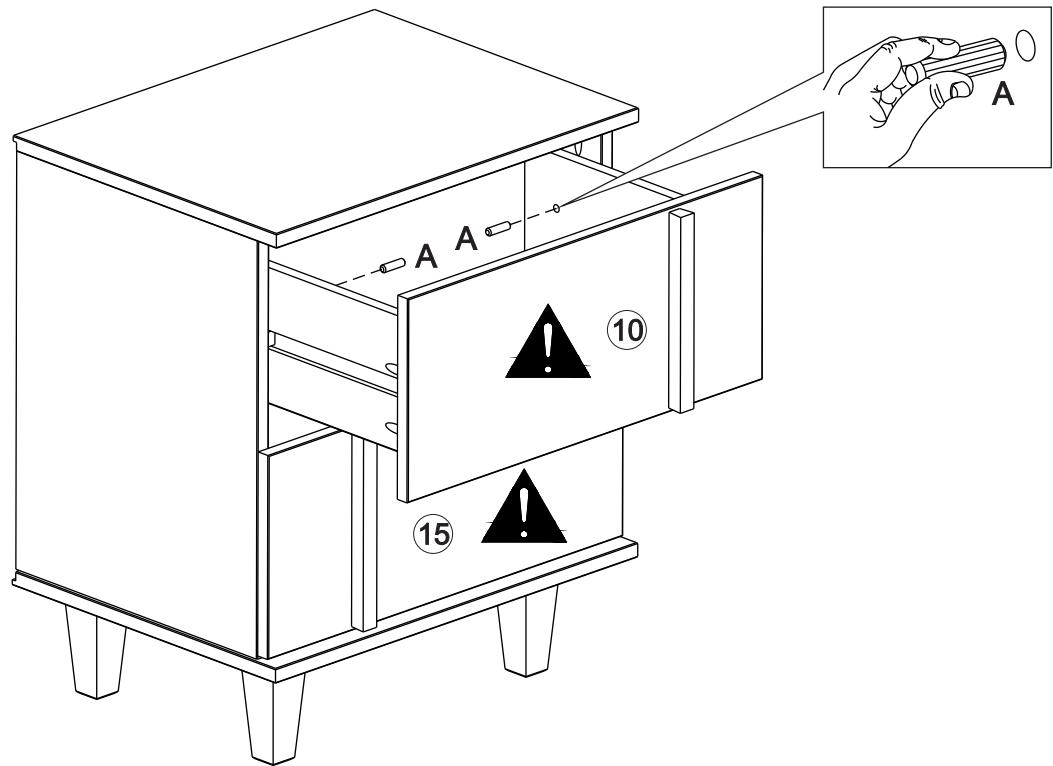
2nd - Attach parts (11,12) to part (15), with screw (D) and philips screwdriver



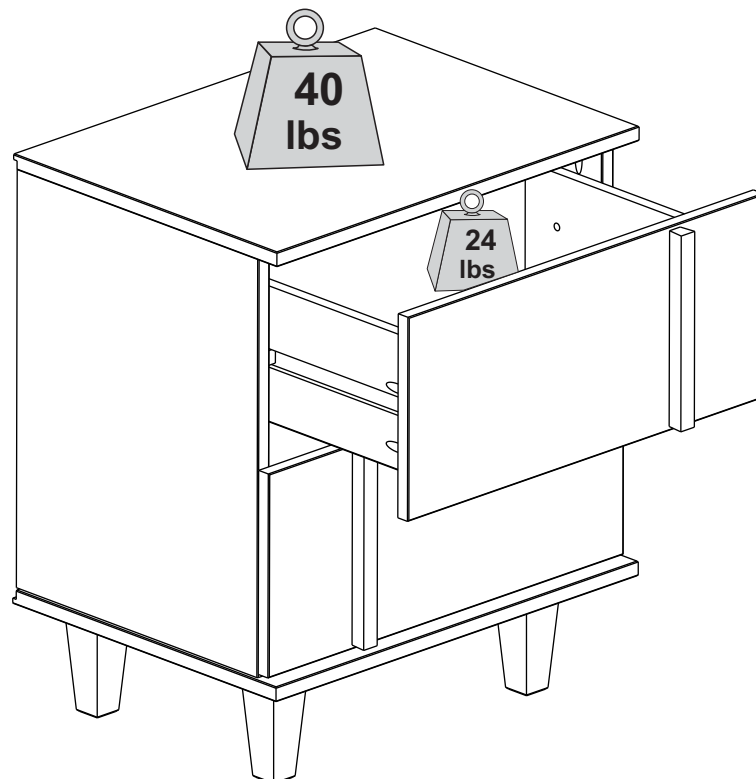
3th - Insert panel (13) into grooves. and secure part (14) with screws (D) and philips screwdriver

D		Ø3,5*30mm	08
N		Ø4,5*30mm	02

# Step 11



Insert wood dowel (A) on the inside of the drawers, with the drawer inside the unit, after having passed the wood dowel that is in the drawer runner. Make sure the wood dowel is flush with the panel.



**Assembly Complete!**