



TV Stand

Assembly Instructions

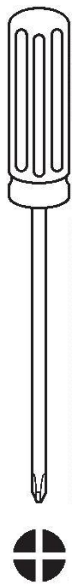
NOTE: This instruction manual contains **IMPORTANT** safety information. Please read carefully before assembling the product



Estimated Time for Assembly

120 mins

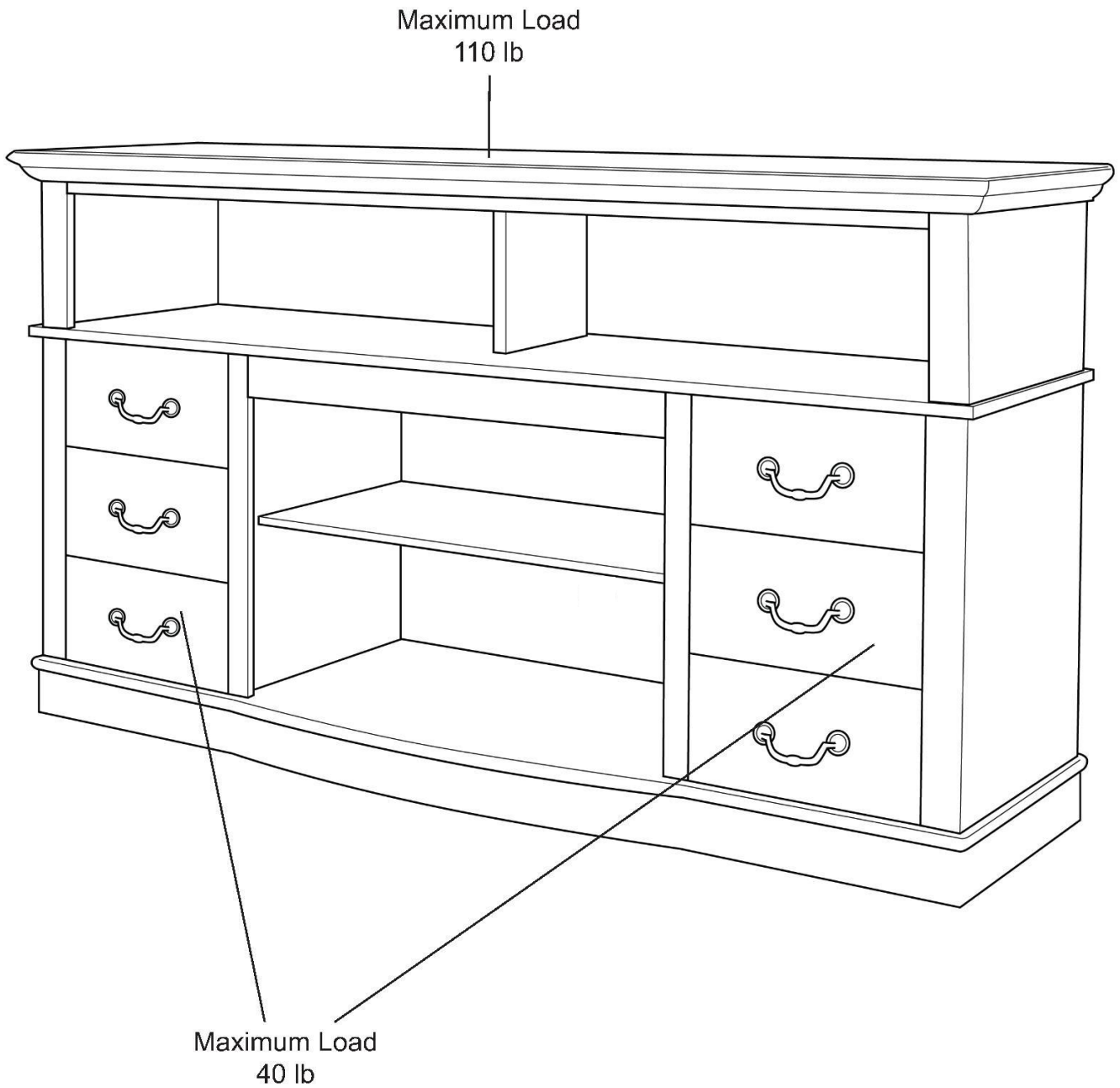
Tools Needed (Not included)

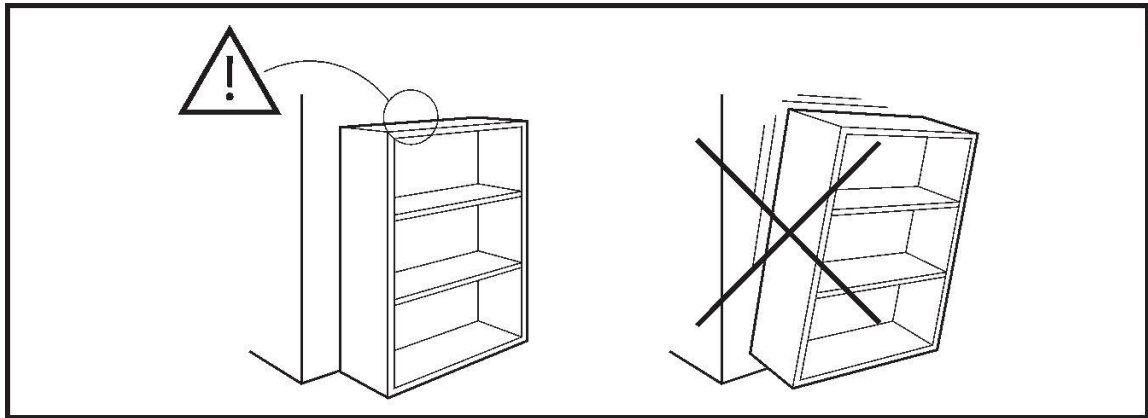




Weight Limitation

20 lb Shelf **70 lb** Top

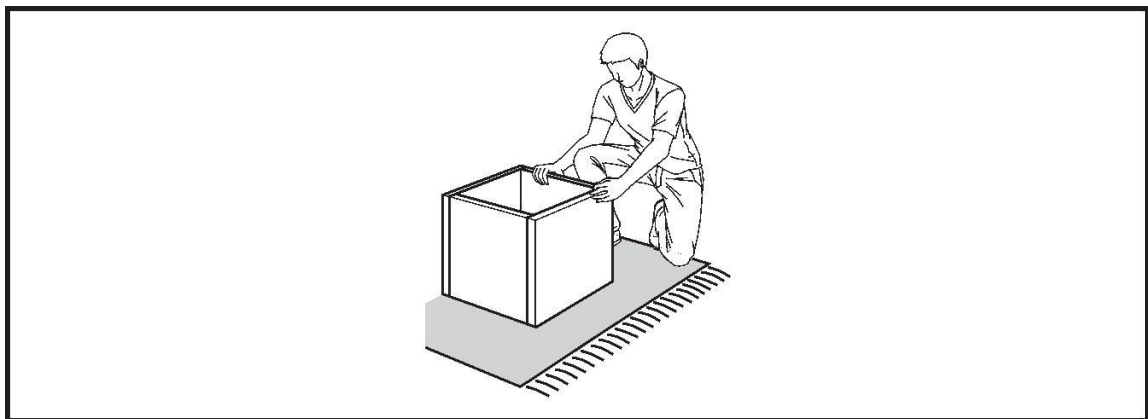




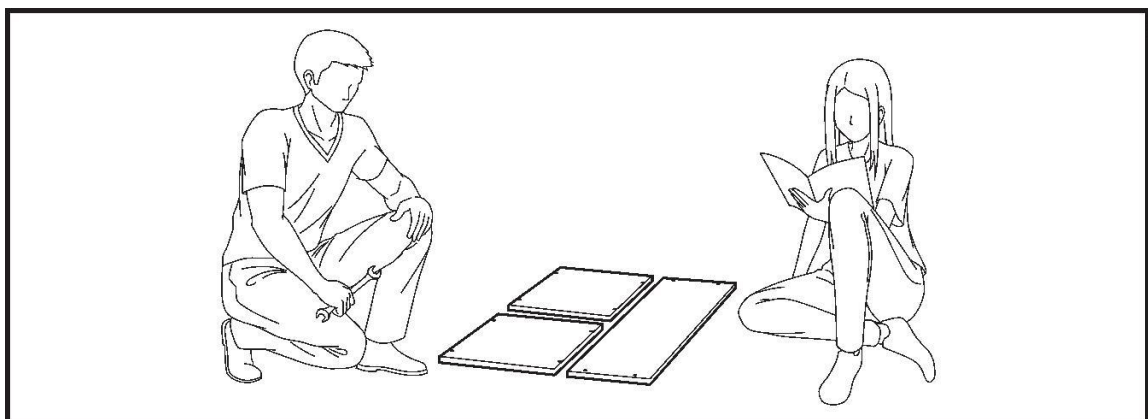
Warning

Serious or fatal crushing injuries may occur if the furniture tip-over. Furniture must permanently fixed to the wall with included anti-tipping device to prevent the furniture from tipping over.

Different wall materials requires different types of fixing device, Use suitable fixing device to secure the stability and load bearing capacity of the furniture. If you are uncertain about which type of fixing device to use, please contact your local hardware store.



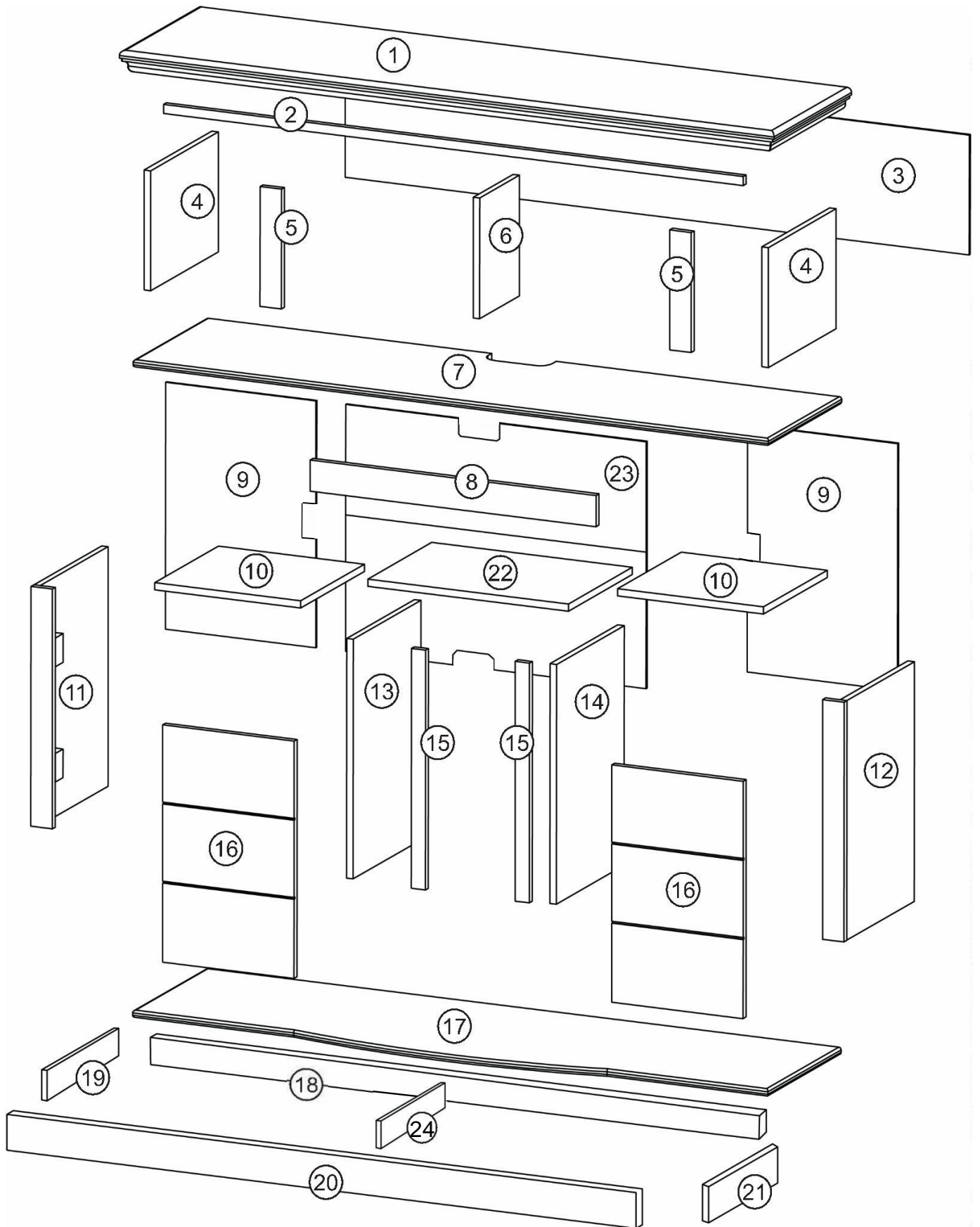
Assembly the furniture on empty carton, carpet, or rug to prevent scratches or damage.



This furniture requires 2 people to assembly.

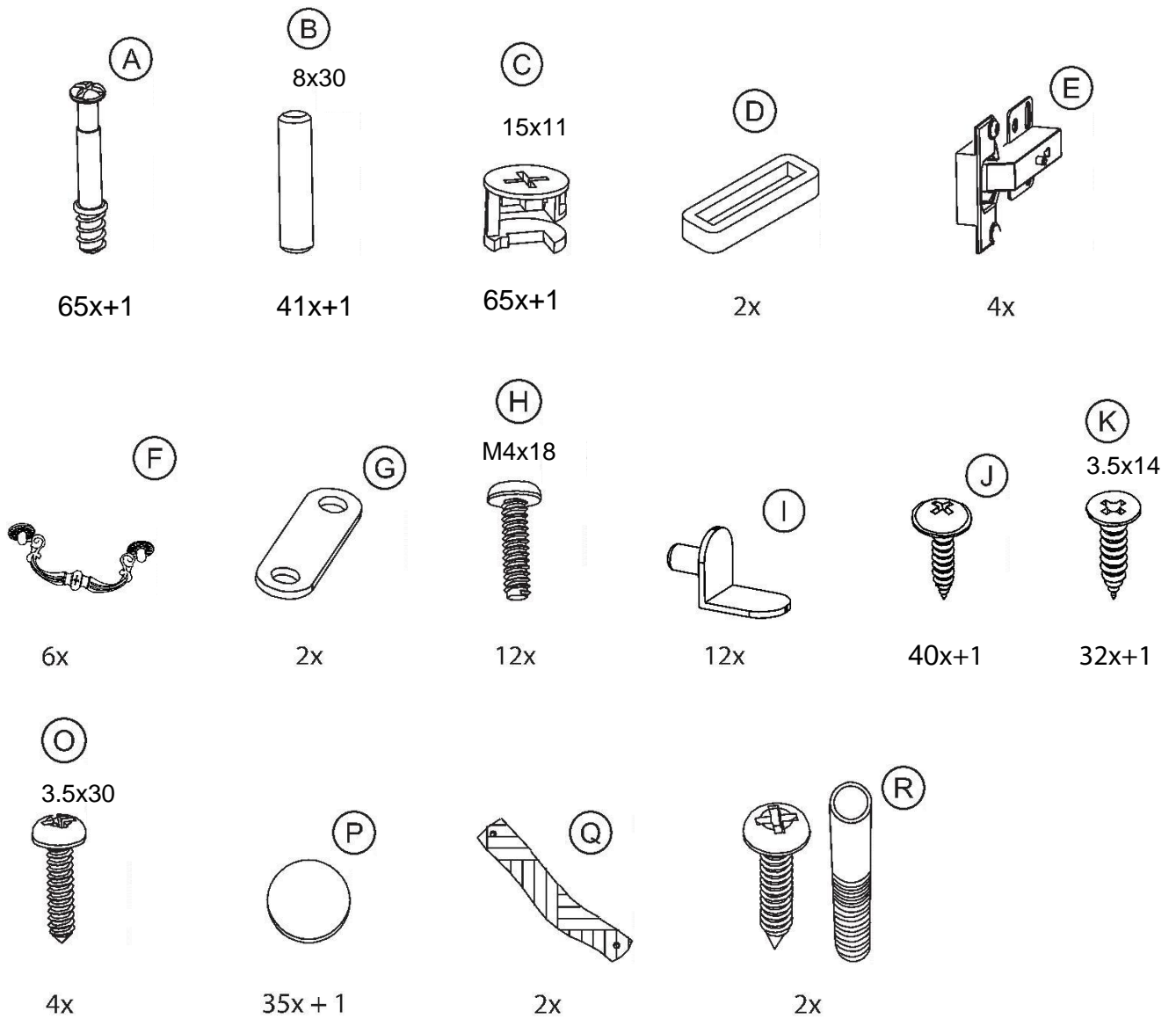
Make sure no parts are missing or damaged before assembly.

PACKAGE CONTENT



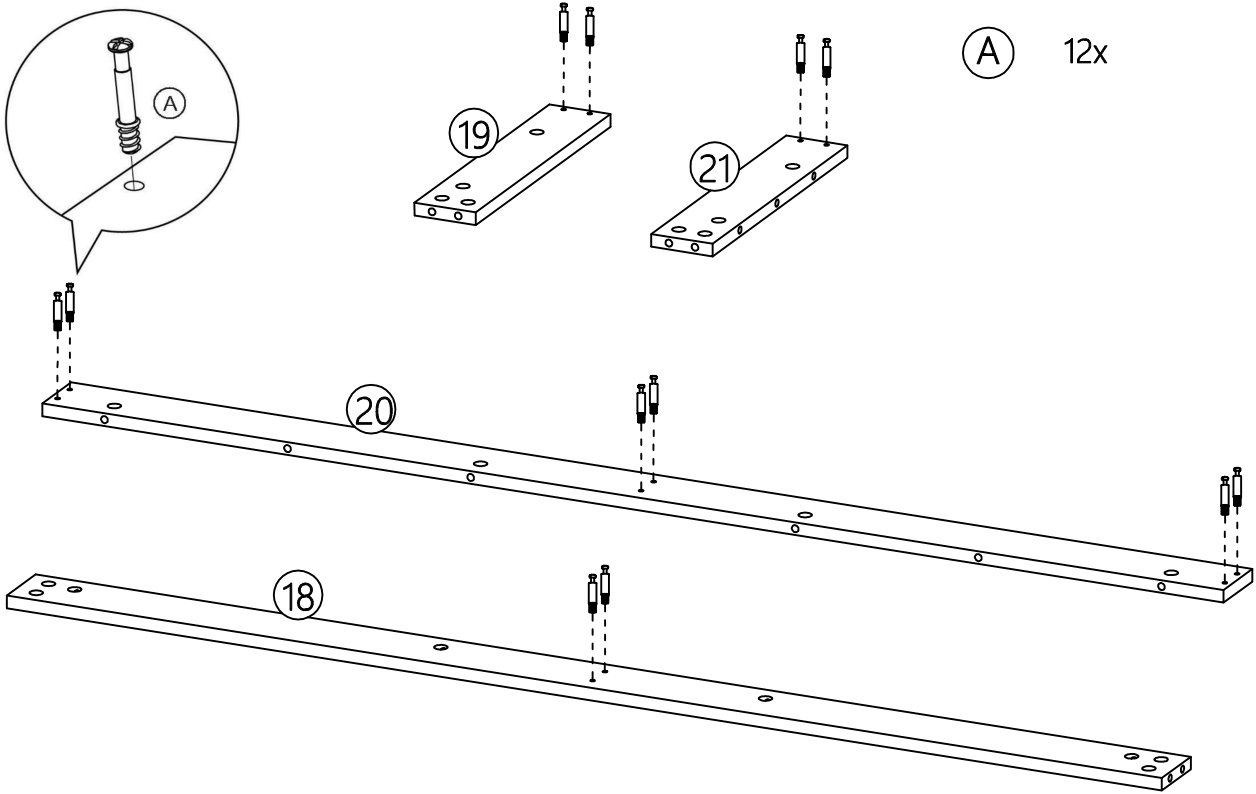
CODE	DESCRIPTION	QTY
1	Countertop Board	1
2	Cross Bar	1
3	Upper Back	1
4	Upper Lateral Plate	2
5	Upper erector	2
6	Middle Partition	1
7	Laminates	1
8	Middle Cross	1
9	Lower Back	2
10	Side Storage Board	2
11	Lower Lateral Plate	1
12	Lower Vertical Plate	1
13	Dowel	1
14	Medial Side Plate	1
15	Lower Middle Vertical Plate	2
16	Cabinet Door	2
17	Bottom Plate	1
18	Back Leg	1
19	Left Side Leg	1
20	Forefoot Strip	1
21	Right Side Leg	1
22	Middle Storage Board	1
23	Middle Back Panel	1
24	Middle Leg	1

PACKAGE CONTENT



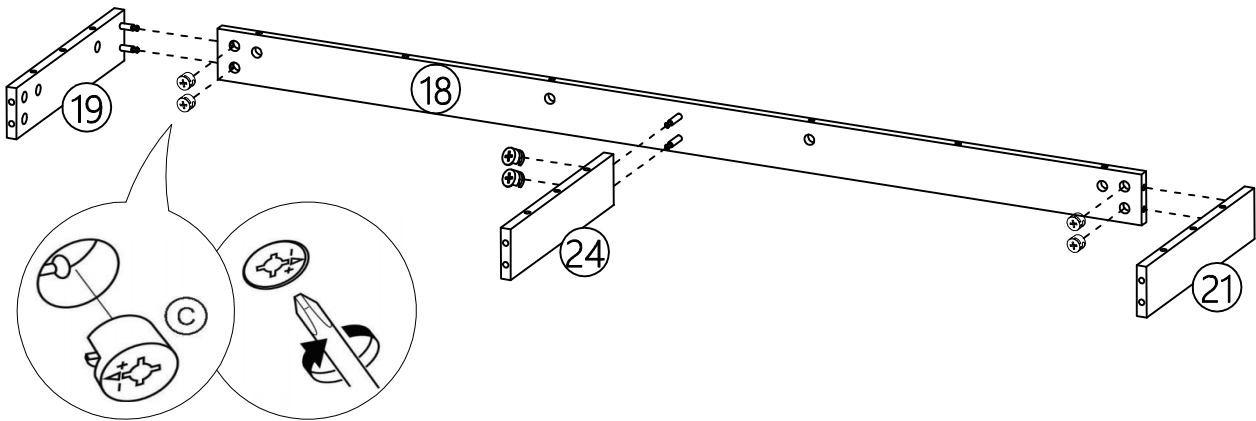
Install all hardware perpendicular to the opening.

1



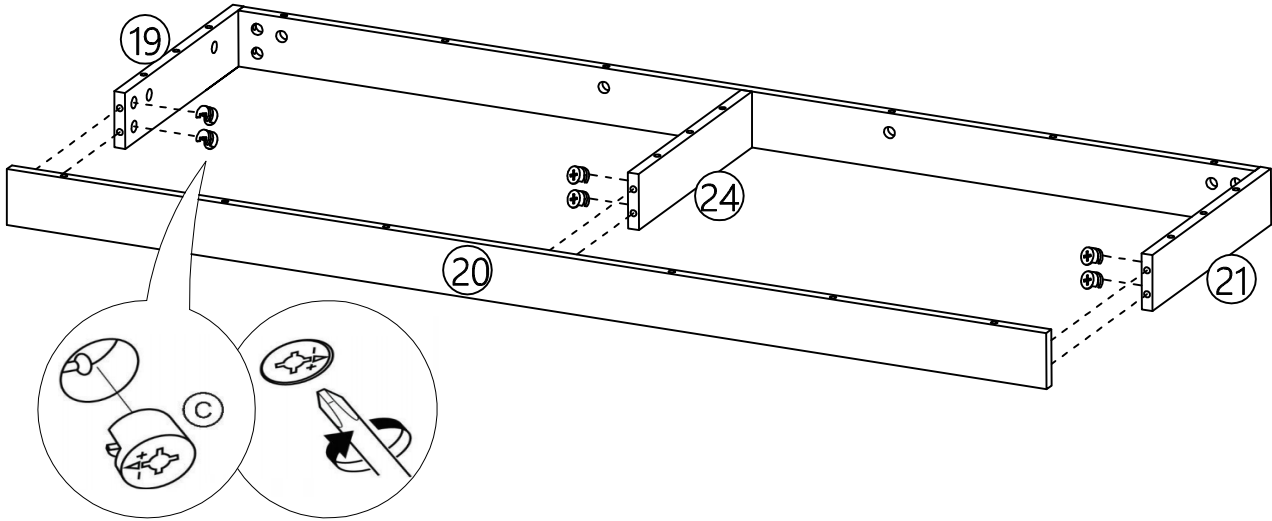
2

(C) 6x



3

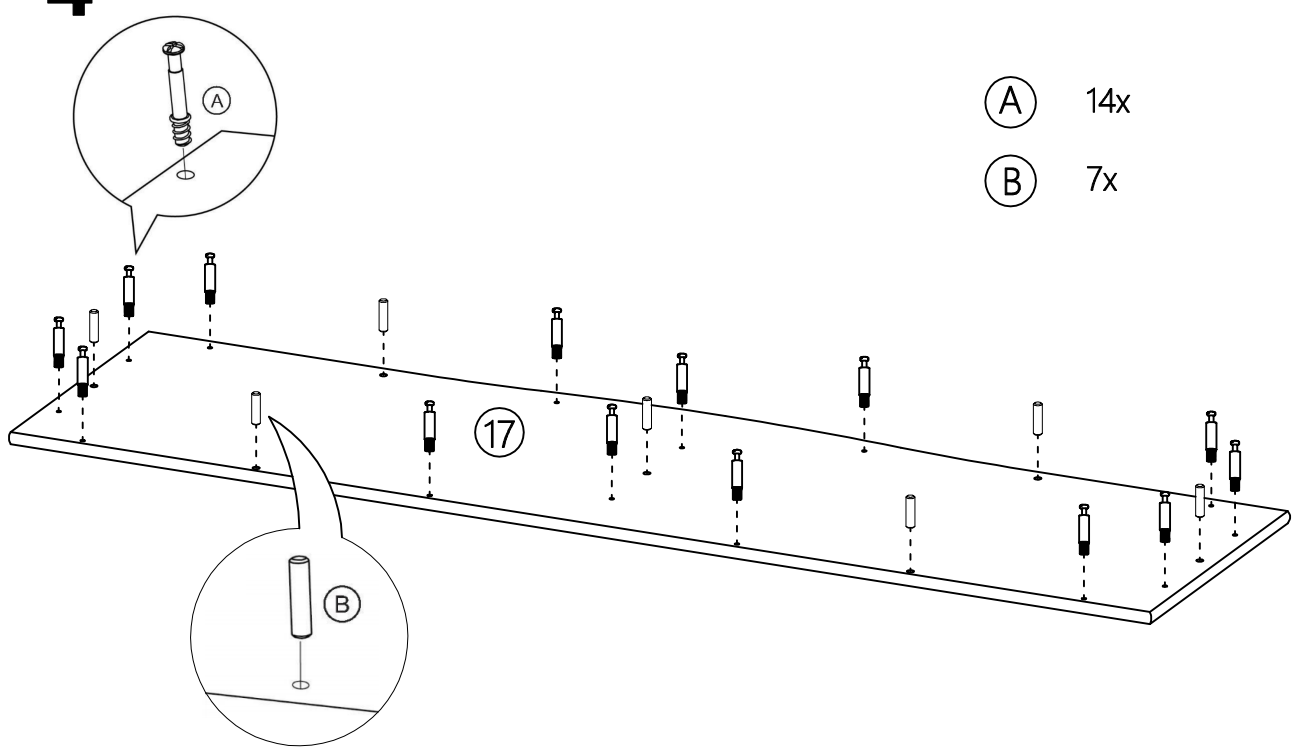
Ⓒ 6x



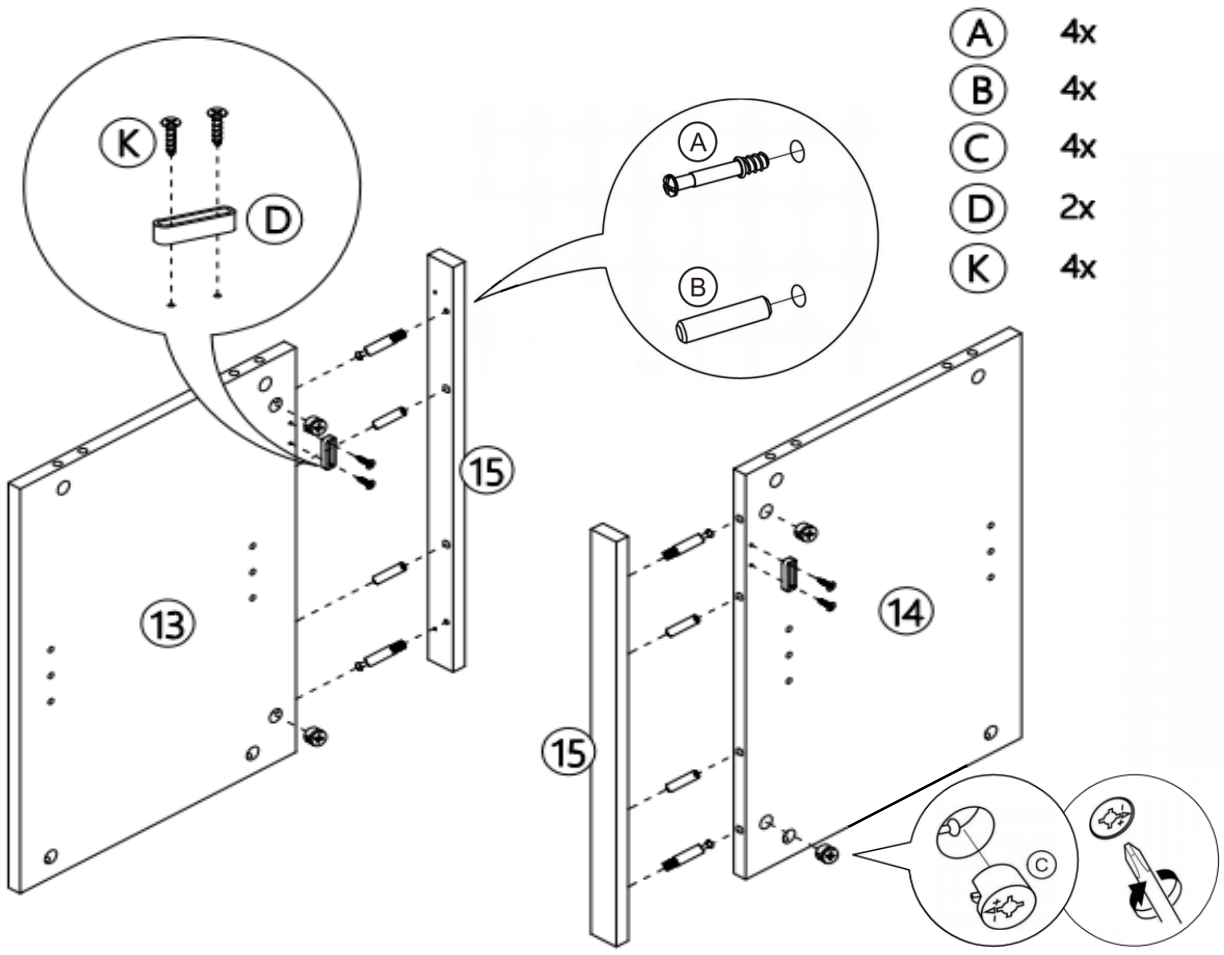
4

Ⓐ 14x

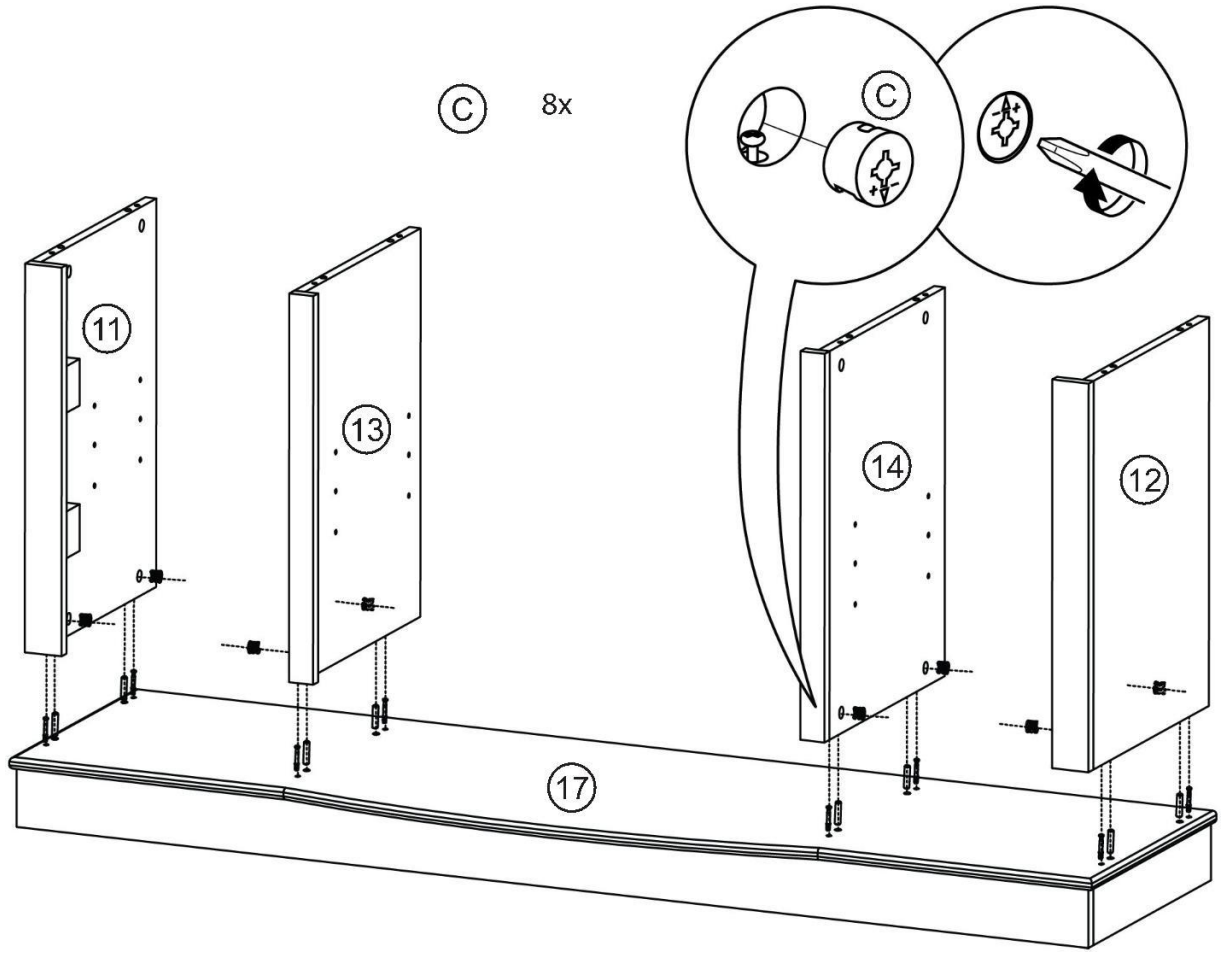
Ⓑ 7x



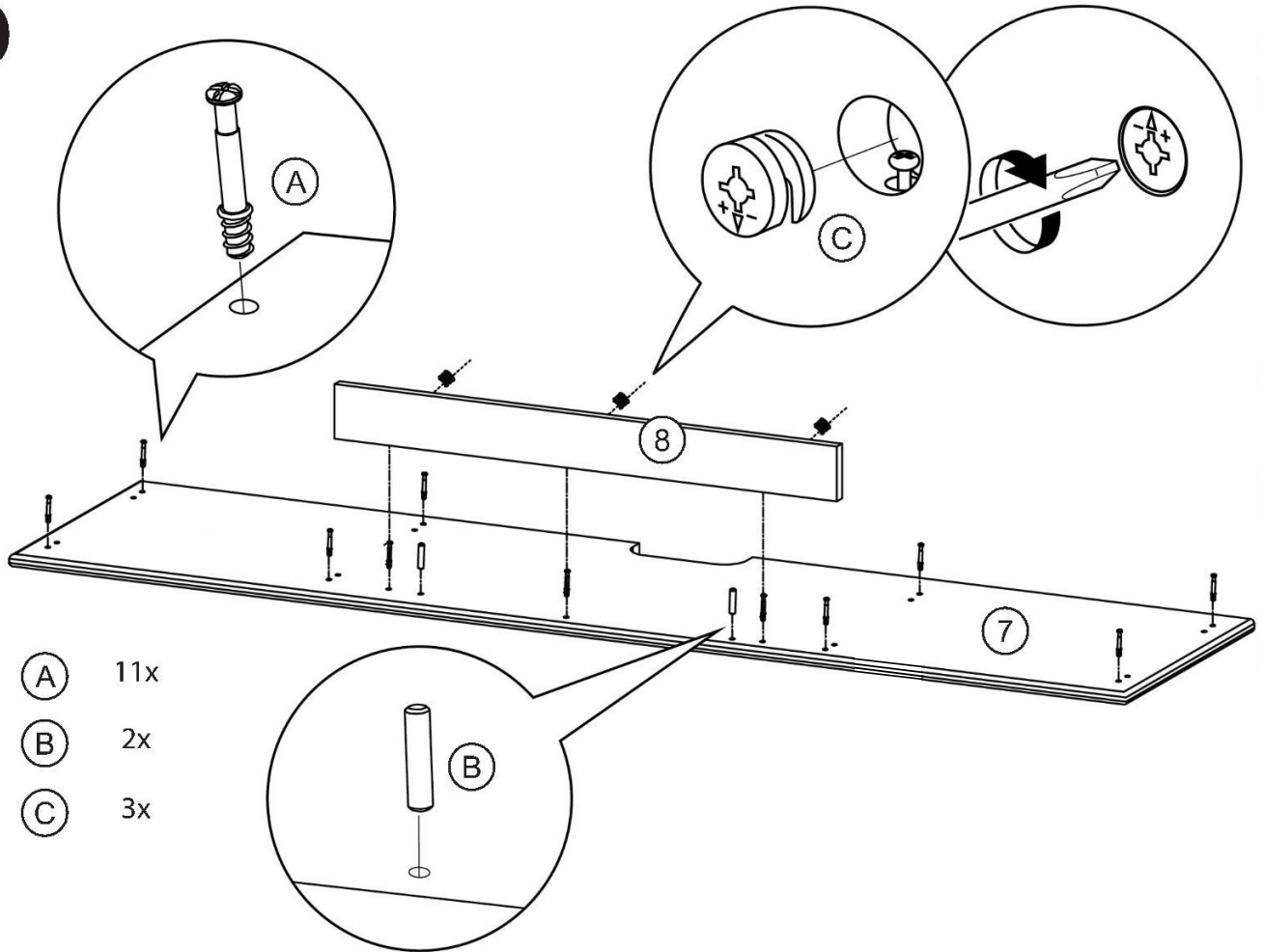
7



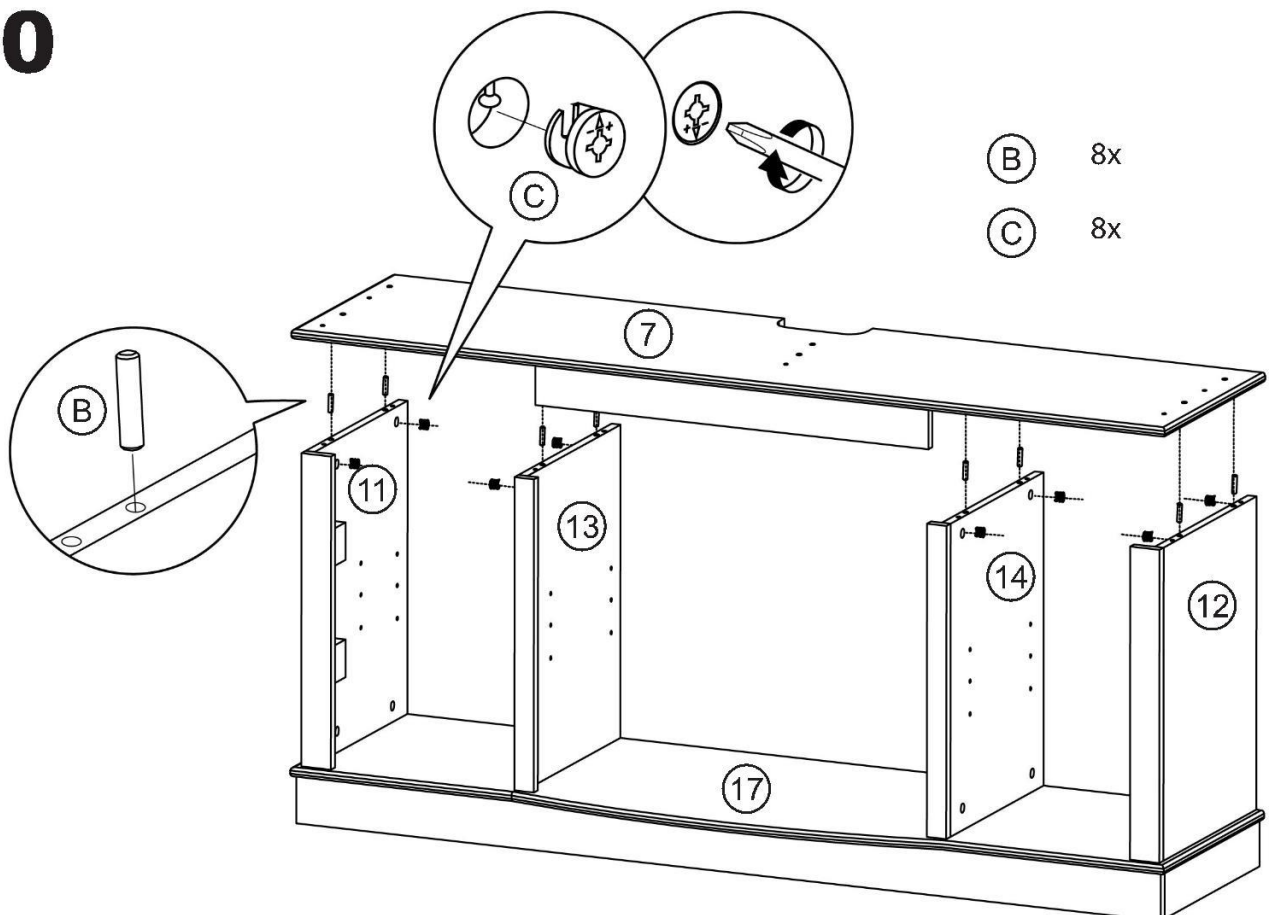
8



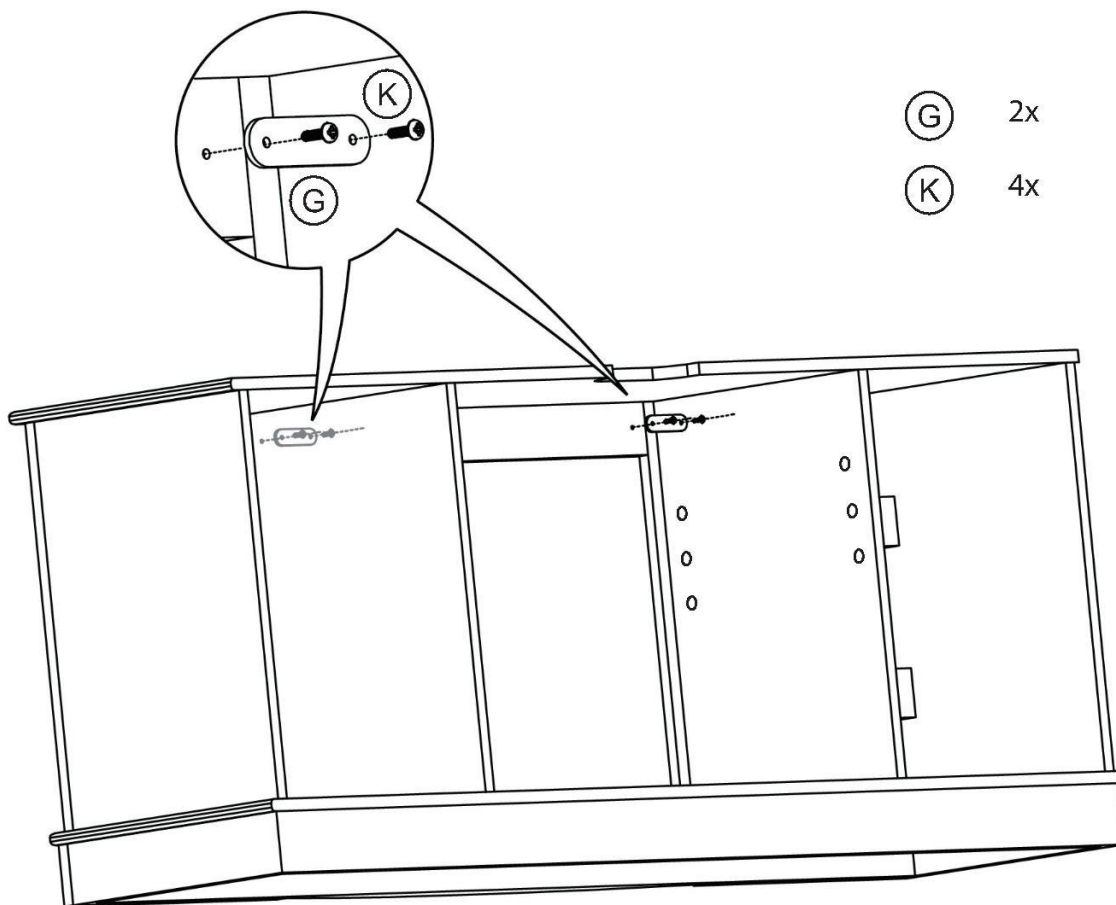
9



10



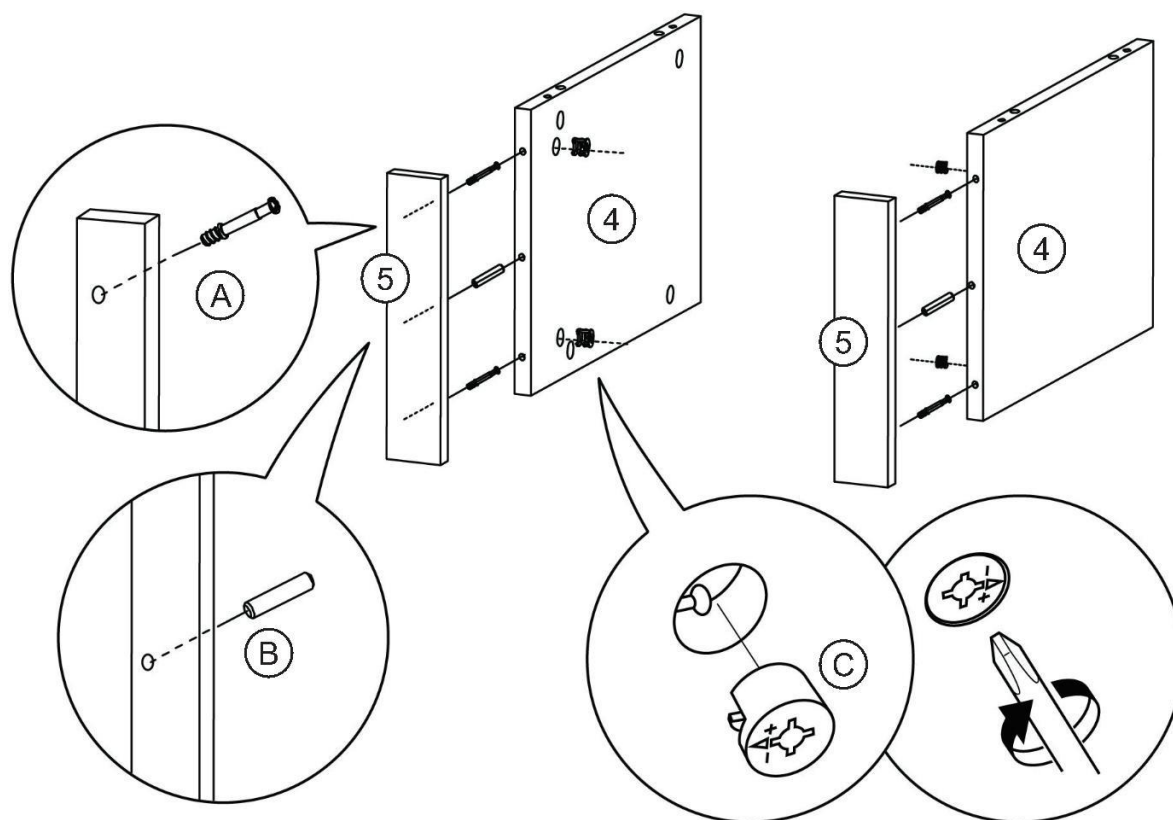
11



⊙ G 2x

⊙ K 4x

12

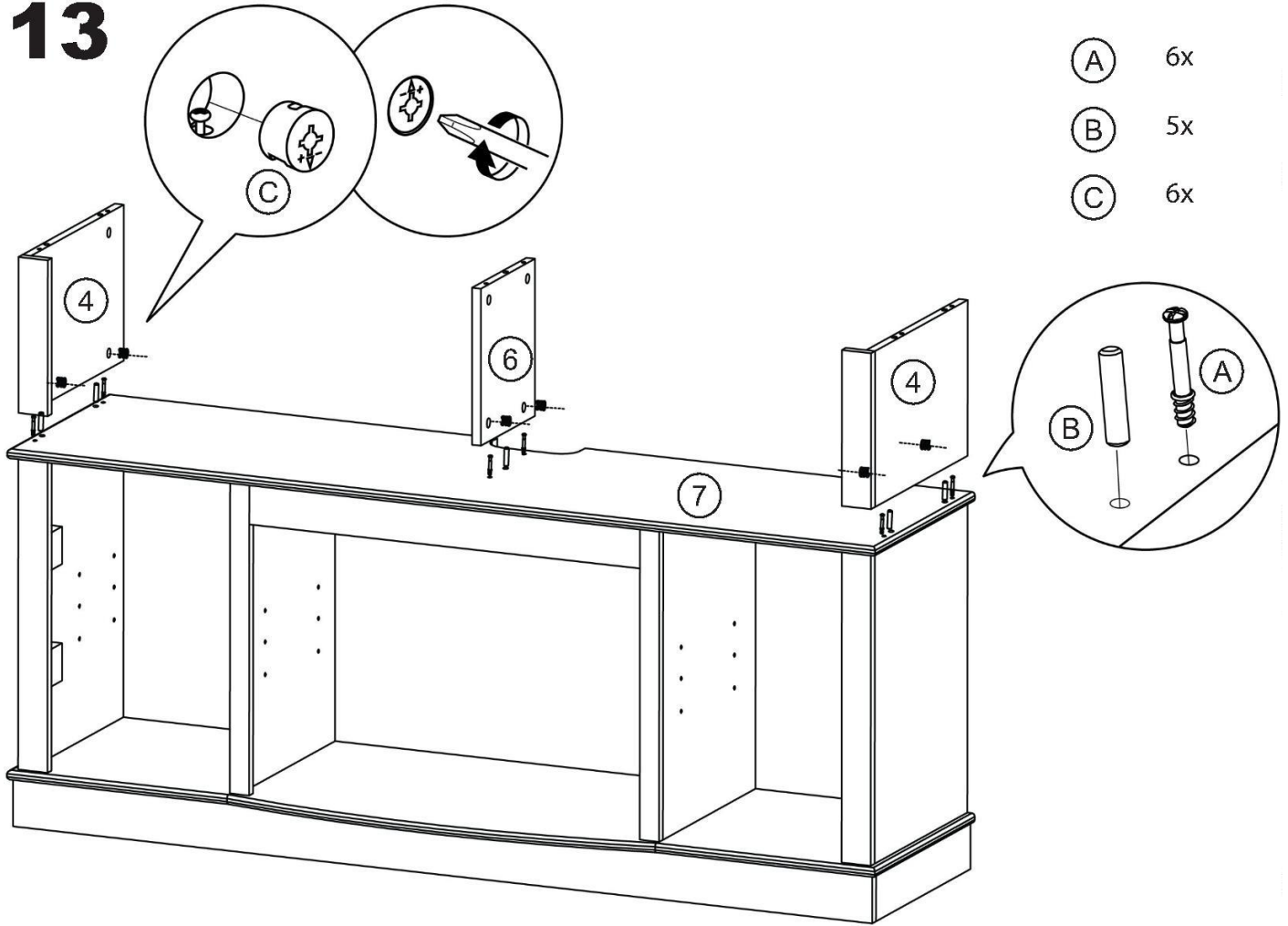


⊙ A 4x

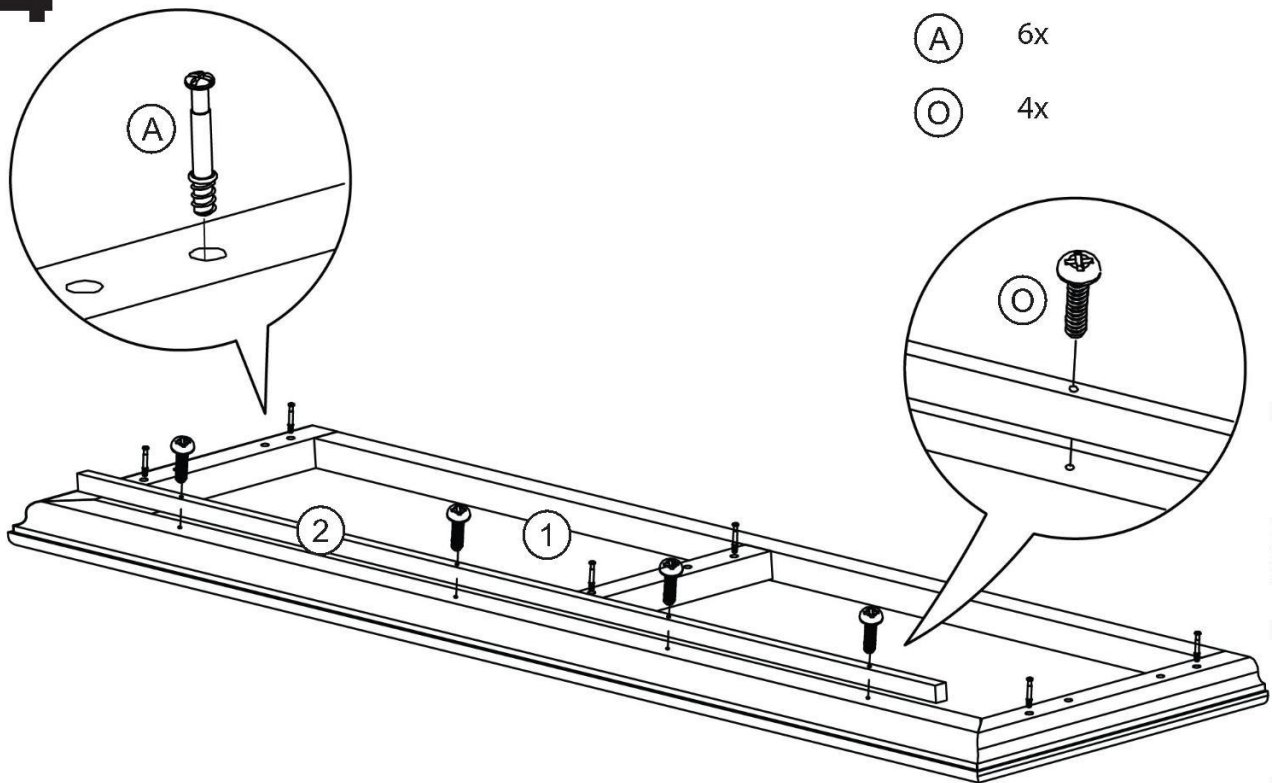
⊙ B 2x

⊙ C 4x

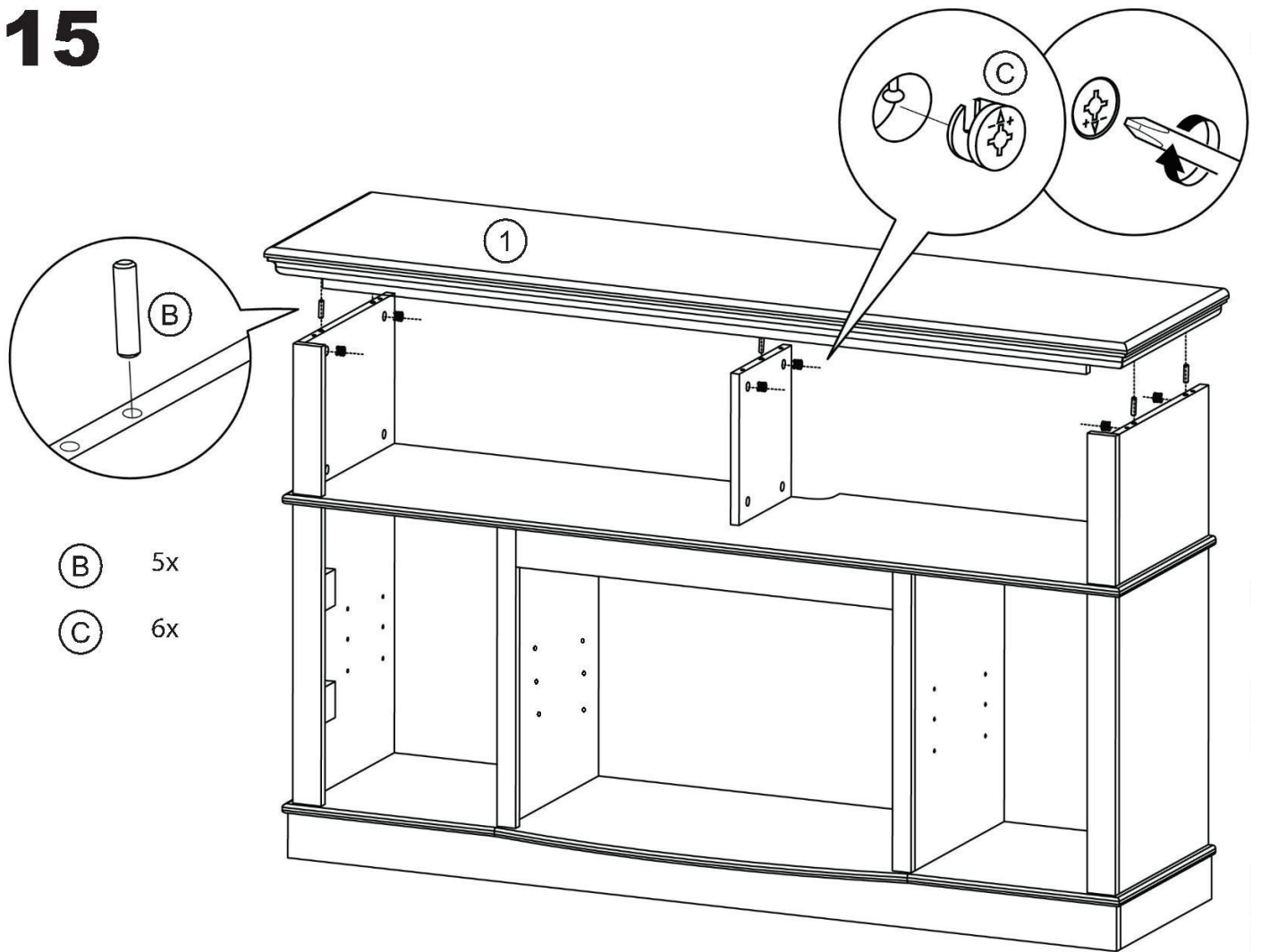
13



14



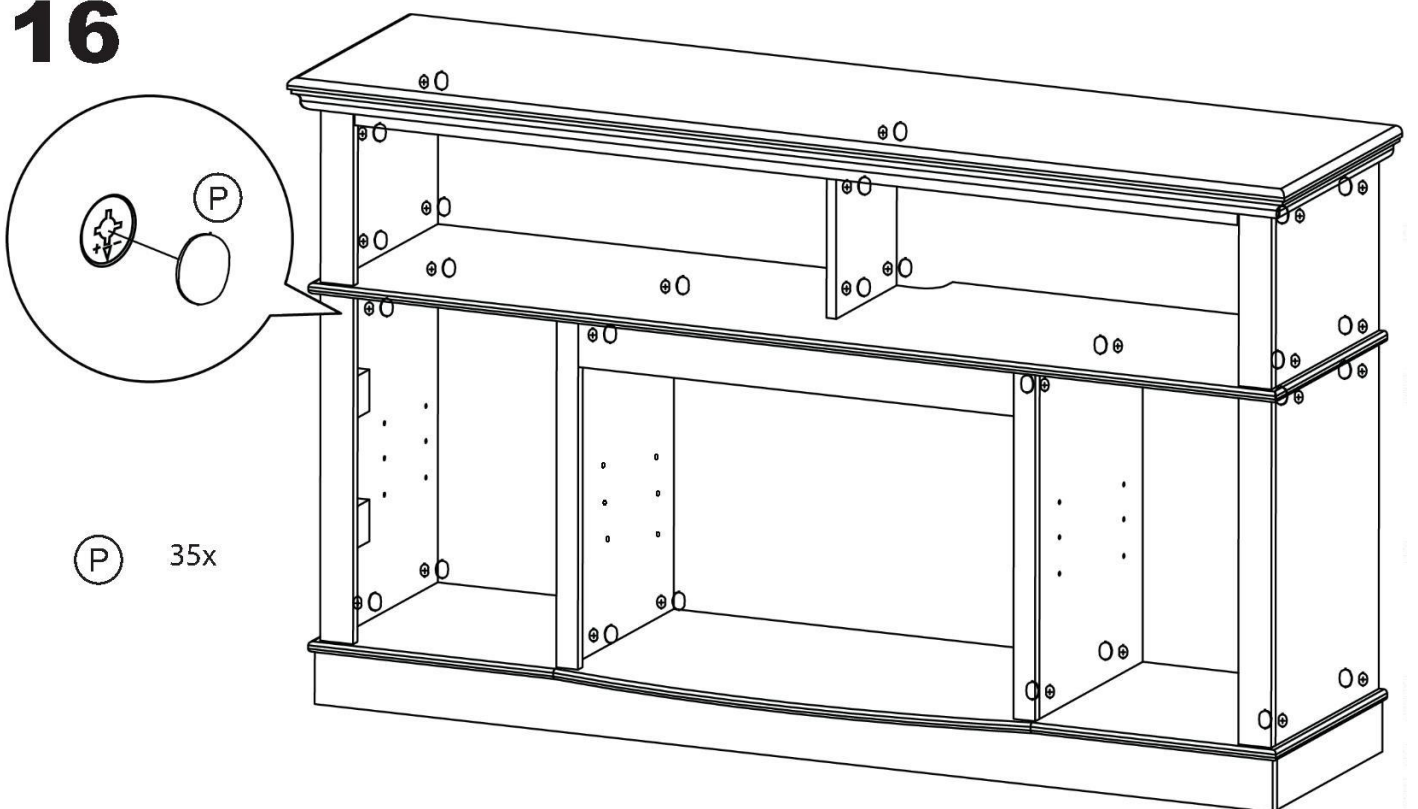
15



(B) 5x

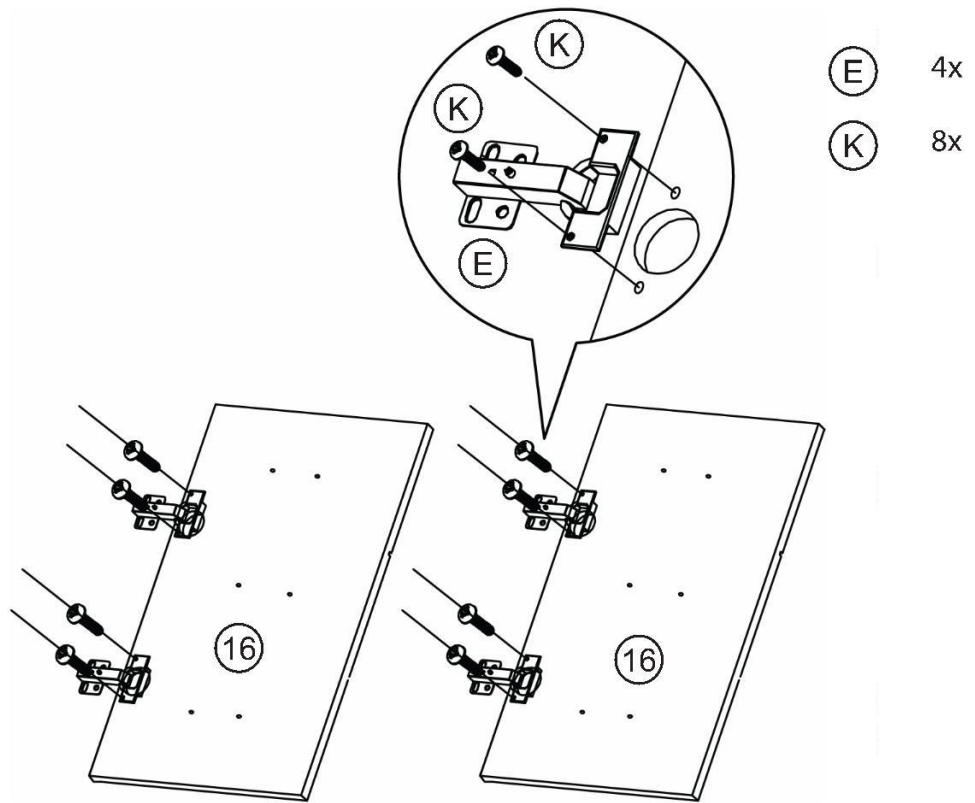
(C) 6x

16

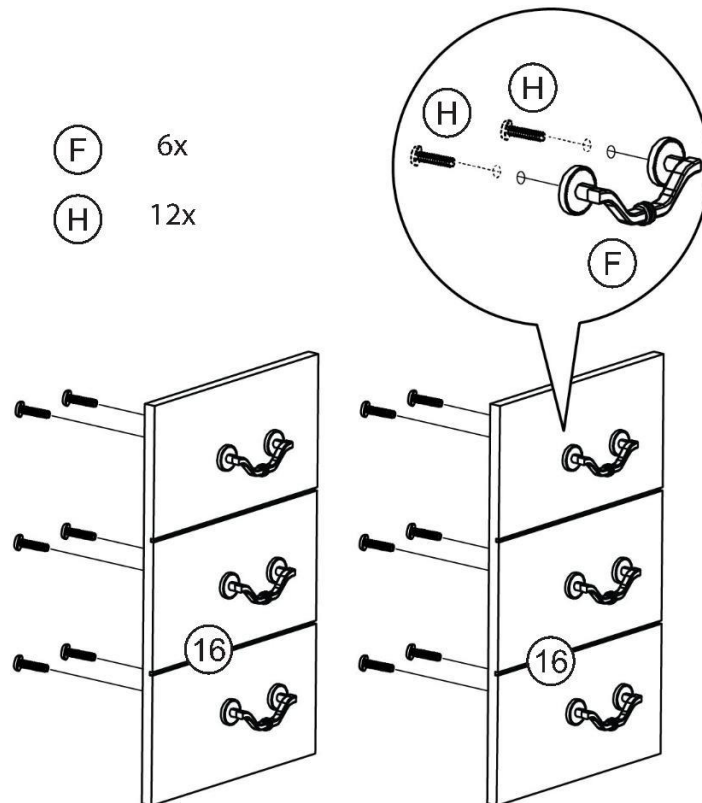


(P) 35x

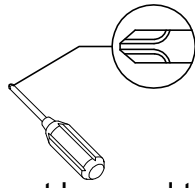
17



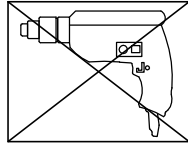
18



I. A Phillips head screwdriver is required for the assembly of this product.

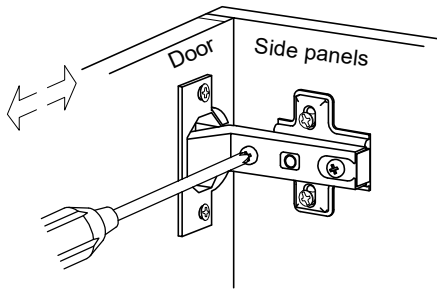


II. Power tools should not be used to assemble this product.

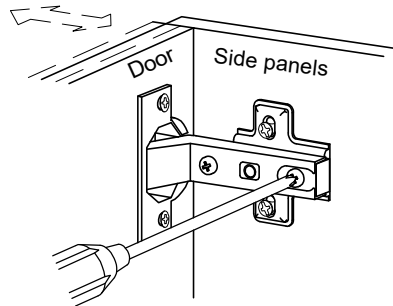


III. Drill may be needed for securing product to wall.

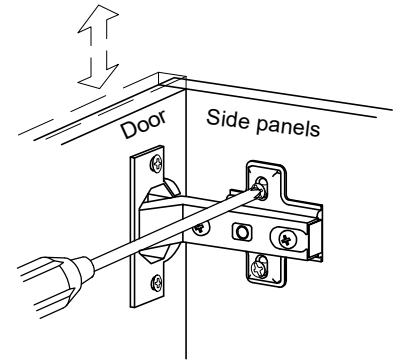
IV. Concealed hinges are three-way adjustable.



Horizontal
by screw adjustment



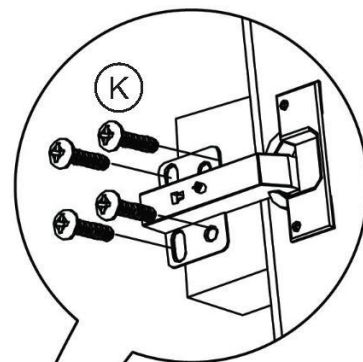
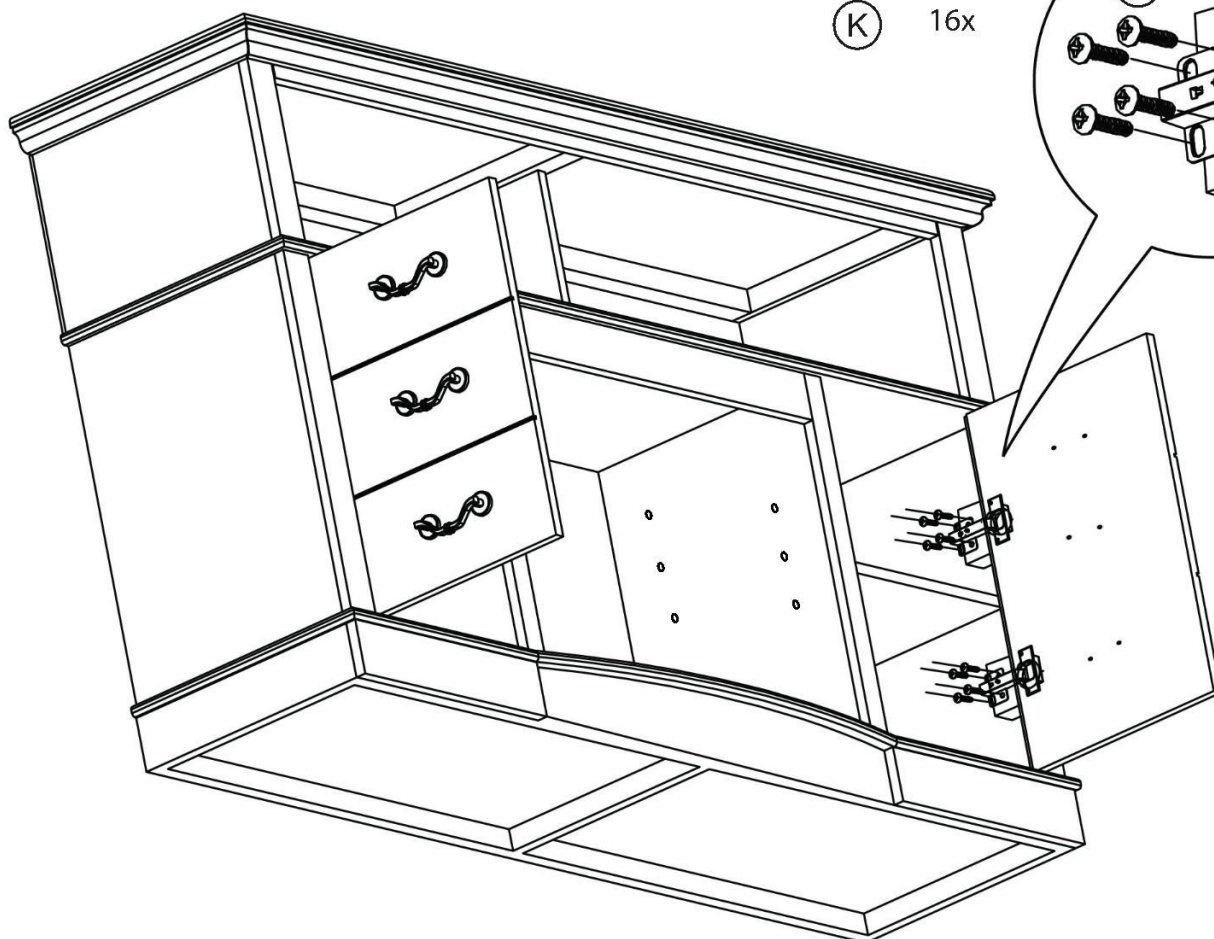
In-and-Out
by loosening the hinge-arm
mounting screw or via cam
adjustment



Vertical
Via slots in the mounting
plate or via cam
adjustment

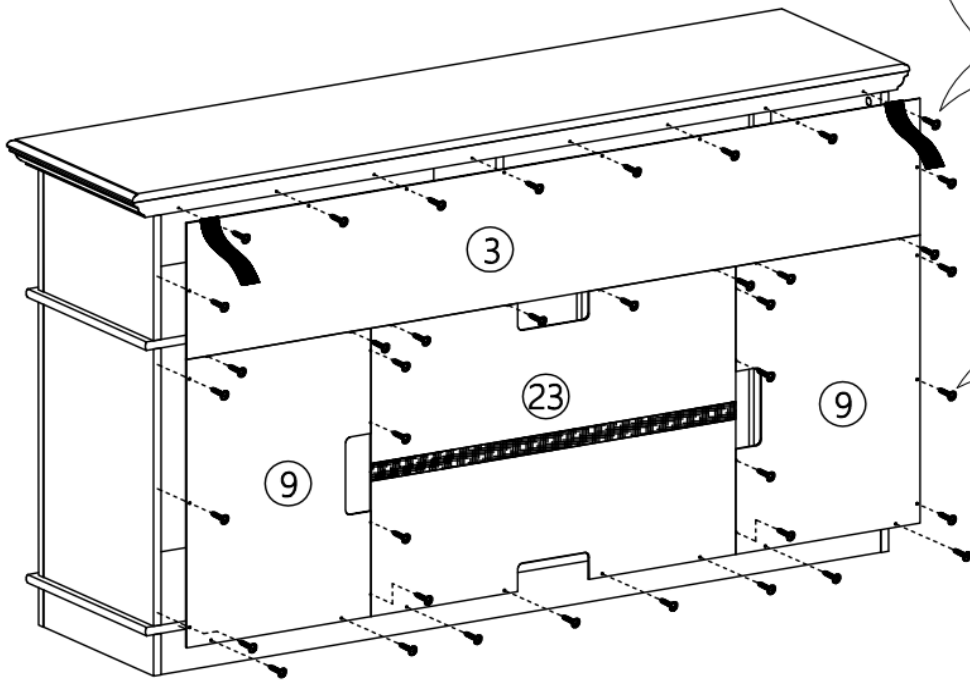
19

(K) 16x

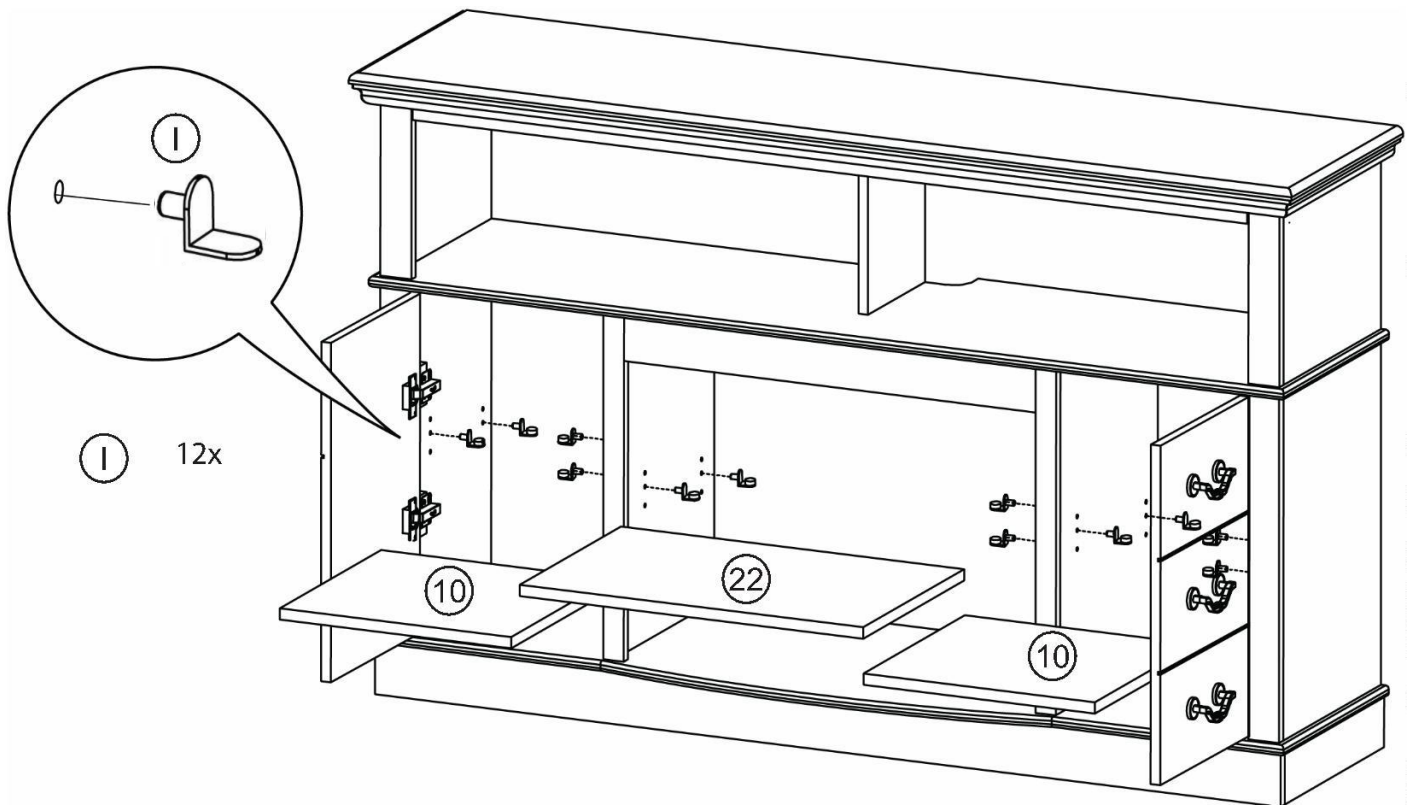


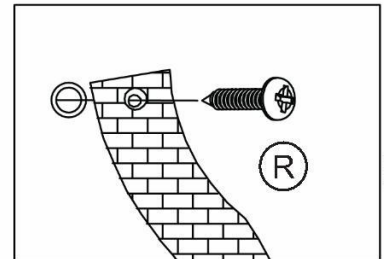
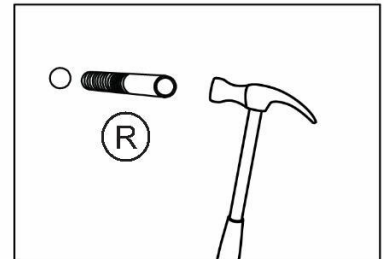
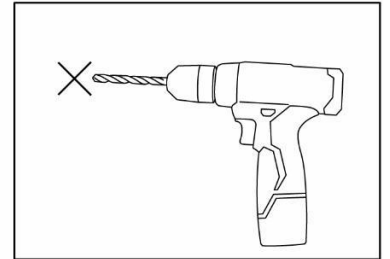
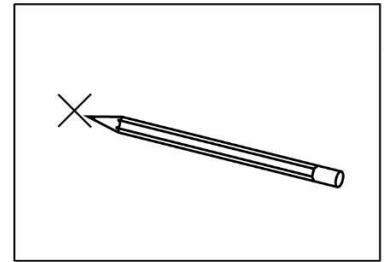
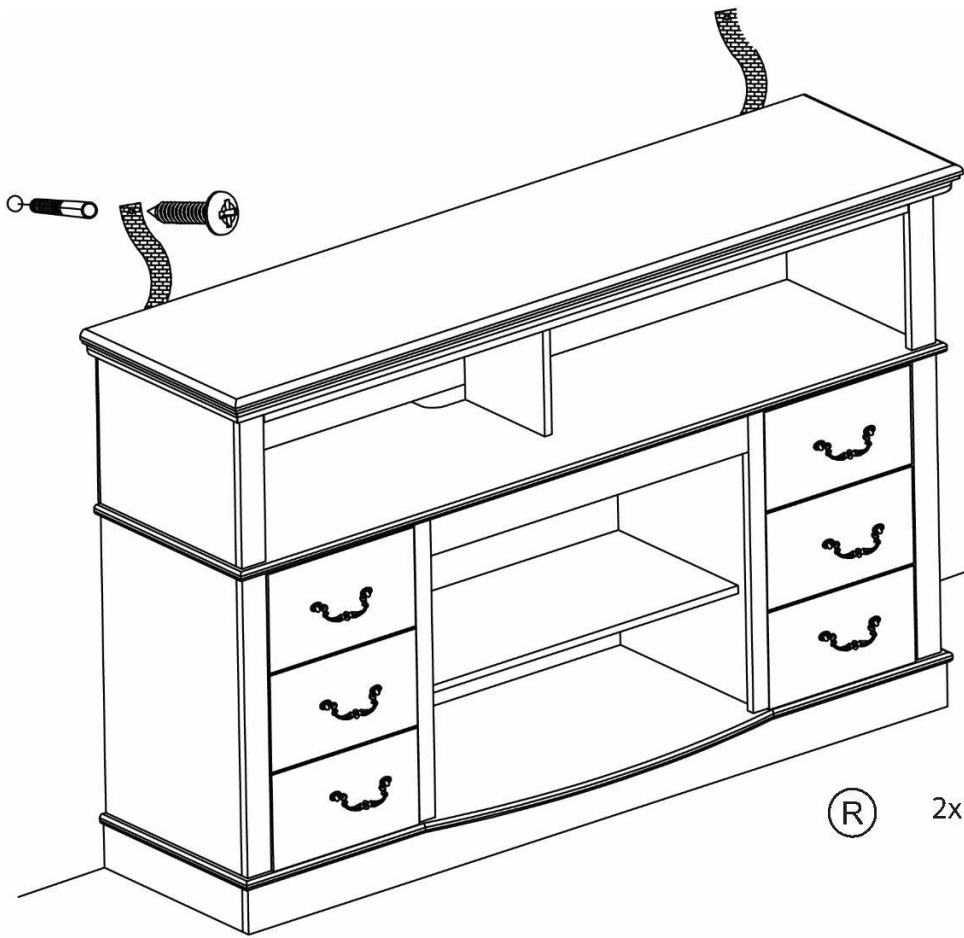
20

- ⓐ 40x
- ⓑ 2x



21





Furniture must permanently fixed to the wall stud with included anti-tipping device to prevent the furniture from tipping over.

- Mark the drill position on the wall with a pencil.
- Drill a small hole on the marked position.
- Insert a wall anchor into the drilled hole.
- Fixed the anti tipping strap to the wall with provided screws.

FINISH!

FURNITURE CARE AND MAINTENANCE

Medium - Density Fiberboard

Thank you for your purchase. We want your item to last as long as possible. To ensure the product gives you years of service, please refer to this care and maintenance guide.



MAINTENANCE

- Tighten all bolts and screws again within the first 2 weeks of assembly.
- Check the tightness of all bolts every 2 months, tighten them if necessary.



CLEANING

- Clean the surface of the MDF (medium - density fiberboard) with a lightly dampened cloth.
- Small amount of mild soap can be used if necessary.
- Dry the surface immediately after cleaning.

⚠ DO NOT use bleach or alcohol detergent to clean the surface.

⚠ DO NOT apply wood treatment on parts made with MDF.

Medium - density fiberboard will swell and distort when suffer from water damage. Make sure to dry the furniture immediately after cleaning.

⚠ WARNING

Manufacturer and seller expressly disclaim any and all liability for personal injury, property damage or losses, whether direct, indirect, or incidental, resulting from the incorrect attachment, improper use, inadequate maintenance, unapproved modification or neglect of this product.