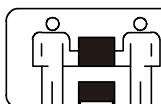
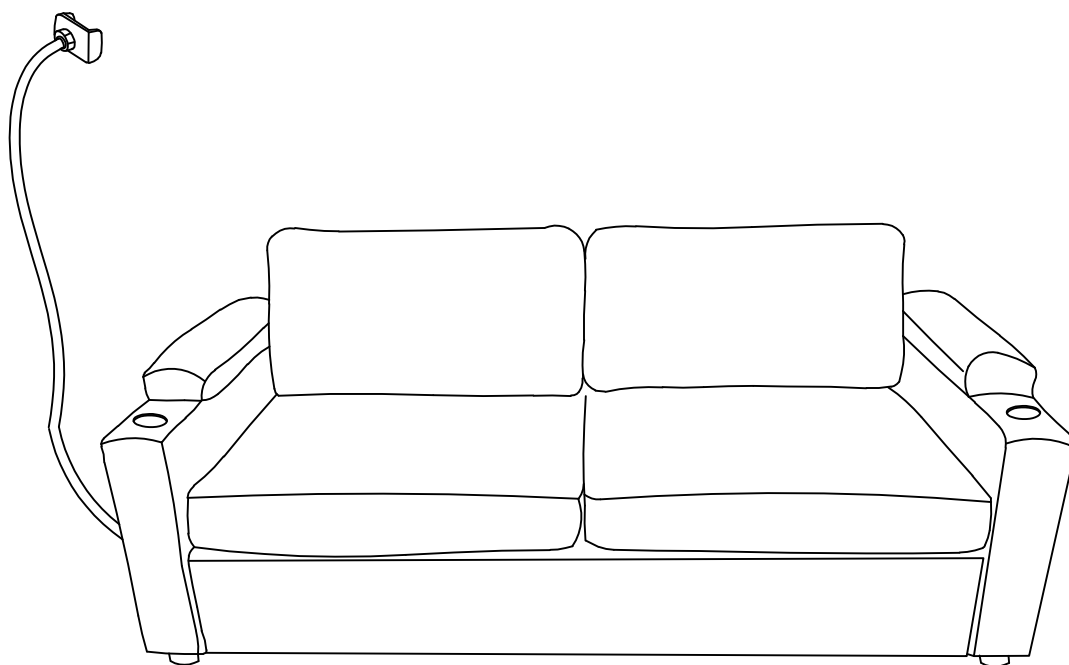


INSTRUCTION



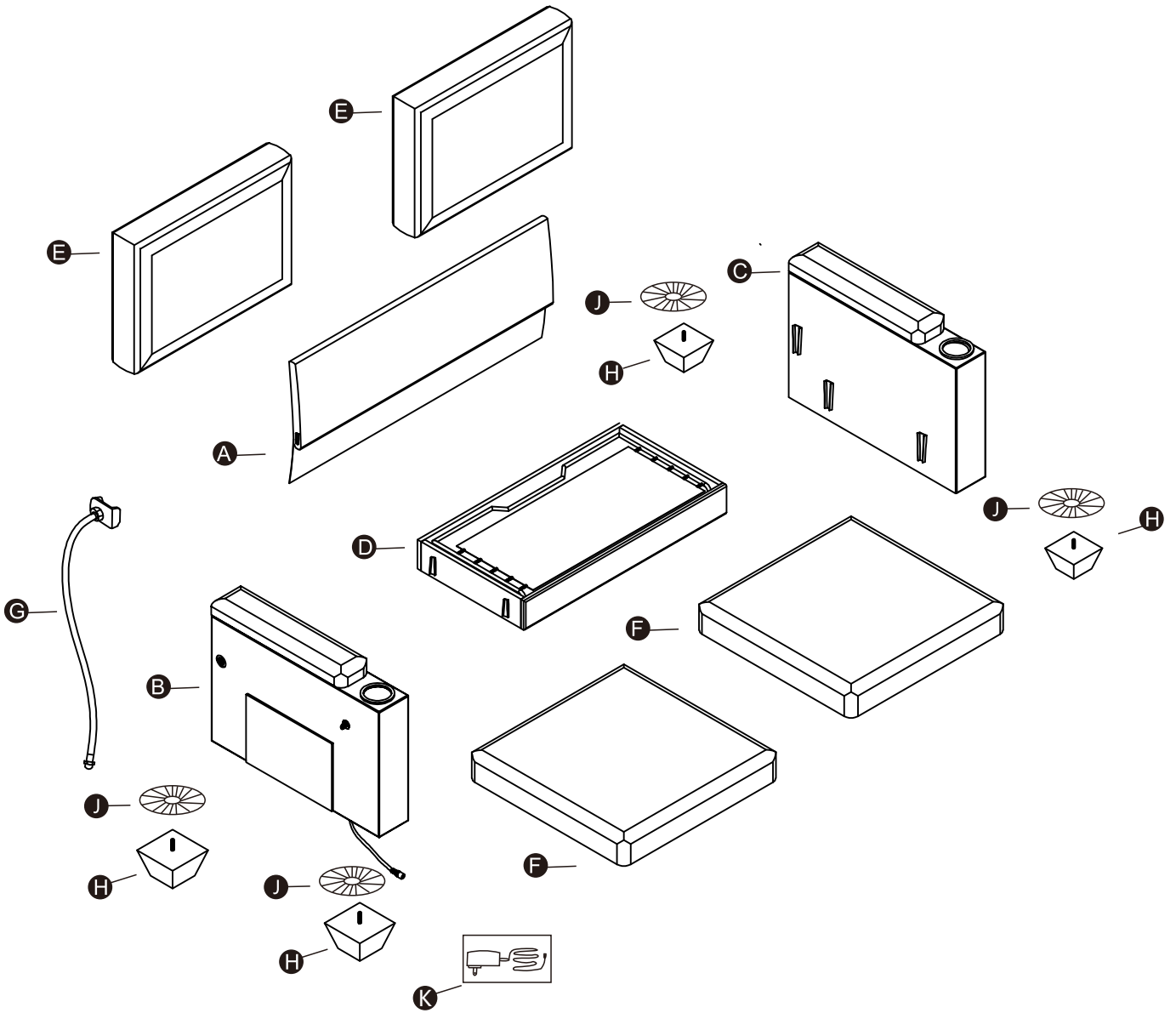
SKU:N719P208880



TEAM ASSEMBLY
RECOMMENDED

TEAMVERSAMMLUNG
EMPFOHLEN

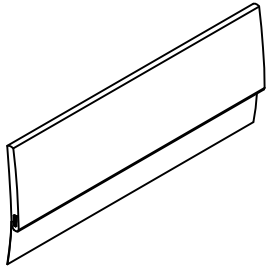
Sofa



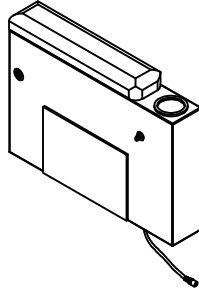
PARTS LIST

N719P208880

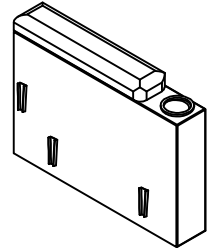
A x1



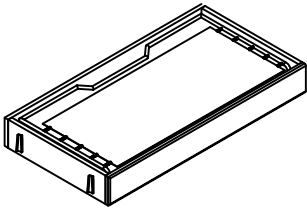
B x1



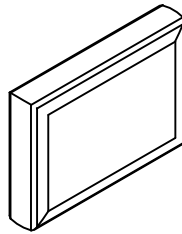
C x1



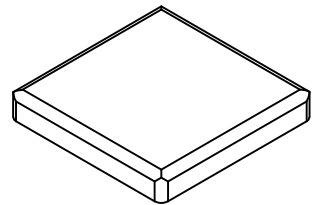
D x1



E x2



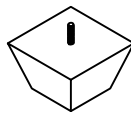
F x2



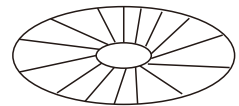
G x1



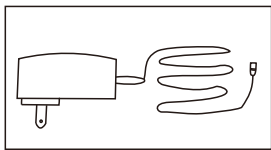
H x4



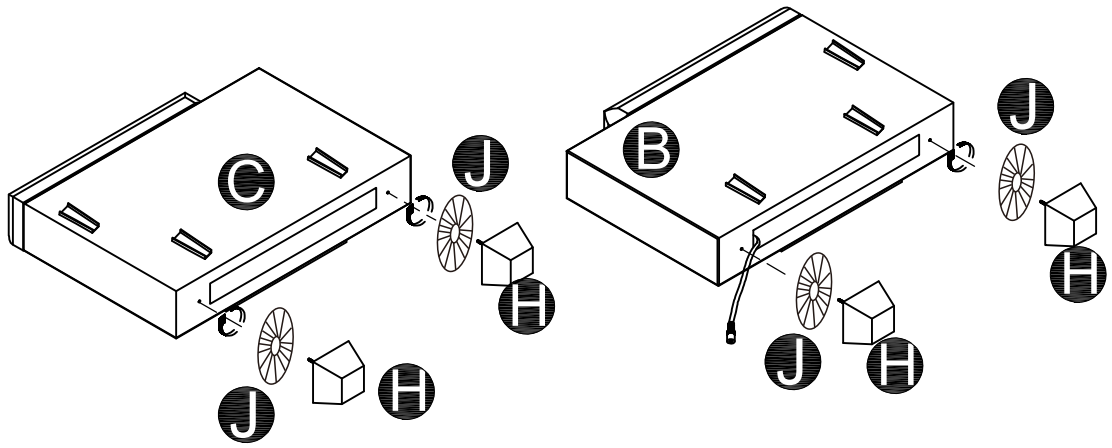
J x4



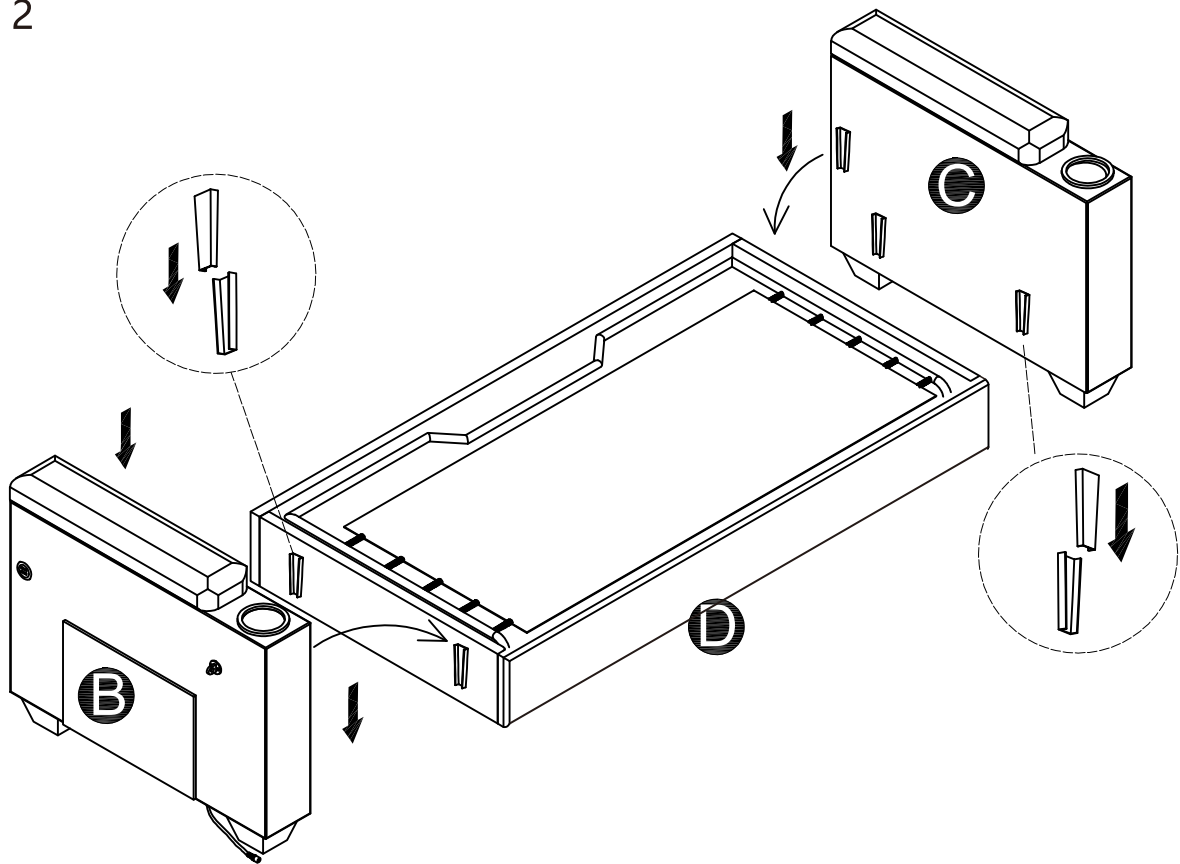
K x1



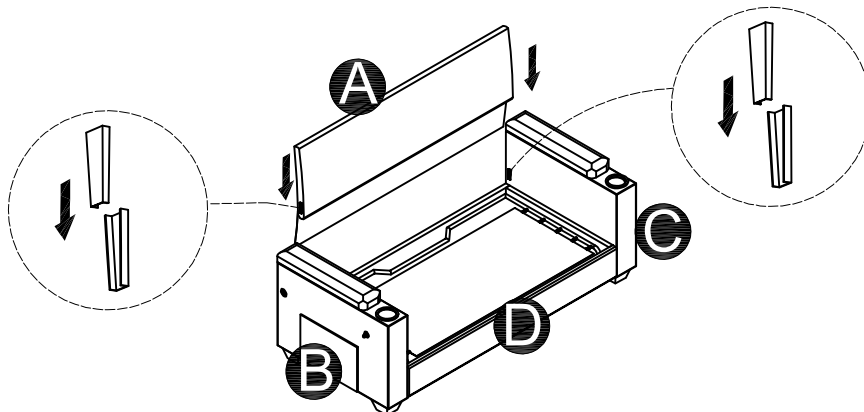
Step 1



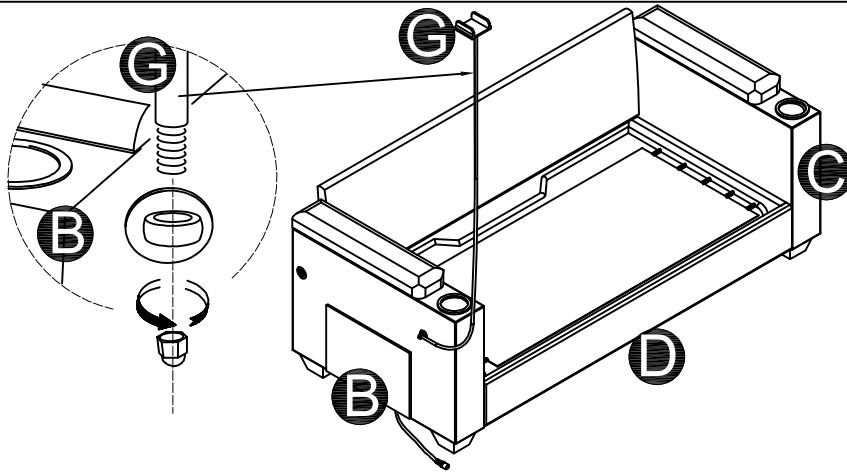
Step 2



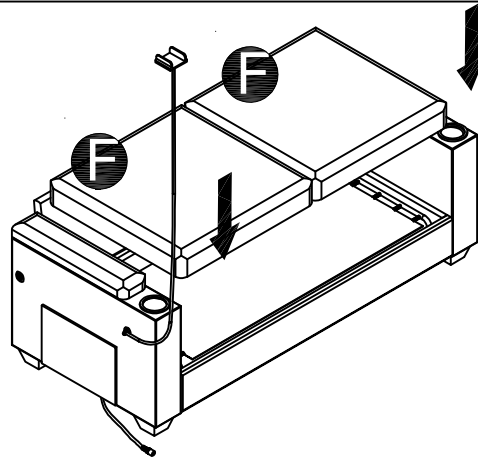
Step 3



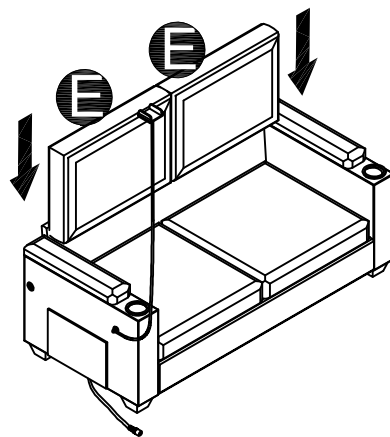
Step 4



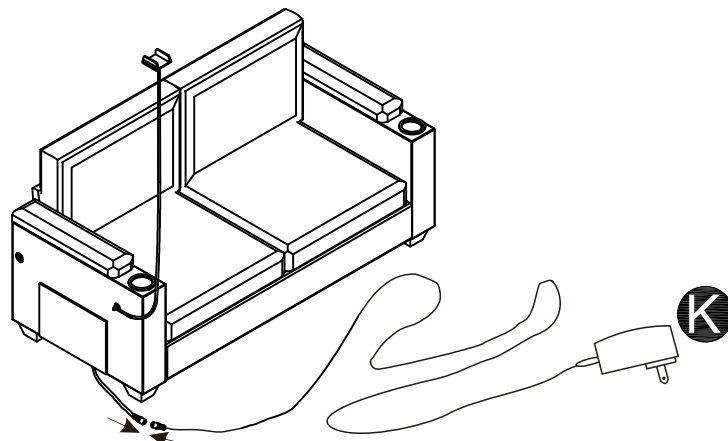
Step 5



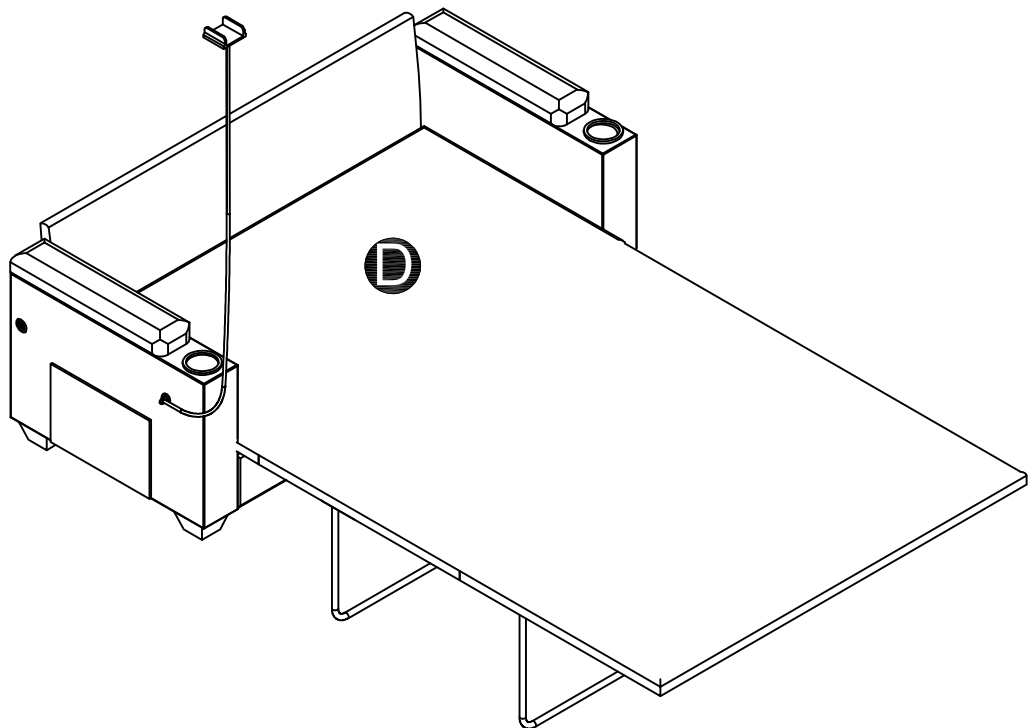
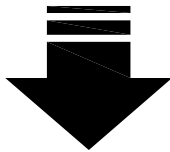
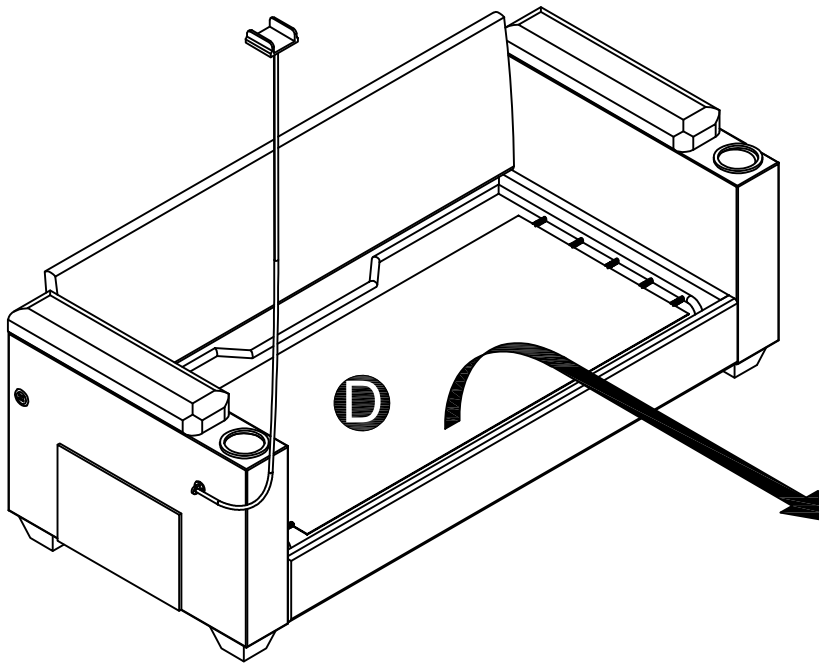
Step 6



Step 7



Step 8




This authorizes the application of the Certification Mark(s) shown below to the models described in the Product(s) Covered section when made in accordance with the conditions set forth in the Certification Agreement and Listing Report. This authorization also applies to multiple listee model(s) identified on the correlation page of the Listing Report.

This document is the property of Intertek Testing Services and is not transferable. The certification mark(s) may be applied only at the location of the Party Authorized To Apply Mark.

Applicant:	Dongguan Kingdrive Industrial Co., Ltd. 02, 2nd floor, Building A, No. 73 Puxing West Road,	Manufacturer:	Dongguan Kingdrive Industrial Co., Ltd. 02, 2nd floor, Building A, No. 73 Puxing West Road,
Address:	Samsung Village, Qingxi Town, DONGGUAN CITY Guangdong Province 523660	Address:	Samsung Village, Qingxi Town, DONGGUAN CITY Guangdong Province 523660
Country:	CHINA	Country:	CHINA

Party Authorized To Apply Mark: Same as Manufacturer
Report Issuing Office: Intertek Testing Services Hong Kong Limited

Control Number: 5011111

Authorized by: 

 for L. Matthew Snyder, Certification Manager



This document supersedes all previous Authorizations to Mark for the noted Report Number.

This Authorization to Mark is for the exclusive use of Intertek's Client and is provided pursuant to the Certification agreement between Intertek and its Client. Intertek's responsibility and liability are limited to the terms and conditions of the agreement. Intertek assumes no liability to any party, other than to the Client in accordance with the agreement, for any loss, expense or damage occasioned by the use of this Authorization to Mark. Only the Client is authorized to permit copying or distribution of this Authorization to Mark and then only in its entirety. Use of Intertek's Certification mark is restricted to the conditions laid out in the agreement and in this Authorization to Mark. Any further use of the Intertek name for the sale or advertisement of the tested material, product or service must first be approved in writing by Intertek. Initial Factory Assessments and Follow up Services are for the purpose of assuring appropriate usage of the Certification mark in accordance with the agreement, they are not for the purposes of production quality control and do not relieve the Client of their obligations in this respect.

Intertek Testing Services NA Inc.
 545 East Algonquin Road, Arlington Heights, IL 60005
 Telephone 800-345-3851 or 847-439-5667 Fax 312-283-1672

Standard(s):	Class 2 Power Units [UL 1310:2018 Ed.7+R:16Aug2019] Power Supplies with Extra-Low-Voltage Class 2 Outputs (R2020) [CSA C22.2#223:2015 Ed.3]
Product:	CLASS 2 POWER SUPPLY
Brand Name:	Dongguan Kingdrive Industrial Co., Ltd.
Models:	KDP-AM, KDP-AG or KDP-AC; followed by six numbers; followed by U.