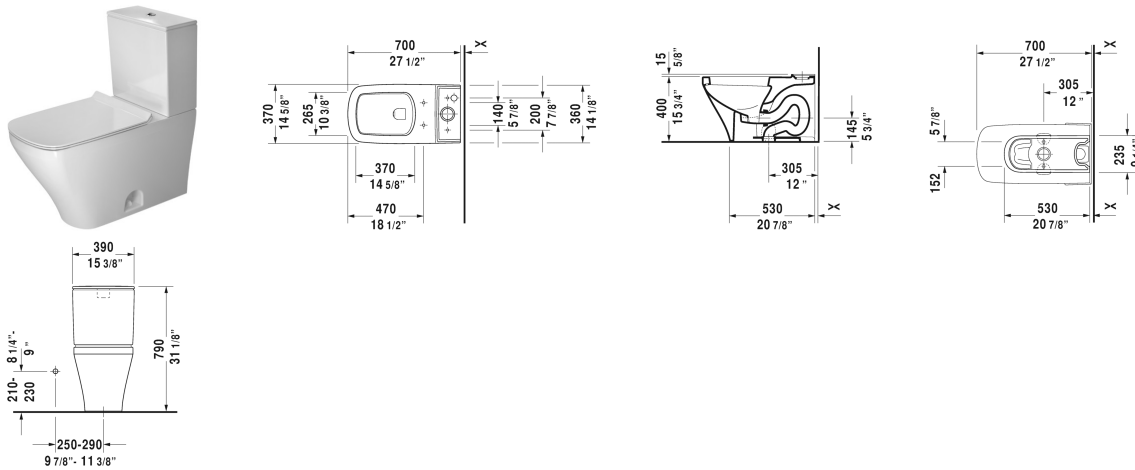


**Two-Piece toilet # 2160010000 / 2160010085**

**< 14 1/8" Inch >**



Two-Piece toilet	Dimension	Weight	Order number
(without cistern), US-version toilet, syphonic, 12" rough-in, vertical outlet, cUPC listed			
<b>Colors</b>			
00 White			
<b>Variant</b>			
◆ 1.32/0.92 gpf, with dual flush piston valve, top flush	14 1/8" x 27 1/2" Inch	92 lb	2160010000
◆ 1.28 gpf, with Single Flush piston valve, top flush	14 1/8" x 27 1/2" Inch	92 lb	2160010085
Sanitary ceramics with the special WonderGliss surface finish will remain clean and attractive-looking for a long time to come. When ordering WonderGliss please add a "1" as eleventh digit to the model number.			
Toilet seat and cover removable, elongated, hinges stainless steel, without slow close		5.7 lb	006051
Toilet seat and cover removable, elongated, hinges stainless steel, with slow close		5.7 lb	006059
Cistern for bottom left supply, cUPC listed	15 3/8" x 6 3/4" Inch	30 lb	093520
Mounting set for One-piece and Two-piece toilets, 1/2", US-version		1.1 lb	001417
<b>Suitable products</b>			
Toilet seat and cover removable, elongated, hinges stainless steel, without slow close,			006051

**Two-Piece toilet # 2160010000 / 2160010085**

**|< 14 1/8" Inch >|**

Toilet seat and cover removable, elongated, hinges stainless steel, with slow close,		006059
Cistern for bottom left supply, cUPC listed, 15 3/8" x 6 3/4" Inch	15 3/8" x 6 3/4" Inch	093520

*All drawings contain the necessary measurements which are subject to standard tolerances. They are stated in inch & mm and are non-binding. Exact measurements, in particular for customized installation scenarios, can only be taken from the finished ceramic piece.*