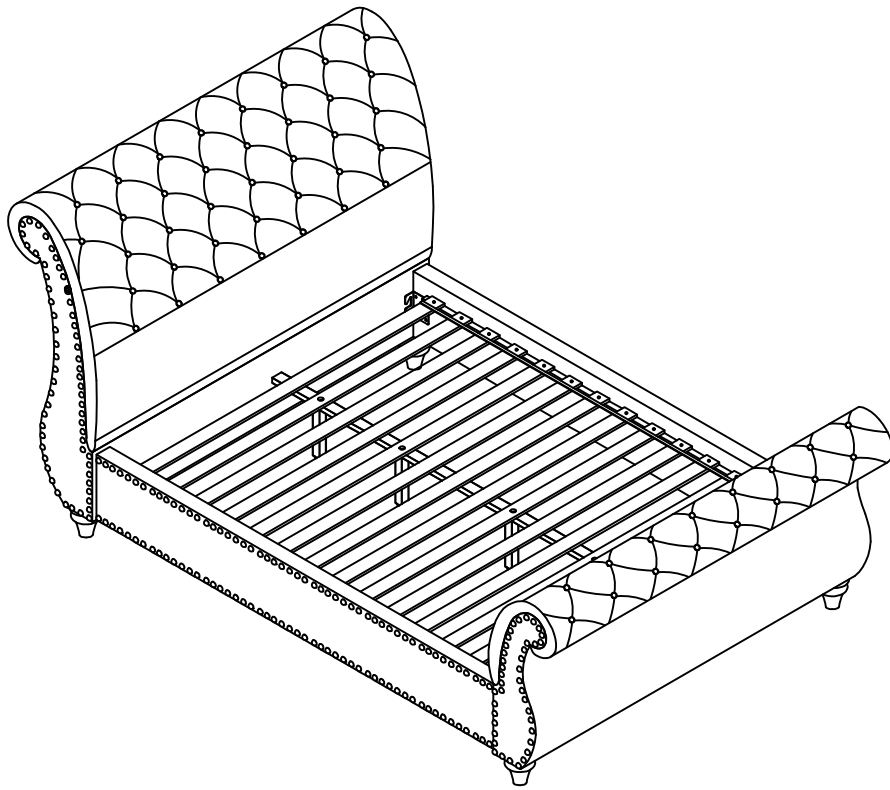


Assembly Instructions

B1101/B1102/B1103-Q



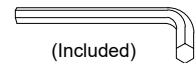
ASSEMBLY RATING

The Assembly Rating is a 5-point system that shows the degree of effort needed in assembling a specific product (with 1 being easy and 5 being difficult). For some products, two persons are recommended.

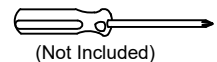
EASY  DIFFICULT

Tools Required For Assembly:

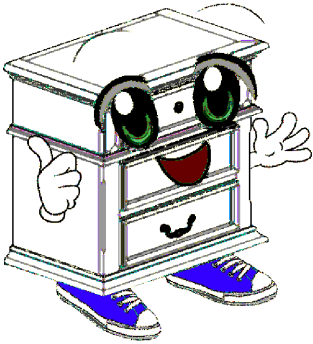
Allen Wrench



Phillips Screwdriver



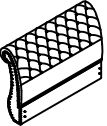
2 PERSONS RECOMMENDED

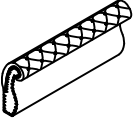



Before you begin, please read Page 2 of "Assembly and Care Advice".


And remember, do not tighten until each step is completed or instructed.

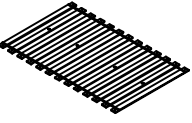
Parts List


- 


#1 x 1pc
Headboard
- 

#2 x 1pc
Footboard
- 

#3 x 2pcs
Side Rail
- 

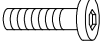
#4 x 4pcs Ø5/16"
Support Leg 30x30x310mm
- 


#5 x 1set
Slat (13pcs)
- 


#6 x 4pcs
HB/FB Foot
- 

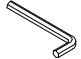
#7 x 1pc
Support Rail


Hardware List

- 

#A x 8pcs
Bolt Ø5/16" x 1-1/2"
- 

#B x 8pcs
Lock Washer Ø5/16"
- 

#C x 8pcs
Flat Washer Ø5/16"
- 

#D x 1pc
Allen Wrench 5mm
- 

#E x 26pcs
Screw #8 x 38mm

Exploded View

