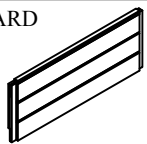
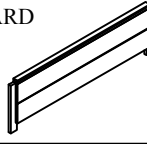
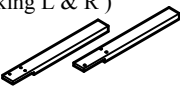
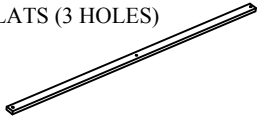
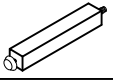
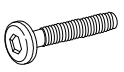




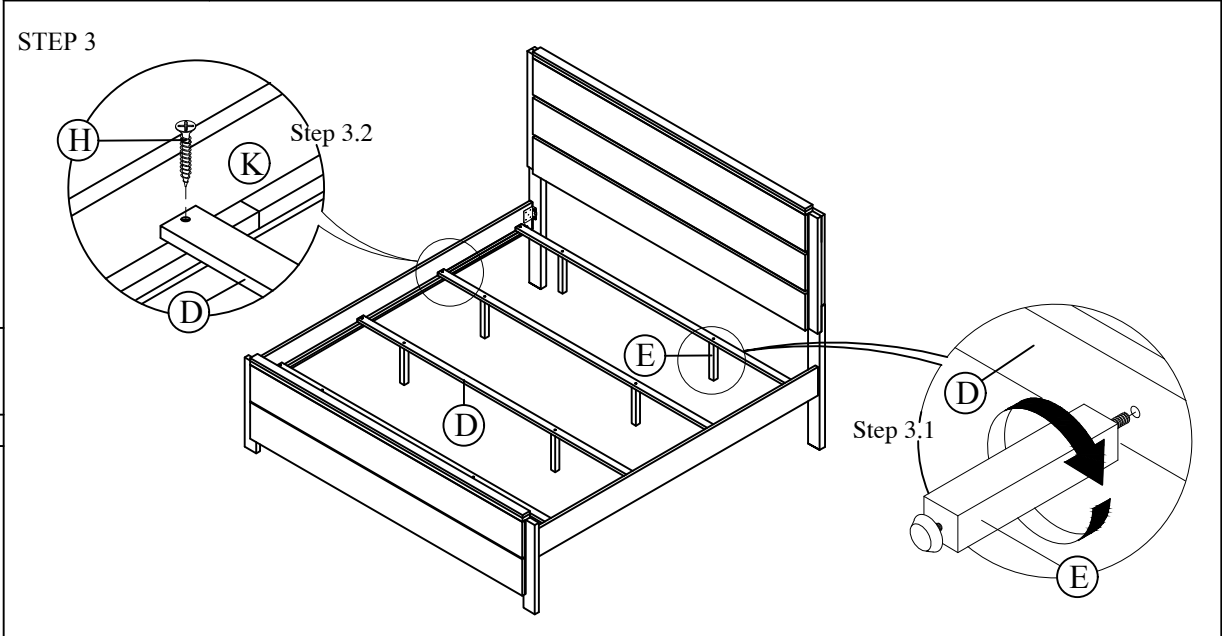
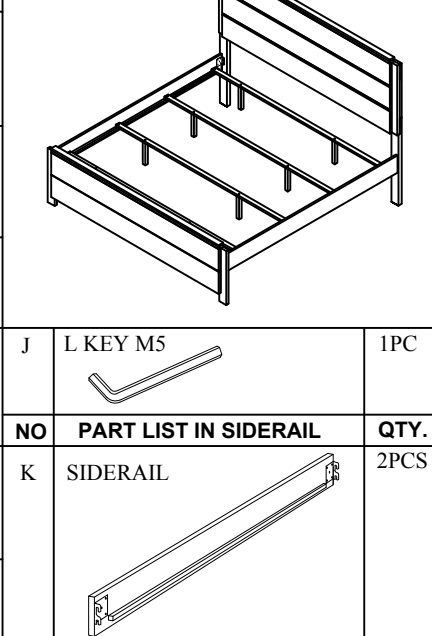
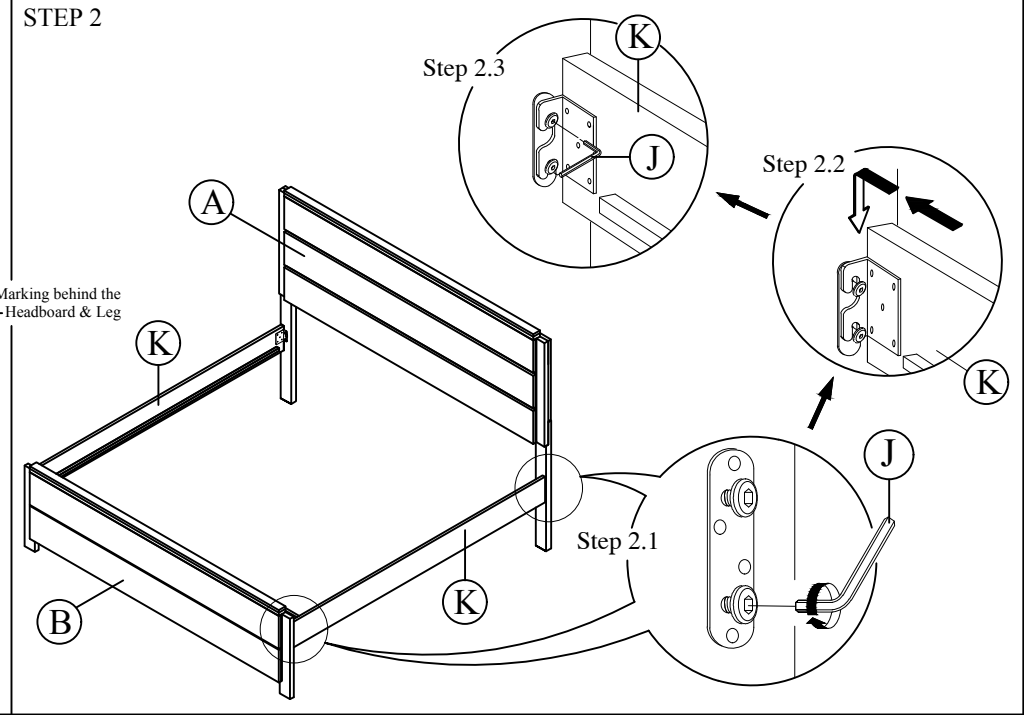
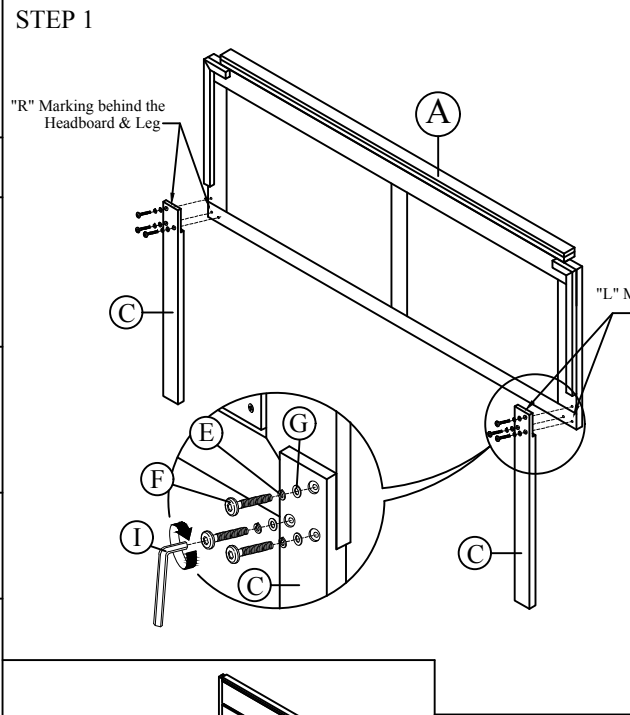

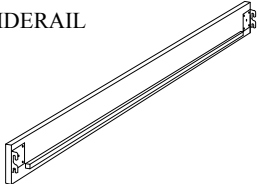


ASSEMBLY INSTRUCTION

REVISION : B

NO	PART & HARDWARE LIST IN HEADBOARD	QTY.
A	HEADBOARD 	1PC
B	FOOTBOARD 	1PC
C	LEG (Marking L & R) 	2PCS
D	SLATS (3 HOLES) 	4PCS
E	BED SLAT SUPPORT 	8PCS
F	JCBC M6 X 30mm 	6PCS
E	SPRING WASHER $\text{\O} \frac{1}{4}$ " 	6PCS
G	FLAT WASHER $\text{\O} \frac{1}{4}$ " x 13mm 	6PCS
H	CSK M4 x 32mm 	8PCS
I	L KEY M4 	1PC



J	L KEY M5	QTY.
J	L KEY M5 	1PC
K	SIDERAIL	QTY.
K	SIDERAIL 	2PCS