

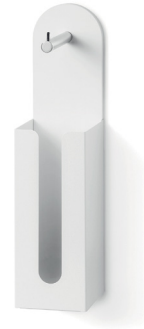
# Product Specs Sheets

Cover Page

## Seta 5135

### Features

- Toilet Paper Holder with Additional Storage
- Available in 2 Finishes
- Aluminum Base
- Premium Metal Construction for Durability and Reliability
- Made in Italy



### SKU# | Option:


- Seta 5135.09 | White
- Seta 5135.18 | Matte Black

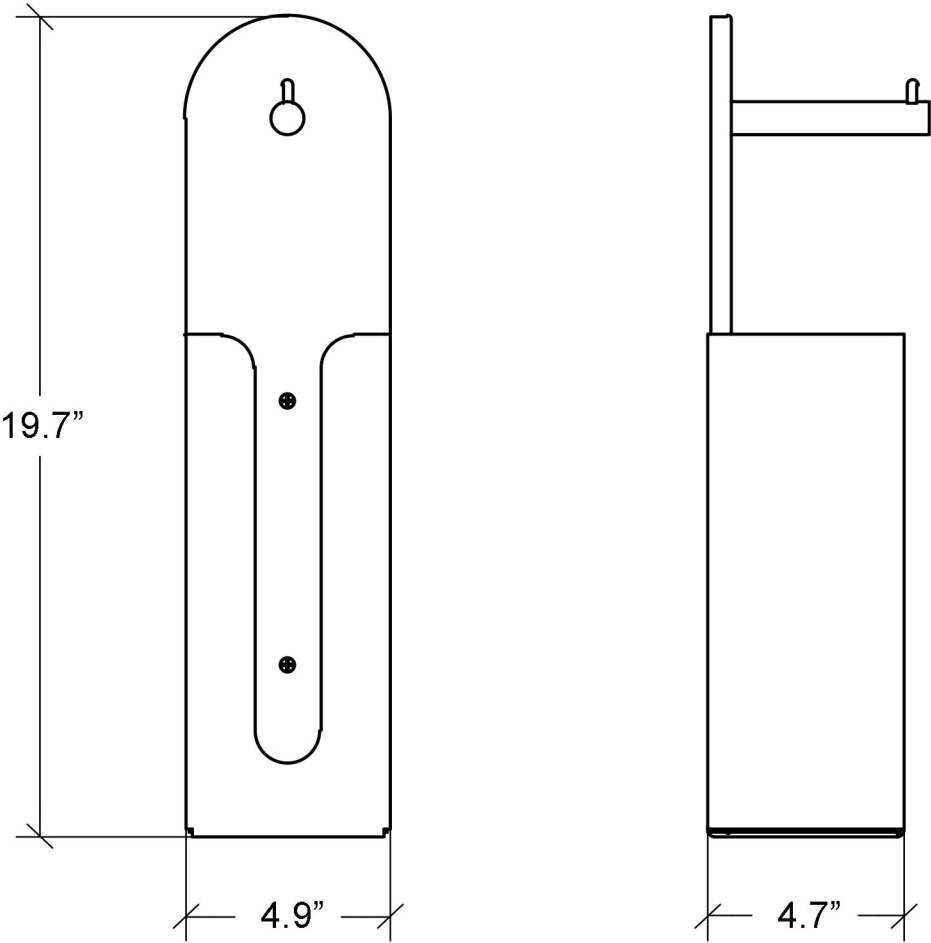
### Finishes:

 White

 Matte Black

\* WS Bath Collections reserves the right to revise dimensions or information on this sheet without notice

<b>Collection</b> Seta	<b>Model  </b> Seta 5135	Dimensions Metric <i>1 inch = 2.54 cm</i> <i>1 inch = 25.4 mm</i>	 1051 Lea Drive - Collegeville, PA 19426 Tel. 215 513 9400 - Fax 610 831 0215 <a href="http://www.ws bathcollections.com">www.ws bathcollections.com</a> - <a href="mailto:info@ws bathcollections.com">info@ws bathcollections.com</a>
---------------------------	-----------------------------	---	---



\* WS Bath Collections reserves the right to revise dimensions or information on this sheet without notice

**Collection |**  
Seta

**Model |**  
Seta 5135

Dimensions Metric  
*1 inch = 2.54 cm*  
*1 inch = 25.4 mm*

**WS<sup>®</sup>** BATH COLLECTIONS  
1051 Lea Drive - Collegeville, PA 19426  
Tel. 215 513 9400 - Fax 610 831 0215  
[www.ws bathcollections.com](http://www.ws bathcollections.com) - [info@ws bathcollections.com](mailto:info@ws bathcollections.com)