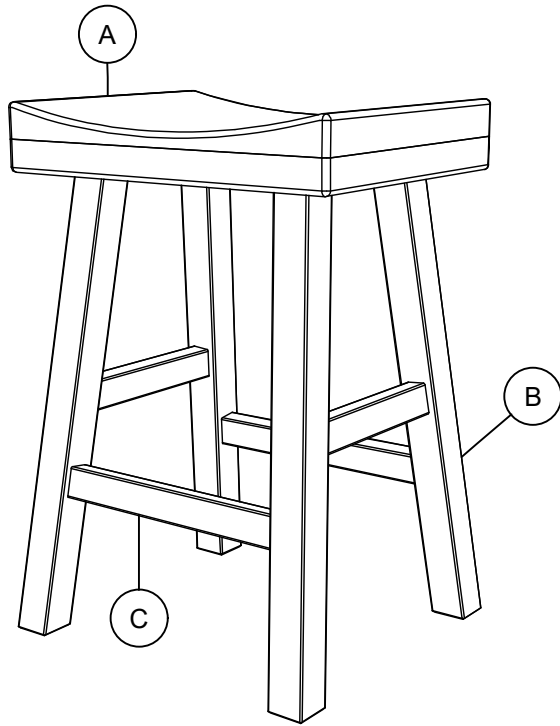


# CHAIR & TABLE COMPANY

Thank you for purchasing a Chair & Table Company product. This product has been designed for easy assembly and is constructed for durability. Please take this time to read and follow the assembly instruction carefully. If a part or hardware is missing or you have any difficulties in assembling this product, please contact us.





## ASSEMBLY INSTRUCTION #548- 24/30 SADDLE STOOL

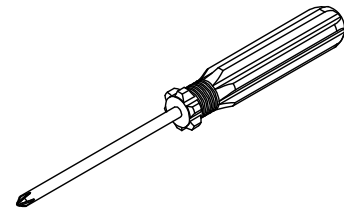


### PARTS CHECK LIST

CODE	COMPONENTS	Q'TY
(A)	STOOL SEAT	1 PC
(B)	LEG FRAME ( L & R )	2 PCS
(C)	STRETCHER	2 PCS

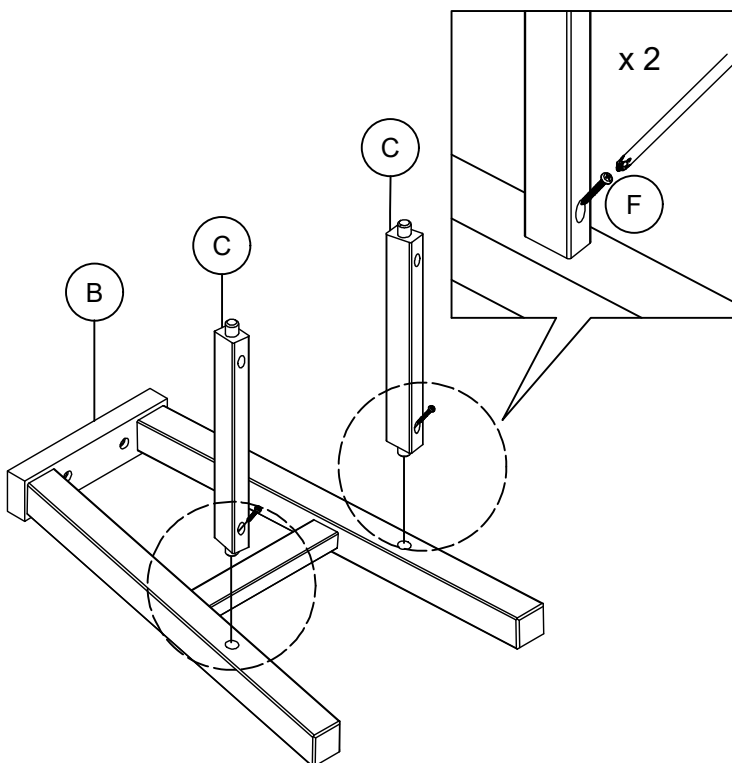
### PARTS CHECK LIST

CODE	DESCRIPTION	Q'TY
(D)	 JCBC SCREW M6 x 40MM	4 PCS
(E)	 SPRING WASHER 1/4" x 13	4 PCS
(F)	 PH SCREW M4 x 38MM	4 PCS
(G)	 ALLEN KEY M4 x 100MM	1 PC

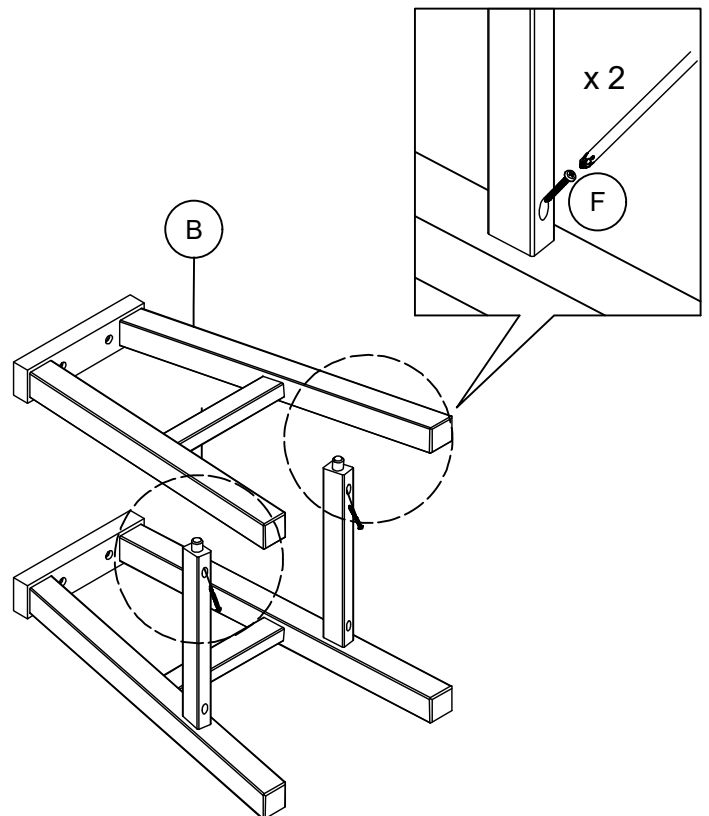


PHILLIPS HEAD SCREWDRIVER  
TOOL NEEDED ( NOT INCLUDED )

1. Loosely tighten PH screws.

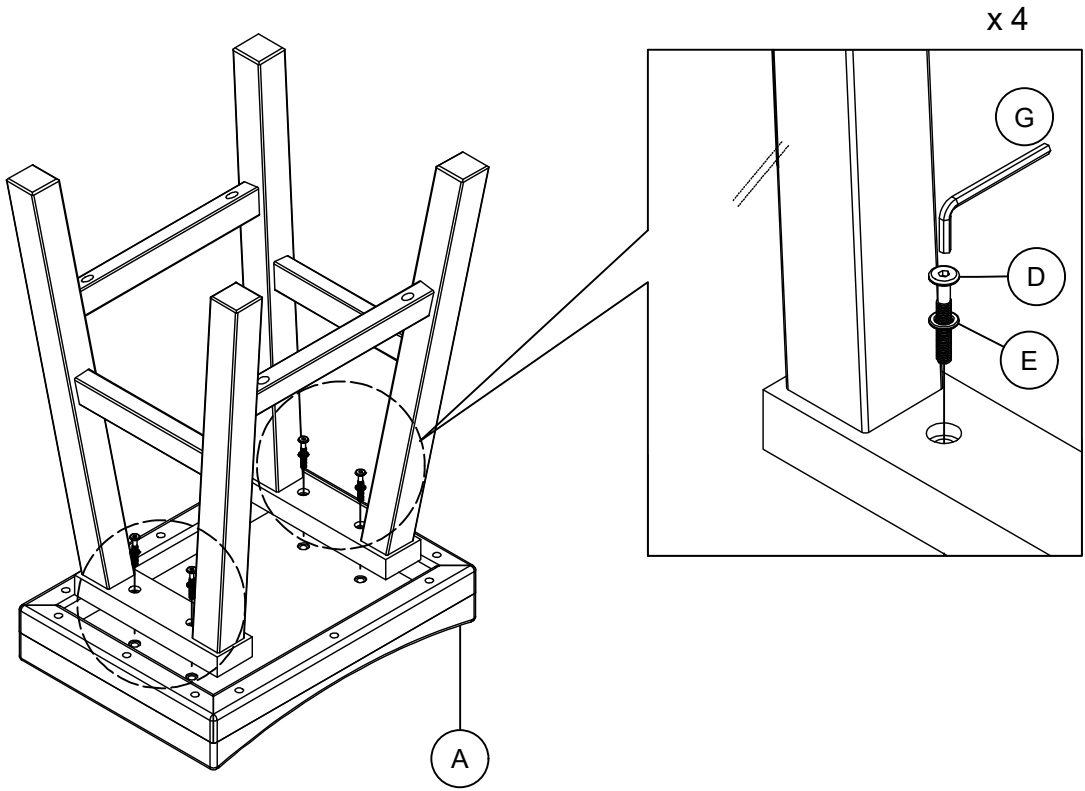


2. Loosely tighten PH screws.



3.

Fully tighten all PH and JCBC screws.



4.

