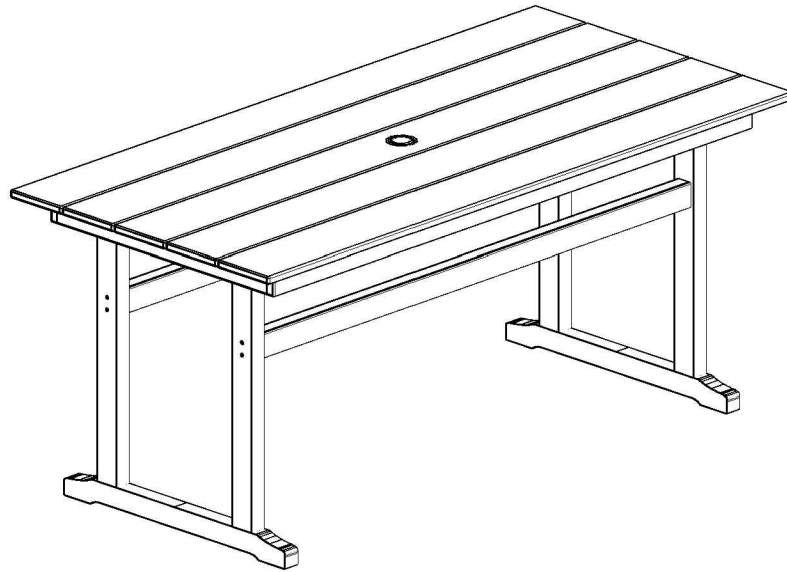
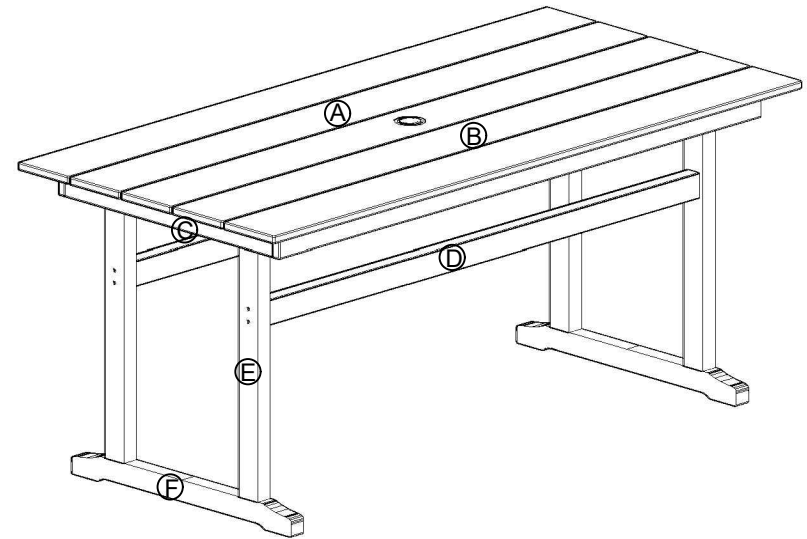


Desk



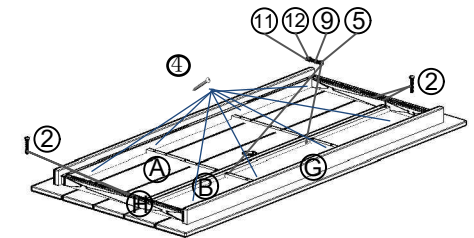
ASSEMBLY



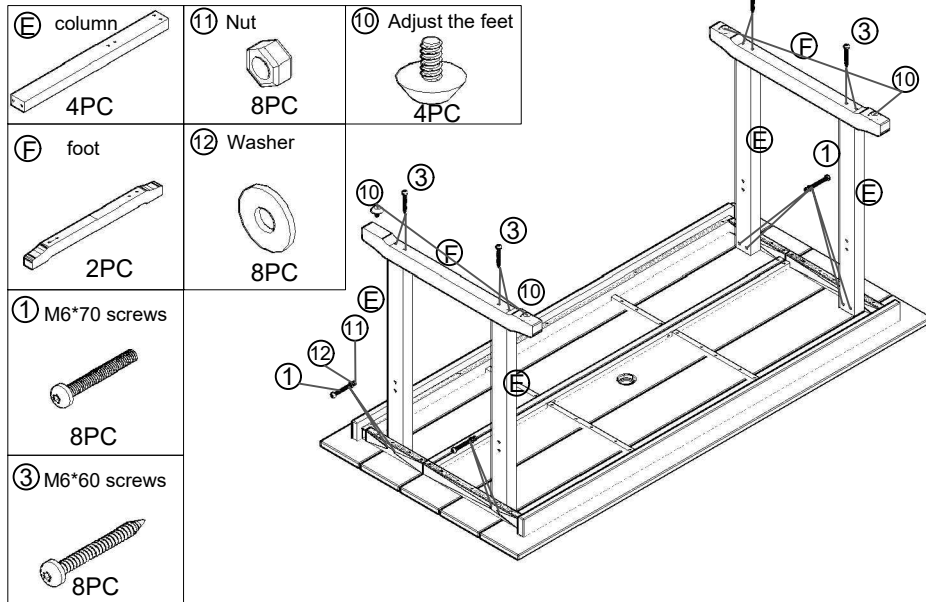
Step1: Assemble the panels

A Desktop 1PC	B Desktop 1PC	C Panel support 2PC	D Pull gear 2PC	E column 4PC	F foot 2PC	G Desktop Long support 2PC
H Link block 2PC	1 M6*70 screws 8PC	2 M6*15 screws 8PC	3 M6*60 screws 16PC	4 M6*35 screws 14PC	5 M6*50 screws 2PC	6 Allen wrench 1PC
7 WRENCH 1PC	8 Umbrella hole plastic parts 1PC	9 Nylon gaskets 2PC	10 Adjust the feet 4PC	11 Nut 10PC	12 Washer 10PC	

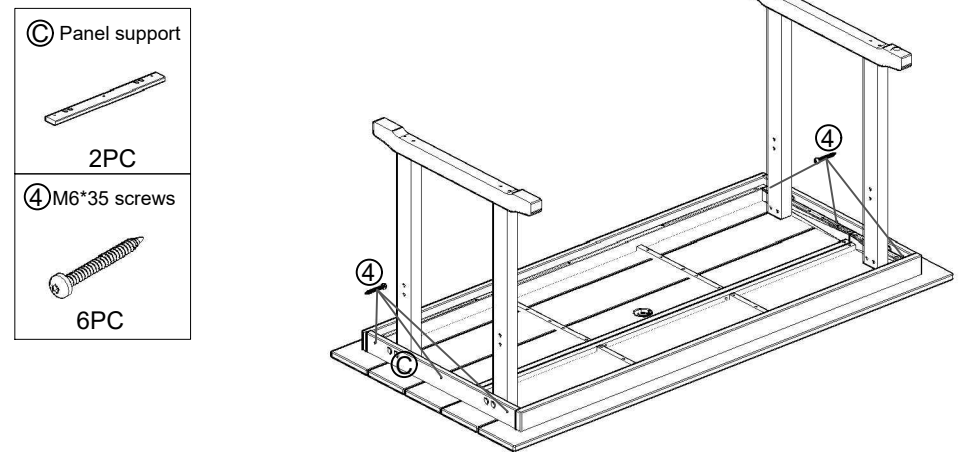
A Desktop 1PC	2 M6*15 screws 8PC	11 Nut 2PC	12 Washer 2PC
B Desktop 1PC	4 M6*35 screws 8PC		
G Desktop Long support 2PC	5 M6*50 screws 2PC		
H Link block 2PC	9 Nylon gaskets 2PC		



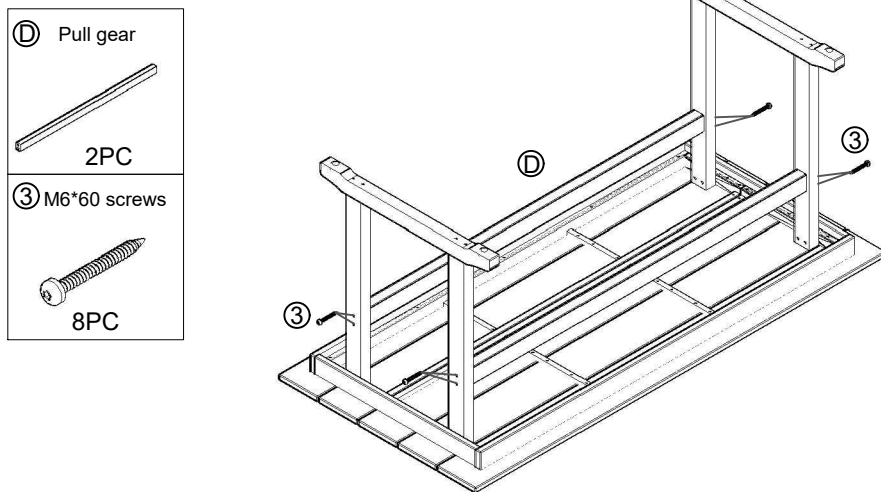
Step2: Assemble the columns and feet



Step3: Assemble the panel holders



Step4: Assemble the Pull gear



Step5: Assemble the plastic parts of the umbrella hole

