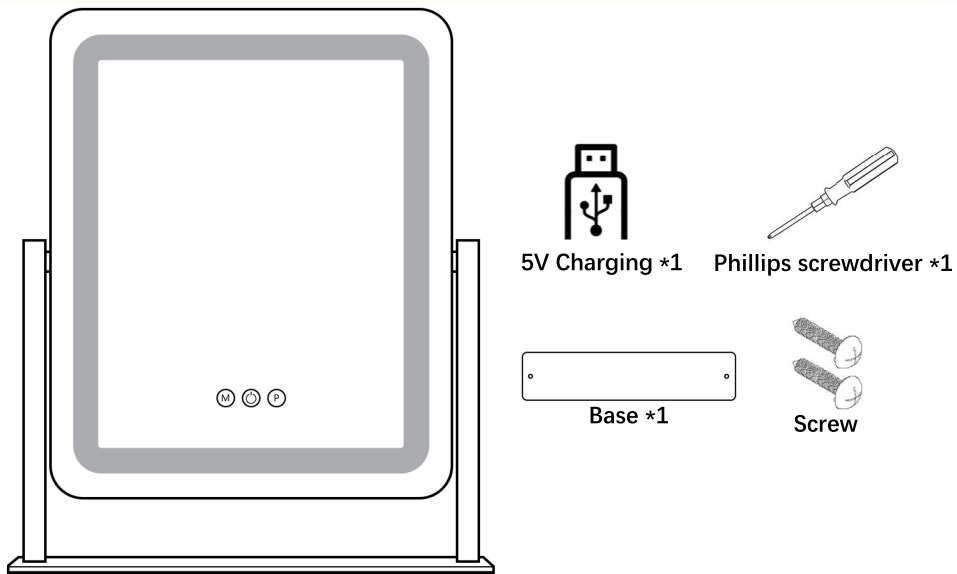
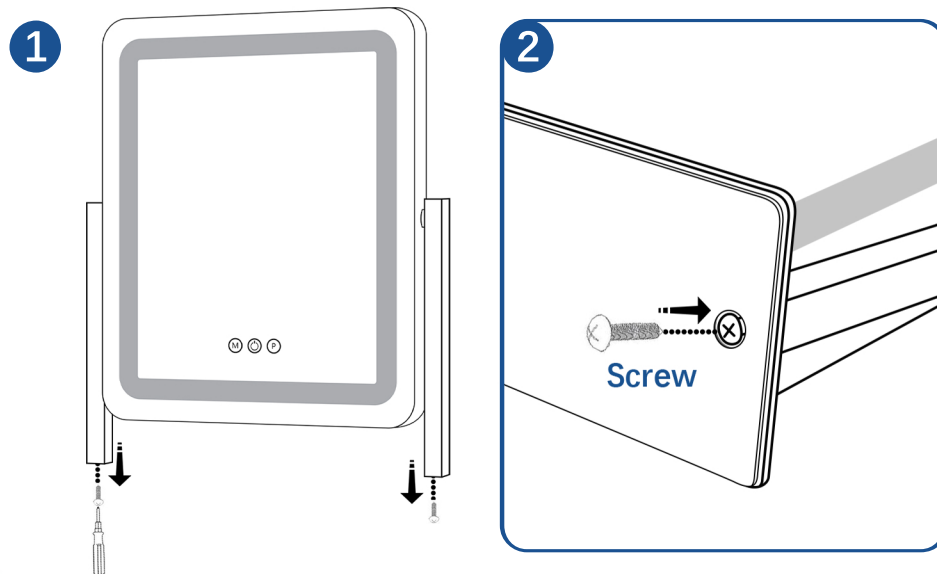


Installation Instruction

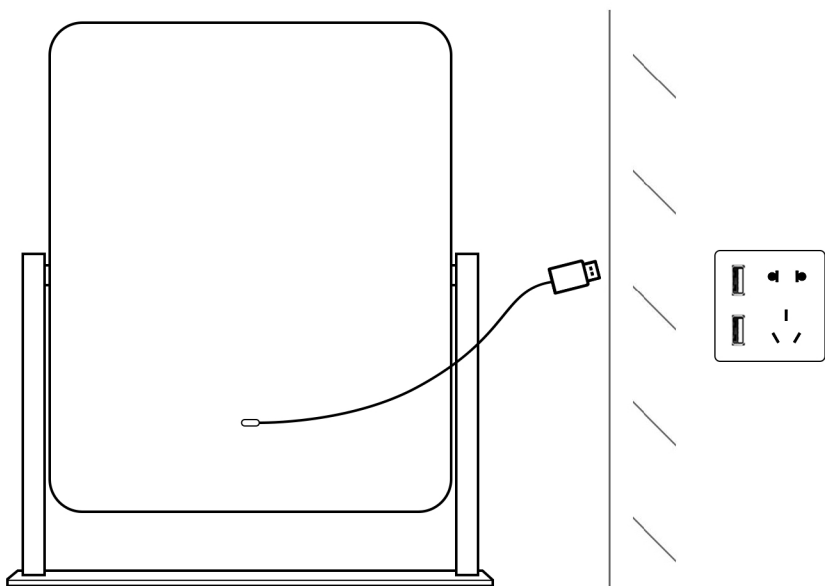
1 Take out the mirror and the accessories






2 1. Unscrew the bolts from the base of the support column. 2. Install the base plate onto the support column.



3 Plug in the power



4 Click the button to switch the color, long press the button to adjust the brightness

-  Press and Hold to Adjust the Brightness.
-  Turn On/Off.
-  Change Lighting Mode.

