

BMC






Bassett Mirror Co., Inc
 Bassett, Virginia 24055

Assembly Instruction
 SKU# 3194-120/3194-220

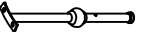


Thank you for your purchase. Before discarding packaging material be sure you have located all the parts including the necessary hardware and tools listed on the instruction sheet below.

caution: Read before unpacking Assemble parts. "Sharp exposed staple tips can cause injury. For your Protection, please remove any exposed staples used in packaging.

Assembly Hardware List

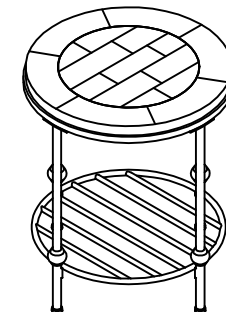
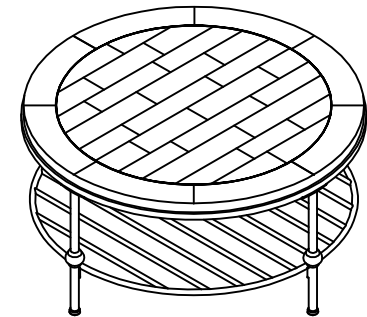
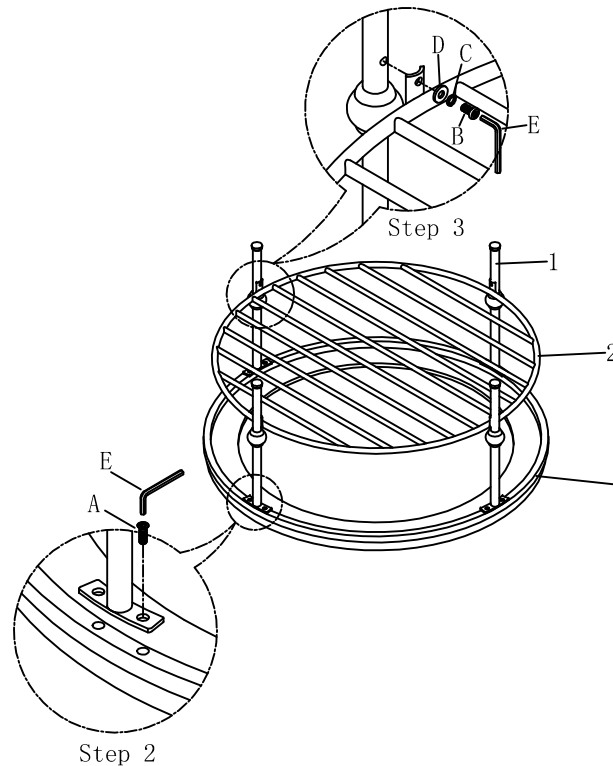
Step 1 Number	Hardware Type	Description	Q' TY
A		Ø1/4 X 1/2" FLAT ALLEN HEAD BOLT	8PCS
B		Ø1/4 X 3/4" ALLEN HEAD BOLT	4PCS
C		Ø1/4" SPRING WASHER	4PCS
D		Ø1/4" *13 FLAT WASHER	4PCS
E		Ø1/4" ALLEN WRENCH	1PC

Parts List

Step 1 Number	Type	Parts Description	Q' TY
1		Metal Leg	4PCS
2		Metal Shelf	1PC
3		Top	1PC

INSTRUCTIONS

- Step 1: Please take out all parts from carton box.
Place all parts on soft surface.
- Step 2: Assemble meta leg (1) and top (3) with bolt (A) by Allen Wrench (E).
- Step 3: Loosely attach Metal Shelf (2) to Metal legs (1) with bolt (B), spring Washer (C) and flat washer (D) by Allen Wrench (E).
Then tighten all bolts.
- Step 4: Turn upright the table. See the illustration.



CUSTOMER HELP LINE FOR ASSEMBLE

(276) 629-3341 EXT 3206

Thank you for your purchase.

Assemble is completed