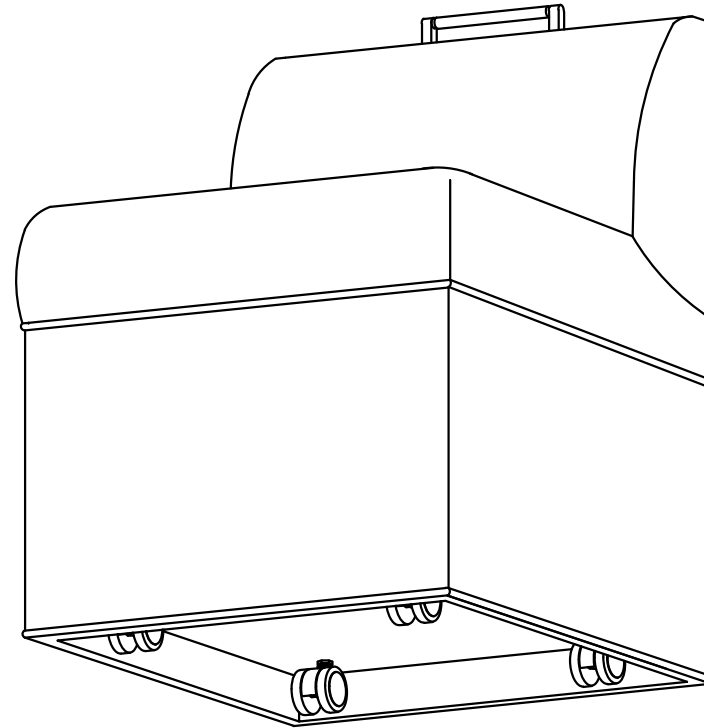


PRODUCT INTRODUCTION

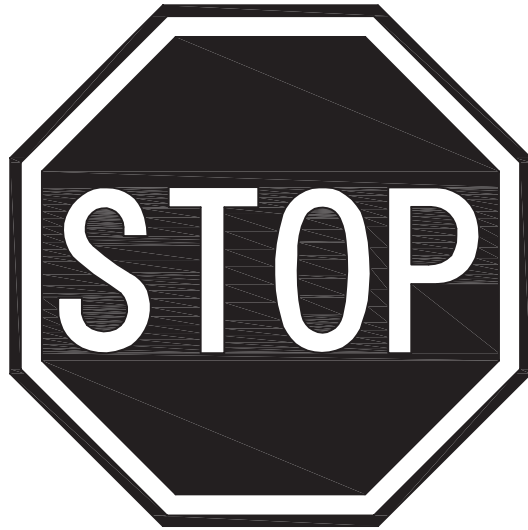
ITEM NO: 6400PF

Accent Chair



NOTE 1 : CASTERS ARE PRE-INSTALLED

NOTE 2 : MAXIMUM WEIGHT LIMIT 330LBS



*****I M P O R T A N T M E S S A G E*****

Please check to insure you have received all parts listed on the instruction sheet provided. If you did not receive all parts or received damaged parts please email or call the following:

Email: shannon@comfortpointe.com

Phone: 336-861-0604 Contact: Shannon

Office hours 8am to 6pm EST

You will need to provide the item number purchased, your reference number, and identify which part is missing/damaged, all parts orders are considered priority.

Thank You