

WARNING

- * Switch off the main electrical supply from the main fuse box / circuit breaker before installation.
- * Inspect item carefully before attempting to install.
- * If there is any damages or obvious defects, do not install.
- * Item may not be returned once it has been installed.

CARE AND MAINTENANCE

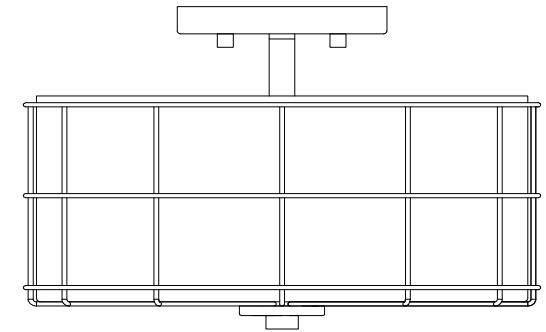
- * To clean the outside of the fixture, use a dry or slightly dampened clean cloth (use clean water, never a solvent) to wipe the surface of the fixture.
- * To clean the inside of the fixture, first disconnect power to the fixture by turning off the circuit breaker or by removing the fuse at the fuse box. Next, use a dry or slightly dampened clean cloth (use clean water, never a solvent) to wipe the interior surface of the fixture.
- * Do not use any cleaners with chemical, solvents or harsh abrasives. Use only a dry soft cloth to dust or wipe carefully.

NOTICE& IMPORTANT SAFETY INSTRUCTIONS

- * Please make sure that you have all parts indicated before you begin assembly of this item
- * This item should be assembled on a soft surface to prevent scratching the finish during assembly
- * To reduce the risk of fire, electrical shock or injury to persons or property, please follow the guideline below for safe use and installation
- *The external flexible cable or cord of this luminaire cannot be replaced
If the cord is damaged, the luminaire shall be destroyed

Owner Manual

Product Dimensions: 12.5"L X 12.5"W X 9.5"H



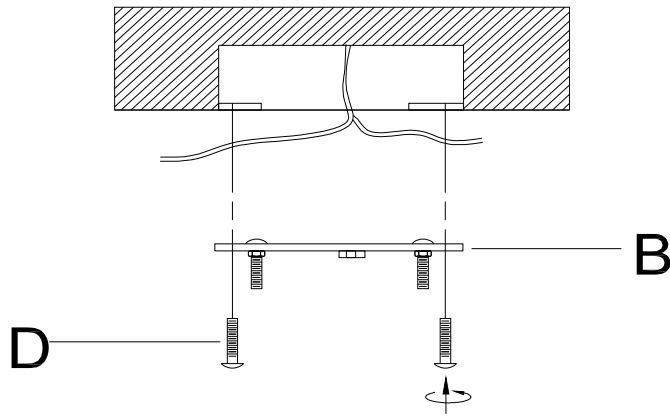
Part List and Hardware List

PIECE	DESCRIPTION	PICTURE	QUANTITY	PIECE	DESCRIPTION	PICTURE	QUANTITY	PIECE	DESCRIPTION	PICTURE	QUANTITY
A	Wire		x3	G	Fixture Body		x1	M	Iron Shade		x1
B	Mounting Bar		x1	H	Lock Knobs		x2	N	Nex Nut		x1
C	Outlet Box Screws		x2	I	Bulb		x2	O	Cover		x1
D	Mounting Screws		x2	J	Rod		x1	P	Finial		x1
E	Nex Nut		x2	K	Cap		x1				
F	Ground Screw		x1	L	Glass		x1				

PREPARATION

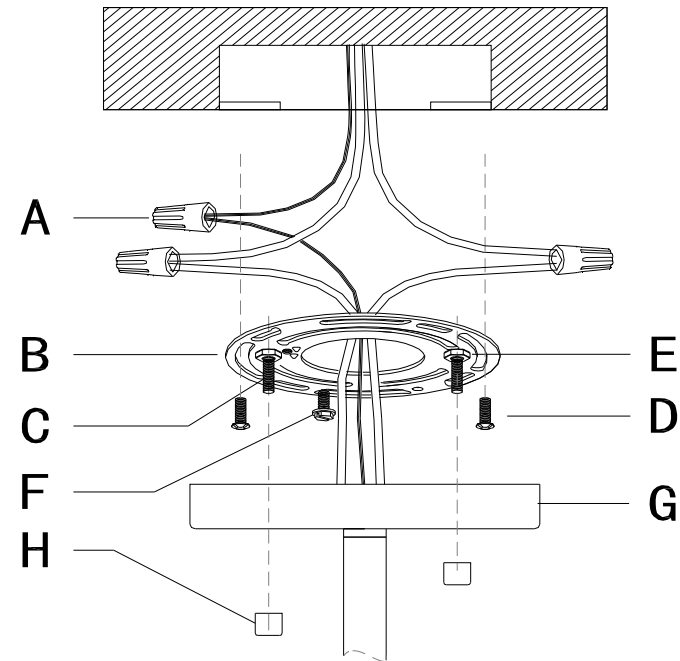
- * Before beginning assembly of product, make sure all parts are present. Compare parts with package contents list and hardware contents list.
- * If any part is missing or damaged, do not attempt to assemble the product.
- * Estimated Assembly Time: 20 minutes.
- * Tools Required for Assembly (not included): Screwdriver, Junction box
- * If you are having difficulty, our friendly Customer Care team is always here to help.

NOTE: PLEASE USE TYPE "A" BULB MAX 40-WATT OR LED BULB MAX 9-WATT, THERE ARE 2PCS LED 4-WATT BULB IN THE BOX



Step 1:

Attach the Mounting Plate (B) to the junction box using the Outlet Box Screw (D) on the ceiling wall.

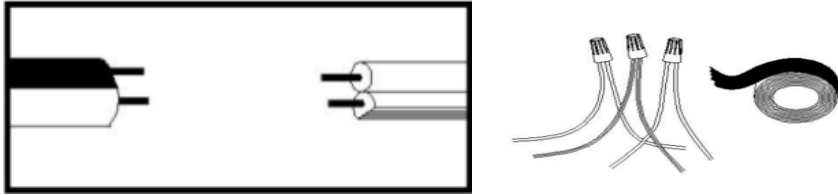


Step 2:

Using the Wire Nut (A) connected the positive electrode and the negative pole of the fixture body carefully into the positive electrode and the negative pole in junction box.

PREPARATION

- * Before beginning assembly of product, make sure all parts are present. Compare parts with package contents list and hardware contents list.
- * If any part is missing or damaged, do not attempt to assemble the product.
- * Estimated Assembly Time: 20 minutes.
- * Tools Required for Assembly (not included): Screwdriver, Junction box
- * If you are having difficulty, our friendly Customer Care team is always here to help.



Step 3

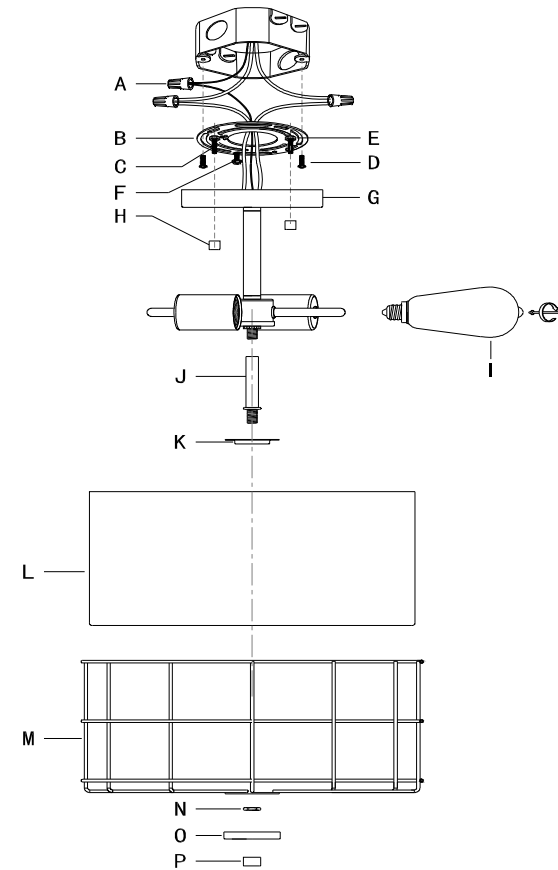
Make wire connections, with wire nut(C)

Connect fixture neutral wire (ribbed) to the outlet box neutral wire (usually white) using a wire nut. Connect fixture hot wire (smooth with markings) to the outlet box hot wire (usually black) using a wire nut.

CAUTION: Do not reverse the hot and neutral connections

Grounding Instructions:

Wrap ground wire from outlet box around green ground screw(Q) on mounting bracket, no less than 2" from wire end. Tighten ground screw. If fixture is supplied with a ground wire, connect to outlet ground wire with a wire nut.



Step 4

Attach the Canopy (G) through Mounting Screw (C), secure Canopy (G) with Finial (H) to Mounting Screw (C).

Lock rod (J) on the fixture body (G) tooth section below Then the cap (K) on the rod (J) and then on the glass lampshade (L) set on the rod (J), and then iron shade (M) set on the glass (L) with a nex nut (N) fixed on the fixture body (G), finally cover the cover (O) finials (P) fixed as shown.

Lock the bulb (I) into the socket.