

KOHLER®

Portrait® 60" x 32" drop-in whirlpool w/ heater K-1014-H2

Features

- 8 hydromassage jets can be individually adjusted for water flow and direction.
- Variable-speed pump for adjusting hydromassage intensity.
- Built-in heater.
- Electronic keypad.
- Integral lumbar support and armrests offer extra comfort while bathing.
- Coordinates with other products in the Portrait collection.

Material

- Acrylic.

Hydrotherapy

- Whirlpool.

Installation

- Drop-in.

Required Products/Accessories

K-9698 Flexjet® Whirlpool Trim Kit

Recommended Products/Accessories

K-7161-AF 1-1/2" adjustable pop-up drain above- or through-floor
K-7213 27" Cable Bath Drain
K-7214 27" Cable Bath Drain
K-9497 2-1/2" Keypad Trim
K-24916 Wireless Music Kit
K-23726 Drain treatment
K-23732 Tub & shower cleaner



Codes/Standards

ASME A112.19.7/CSA B45.10
CSA B45.5/IAPMO Z124
ASTM E162
ASTM E662
UL 1795
CSA C22.2 No. 218.2

KOHLER® Plastic Baths and Receptors Lifetime Limited Warranty
KOHLER® Hydrotherapy Components Five-Year Limited Warranty

See website for detailed warranty information.

DISCONTINUED This product has been discontinued.

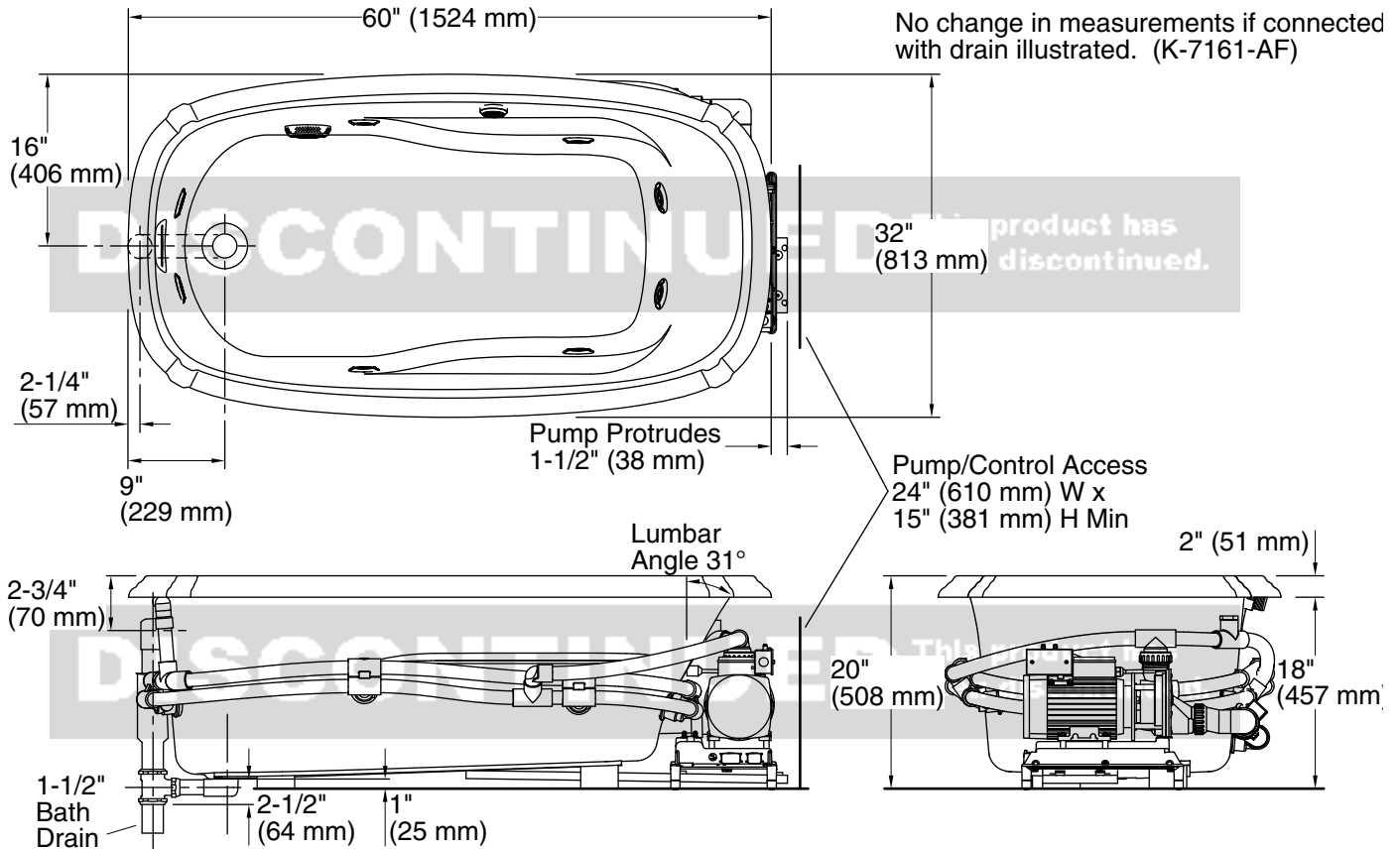
1-800-4KOHLER (1-800-456-4537)

Kohler Co. reserves the right to make revisions without notice to product specifications.

For the most current Specification Sheet, go to www.kohler.com.

8-7-2021 04:44 - US/CA

THE BOLD LOOK
OF **KOHLER®**



Required Electrical Service

One dedicated circuit required, protected with Class A Ground-Fault Circuit-Interrupter (GFCI). Outside North America, this device may be known as a Residual Current Device (RCD).

Pump, Heater: 220-240 V, 20 A, 50/60 Hz

Technical Information

All product dimensions are nominal.

Installation:	Drop-in
Drain location:	End
Basin area, bottom:	42" x 20" (1067 mm x 508 mm)
Basin area, top:	51" x 24" (1295 mm x 610 mm)
Weight:	110 lbs (49.9 kg)
Minimum floor load:	48 lbs/ft ² (234.4 kg/m ²)
Water depth:	14" (356 mm)
Water capacity:	60 gal (227.1 L)
Template:	Drop-in, 1022451-7, required, included
Electrical component rating:	Pump: 240 V, 11 A Heater: 220-240 V, 6.25 A, 50/60 Hz
Pump speed:	Variable

Notes

Measure your actual product for rough-in details.

Install this product according to the installation instructions.

The hot water supply should be 70% of the capacity of the bath or greater. Installations will vary.