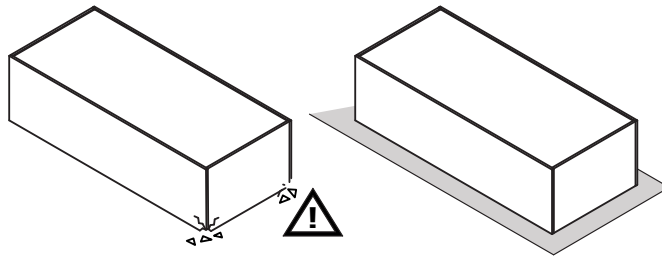
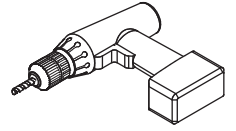
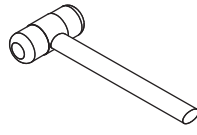
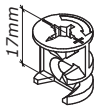


30mn



BU2822



T92
x8



T28
x8



H1
x8



V5
x4



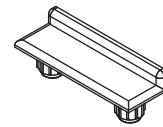
V13
x4



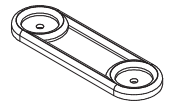
H14
x1



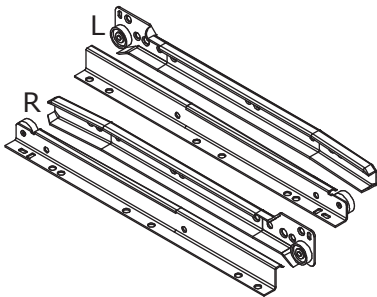
H15
x8



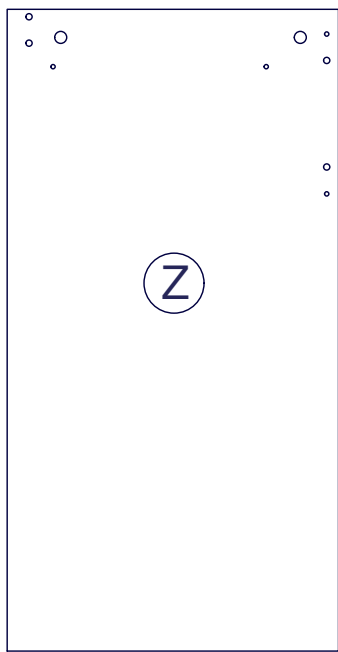
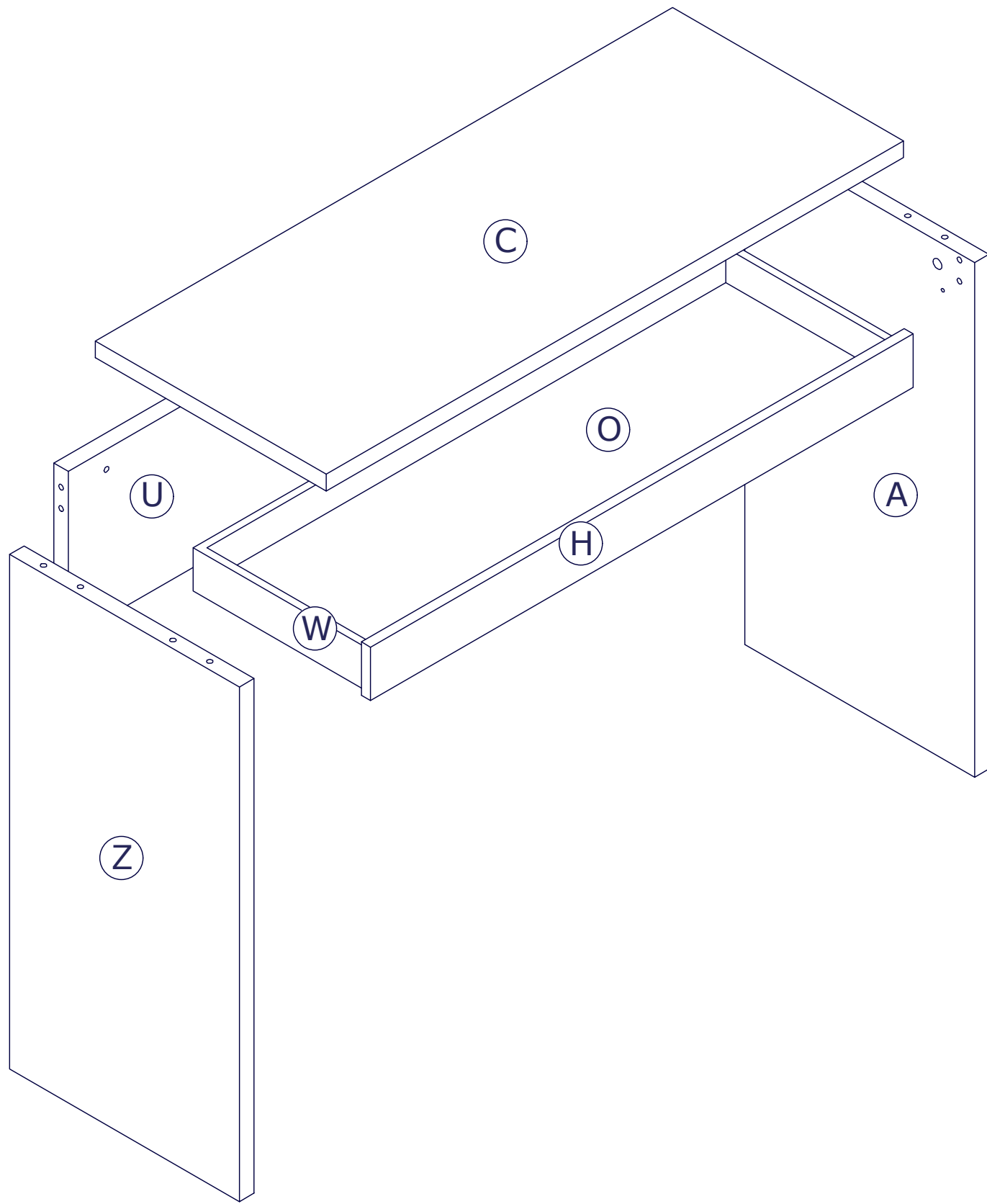
H114
x2



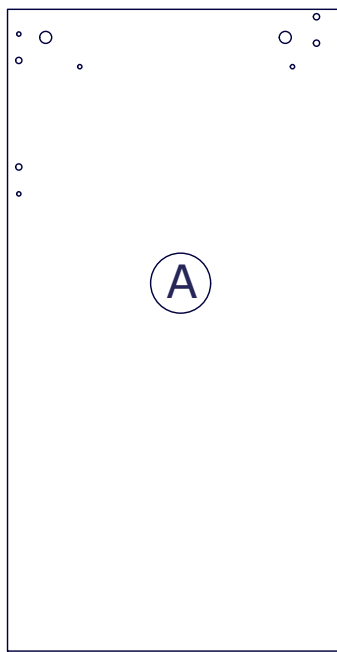
P16
x4



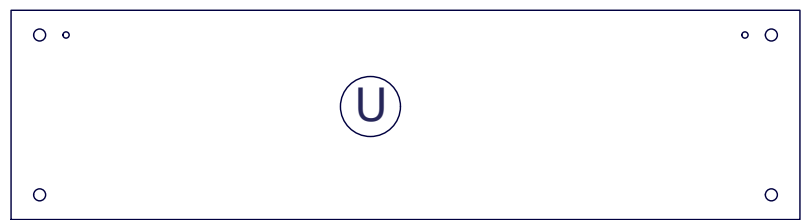
A11
x1



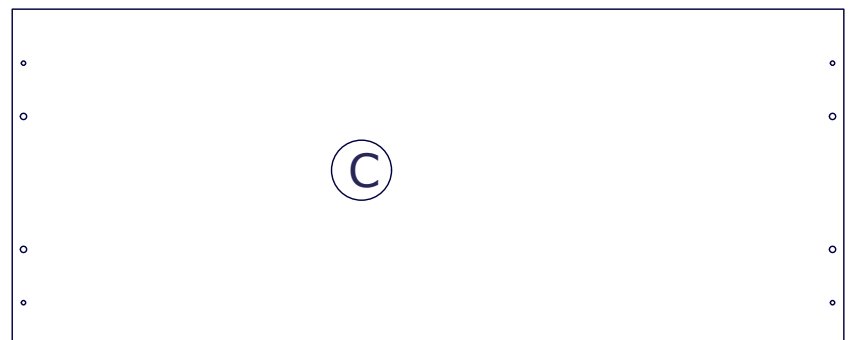
• **FI7538**
772x398x25mm



• **FI7536**
772x398x25mm



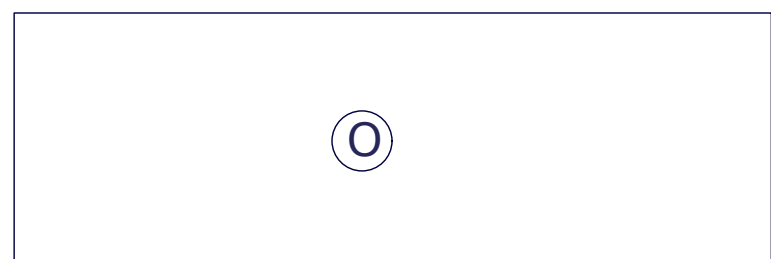
• **FS2712**
948x252x25mm



• **CA3079**
1000x400x25mm



• **CS2218**
940x80x16mm



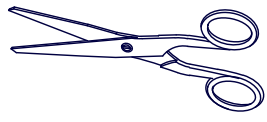
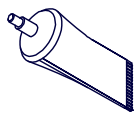
• **SH2494**
910x301x3mm



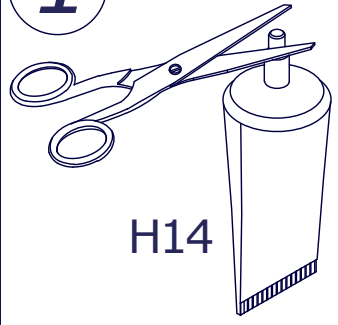
• **OF0269**
300x923x300mm H.65mm

1

H14 x 1

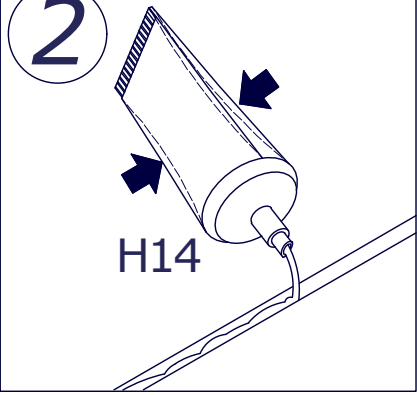


1

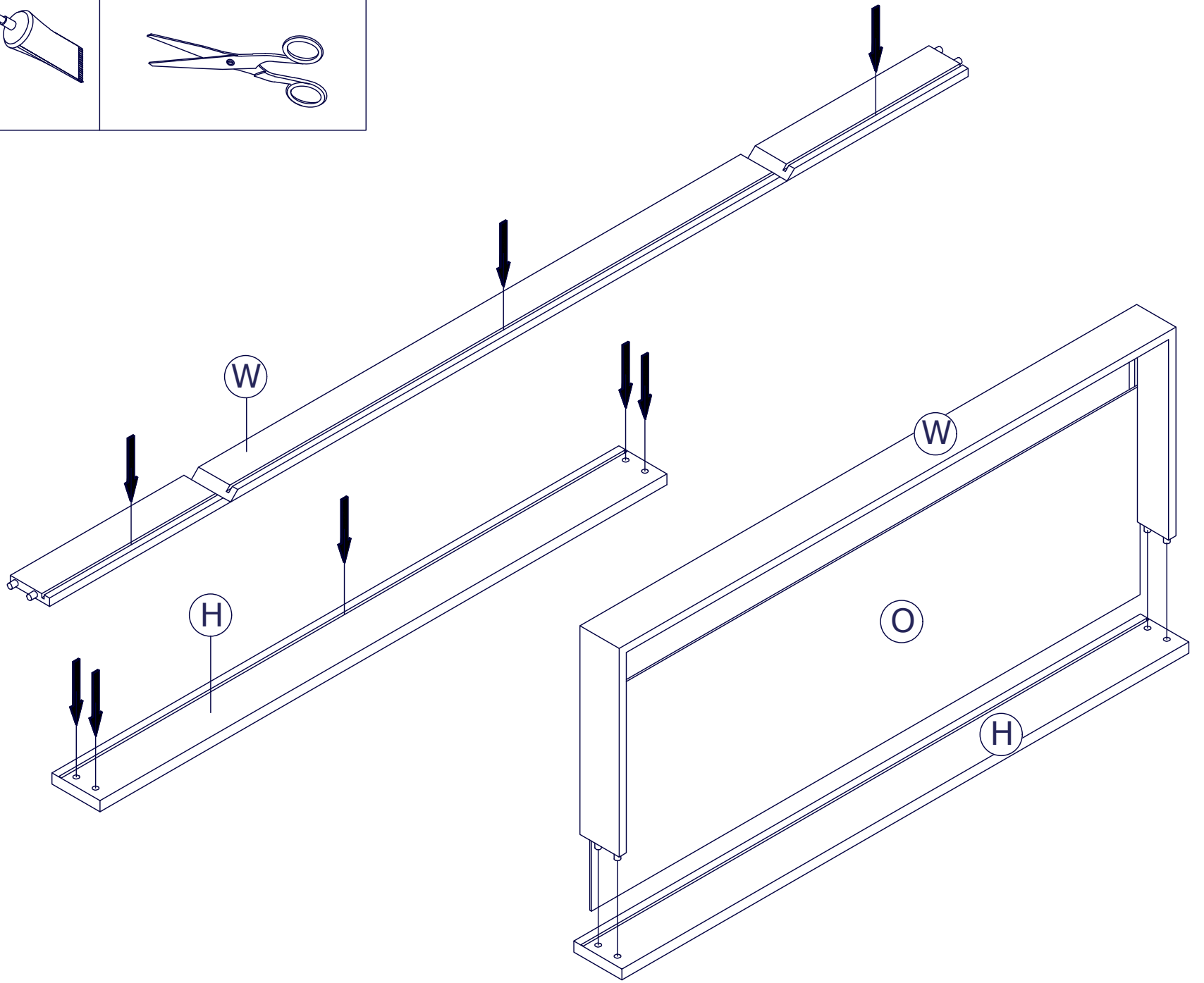


H14

2

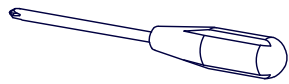
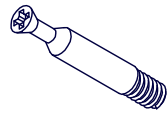


H14

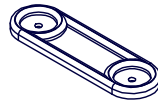


2

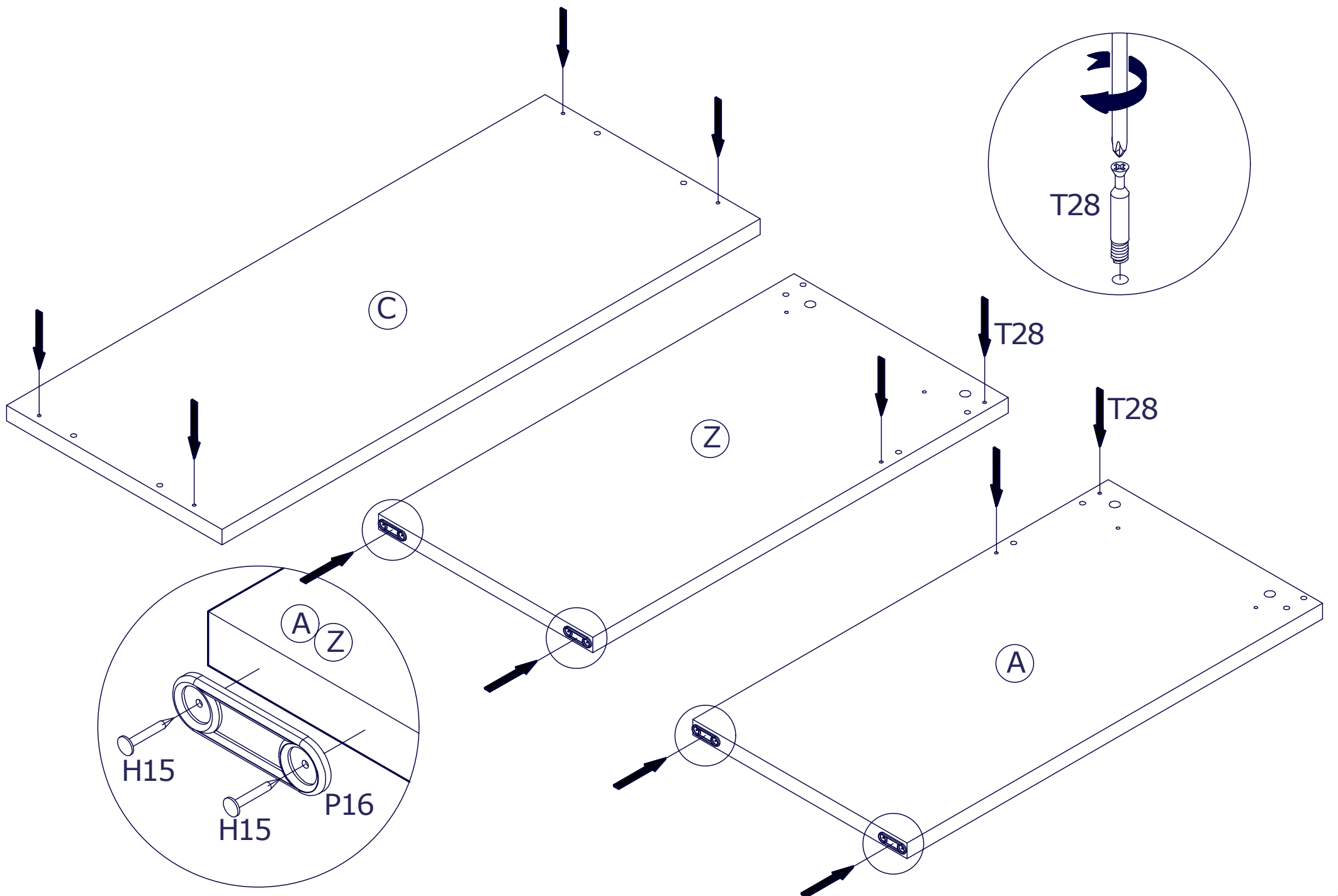
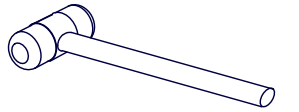
T28 x 8



P16 x 4

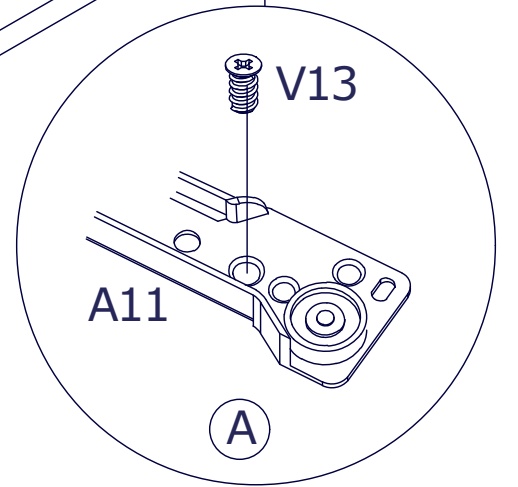
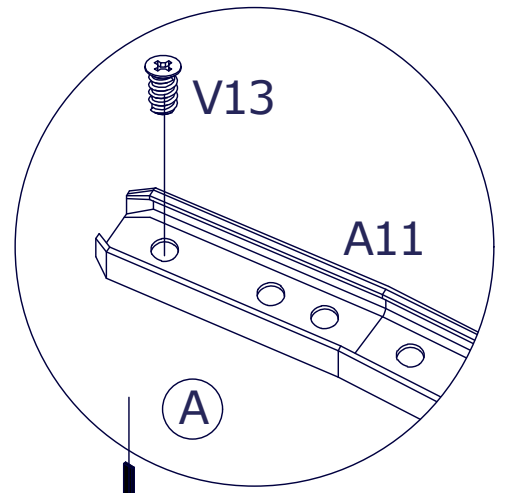
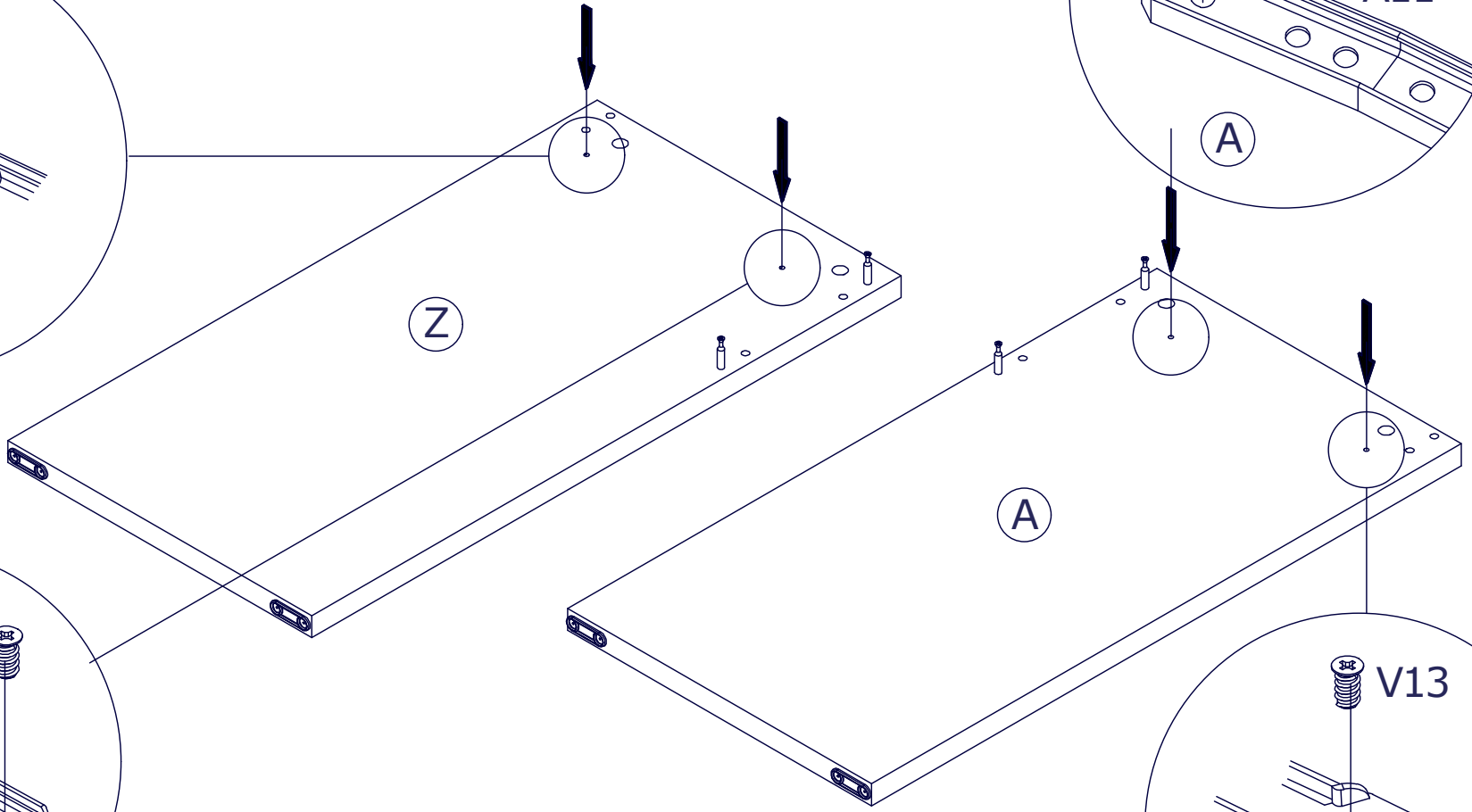
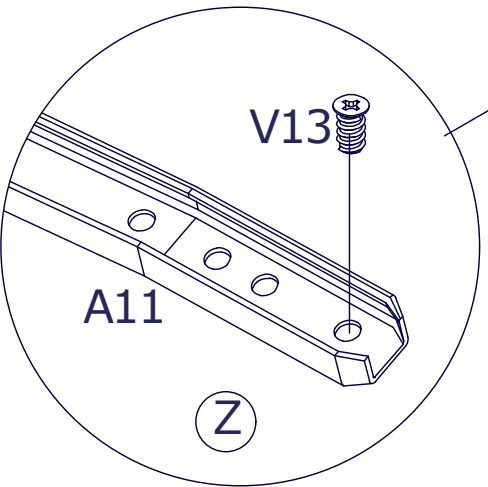
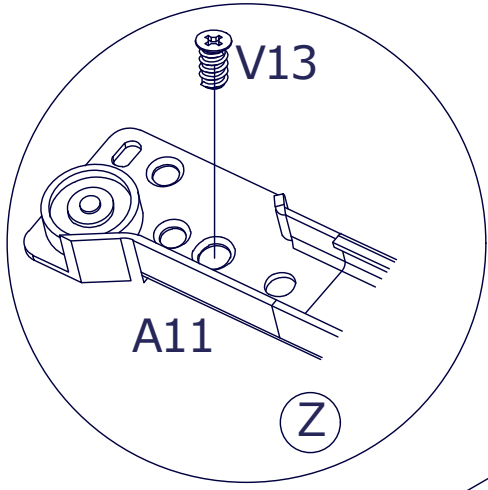
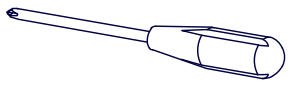


H15 x 8



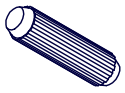
3

V13 x 4

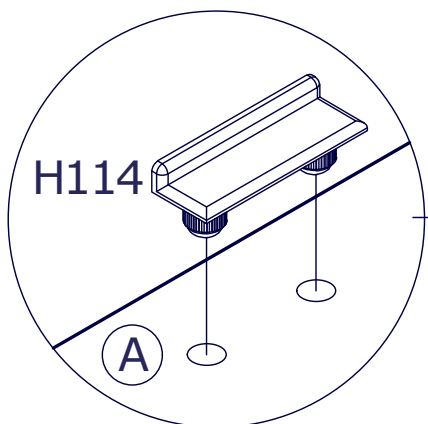
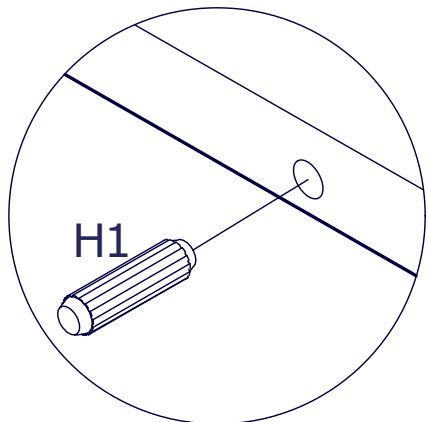
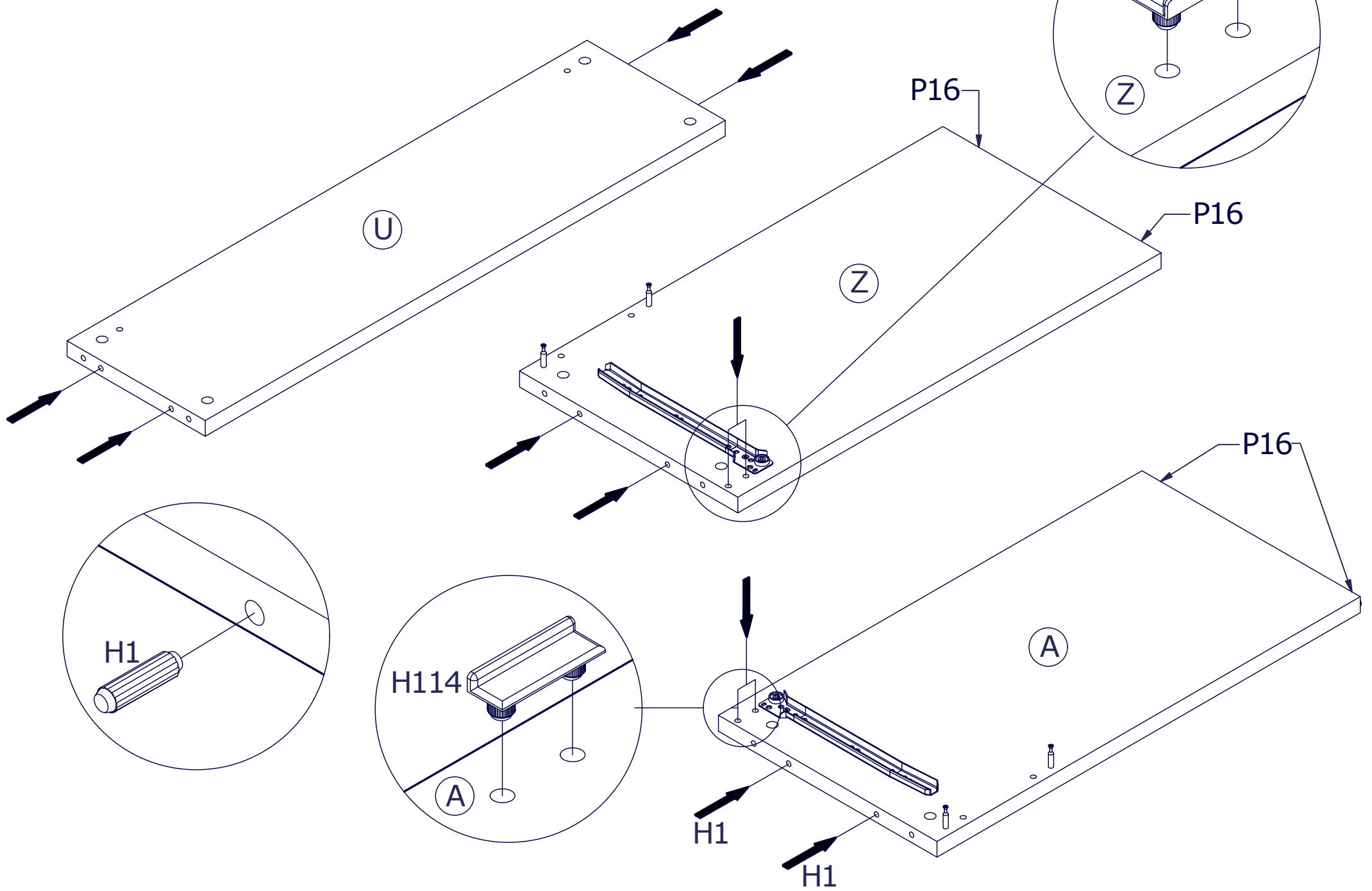
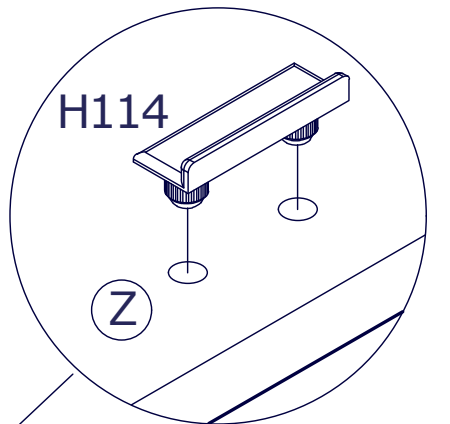
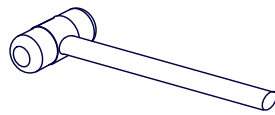
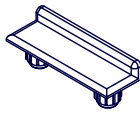


4

H1 x 8

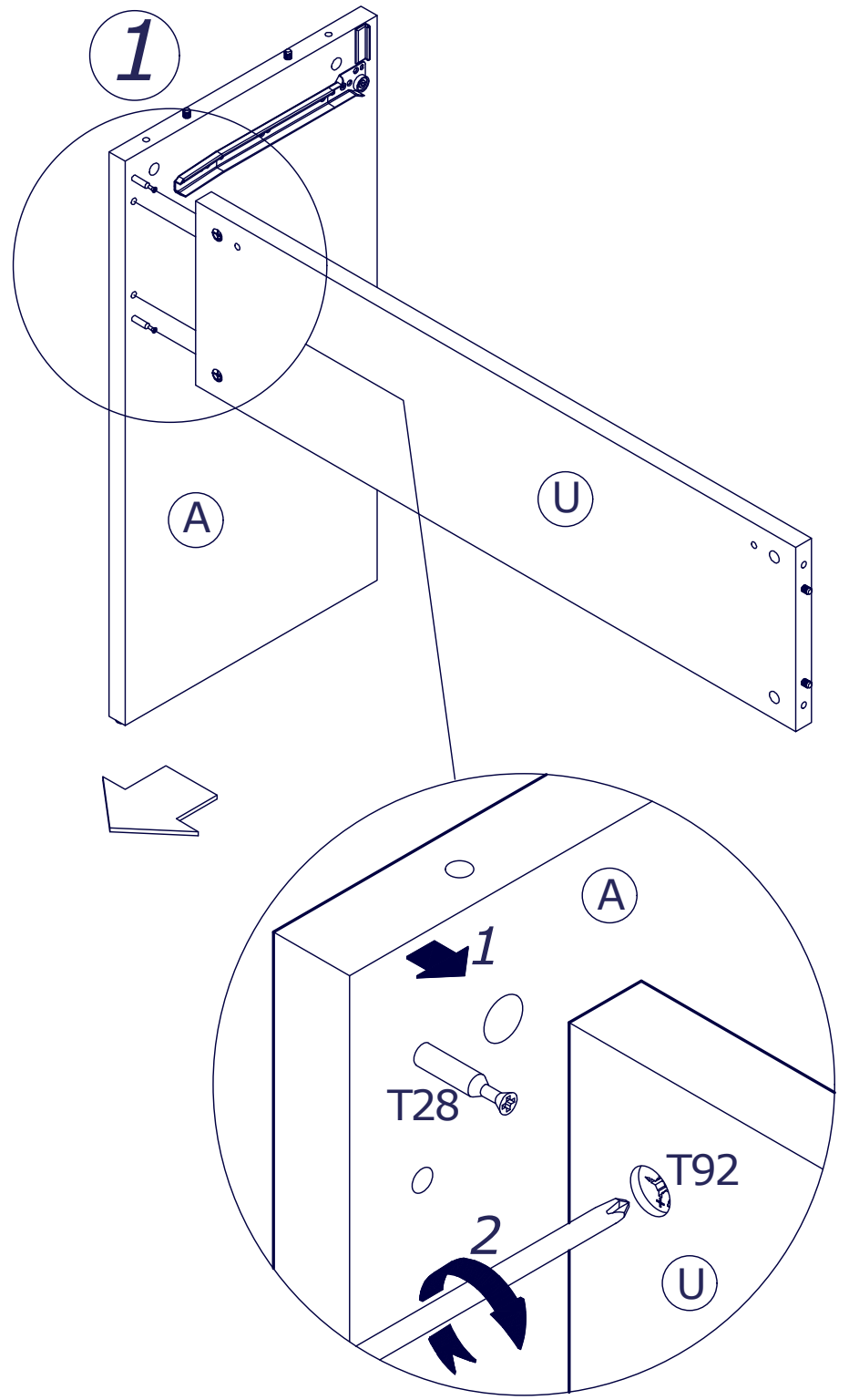
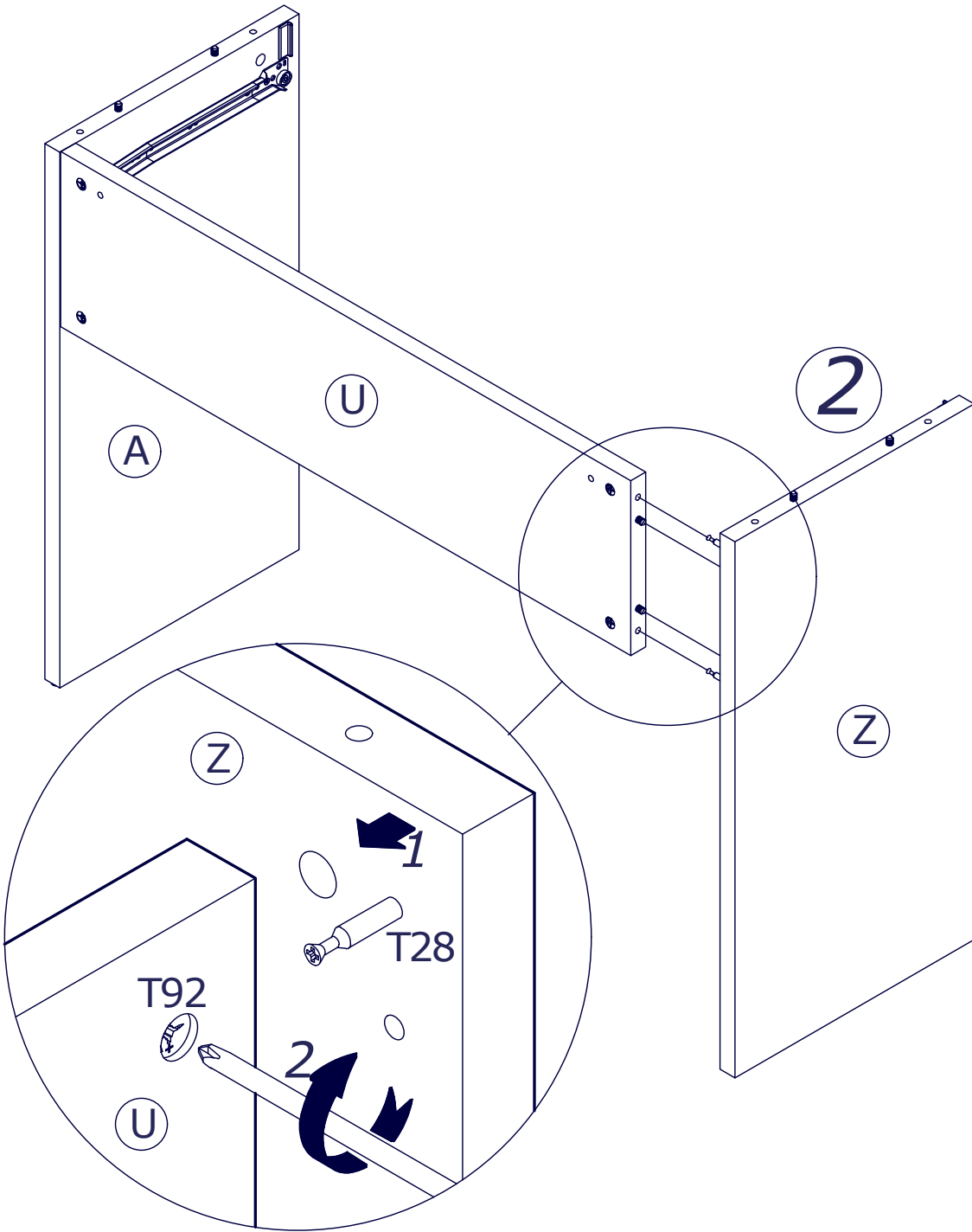
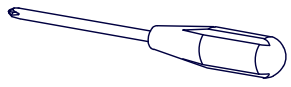


H114 x 2



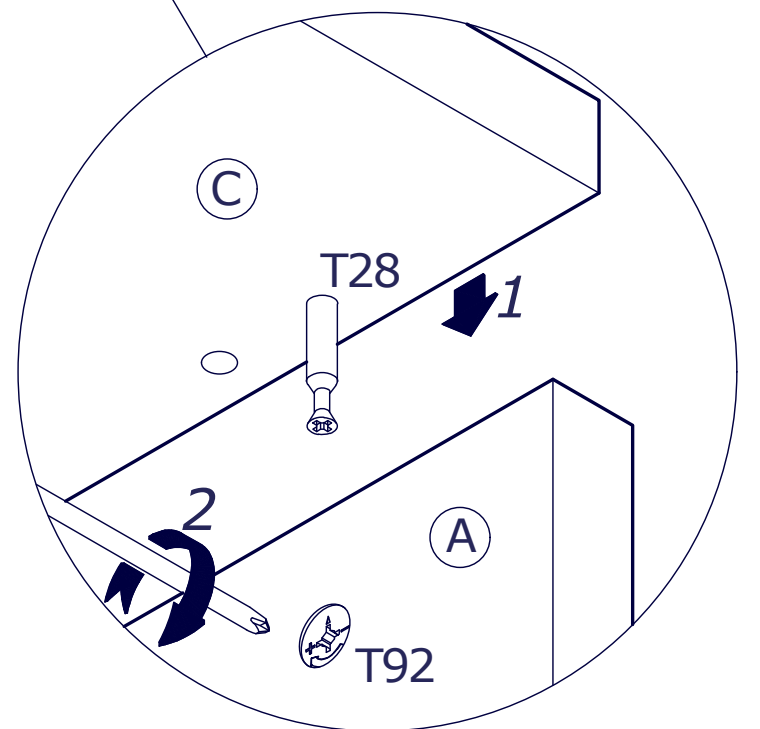
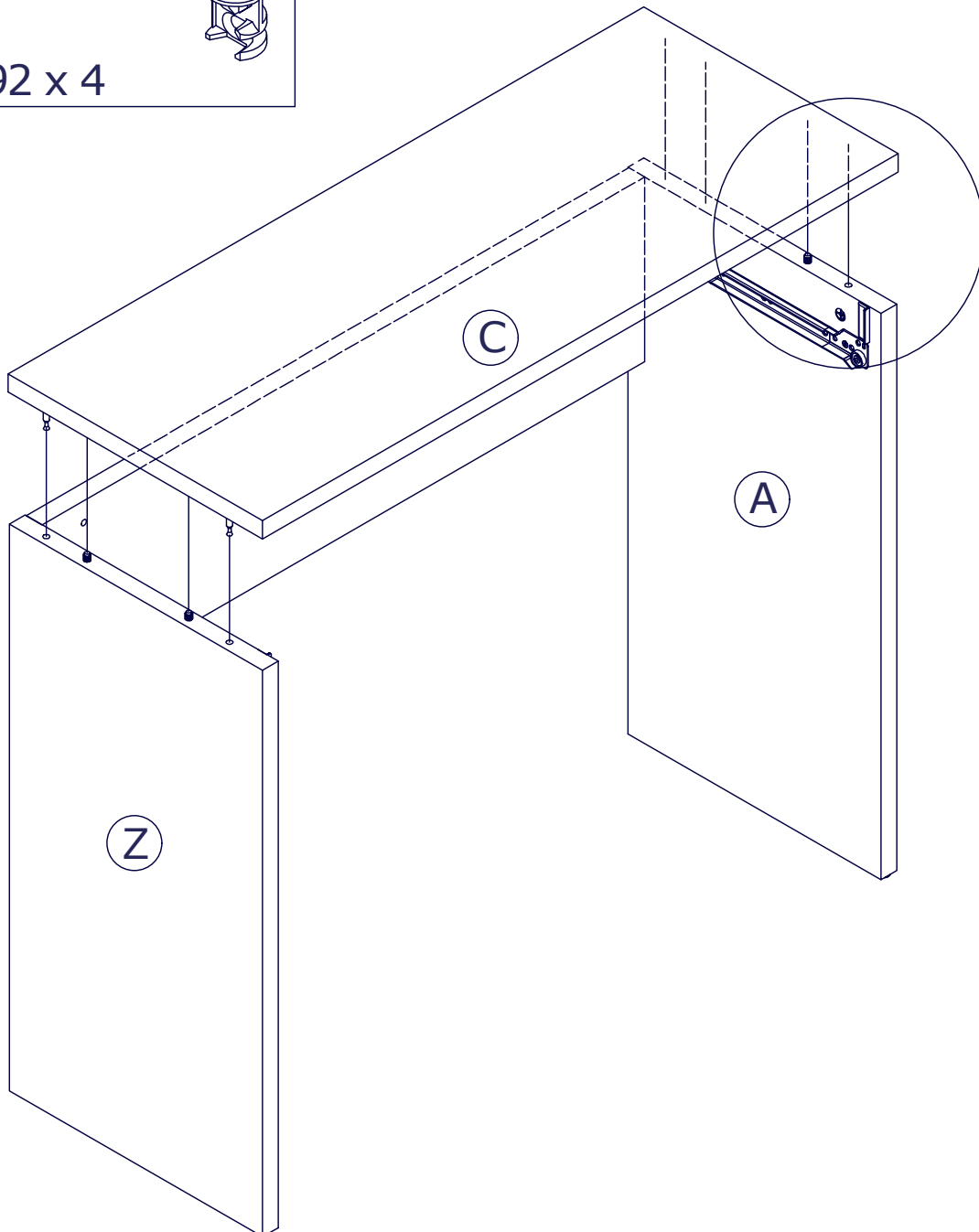
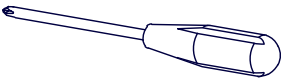
5

T92 x 4

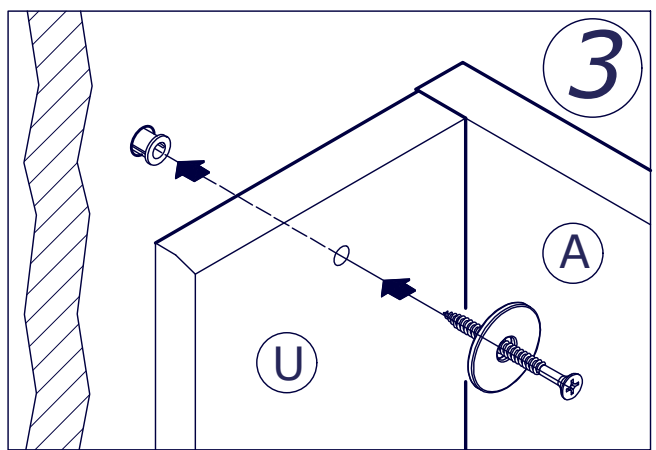
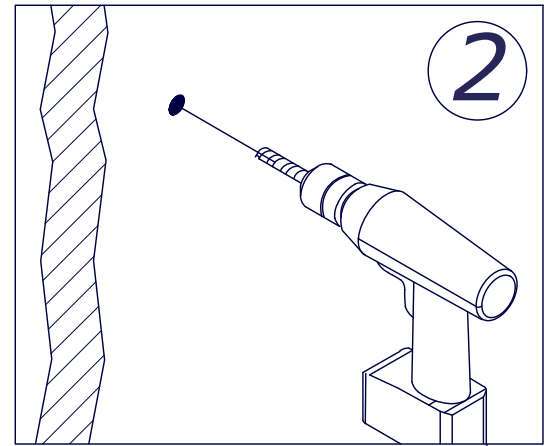
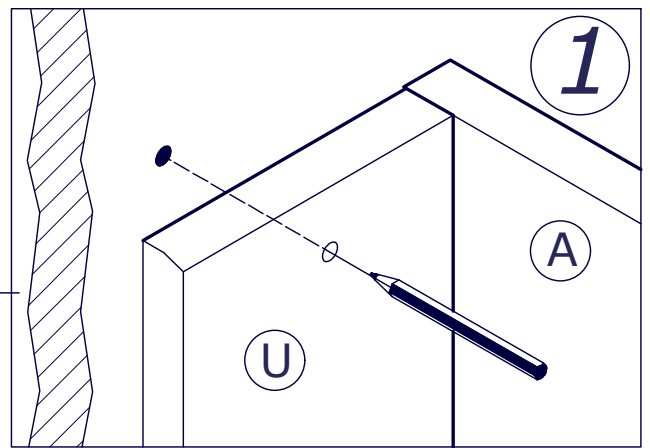
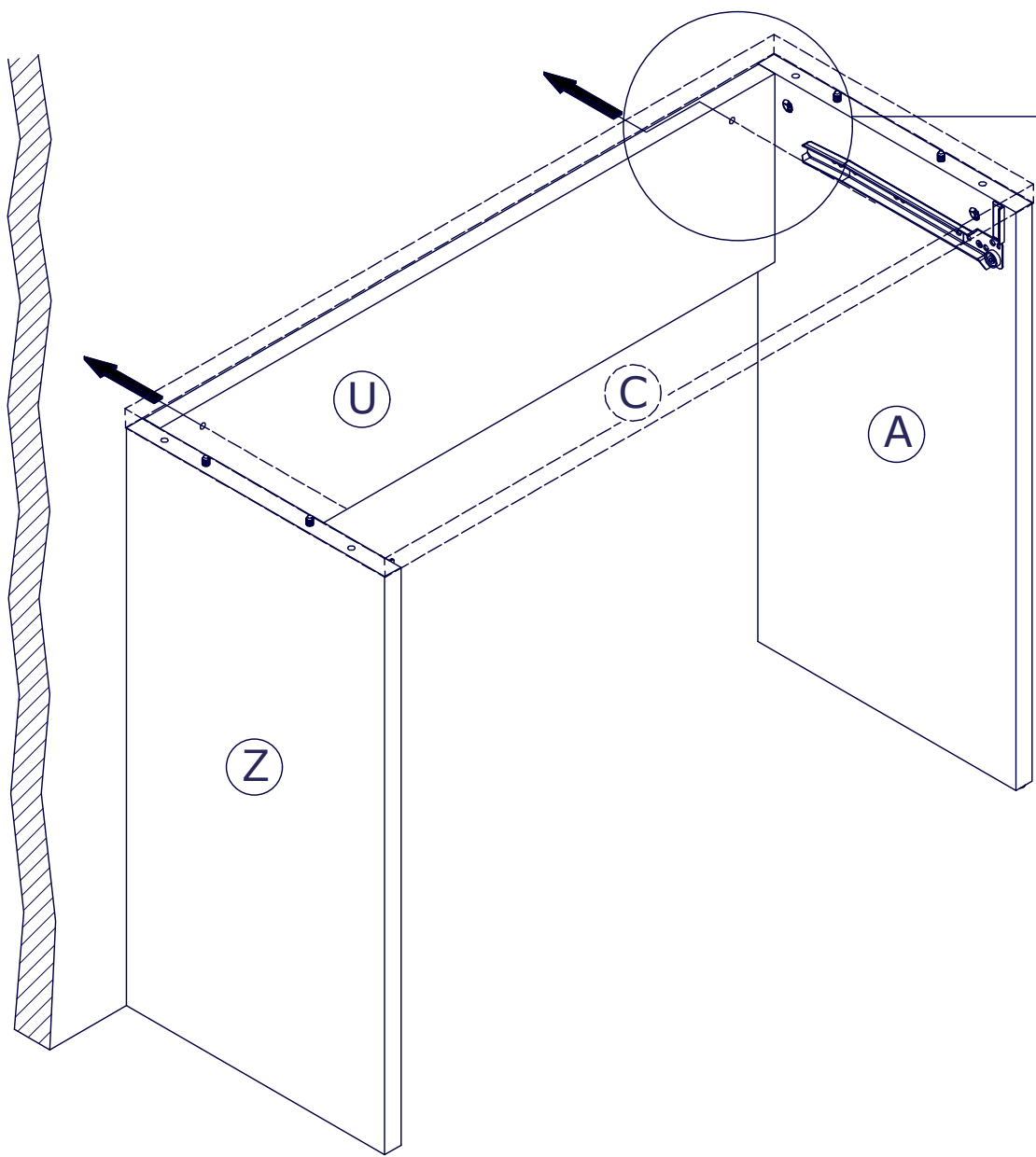
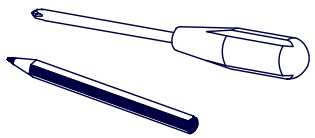
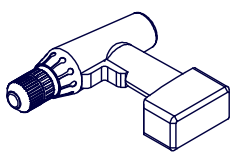


6

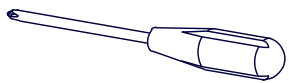
T92 x 4



7



8



V5 x 4

