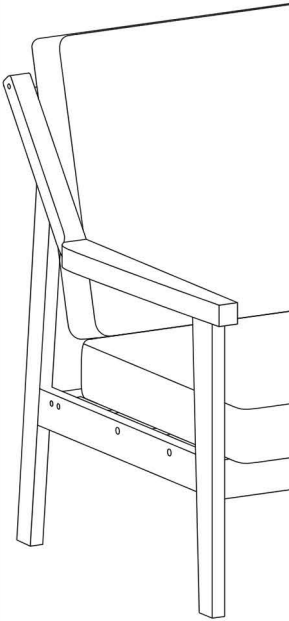


Owner Manual



WARRANTY

We strive to offer high quality product and we also try our best to satisfy each customer that order from us, no matter on products or services as needed. Each customer receives a record of their order, such as the order number or item receipt. For any items that are out of warranty period, you may still be able to purchase the replacement parts from our company if they are available.



MAINTENANCE AND WARNING

Please read the manual thoroughly
before you start installing.

Please keep the product away from
sharp object.

Packaging and small parts may have
chocking hazard, please keep them away
from children and pets.

Please clean the product according to each
clean code, check the product description
for more information.

Please keep the product away from
fire.

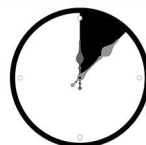
If you have any other questions, please
contact us, we will be glad to help you out.

If the product is placed under direct
sunlight, the pattern or color might fade
away overtime.

Check the product periodically to make
sure everything is secured and tightened.

Always use proper tools for installation.

Do not jump on the product.



Around 25 min

PRODUCT DESCRIPTION

Solid teak wood construction ensures reliable strength and long-term durability, supporting up to 400 lbs per chair.

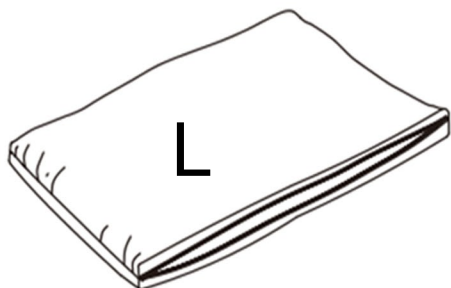
Features water-resistant cotton-blend fabric, which resists moisture, dirt, and is easy to maintain for everyday use.

Stylish cut-out armrest design paired with warm natural woodgrain enhances outdoor aesthetics.

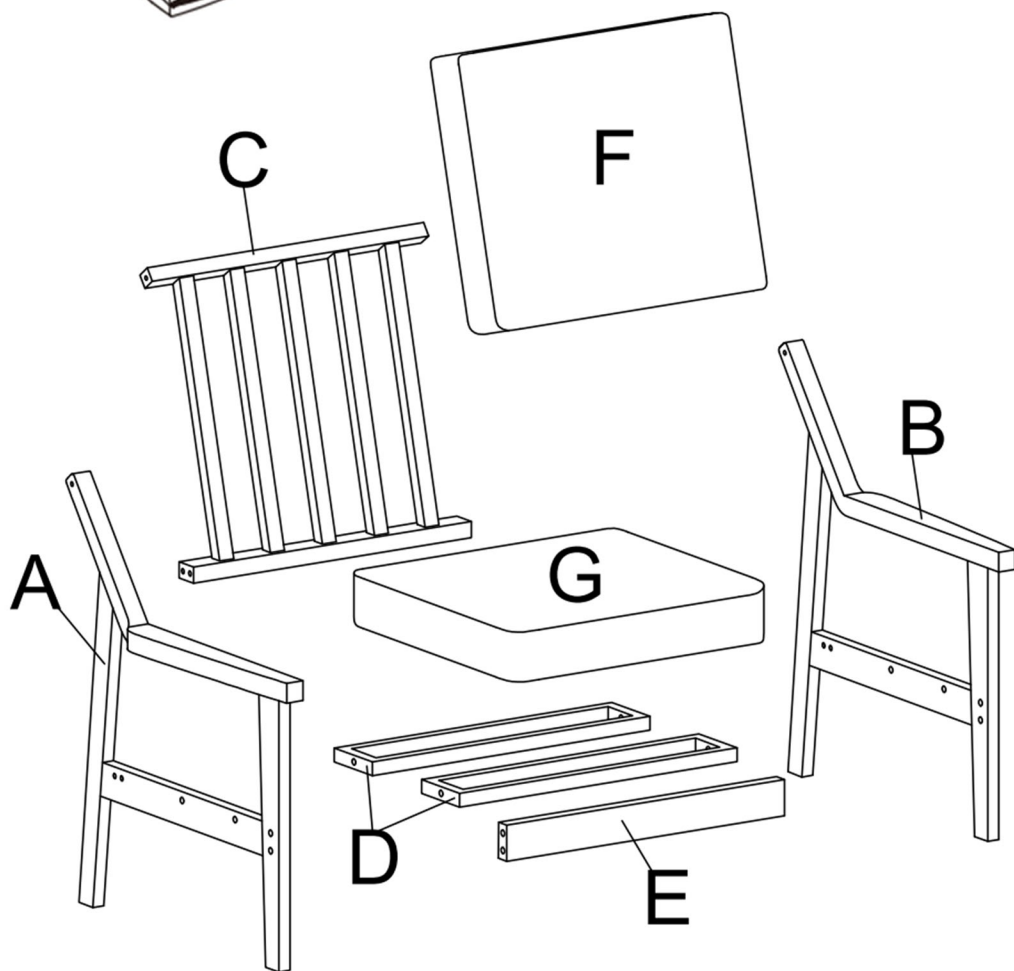
Spacious seating and ergonomic backrest offer ample comfort for lounging and entertaining.

Foam and synthetic fiber-filled cushions provide plush, supportive seating for extended outdoor enjoyment.

EXPLODED VIEW

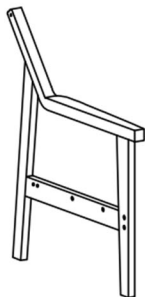


The product's left and right are determined by sitting posture



PARTS

A*1



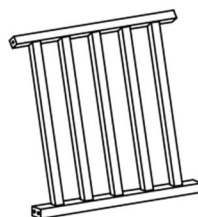
Left arm

B*1



Right arm

C*1



Back frame

D*2



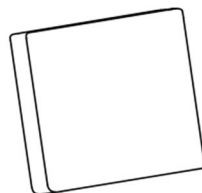
Seat frame

E*1



Front rail

F*1



Back cushion

G*1



Seat cushion

L*1



Seat cushion cover

HARDWARE

TOOL LIST

NOTE: Designated with (★) We provide additional spare parts in the hardware package

①*4



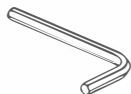
M6*45mm
Bolts

②*10



★ M6*50mm
Bolts

③*1



Allen key

④*10



★ Vertical nut

⑤*14



★ Black hole
cover

⑥*14

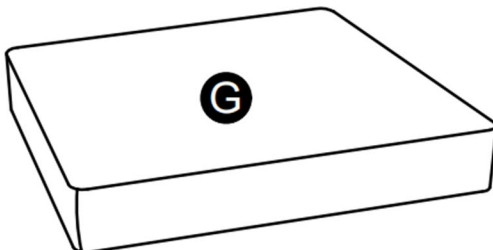
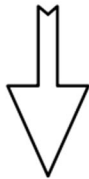
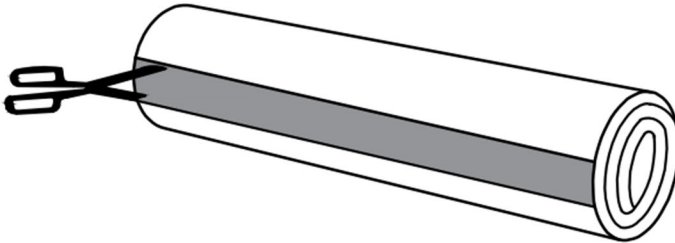
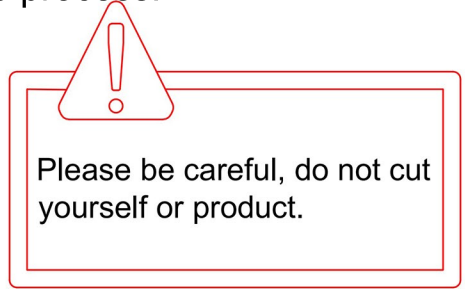


★ Ø6*14mm
Flat washer

Please make sure all hardware & packing material fitting the list. Especially some small accessories may be missing during transportation. Please contact us if you have any question.

step 1 ---Cut the air compression bags

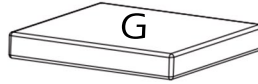
After taking out the Seat cushions (G) from the air compression bags, please allow them to recover for a period of time. It may take up to **48** hours to fully recover. You can gently slap them to speed up the process.



step 2 ---Put on the cushion cover

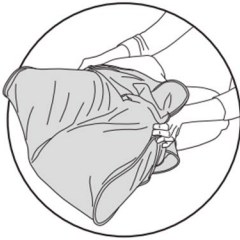
How to Put on the Cushion Cover

1



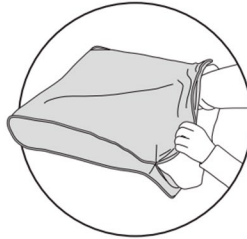
1. Take the cushion covers and inners out of the carton.

2



2. Fold the inner in half, pushing the sides together, then begin to slide the cover onto it.

3



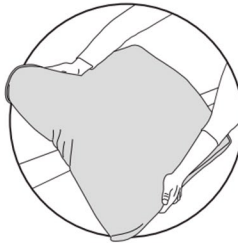
3. Align both far corners, then gently compress insert while fitting cover around it.

4



4. To avoid a stuck zipper, please pull the fabric away from the zipper before moving forward.

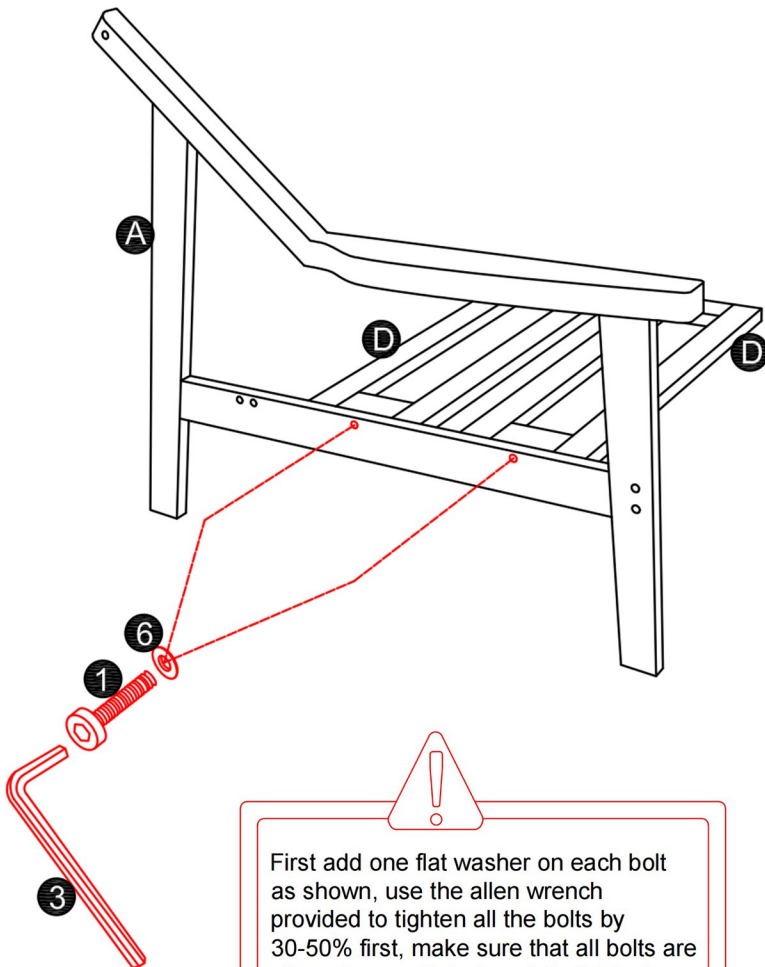
5



5. When all done, please pat the cushion or give it a little shake to make it more flat.

step 3 ---Install the Seat frame (D)

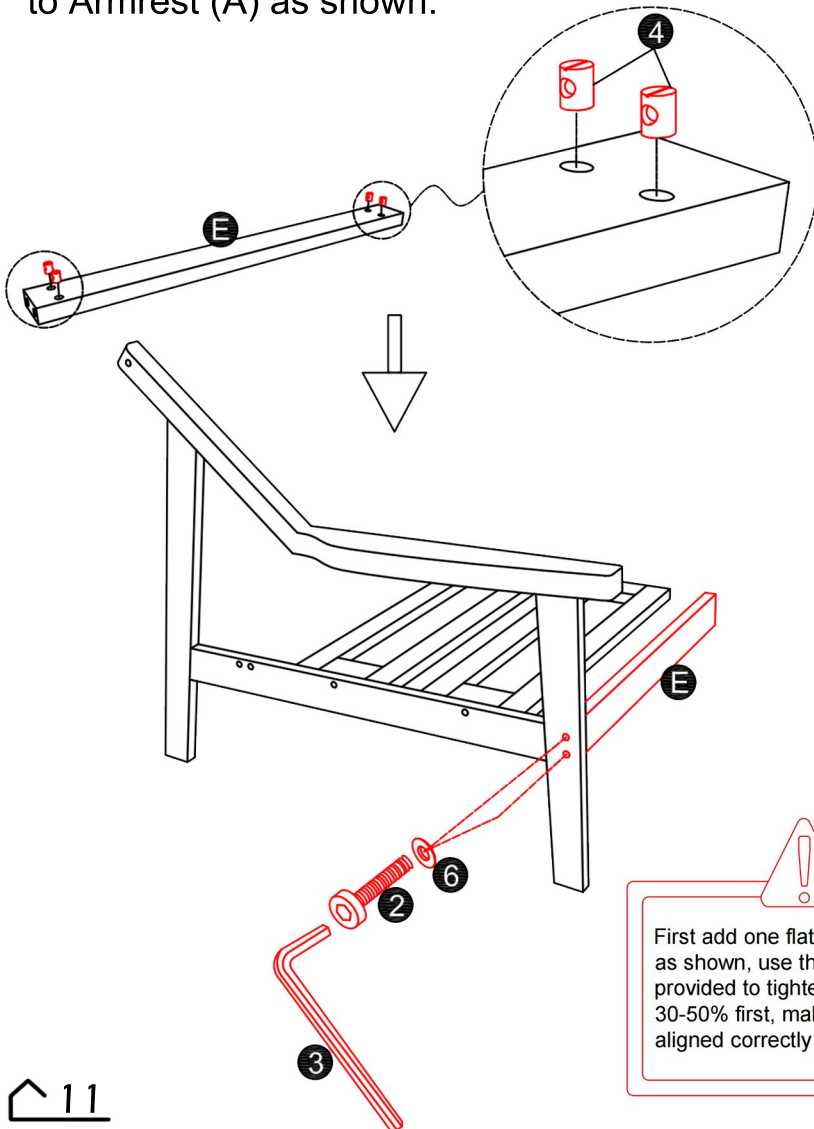
Align Seat Frame (D) with the Right Armrest (A). Use Screws (1) and flat washer (6) to attach from the inside, tightening with Allen Wrench (3) provided.



First add one flat washer on each bolt as shown, use the allen wrench provided to tighten all the bolts by 30-50% first, make sure that all bolts are aligned correctly before fully tightening.

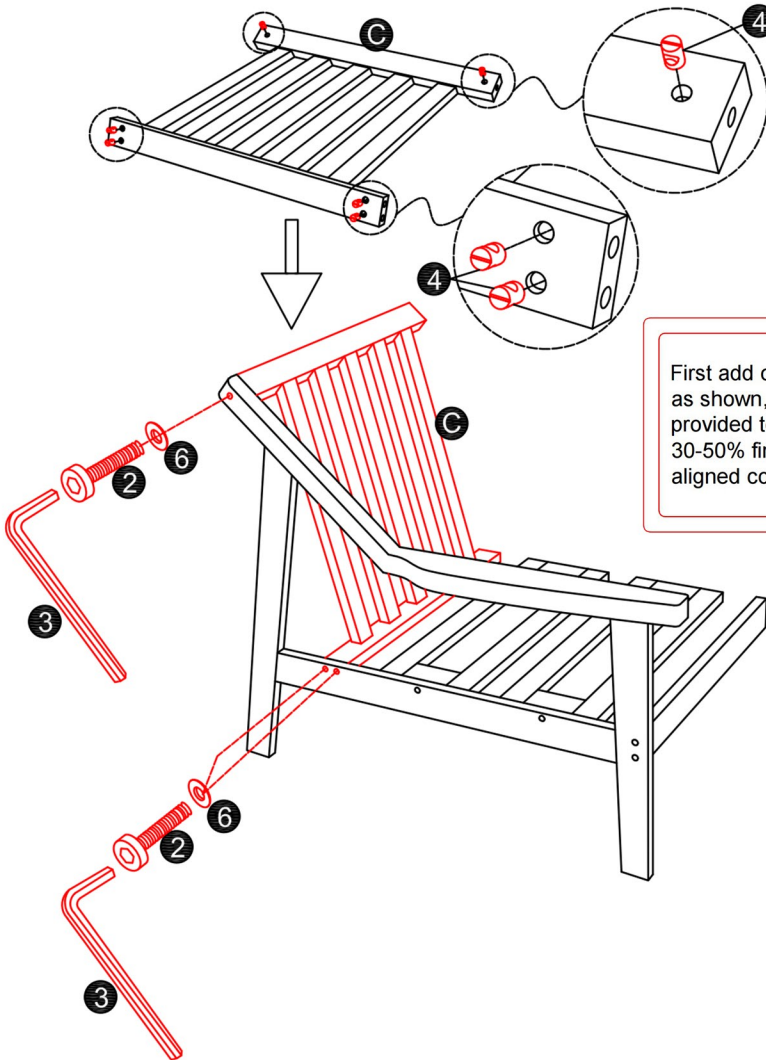
step 4 ---Install the Support bar (E)

Insert Vertical Nuts (4) into the designated holes of each support bar (E) as shown. Make sure the holes are aligned with the screw holes on the sides. Use Screws (2) & flat washer (6) and Allen Wrench (3) provided to attach the bars to Armrest (A) as shown.



step 5 ---Install the Backrest (C)

Insert Vertical Nuts (4) into the designated holes of each back frame (C) as shown. Make sure the holes are aligned with the screw holes on the sides. Align the Backrest Frame (C) with the holes on armrest as shown. Secure with Screws (2) & flat washer (6) on both sides and tighten firmly as shown.

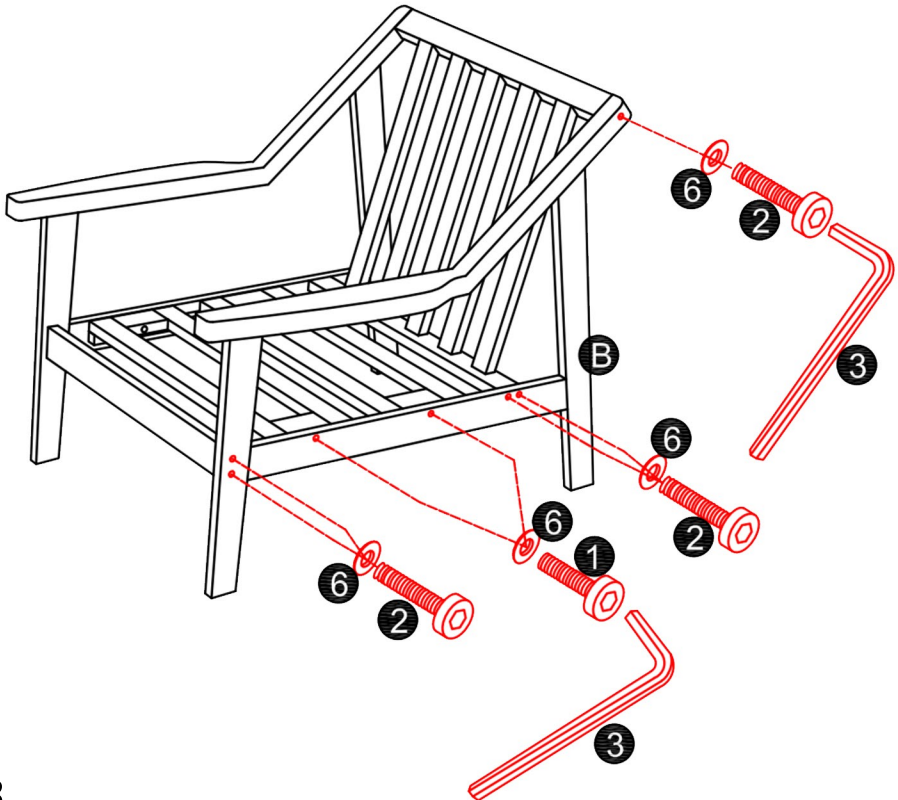


step 6 ---Install the Left Armrest (B)

Position Left Armrest (B) over connection points. Tighten all Screws (2) & flat washer (6) on armrest to back frame and seat frame as shown.

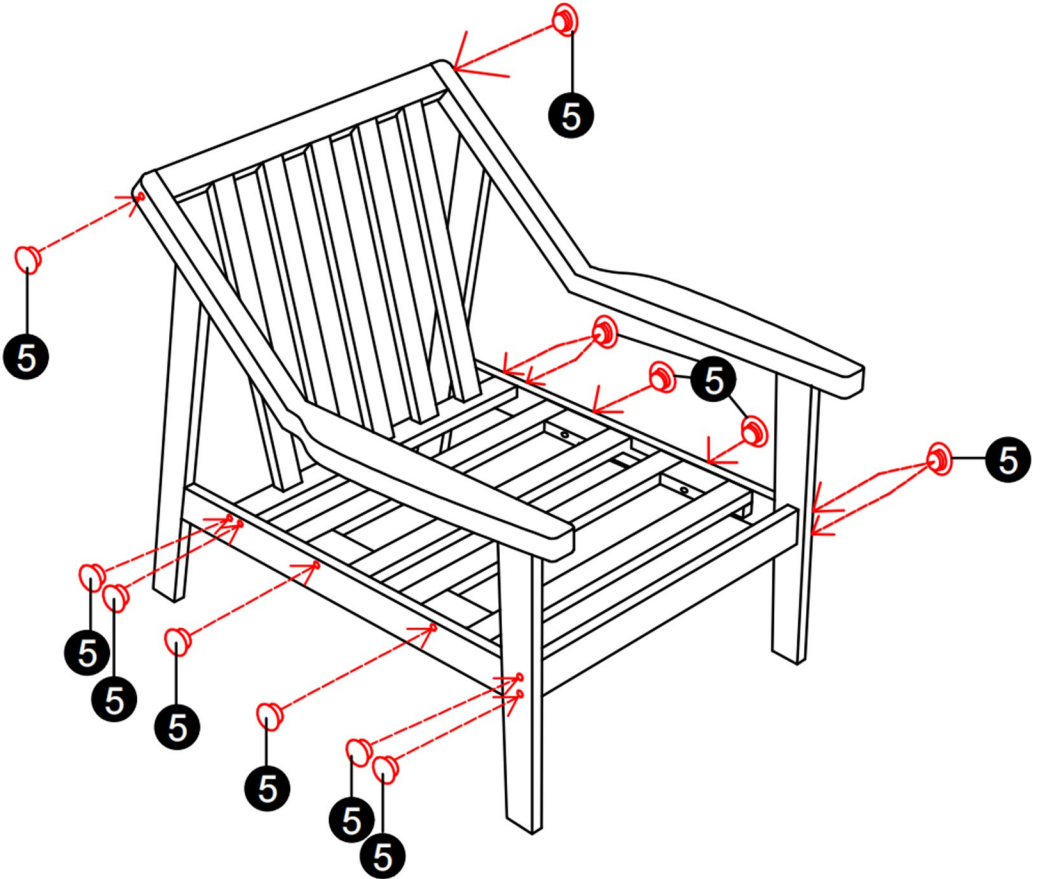


First add one flat washer on each bolt as shown, use the allen wrench provided to tighten all the bolts by 30-50% first, make sure that all bolts are aligned correctly before fully tightening.



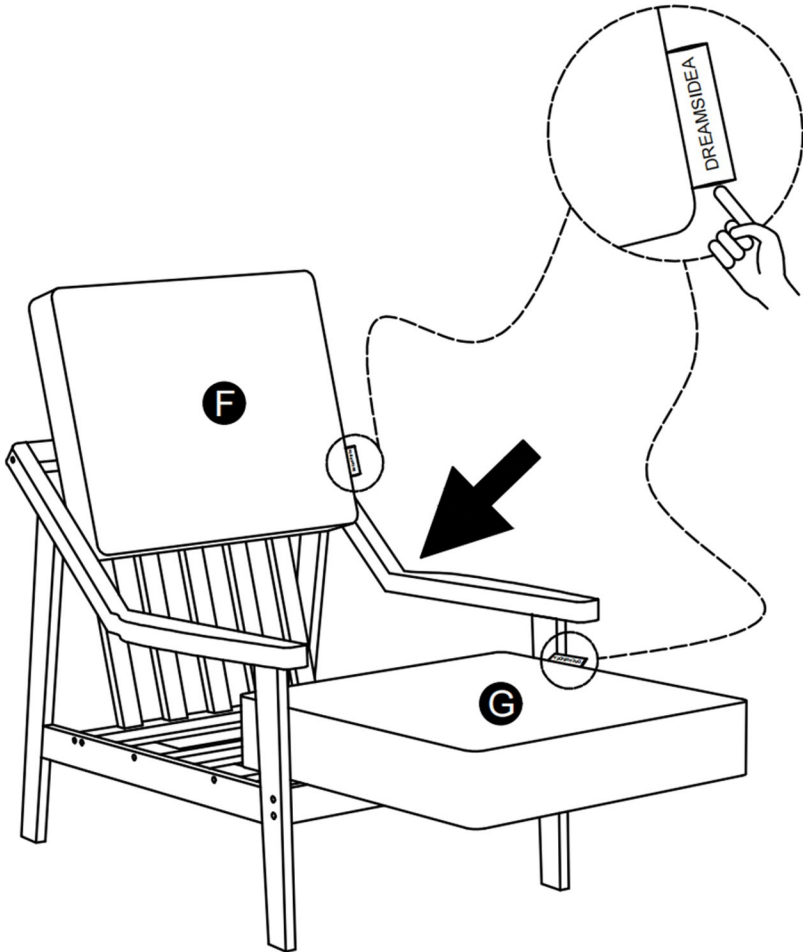
step 7 ---Install the Plastic Caps (5)

Cover each screw hole with Plastic Caps (5). Press down firmly until flush with the surface.



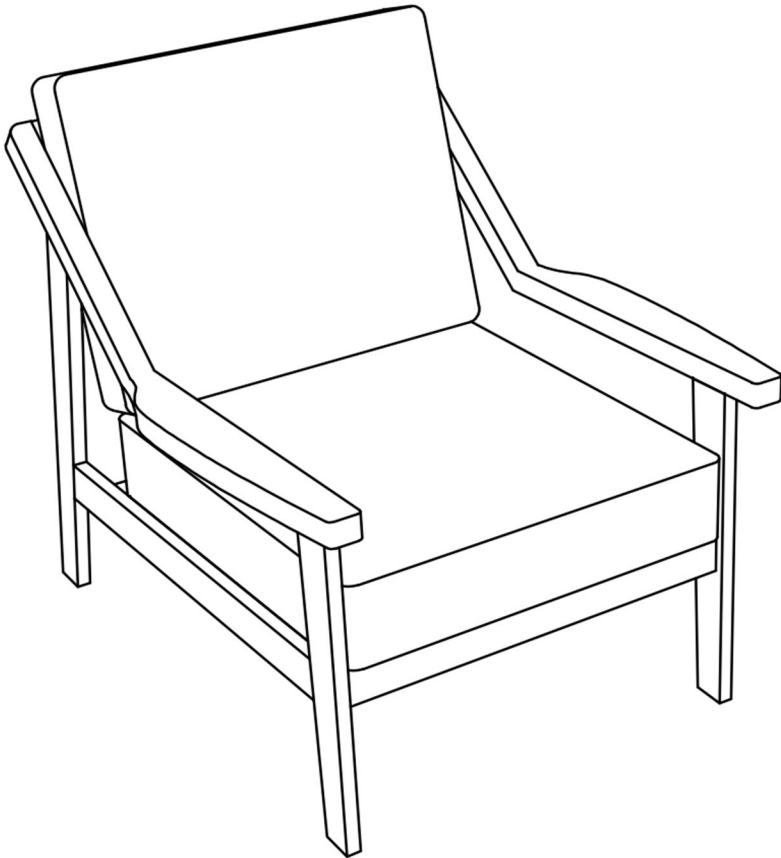
step 8 ---Place the Seat cushion (G) and Back cushion (F)

1. Place the Seat Cushion (G) with the tag side up.
2. Place the Back Cushion (F) against the backrest with the tag facing front as shown.



step 9 ---Assemble complete

Place the chair properly and tidy it up to make it look nice.
Assembly is complete. Thank you for choosing our product!
Please enjoy!



Come with multiple choices of upholsteries and colors.



