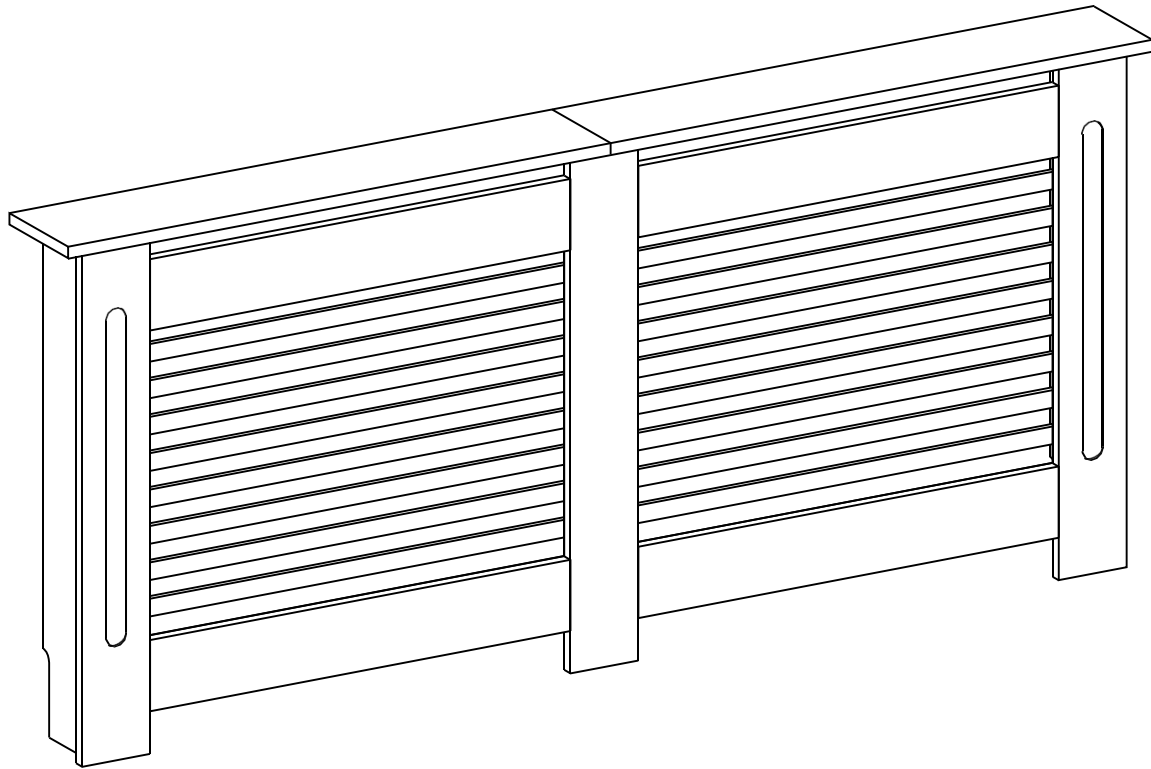


Radiator Cabinet Assembly Instructions



PLEASE READ this instructions carefully before assembly the product.

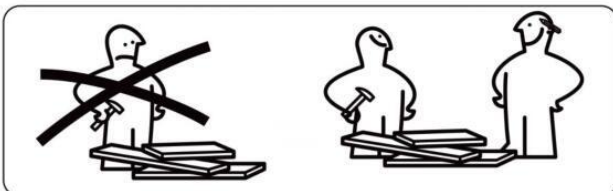
Please open the outer case carefully and confirm according to the instruction that all parts and hardware are complete before assembly.

If there is a shortage of parts or hardware or any questions, do not directly return or give a negative feedback, please contact us
Our professional after-sales service staff will give you a satisfactory answer within 24 hours.

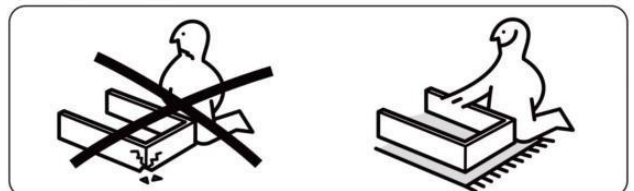
Return:

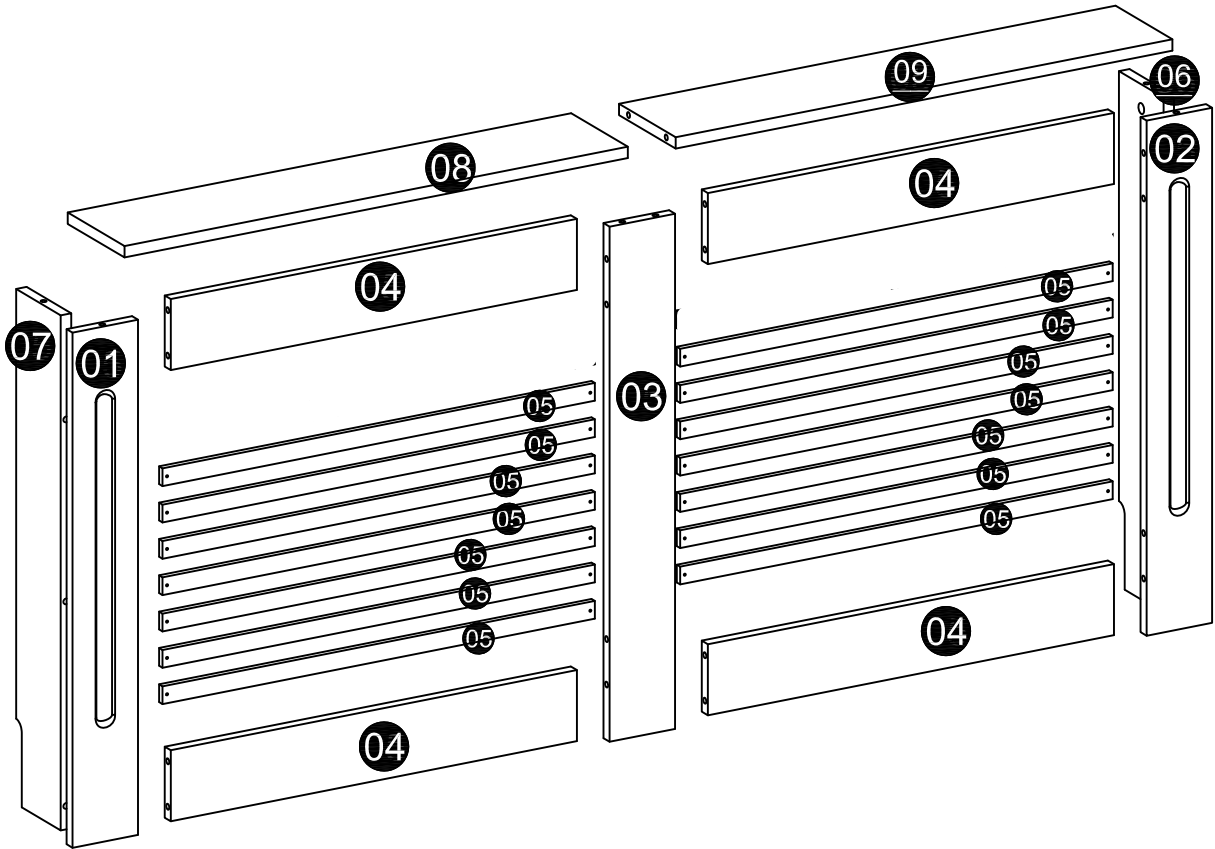
Please keep your original packages, due to the health and safety reasons, we can not accept returns without original packages.

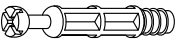


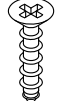
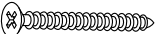

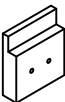
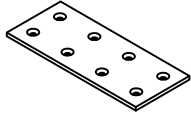
Need Two Or More People To Complete



Assemble Item On a Clean Flat Surface

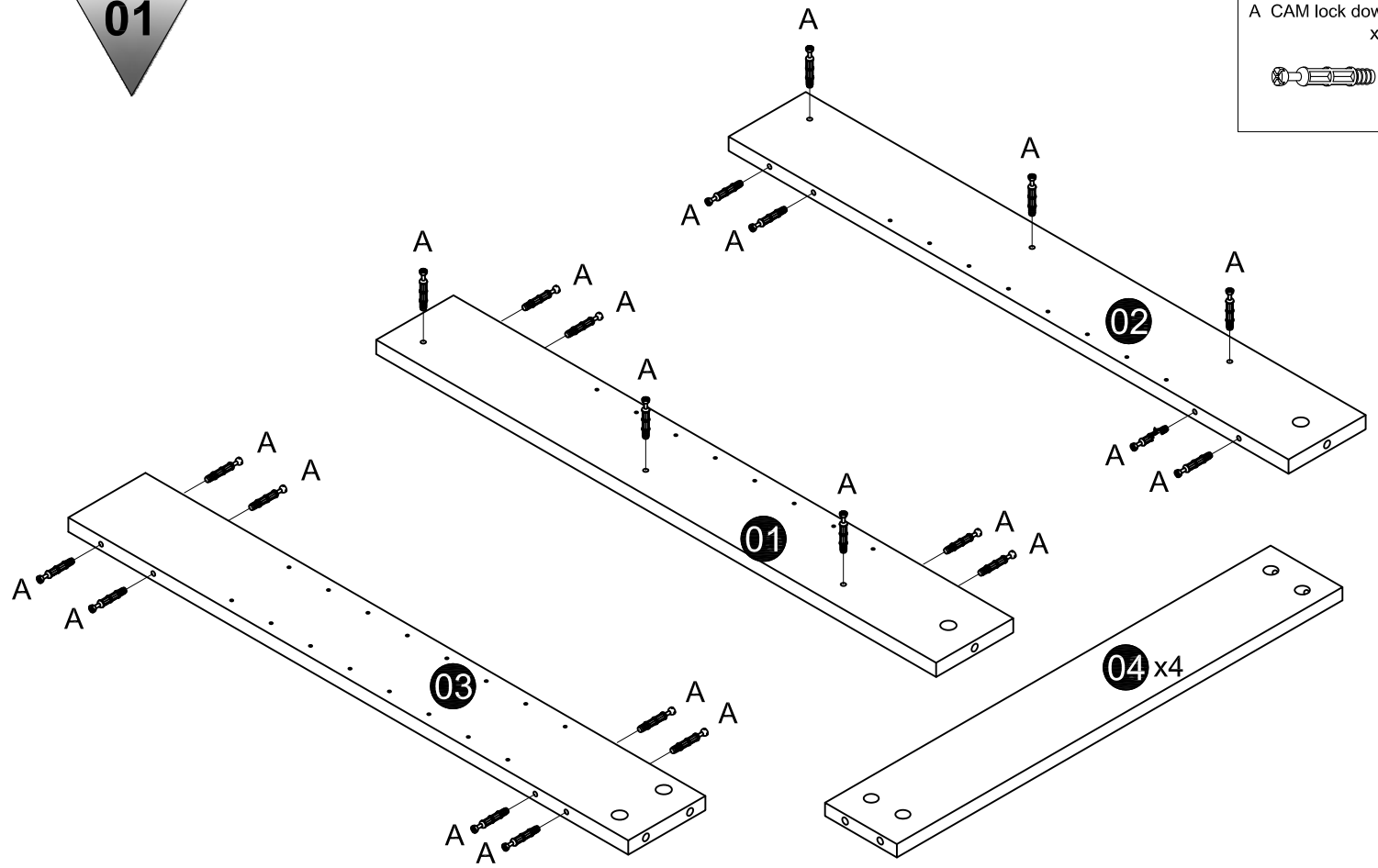




<p>A CAM lock dowel x30</p> 	<p>B CAM lock x30</p> 	<p>C Wood dowel x2</p> 	<p>D Screw x36</p> 	<p>E Screw x4</p> 
<p>F Wall anchor x4</p> 	<p>G Wood block x2</p> 	<p>H Iron sheet x1</p> 		

01

A CAM lock dowel
x22



02

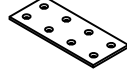
C Wood dowel x 2



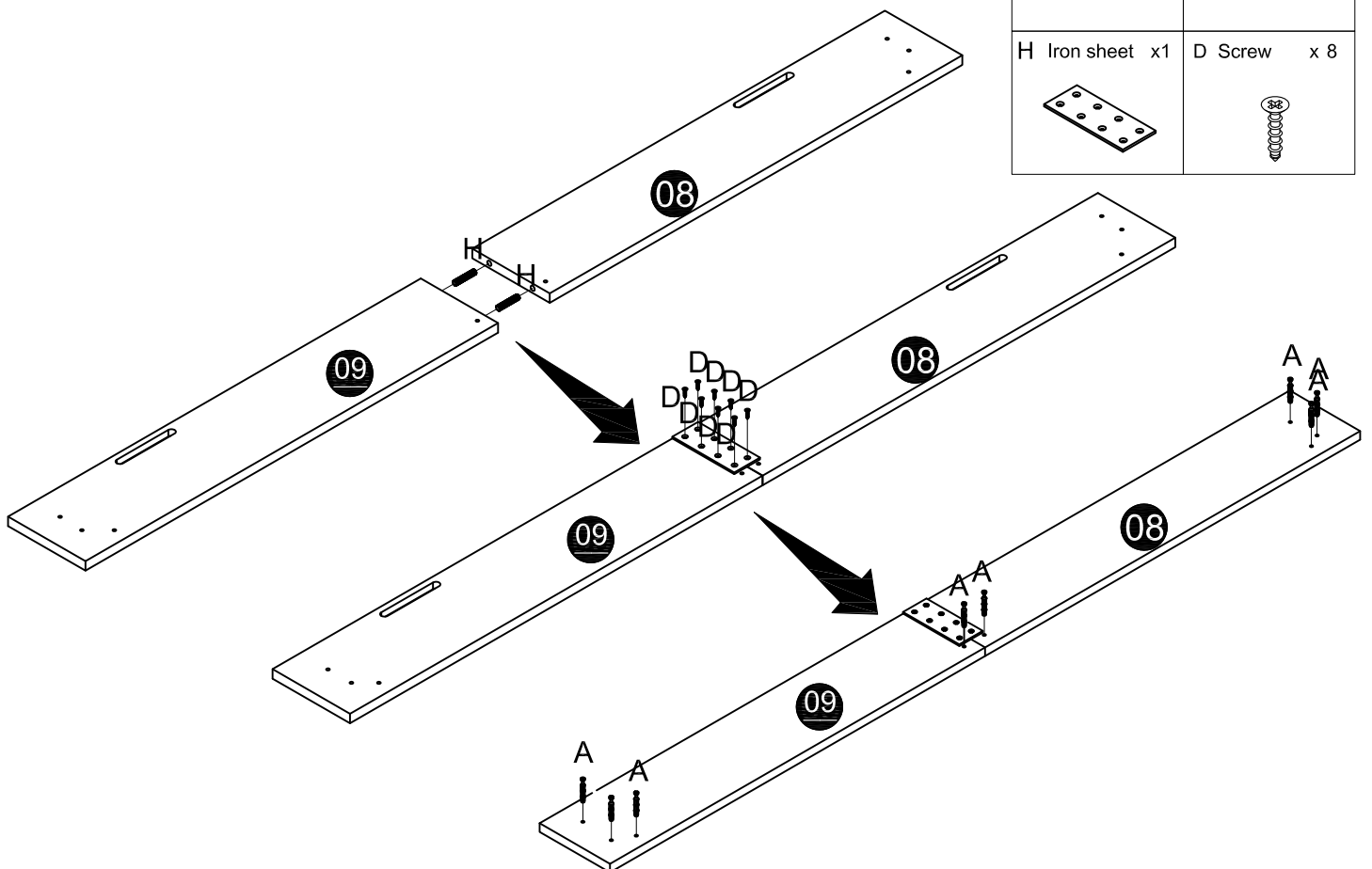
A CAM lock dowel
x 8



H Iron sheet x1

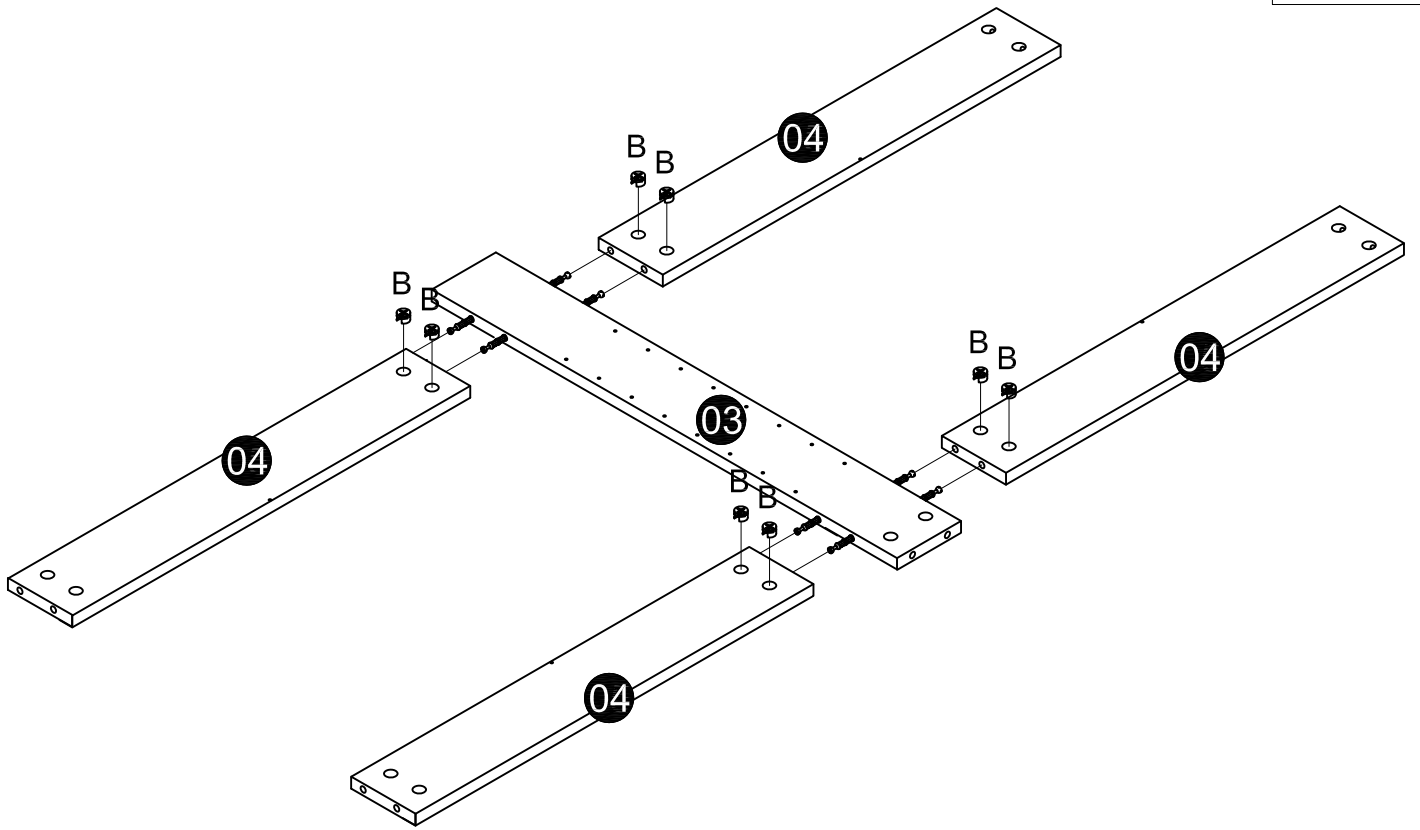


D Screw x 8



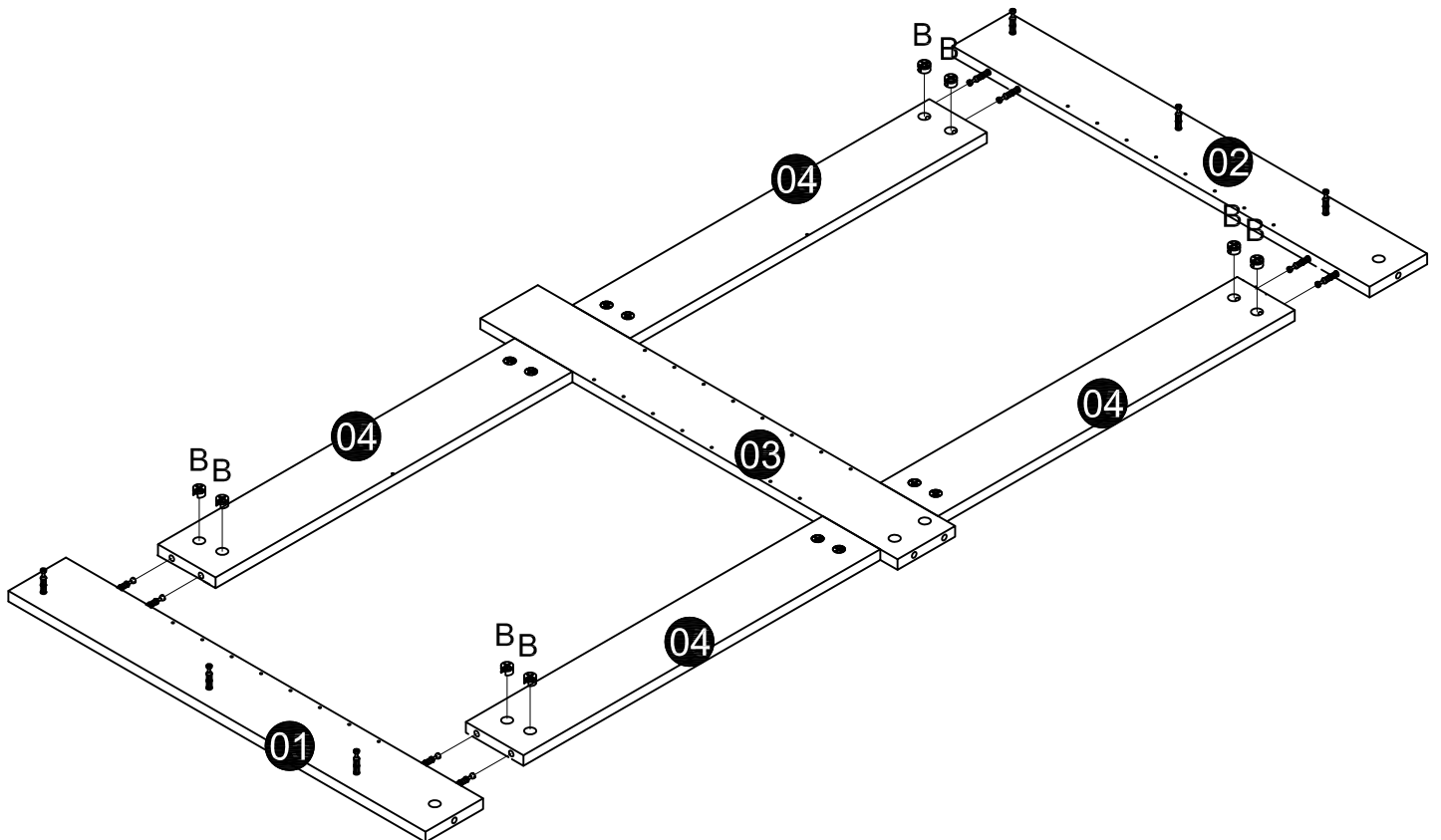
03

B CAM lock x 8



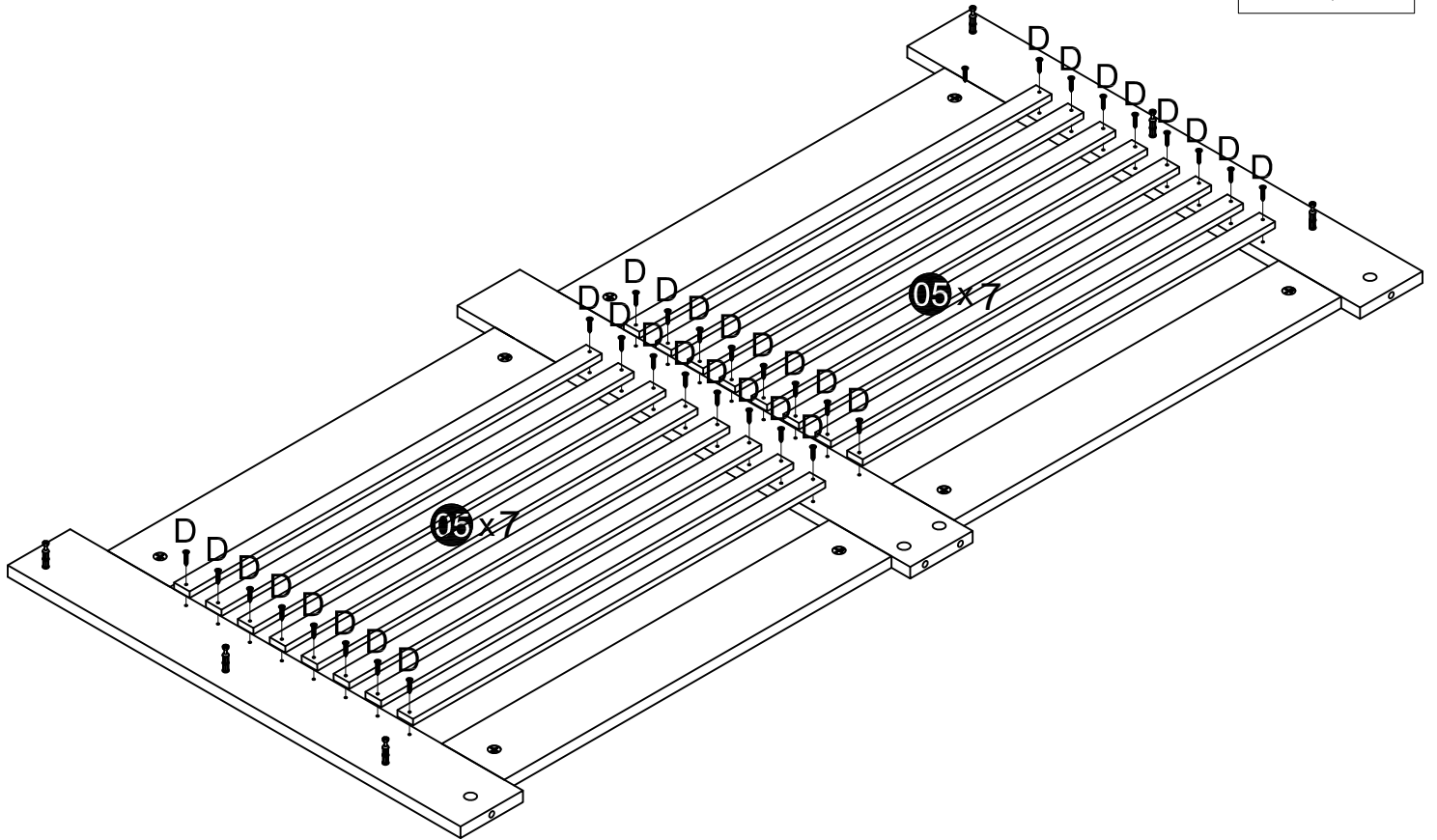
04

B CAM lock x 8



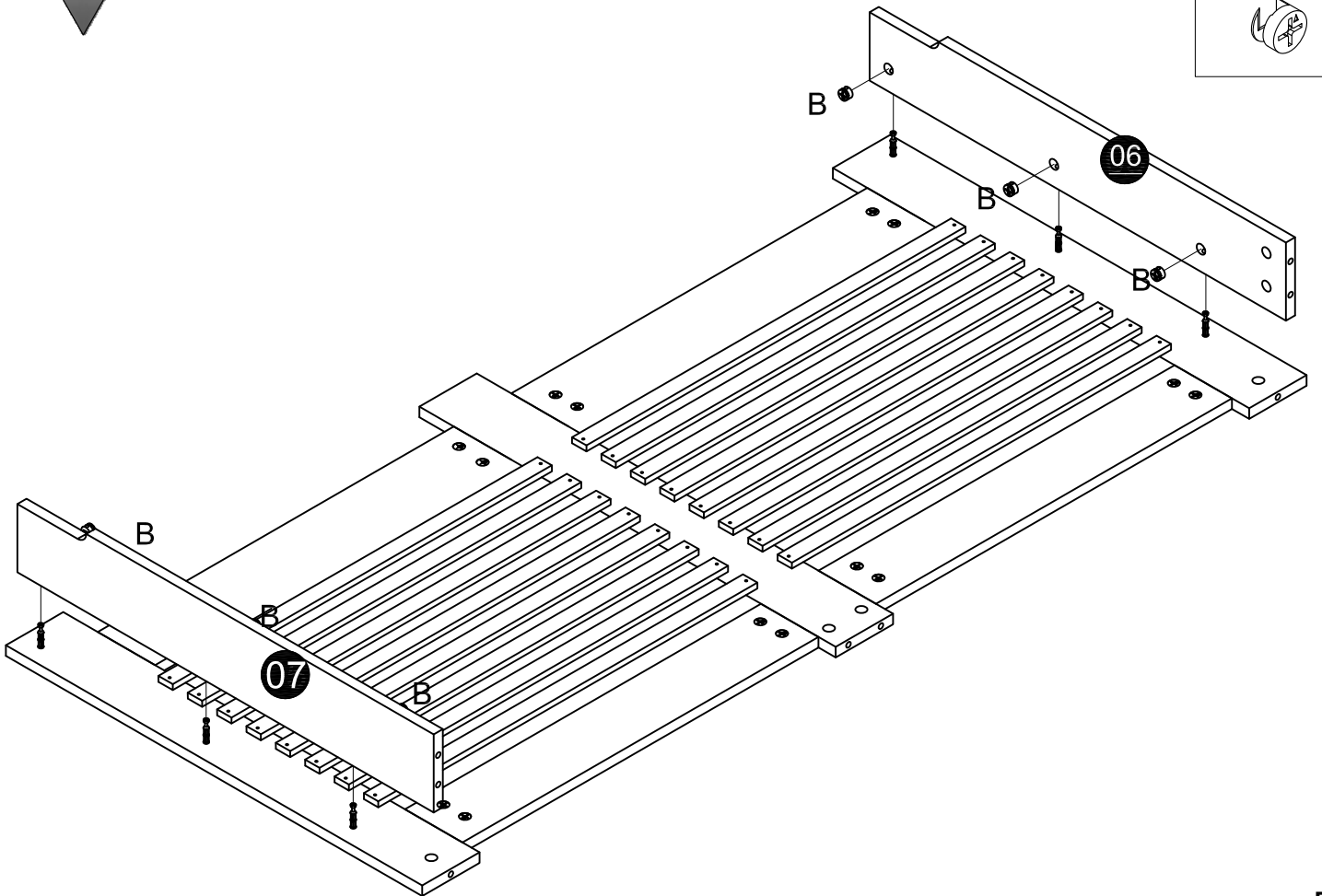
05

D Screw x28



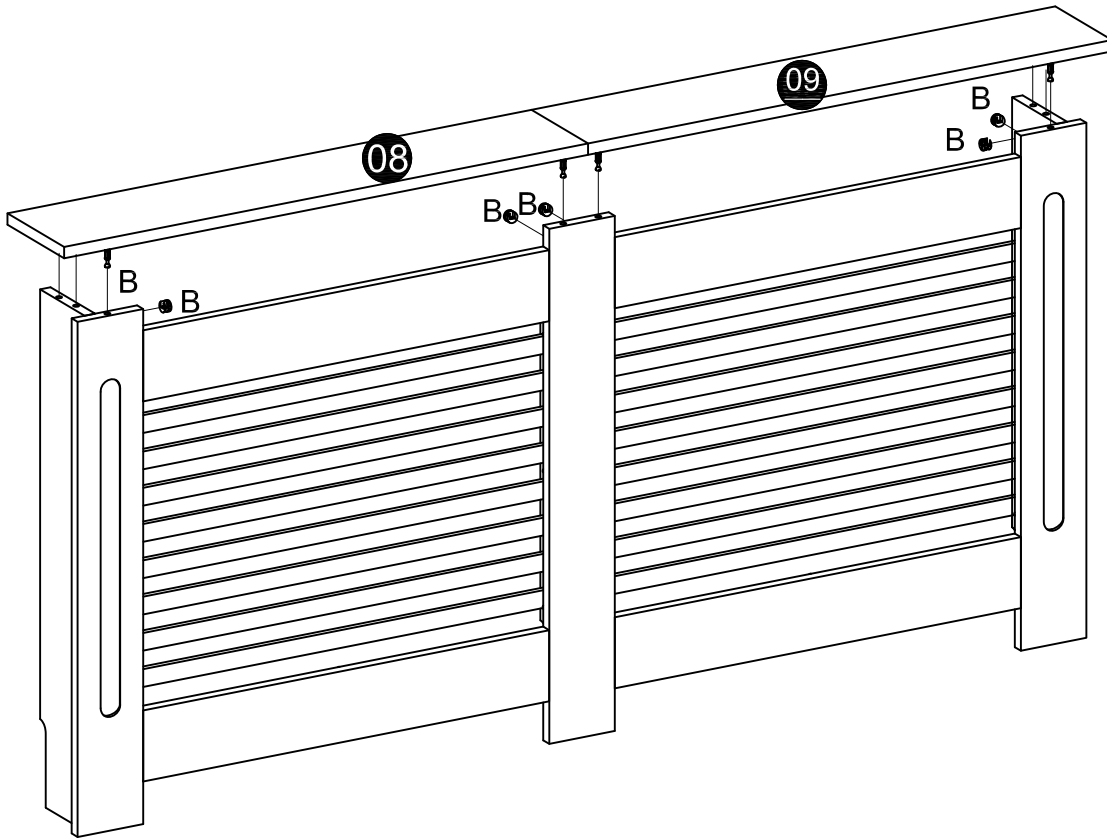
06

B CAM lock x6

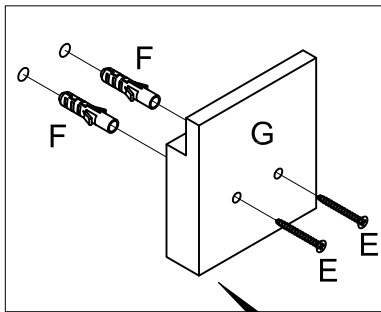


07

B CAM lock x 8



08



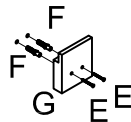
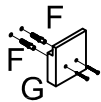
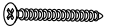
F Anti-falling accessory x4



G Wood block x2



E Screw x4



09

