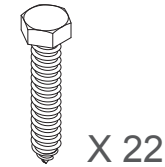
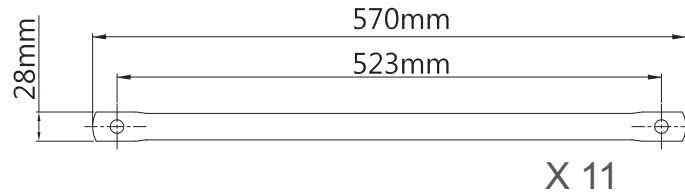


Installation Guide

Monkey Bar Kit (set of 11) (SSS-0257-P)



Part List



Gloves



Safety Glasses



Dia 6.5 mm
Drill

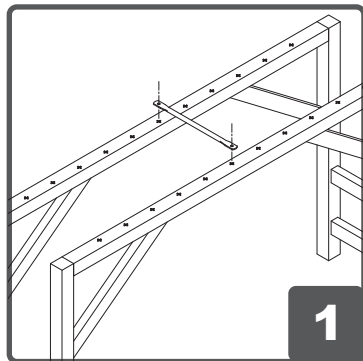


Electric Drill

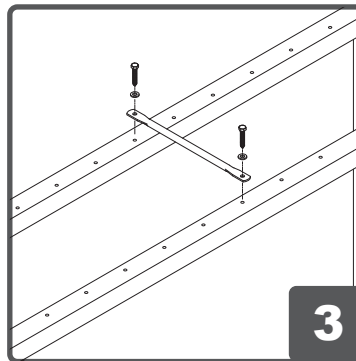


Ratchet

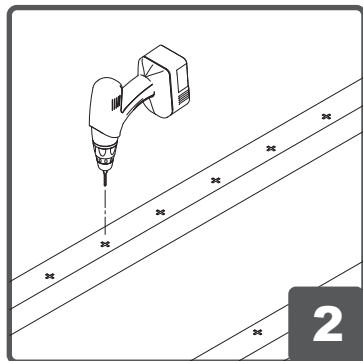
Tools



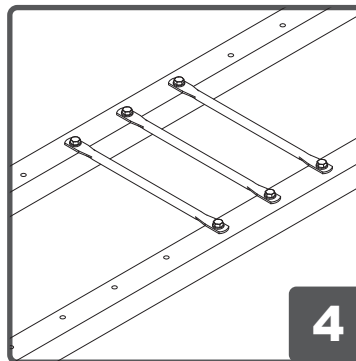
Place the Monkey Bar to the board and mark the 2 holes in the base for predrilling.



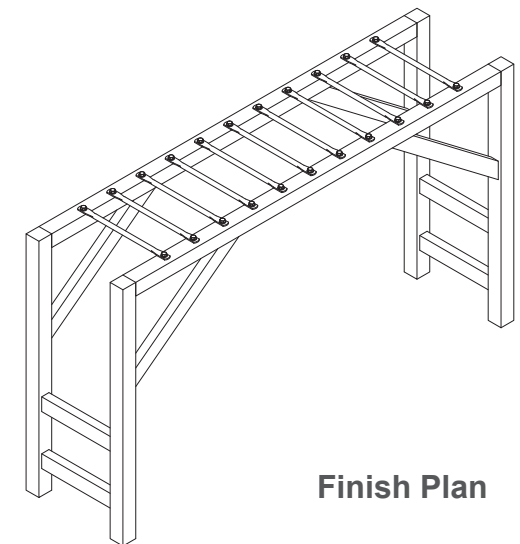
Place the Monkey Bar on the board and fasten with the included screws and washers.



Predrill 2 top holes to the board in depth 60mm.



Repeat the step 3 to complete the 11 set of Monkey Bars.



Children 4-5 years
Spacing of the bars/rungs should be more than 9" and no more than 12"
School age children
Spacing of the bars should be more than 9" and no more than 15"