
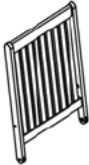



















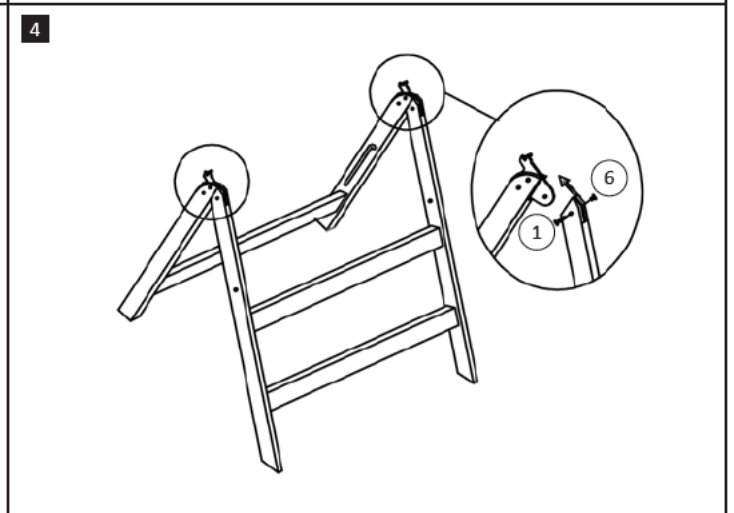
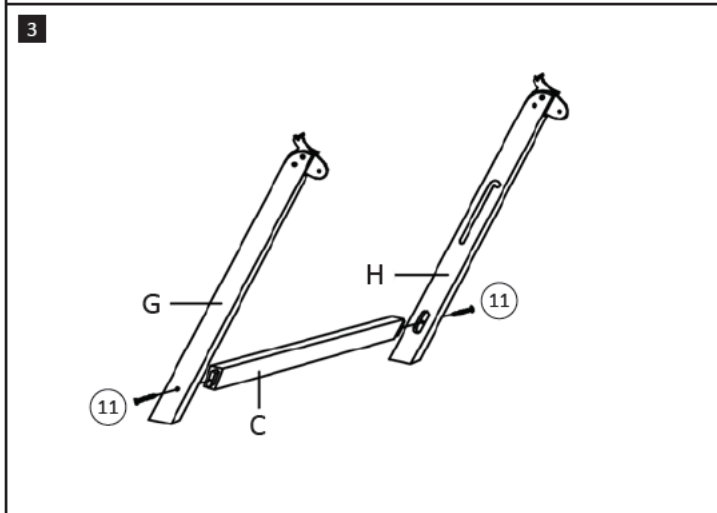
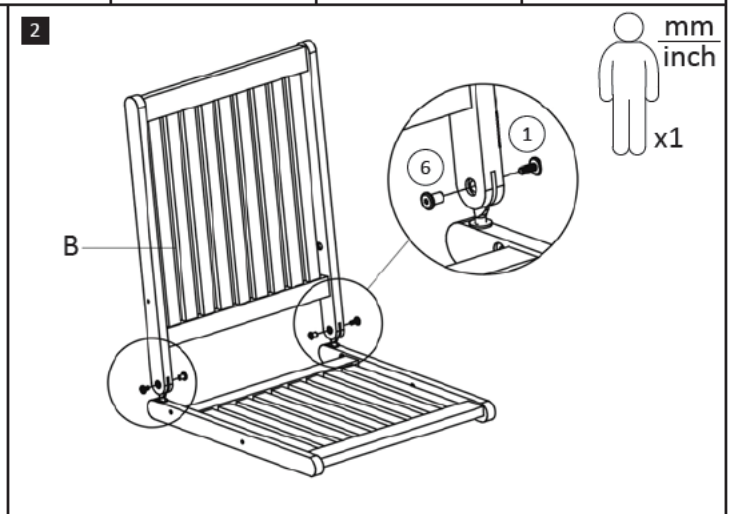
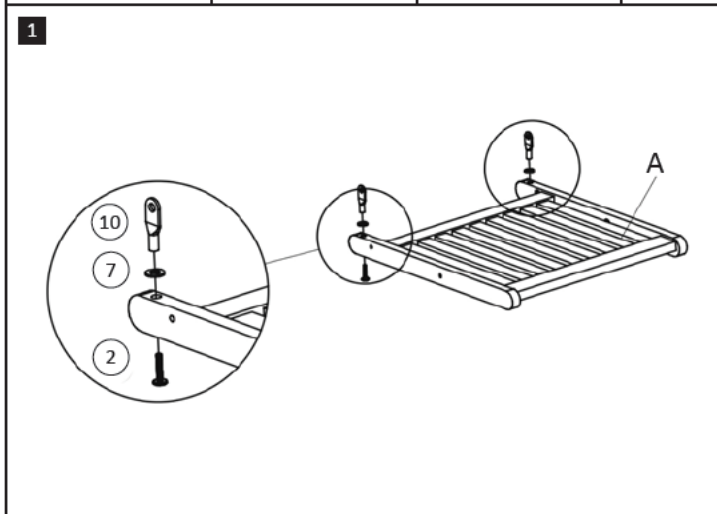
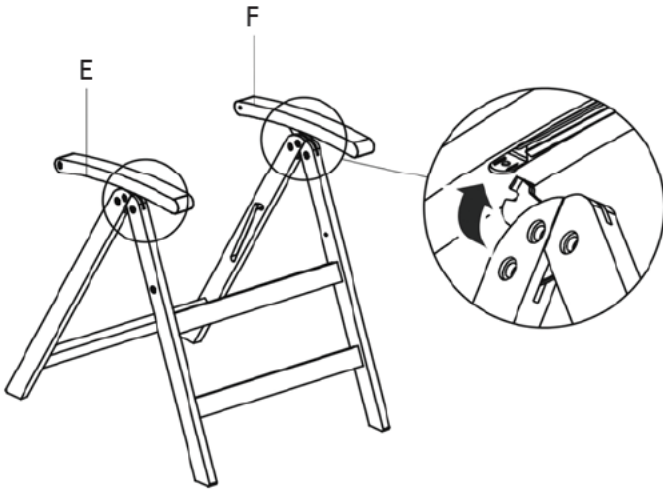


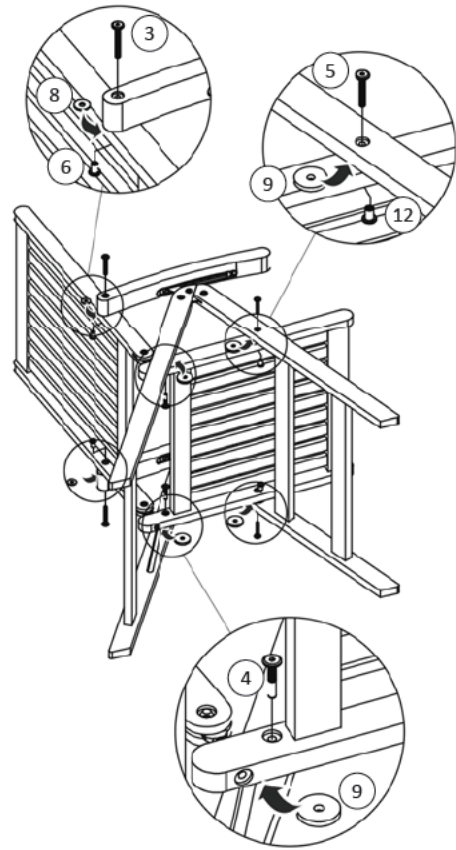
Ax1 	Bx1 	Cx1 	Dx1 	Ex1 	Fx1 	Gx1 
Hx1 	① x4  $\frac{\Phi 6 \times 15}{0.2 \times 0.6}$	② x2  $\frac{\Phi 6 \times 35}{0.2 \times 1.4}$	③ x2  $\frac{\Phi 6 \times 55}{0.2 \times 2.2}$	④ x2  $\frac{\Phi 8 \times 40}{0.3 \times 1.6}$	⑤ x2  $\frac{\Phi 8 \times 40}{0.3 \times 1.6}$	⑥ x6  $\frac{\Phi 6 \times 13}{0.3 \times 0.5}$
⑦ x2  $\frac{\Phi 10 / 20 \times 2}{0.4 / 0.8 \times 0.08}$	⑧ x2  $\frac{\Phi 6 / 20 \times 2}{0.2 / 0.8 \times 0.08}$	⑨ x4  $\frac{\Phi 8 / 35 \times 5}{0.3 / 1.4 \times 0.1}$	⑩ x2 	⑪ x2  $\frac{\Phi 6 \times 60}{0.2 \times 2.4}$	⑫ x2  $\frac{\Phi 8 \times 15}{0.3 \times 0.6}$	⑬ x2 



5



6



7

